

# United States Patent [19]

Pichelman et al.

[11] Patent Number: **Des. 275,617**

[45] Date of Patent: **\*\* Sep. 18, 1984**

[54] **SCARIFIER HOUSING**

[75] Inventors: **Franklin D. Pichelman**, Minnetonka;  
**Perry M. Domaas**, Brooklyn Center,  
both of Minn.

[73] Assignee: **Flo-Pac Corporation**, Minneapolis,  
Minn.

[\*\*] Term: **14 Years**

[21] Appl. No.: **412,087**

[22] Filed: **Aug. 27, 1982**

[52] U.S. Cl. .... **D32/25; D8/62**

[58] Field of Search ..... **D32/25, 31, 32;**  
**15/93 R, 104.13, 104.14, 236; D8/62**

[56] **References Cited**

### U.S. PATENT DOCUMENTS

2,706,304 4/1955 Demory ..... 15/93 R  
2,831,451 4/1958 May ..... 15/93 R

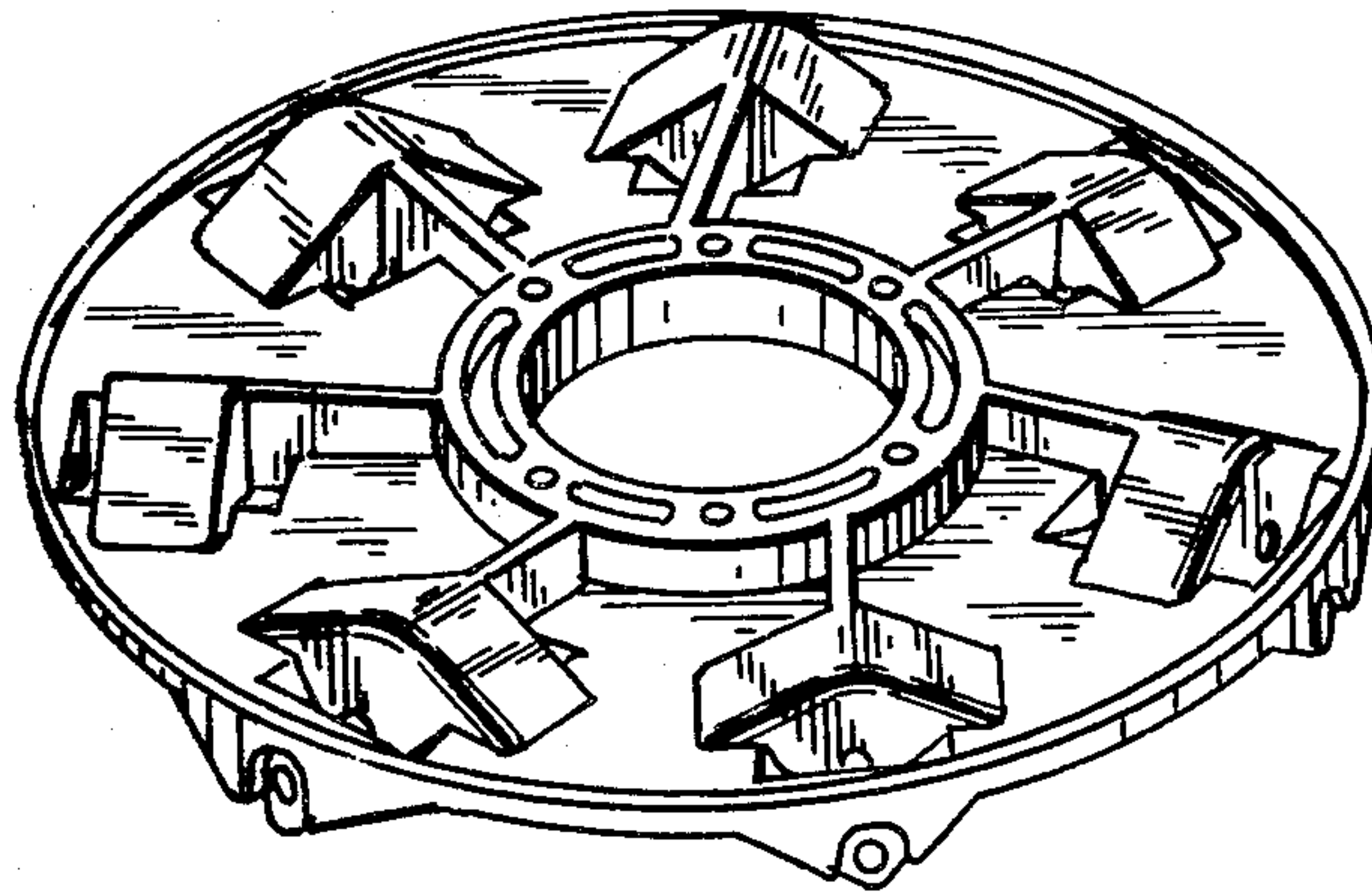
*Primary Examiner*—Wallace R. Burke  
*Assistant Examiner*—Lynn Wilder  
*Attorney, Agent, or Firm*—James R. Haller

[57] **CLAIM**

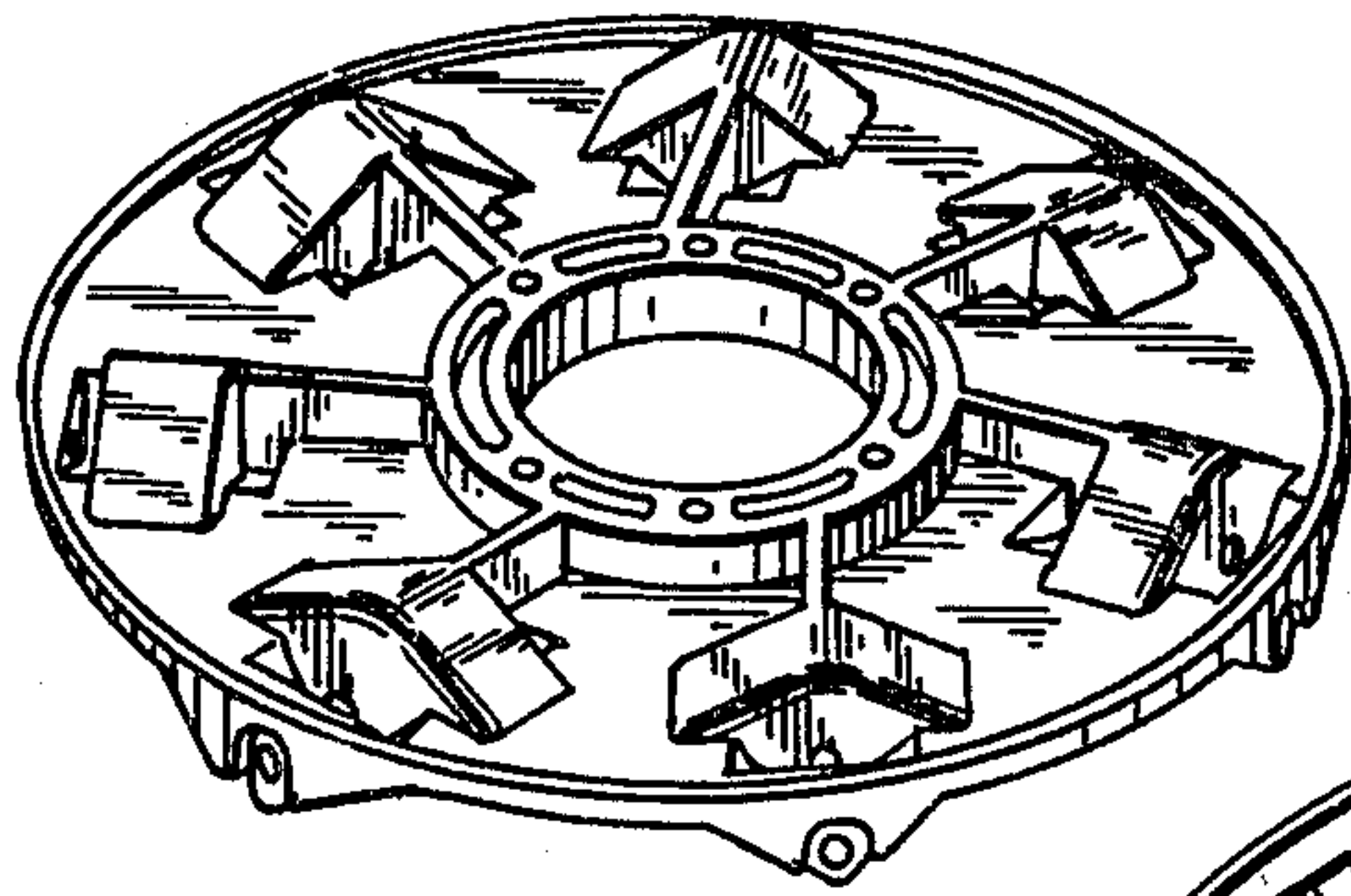
The ornamental design for a scarifier housing, as shown and described.

### DESCRIPTION

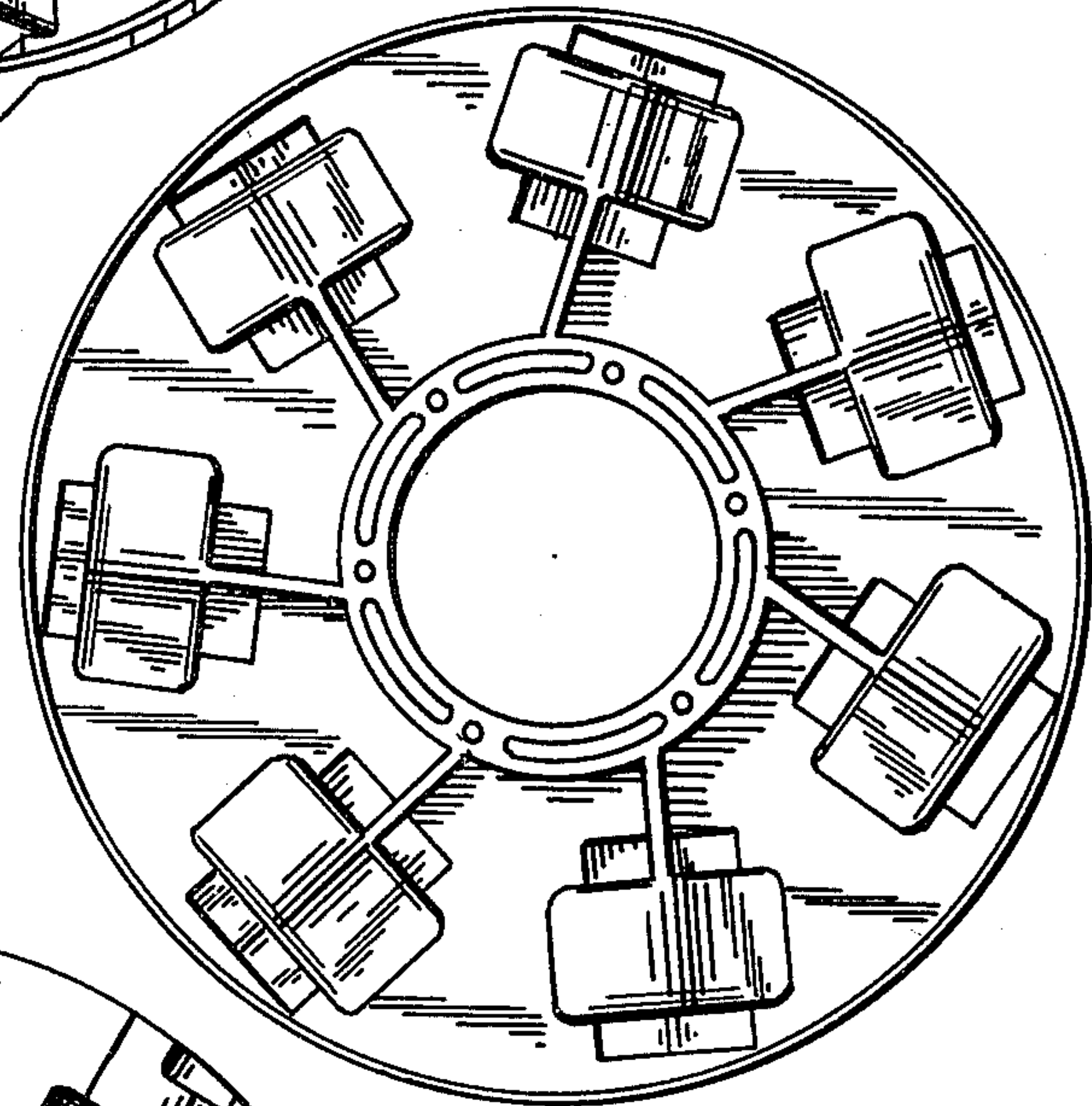
FIG. 1 is a perspective view of a scarifier housing showing our new design;  
FIG. 2 is a top plan view thereof;  
FIG. 3 is a bottom plan view thereof; and  
FIG. 4 is a side elevational view thereof.



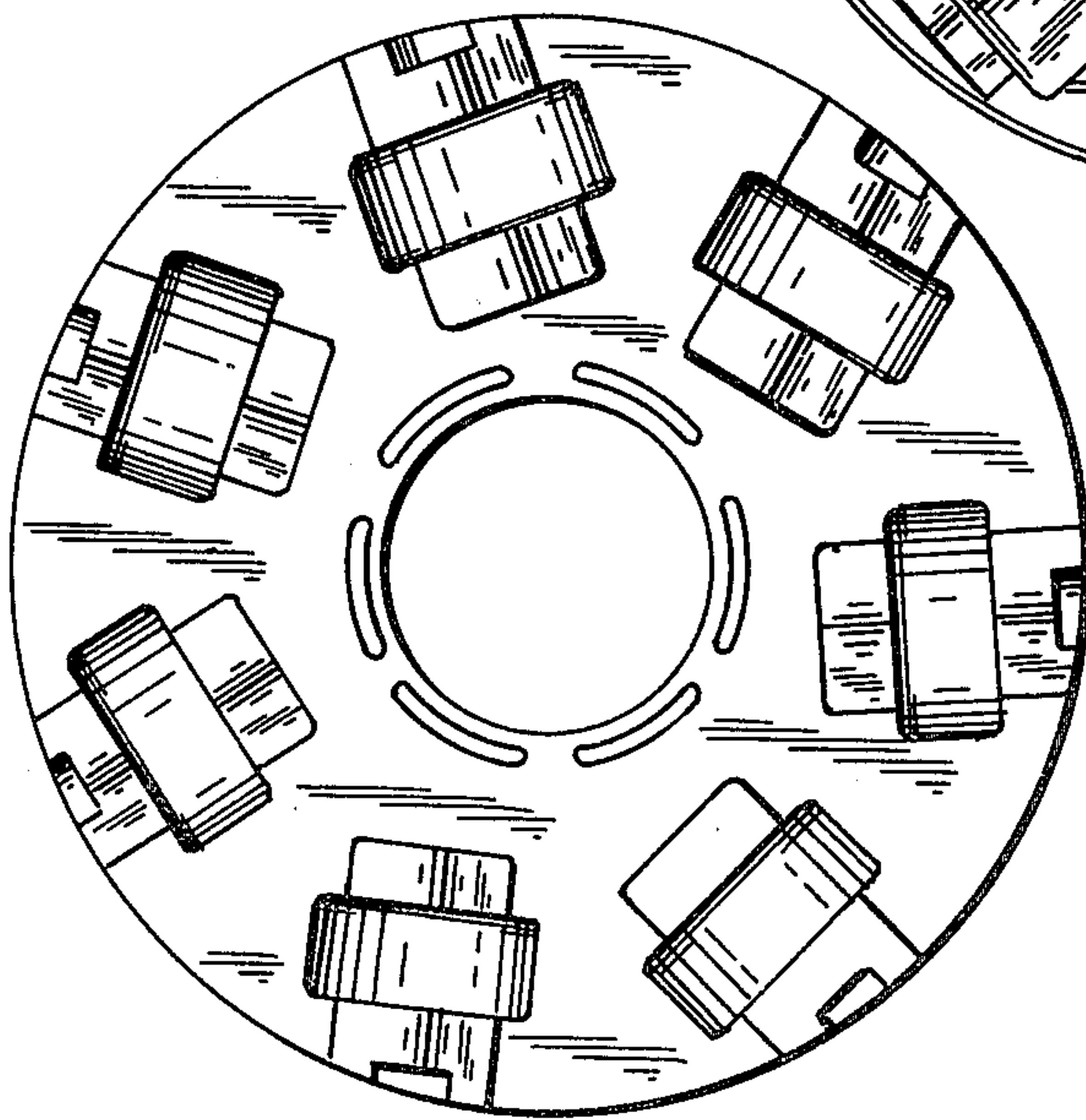
*Fig. 1*



*Fig. 2*



*Fig. 3*



*Fig. 4*

