

- [54] PHARMACEUTICAL TABLET
- [75] Inventor: Anthony B. J. Eoga, Boonton, N.J.
- [73] Assignee: Warner-Lambert Company, Morris Plains, N.J.
- [\*\*] Term: 14 Years
- [21] Appl. No.: 565,687
- [22] Filed: Dec. 27, 1983

D. 262,663	1/1982	Neu et al. ....	D28/2
D. 267,122	11/1982	Scohan et al. ....	D28/2
D. 269,720	7/1983	Tovey .....	D28/2
3,125,490	3/1964	Hershberg .....	D28/3

OTHER PUBLICATIONS

Identification Guide for Solid Dosage Forms; Hefferren, Sep.-Oct. 1959, pp. 125-131.  
 Principles of Table & Design; Mfg. Chemist & Mfg. Perfumers, Dec. 1946; article by Mitchell; p. 529.

Primary Examiner—Wallace R. Burke  
 Assistant Examiner—Horace B. Fay  
 Attorney, Agent, or Firm—Daniel A. Scola, Jr.; Gary M. Nath

Related U.S. Application Data

- [62] Division of Ser. No. 284,848, Jul. 20, 1981.
- [52] U.S. Cl. .... D28/2
- [58] Field of Search ..... D28/1, 2, 3, 8.1, 8.2; 424/14; D1/12

[57] CLAIM

The ornamental design for a pharmaceutical tablet, as shown and described.

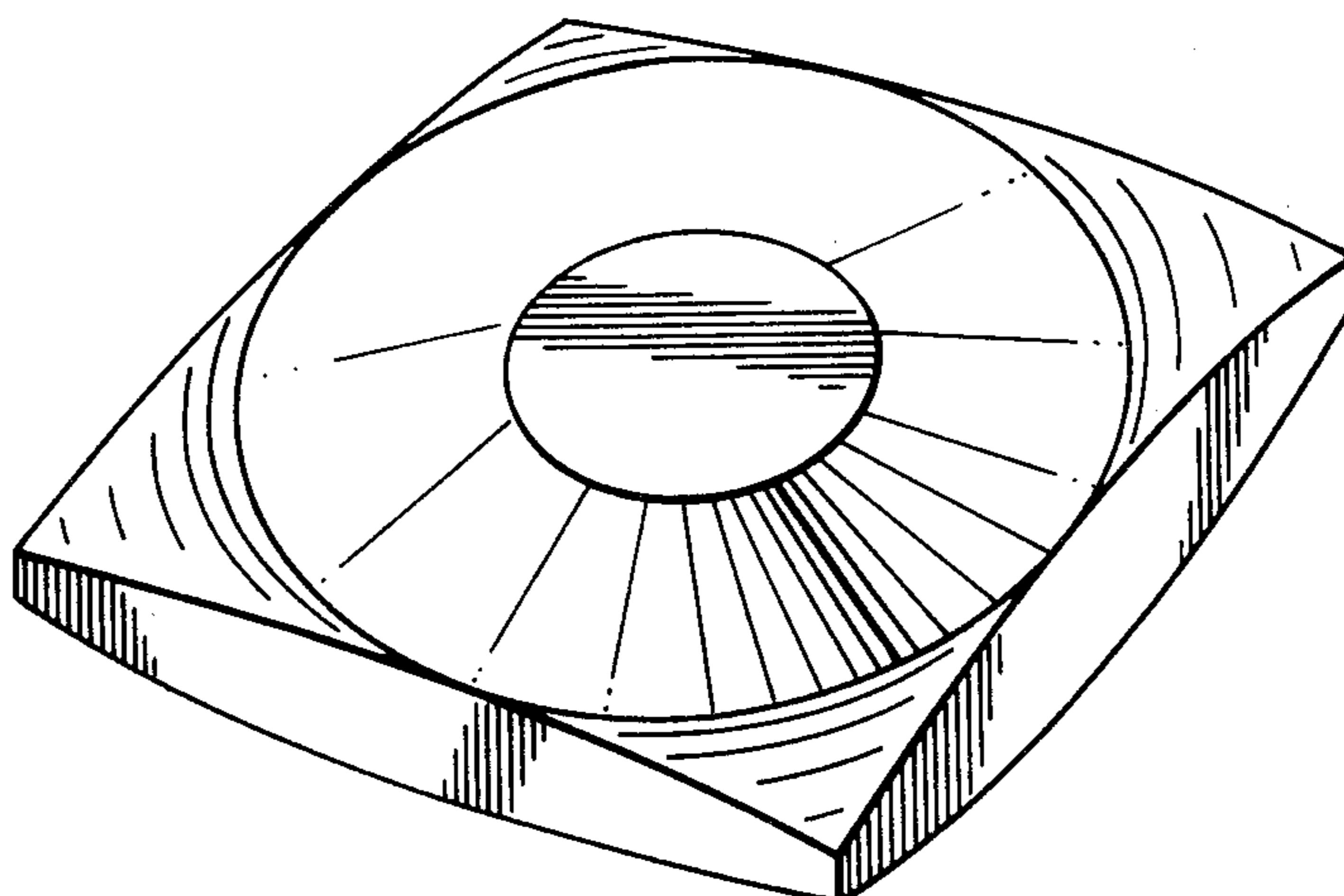
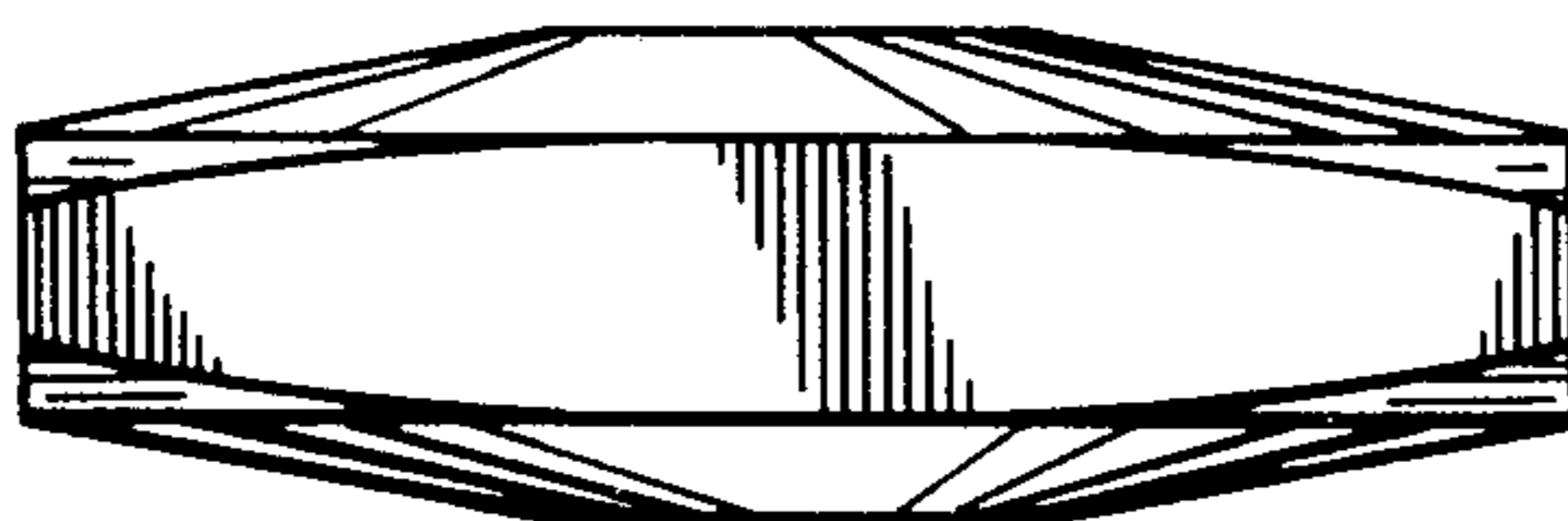
[56] References Cited

U.S. PATENT DOCUMENTS

5,408	12/1871	Baillairge .....	D28/2 X
D. 137,202	2/1944	Scott .....	D28/8.1
D. 172,112	5/1954	Shoemaker .....	D21/86
D. 176,500	1/1956	Boldt .....	D25/93
D. 223,759	6/1972	File .....	D28/2

DESCRIPTION

FIG. 1 is a plan view of both broad surfaces of my new design.  
 FIG. 2 is a side elevational view thereof.  
 FIG. 3 is a perspective view thereof.



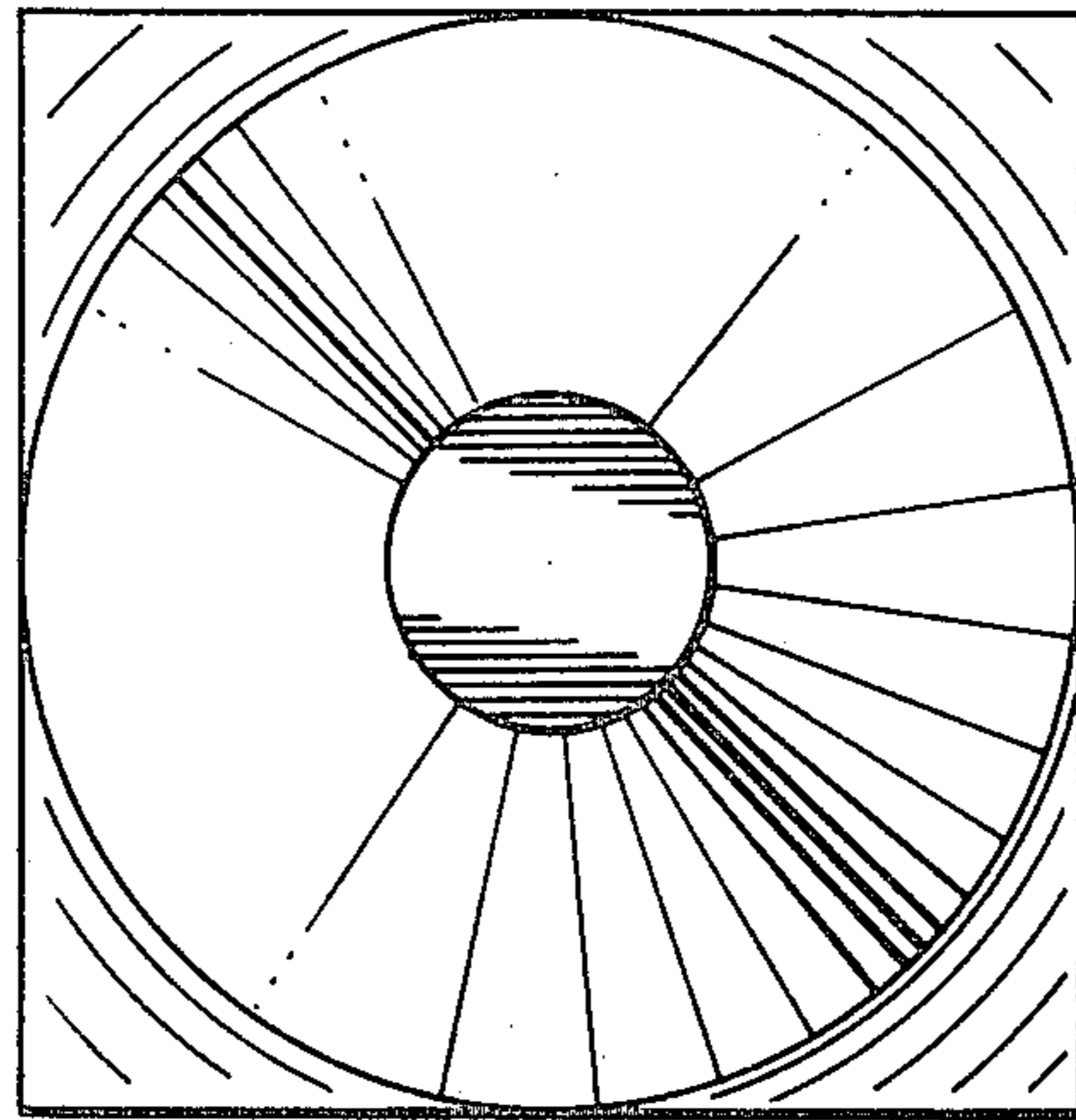


FIG. 1

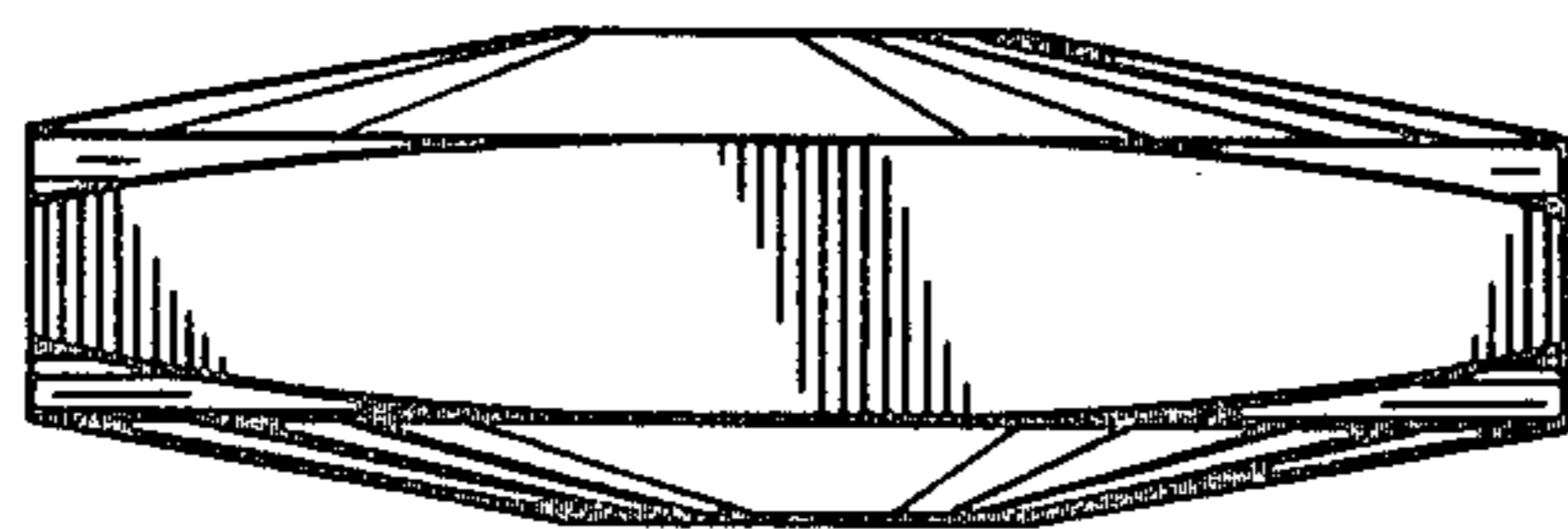


FIG. 2

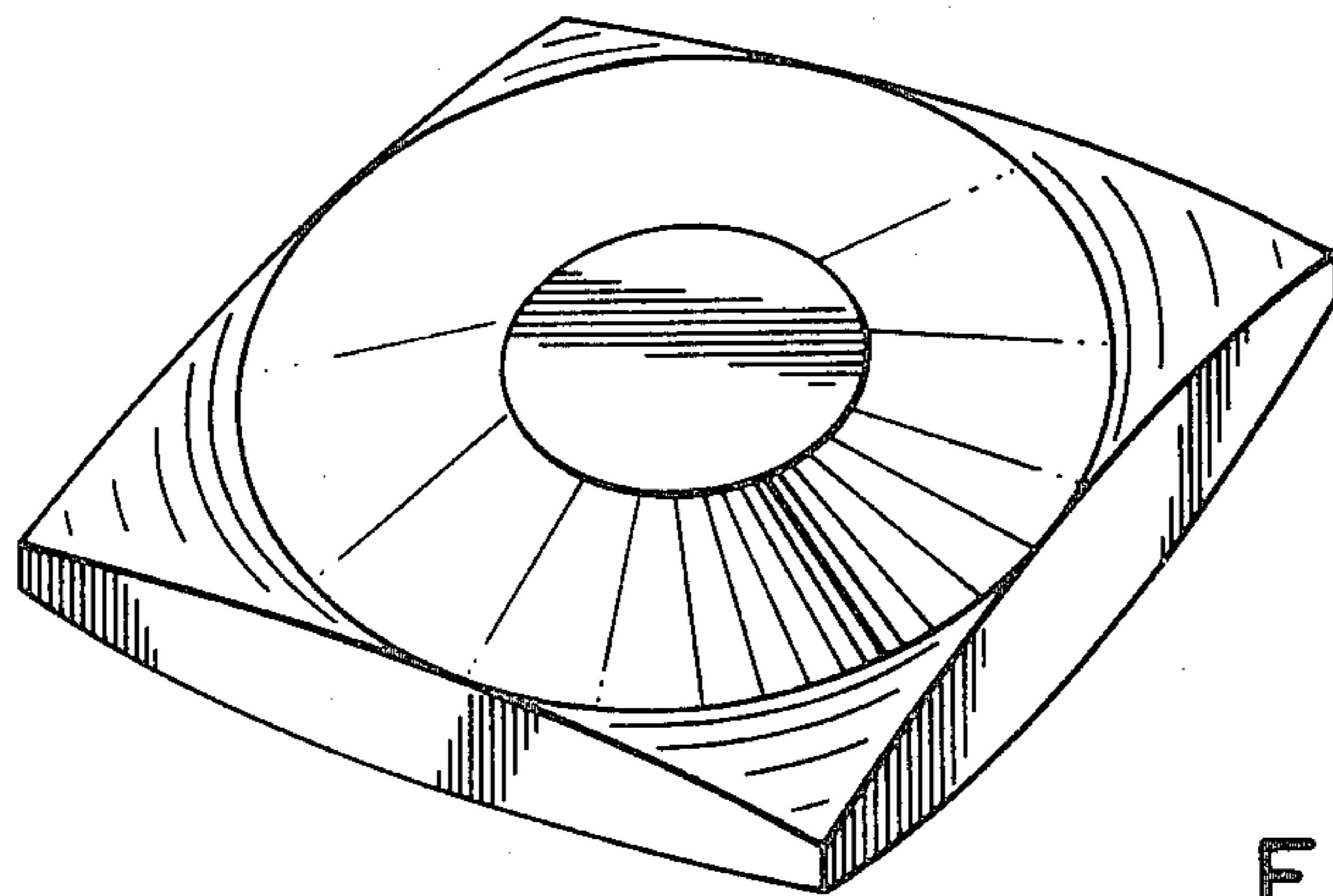


FIG. 3