

[54] HOUSING STRUCTURE EMPLOYING A CIRCULAR ARCH

[75] Inventor: Alma C. Robertshaw, Long Beach, Calif.

[73] Assignee: Domi-Cyl, Inc., Tustin, Calif.

[**] Term: 14 Years

[21] Appl. No.: 366,780

[22] Filed: Apr. 8, 1982

[52] U.S. Cl. D25/18

[58] Field of Search D25/17, 18, 19, 32, D25/33

[56] References Cited

U.S. PATENT DOCUMENTS

- D. 138,447 8/1944 Van Scoy et al. D25/17
- D. 152,968 3/1949 Hawlett D25/17
- 3,766,691 10/1973 Ray D25/19 X

Primary Examiner—A. Hugo Word

Attorney, Agent, or Firm—Fulwider, Patton, Rieber, Lee & Utecht

[57] CLAIM

The ornamental design for a housing structure, substantially as shown and described.

DESCRIPTION

FIG. 1 is a front perspective view, showing my new design;

FIG. 2 is an elevated plan view of the housing structure, shown in FIG. 1;

FIG. 3 is a right side elevational view of the housing structure as exposed and, shown in FIG. 1;

FIG. 4 is a left side elevational view of the housing structure, shown in FIG. 1;

FIG. 5 is a front, end elevational view of the housing structure, shown in FIG. 1; and

FIG. 6 is a rear, end elevational view of the housing structure, shown in FIG. 1.

FIG. 7 is a sectional view particularly showing one arch taken through lines 7—7 of FIG. 2.

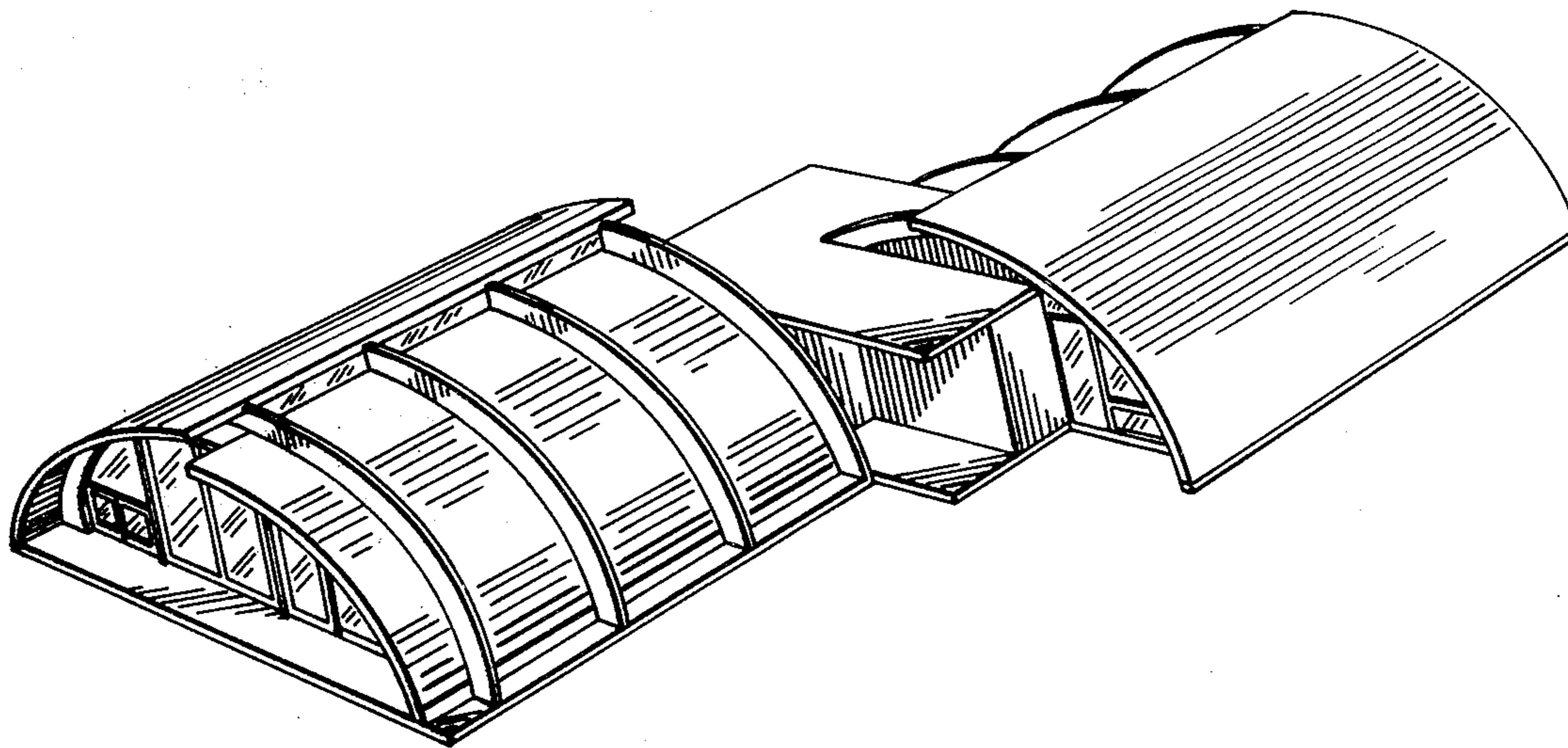


FIG. 1

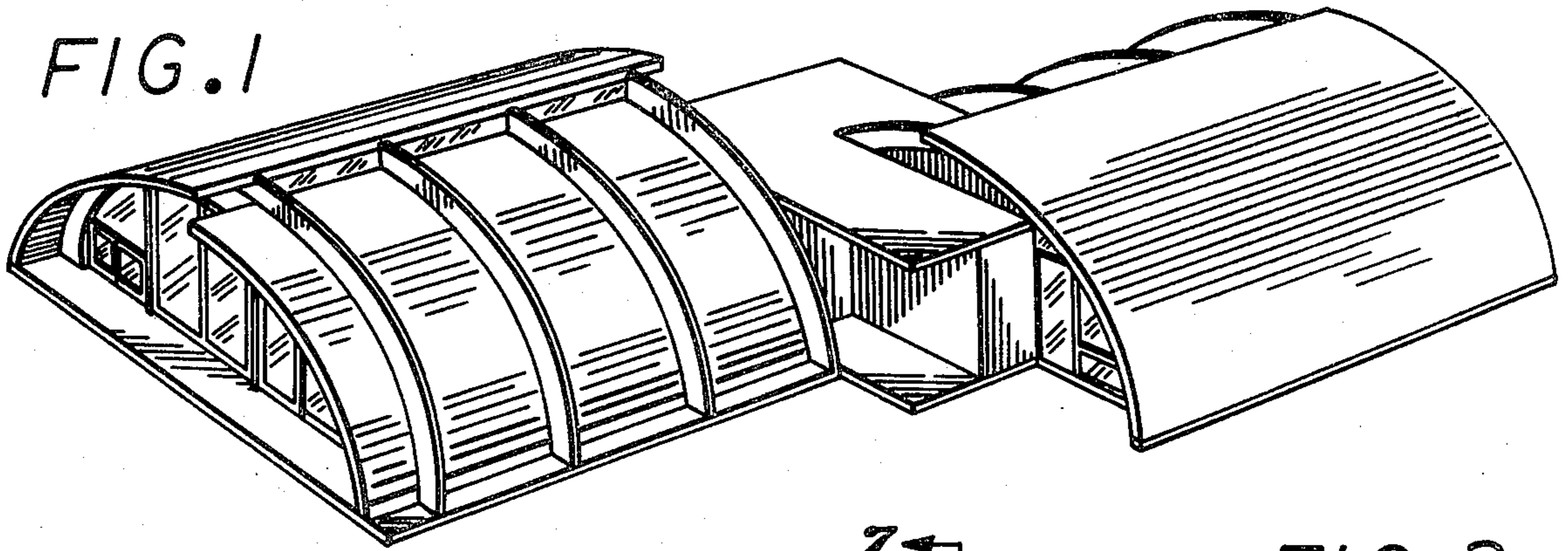


FIG. 2

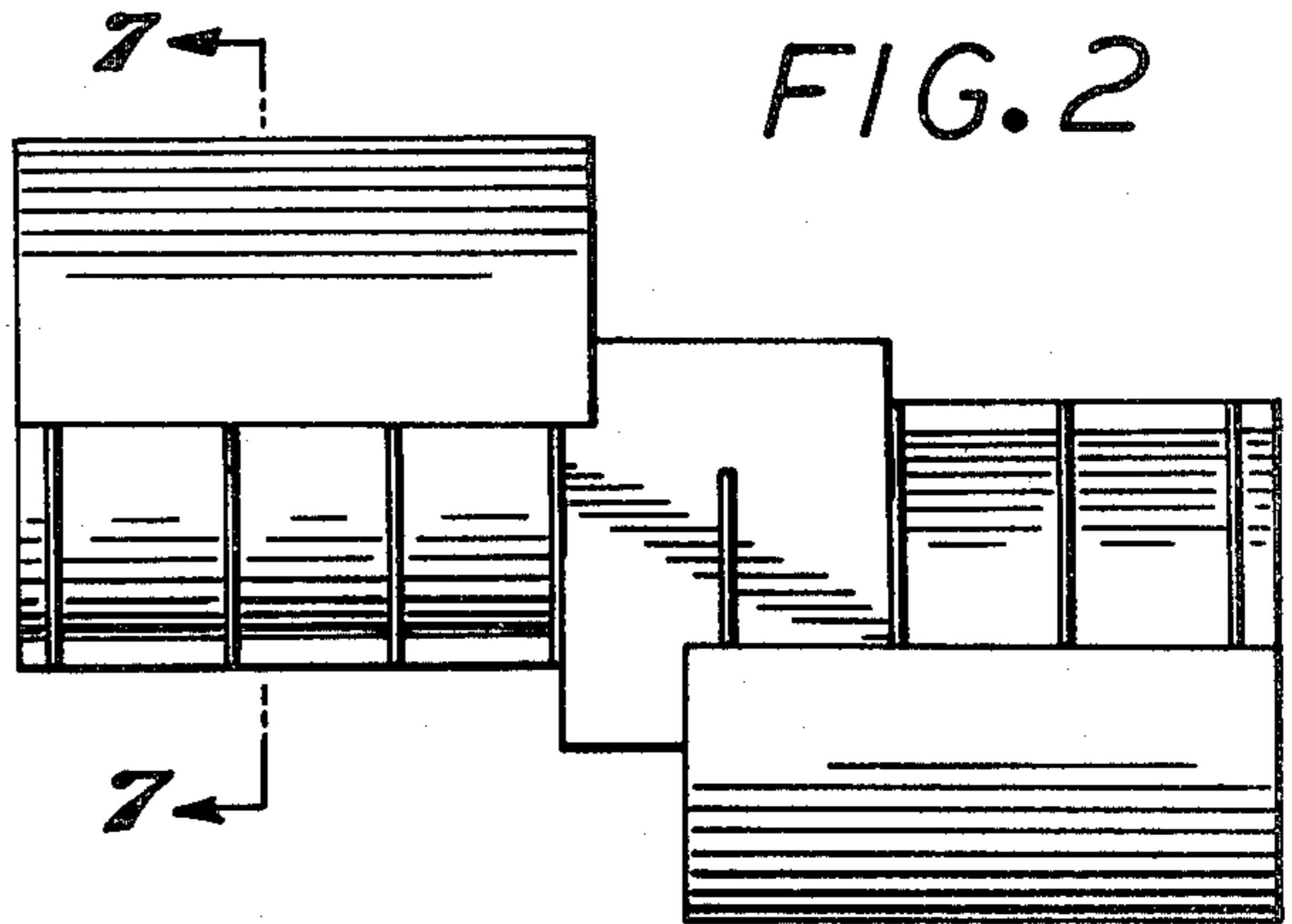


FIG. 3



FIG. 4



FIG. 5



FIG. 6

FIG. 7

