

[54] FIBERGLASS SWIMMING POOL

[76] Inventor: George P. Sullivan, 2201 3rd Ave.
No. 905, Seattle, Wash. 98121

[**] Term: 14 Years

[21] Appl. No.: 402,782

[22] Filed: Jul. 28, 1982

[52] U.S. Cl. D25/2

[58] Field of Search D25/2; 4/506; D24/30

[56] References Cited

U.S. PATENT DOCUMENTS

D. 181,044	9/1957	Eubanks, Jr.	D25/2
D. 203,386	1/1966	Vance	D25/2
D. 228,891	10/1973	Figueroa	D25/2
D. 244,939	7/1977	Harman	D25/2
3,086,220	4/1963	Zars	D25/2 X
3,811,137	5/1974	Schankler	4/506 X

Primary Examiner—A. Hugo Word
Attorney, Agent, or Firm—Hubbard & Stetina

[57] CLAIM

The ornamental design for a fiberglass swimming pool, as shown and described.

DESCRIPTION

FIG. 1 is a perspective view of the fiberglass swimming pool of the present invention;

FIG. 2 is a top plan view of the fiberglass swimming pool of the present invention;

FIG. 3 is a cross-sectional view of the fiberglass swimming pool of the present invention taken along lines 3—3 of FIG. 2;

FIG. 4 is a cross-sectional view of the fiberglass swimming pool of the present invention taken along lines 4—4 of FIG. 2; and

FIG. 5 is a cross-sectional view of the fiberglass swimming pool of the present invention taken about lines 5—5 of FIG. 2.

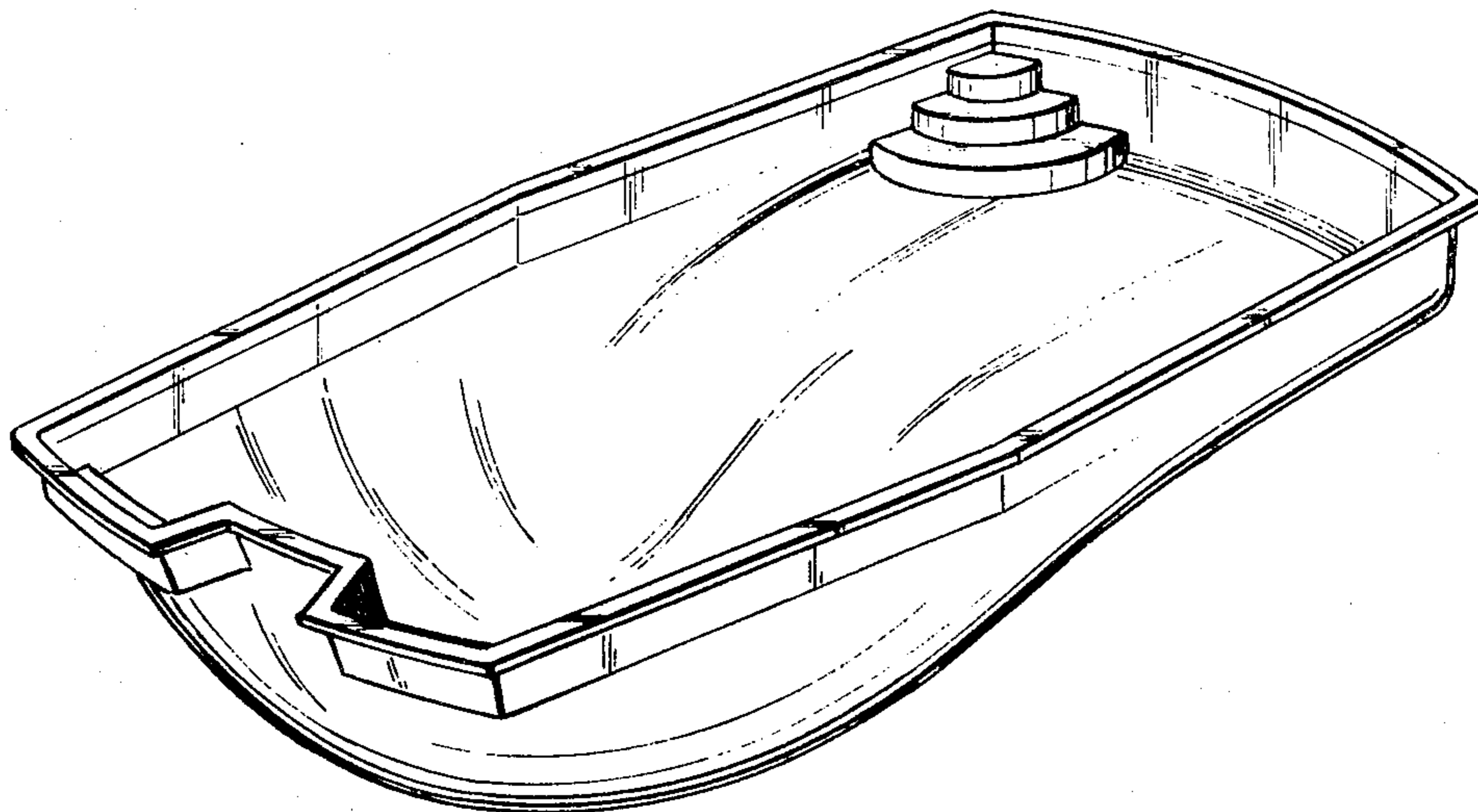


Fig. 1

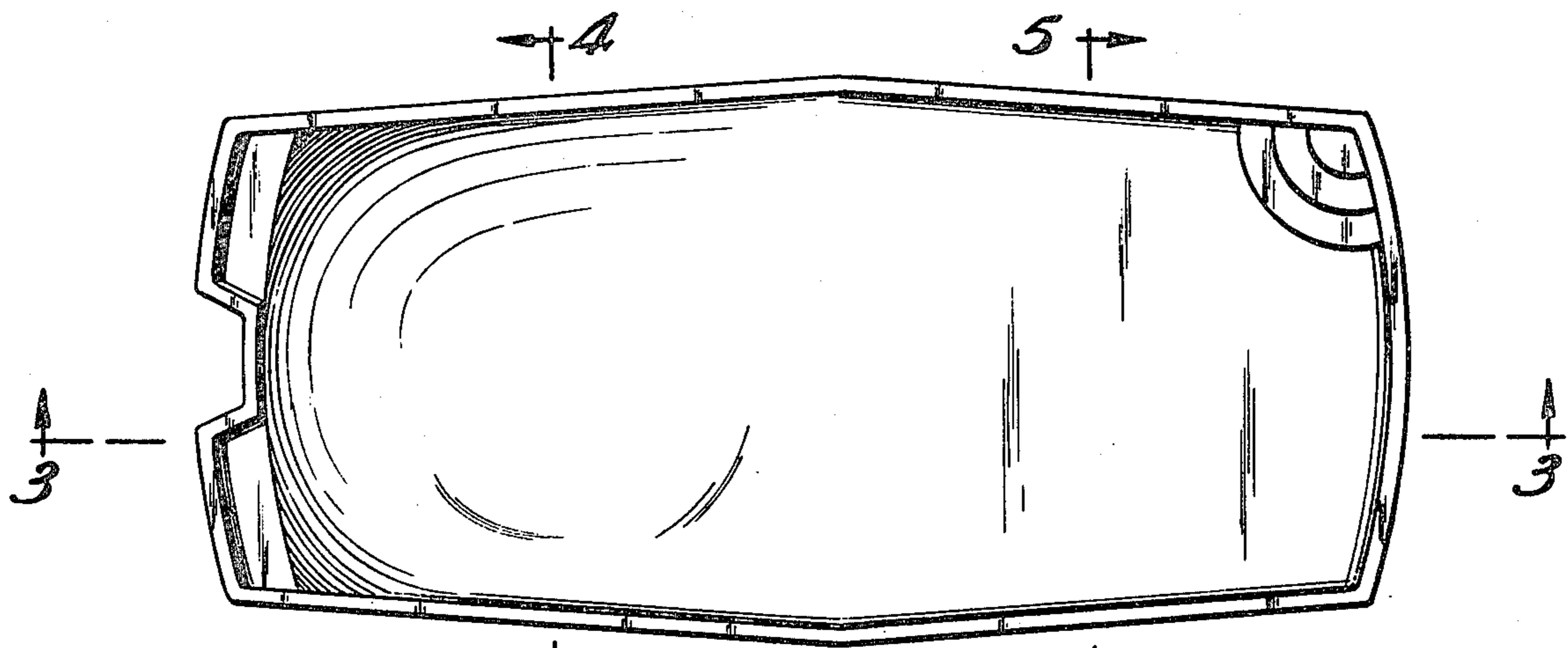
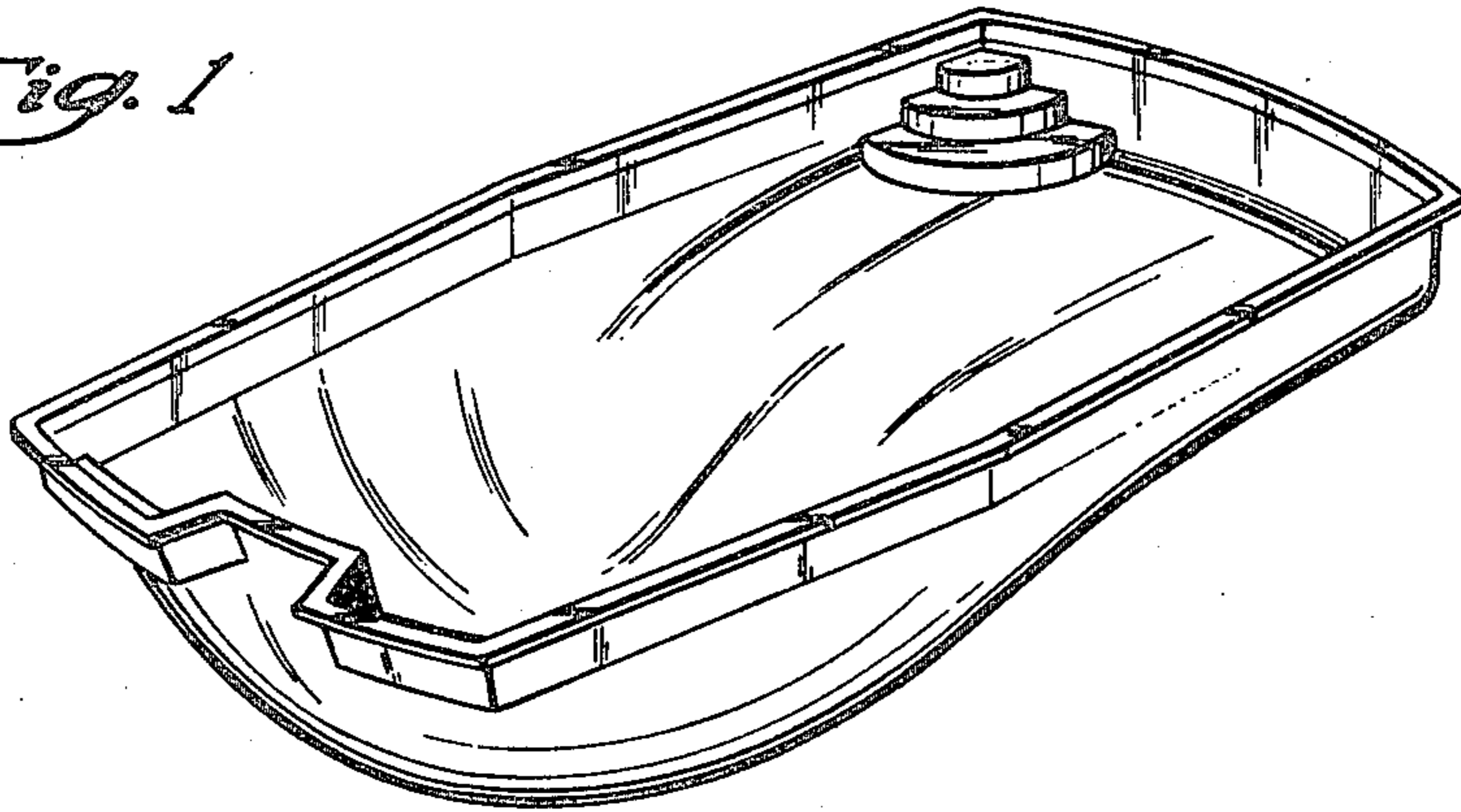


Fig. 2

Fig. 3

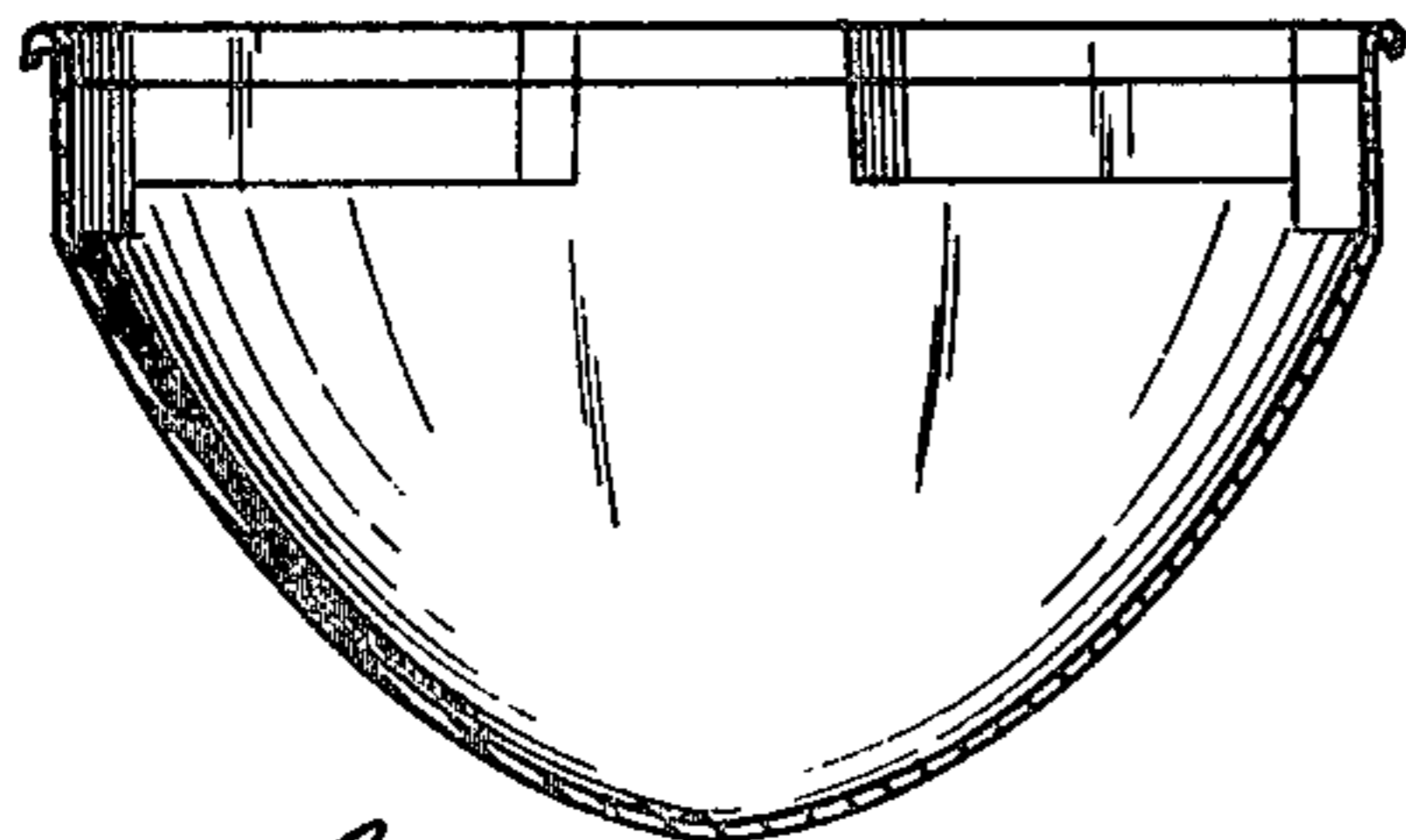
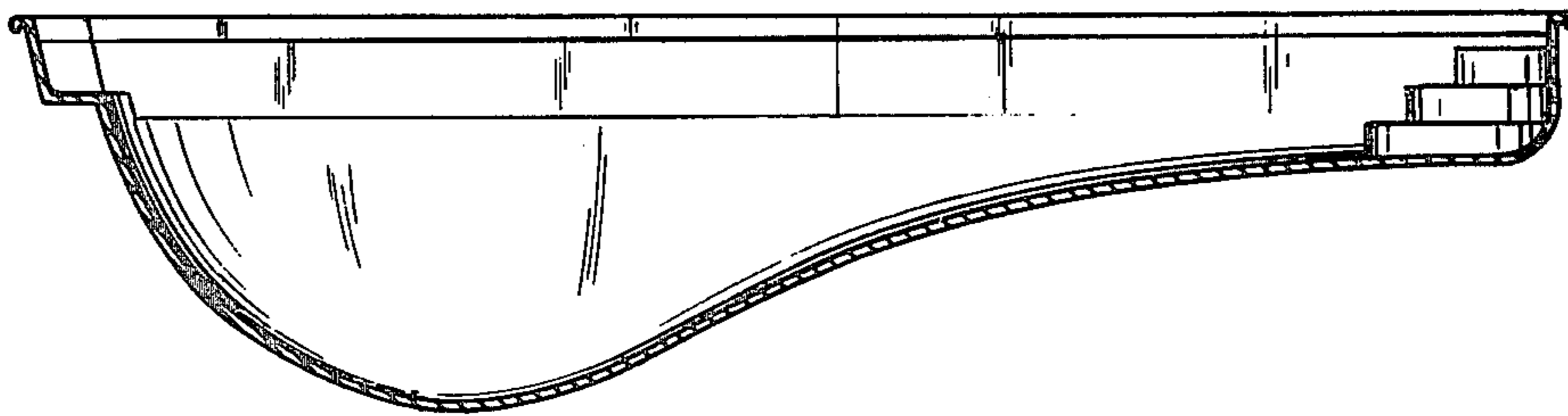


Fig. 4

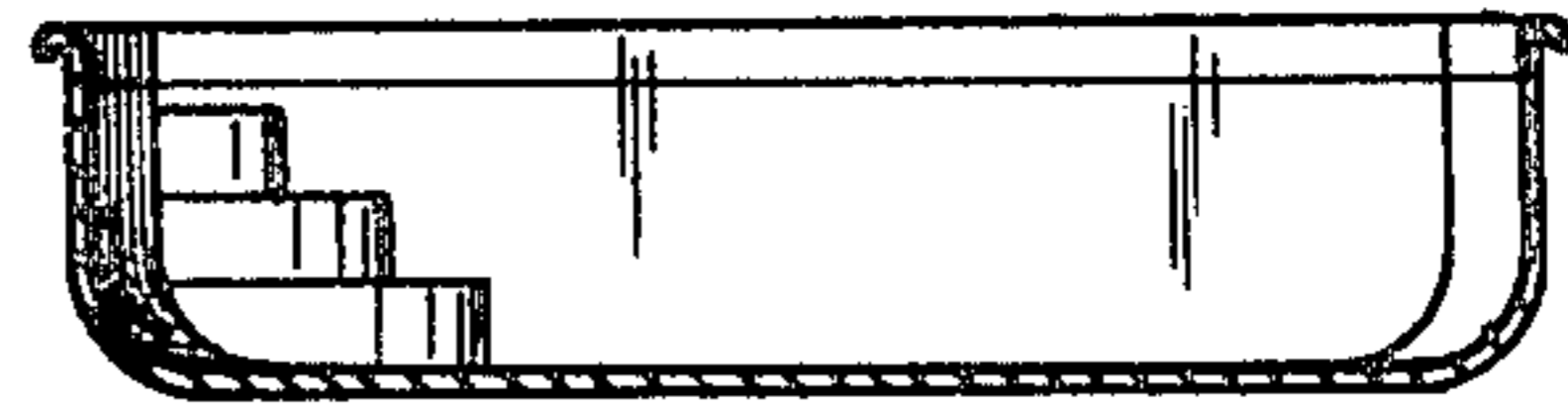


Fig. 5