

[54] **SPINE ALINING THERAPEUTIC DEVICE**  
[76] **Inventor: Robert J. Blackman, 1545 Franklin St., San Francisco, Calif. 94109**  
[\*\*] **Term: 14 Years**  
[21] **Appl. No.: 284,677**  
[22] **Filed: Jul. 20, 1981**  
[52] **U.S. Cl. .... D24/64; D24/36**  
[58] **Field of Search .... 128/68, 69; D24/36, D24/64; 128/11 R, 67, 78, 69; D24/36, 64**

4,207,878 6/1980 Ducan ..... 128/67  
4,230,099 10/1980 Richardson ..... 128/69  
4,270,235 6/1981 Gutmann ..... 128/68

**OTHER PUBLICATIONS**

Graphic Science and Design, French & Vierck, Third Edition ©1970, McGraw-Hill Inc., 744, 422 F-87 3rd Edition, p. 130, Fig. 5.85, Complex Object.

*Primary Examiner*—Bernard Ansher  
*Attorney, Agent, or Firm*—Alfons Puishes

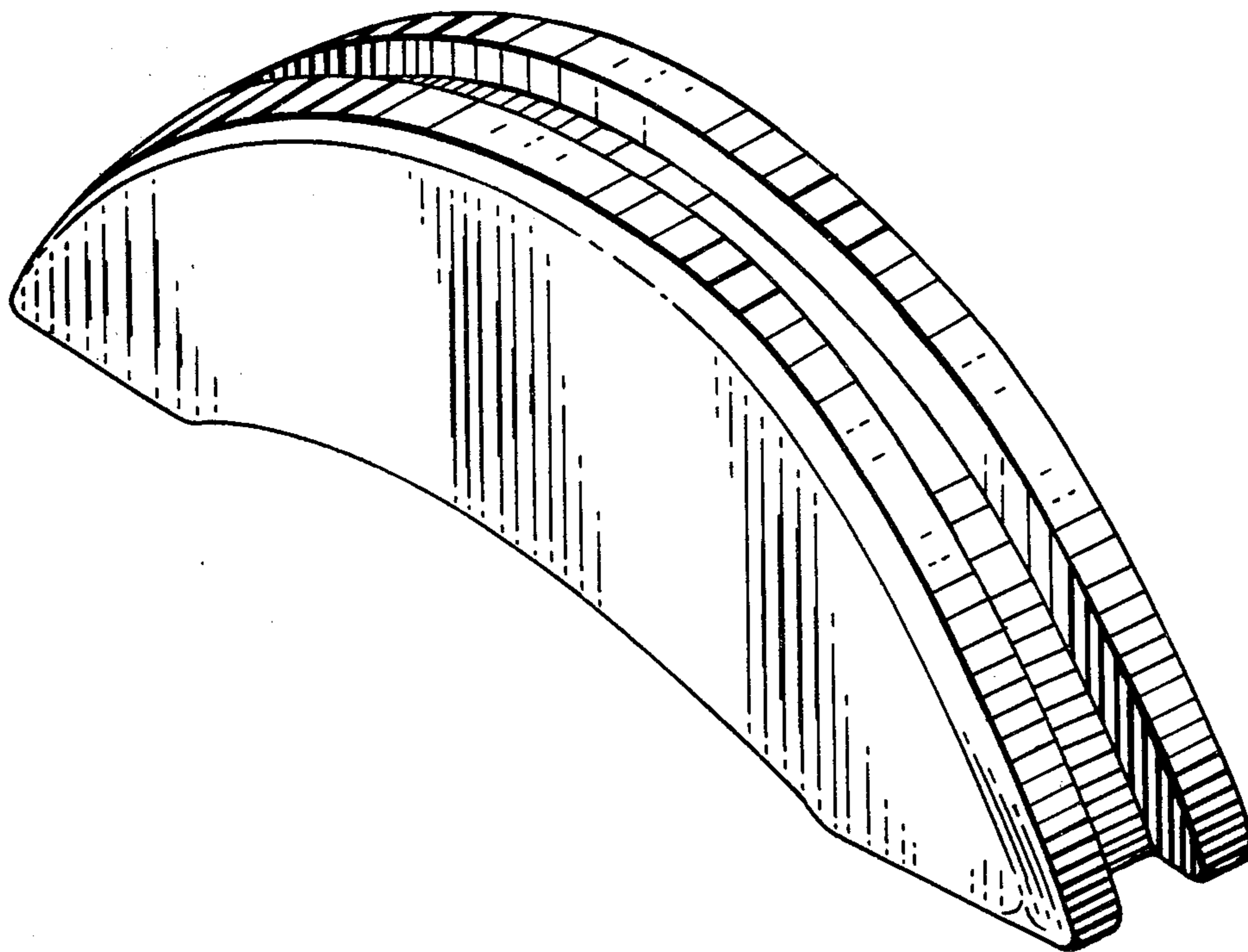
[56] **References Cited**  
**U.S. PATENT DOCUMENTS**

D. 251,985 5/1979 Martin ..... D24/64  
D. 256,535 8/1980 Martin ..... D24/64  
2,777,440 1/1957 Baker ..... 128/67 X  
2,854,971 10/1958 Williams ..... 128/69  
3,258,790 7/1966 Marv ..... 128/68  
4,114,612 9/1978 Benjamin ..... 128/69 X  
4,126,129 11/1978 Rainbow ..... 128/69 X

[57] **CLAIM**  
The ornamental design for a spine alining therapeutic device, as shown and described.

**DESCRIPTION**

FIG. 1 is a side elevation of a spine alining therapeutic device, showing my new design;  
FIG. 2 is a top plan view thereof;  
FIG. 3 is an end elevation thereof;  
FIG. 4 is a top front perspective view thereof; and  
FIG. 5 is a cross-section taken on line 4—4 of FIG. 1.



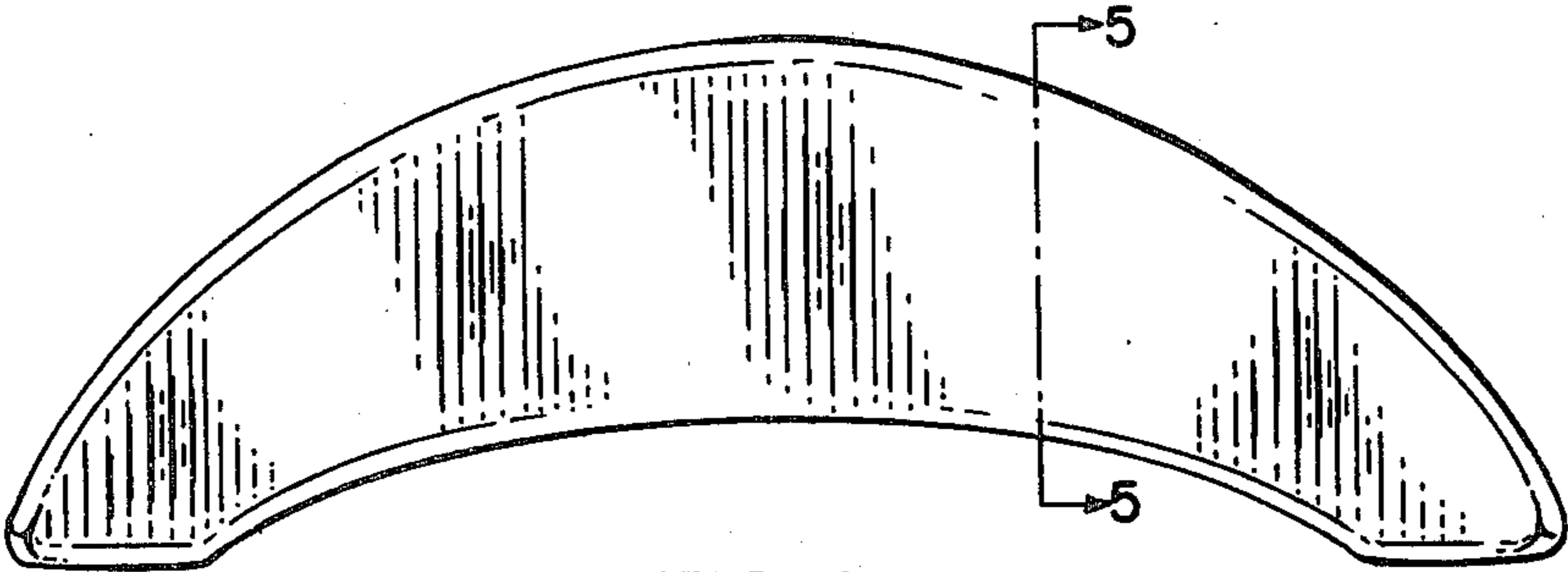


FIG. 1

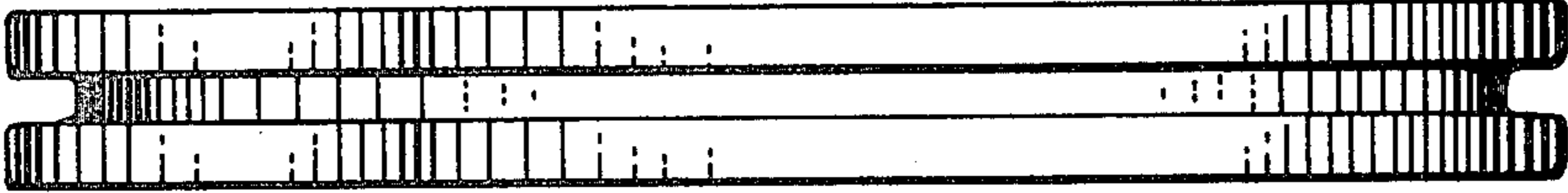


FIG. 2

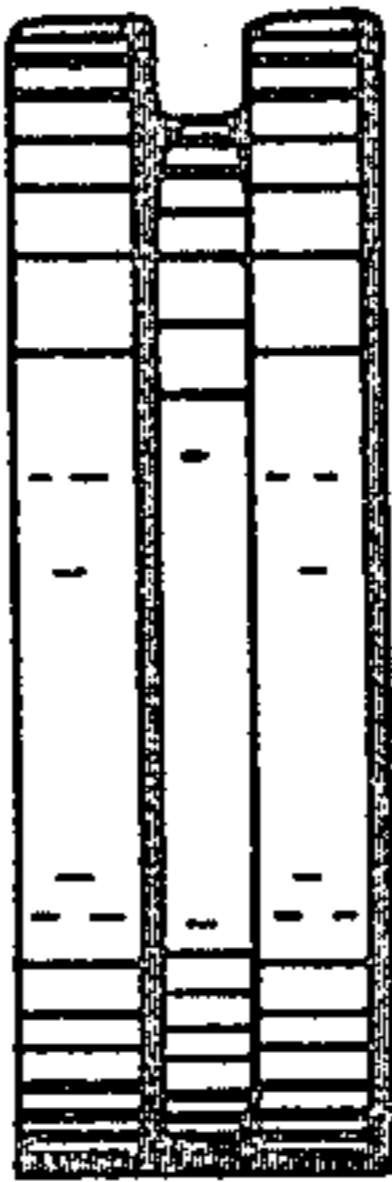


FIG. 3

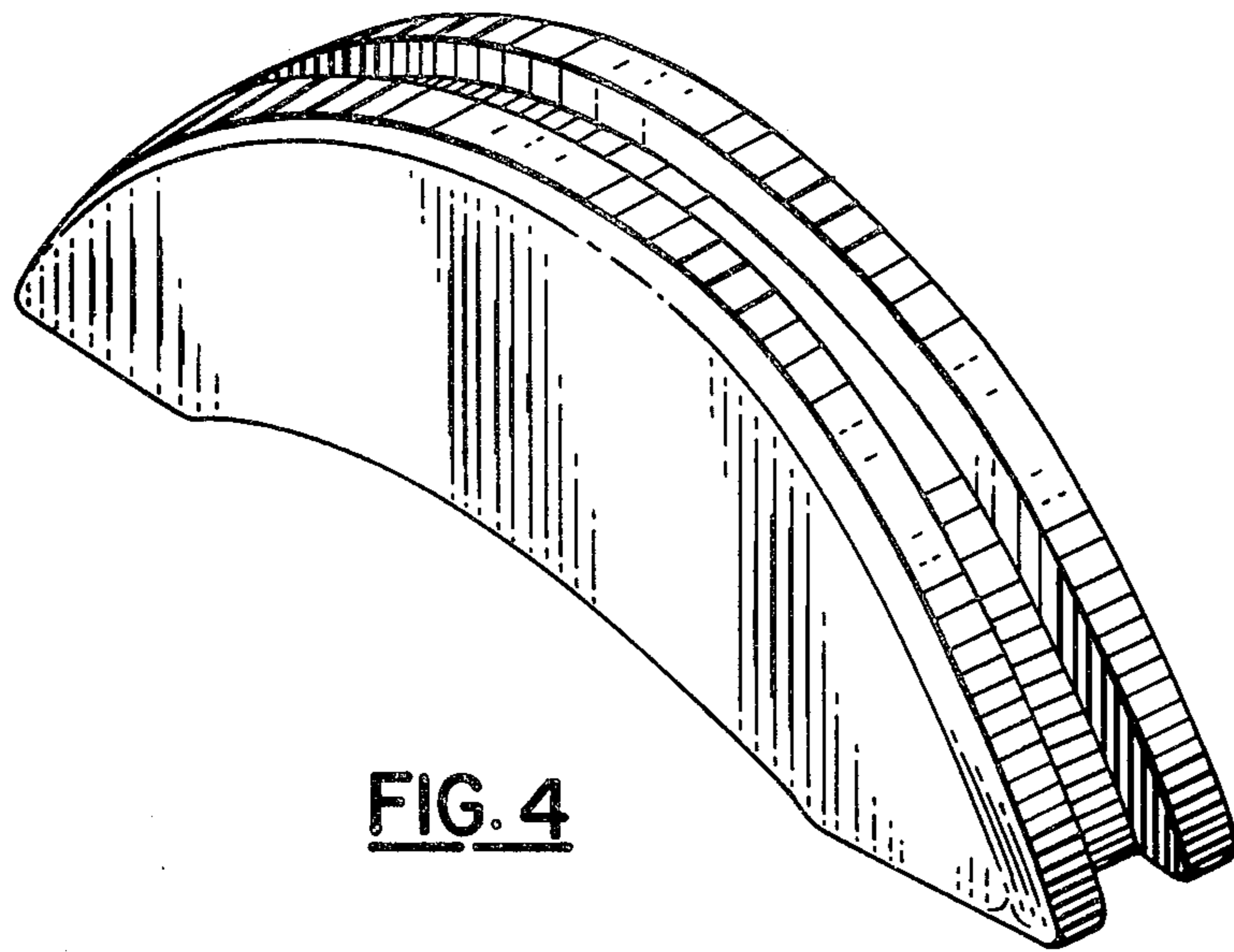


FIG. 4

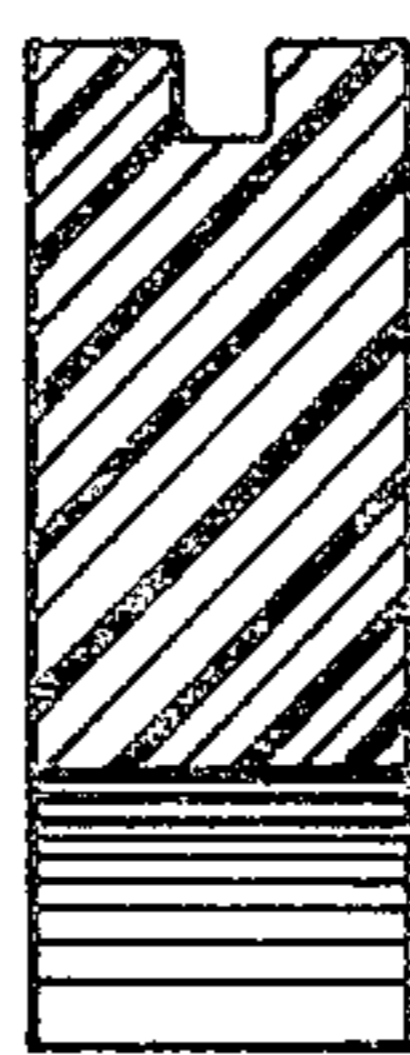


FIG. 5