

[54] **URINE COLLECTOR**

[76] **Inventor: Edna M. Zawachi, 29408 E. River Rd., Grosse Ile, Mich. 48138**

[**] **Term: 14 Years**

[21] **Appl. No.: 348,418**

[22] **Filed: Feb. 12, 1982**

[52] **U.S. Cl. D24/57**

[58] **Field of Search D24/56, 57, 99;
128/760, 761; 4/450, 451, 457**

[56] **References Cited**

U.S. PATENT DOCUMENTS

D. 267,342	12/1982	Laible	D24/57
3,377,631	4/1968	Whitney	4/452
4,241,017	12/1980	Balistreri et al.	128/760 X
4,244,920	1/1981	Manshot et al.	128/760 X
4,331,162	5/1982	Kuntz	128/761

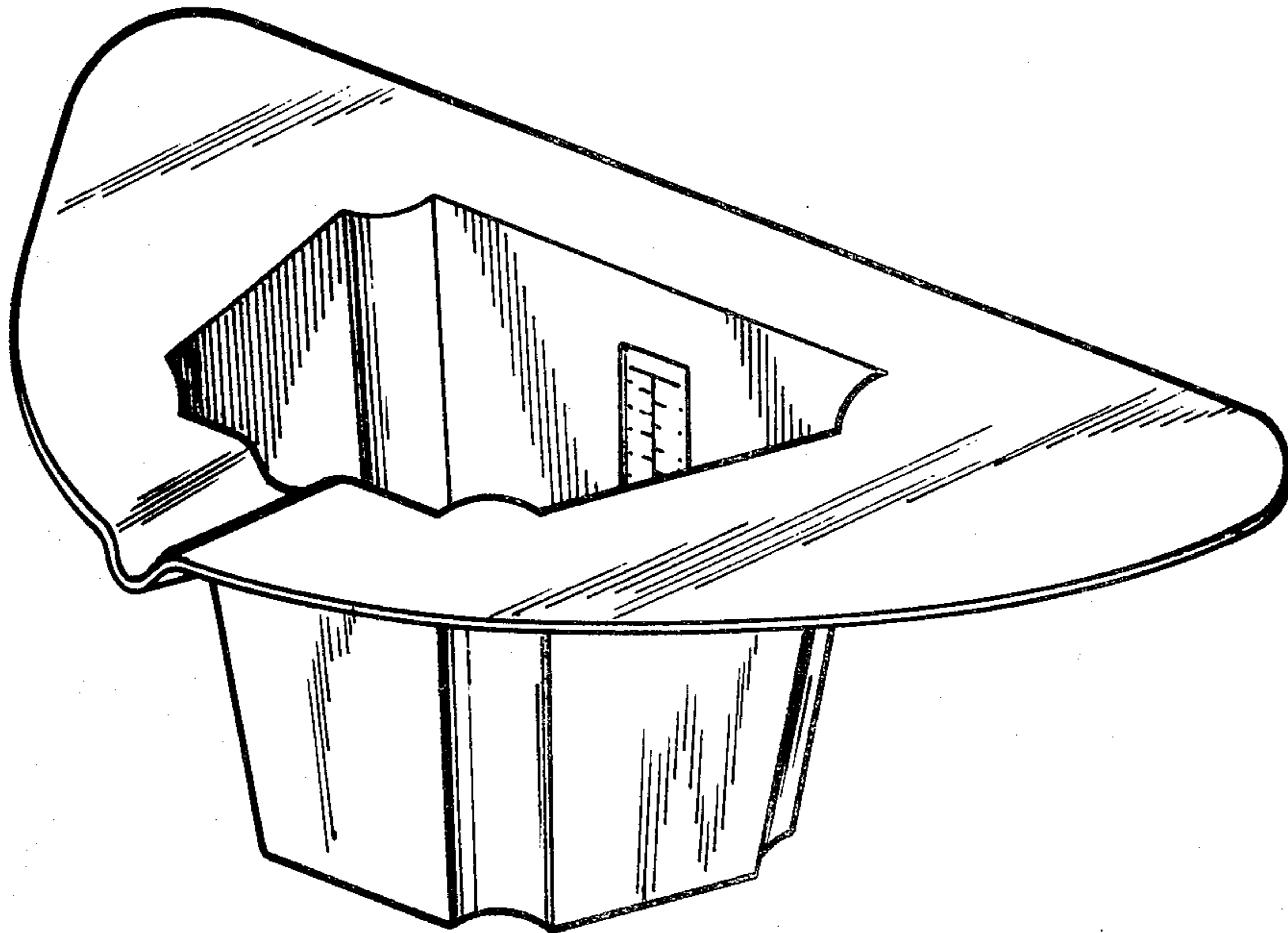
Primary Examiner—Bernard Ansher
Attorney, Agent, or Firm—Gifford, VanOphem,
Sheridan, Sprinkle & Nabozny

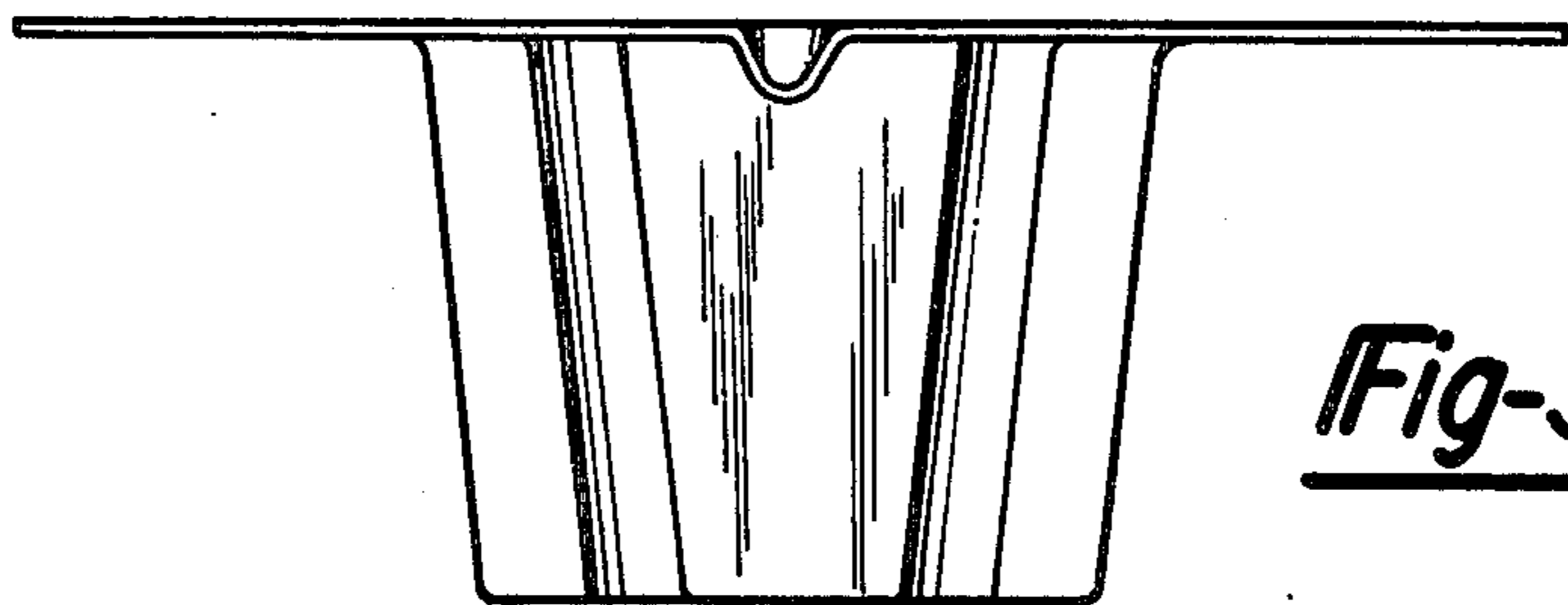
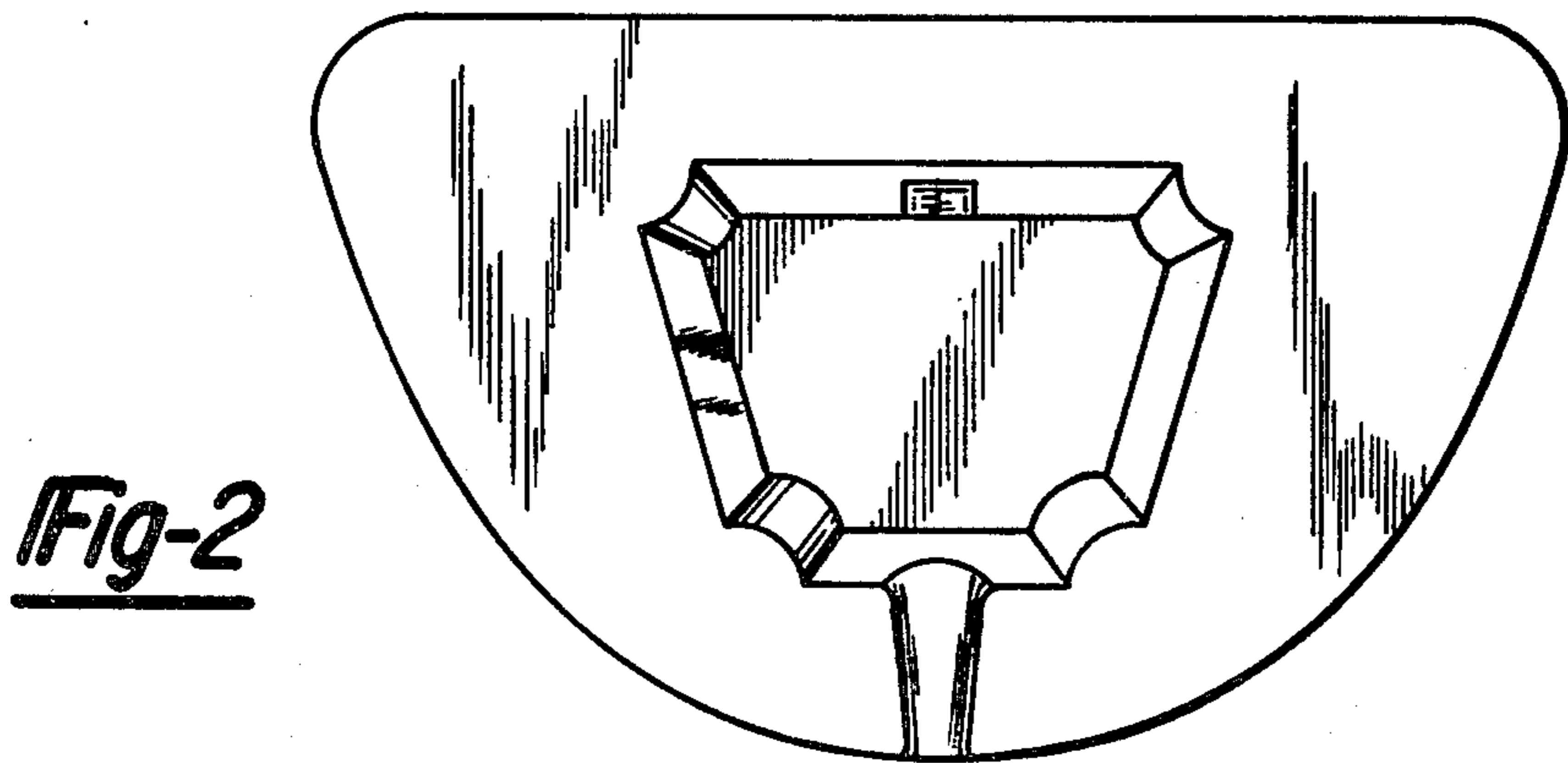
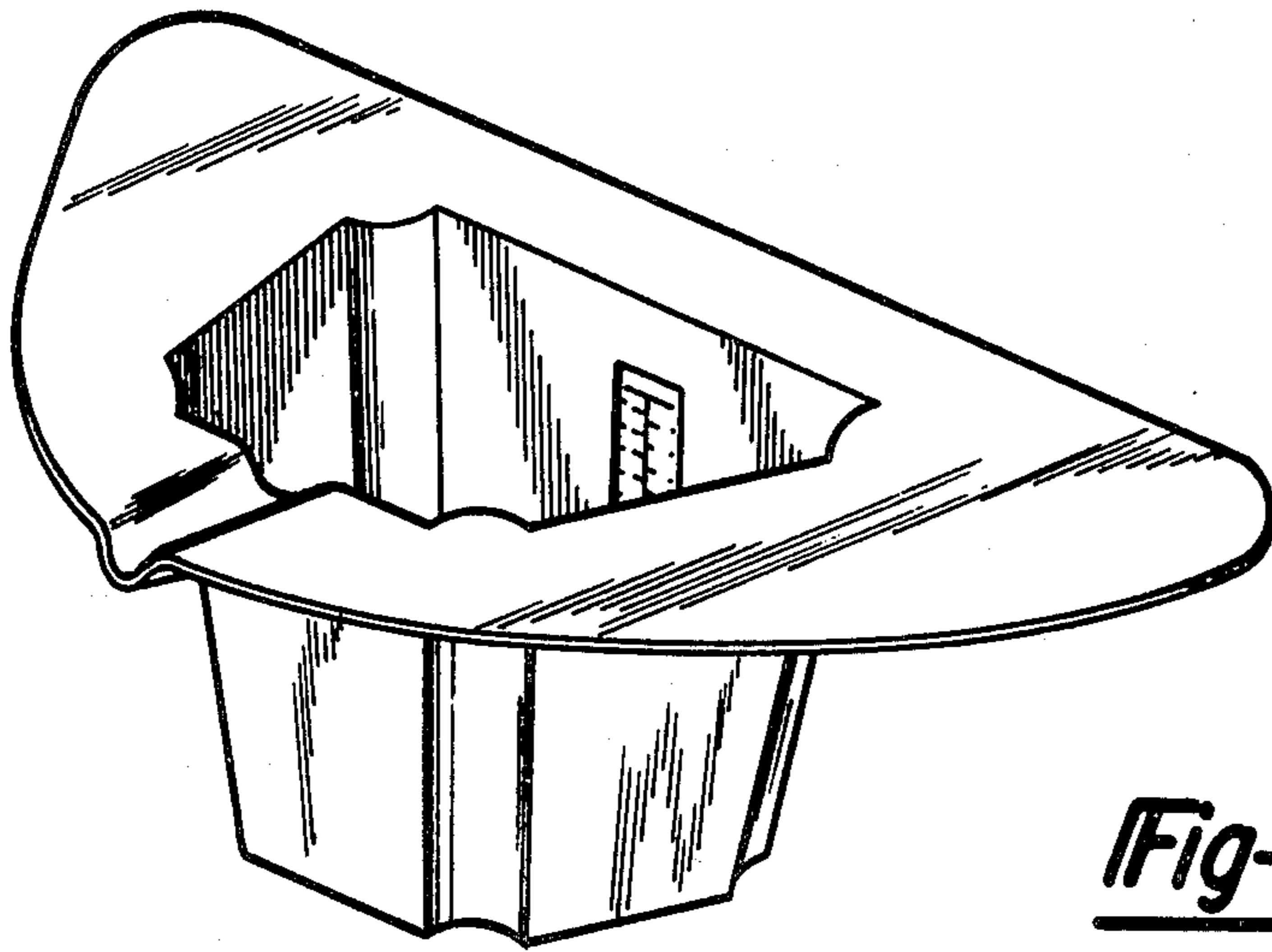
[57] **CLAIM**

The ornamental design for a urine collector, as shown.

DESCRIPTION

FIG. 1 is a top front perspective view of a urine collector showing my new design;
FIG. 2 is a top plan view thereof;
FIG. 3 is a front elevation thereof;
FIG. 4 is a right side elevation thereof;
FIG. 5 is a rear elevation thereof;
FIG. 6 is a left side elevation thereof;
FIG. 7 is a bottom plan view thereof;
FIG. 8 is a top front perspective view of a modified embodiment of the urine collector illustrated in FIG. 1;
FIG. 9 is a top plan view thereof;
FIG. 10 is a front elevation thereof.





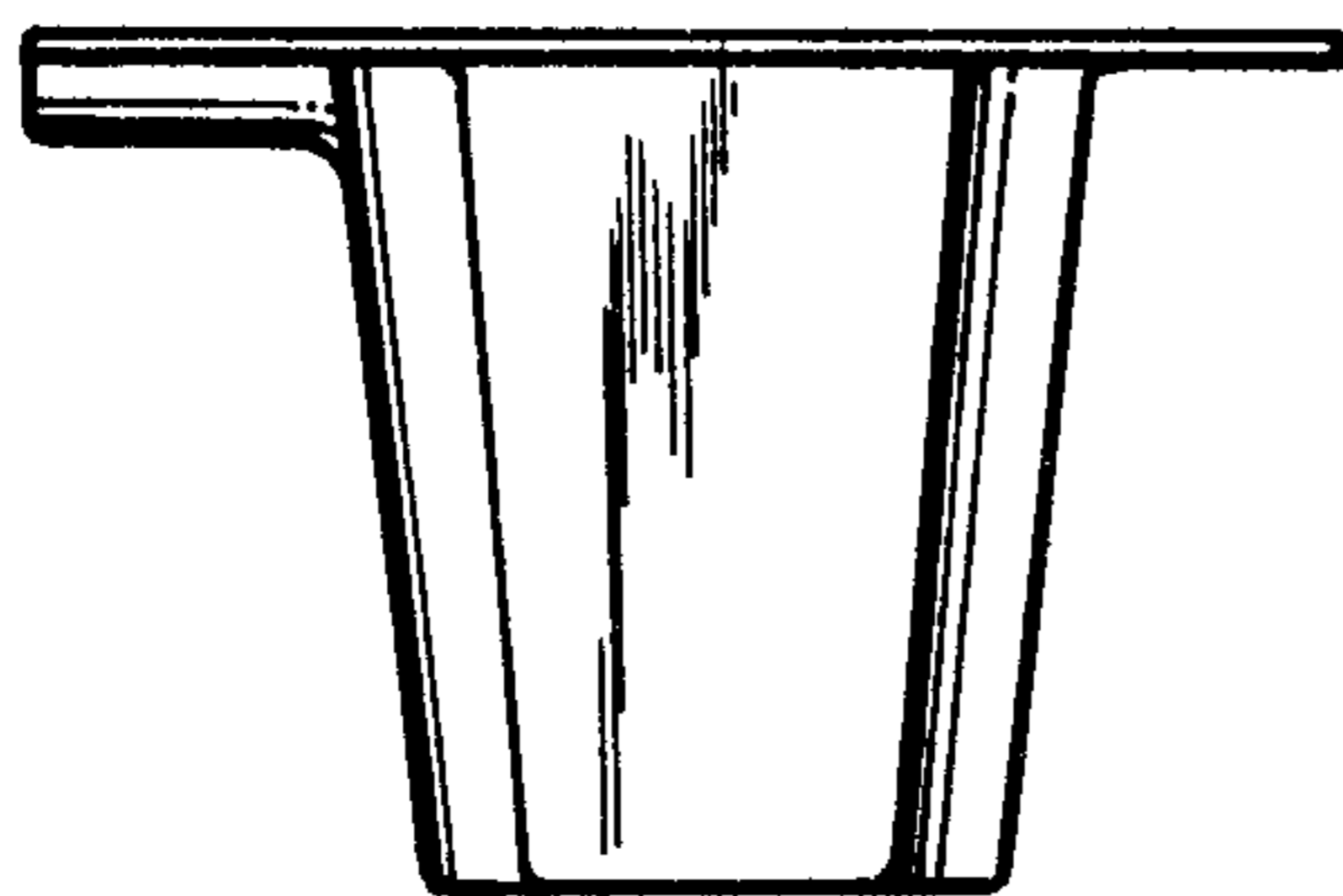


Fig-4



Fig-5

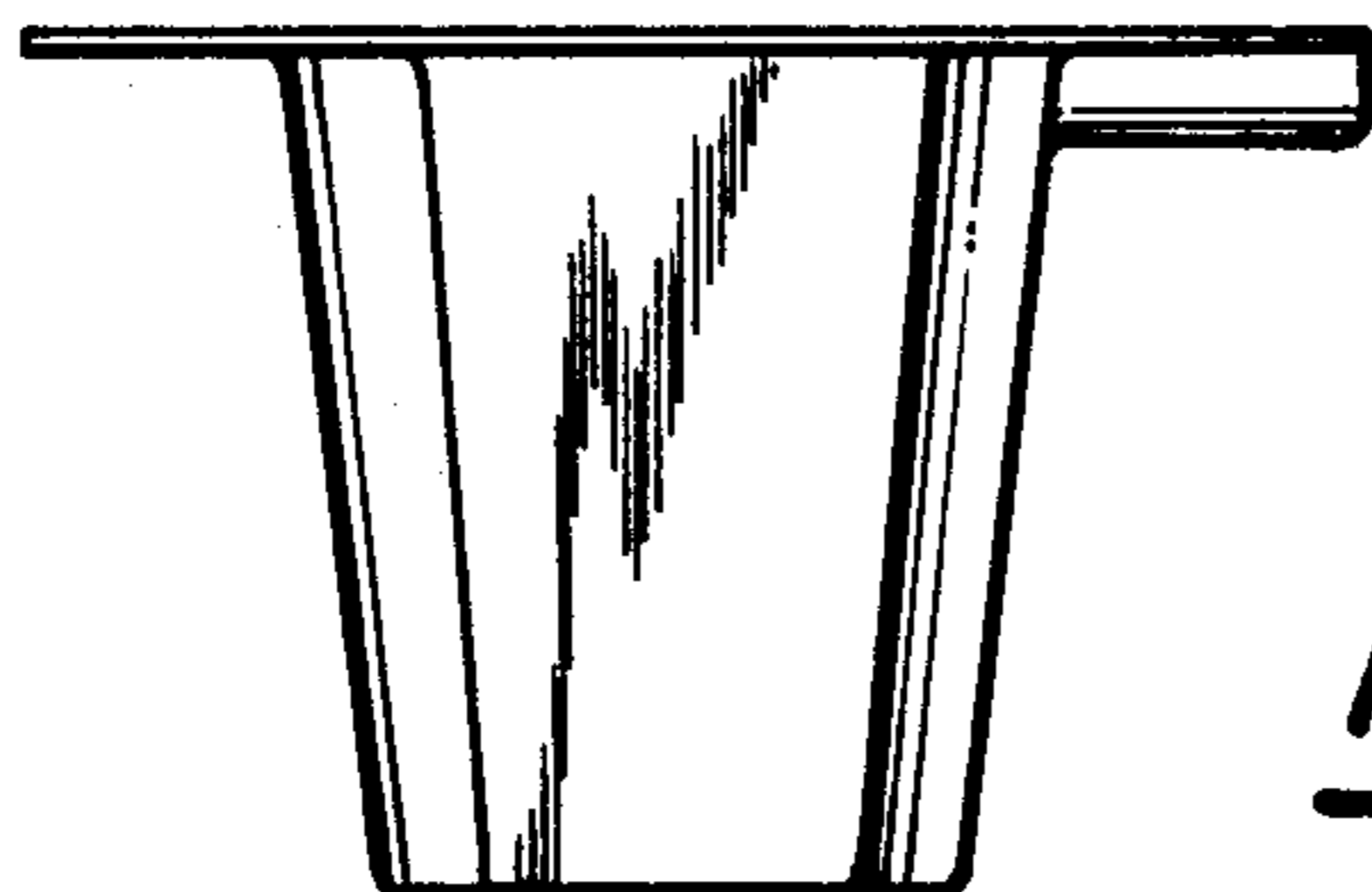


Fig-6

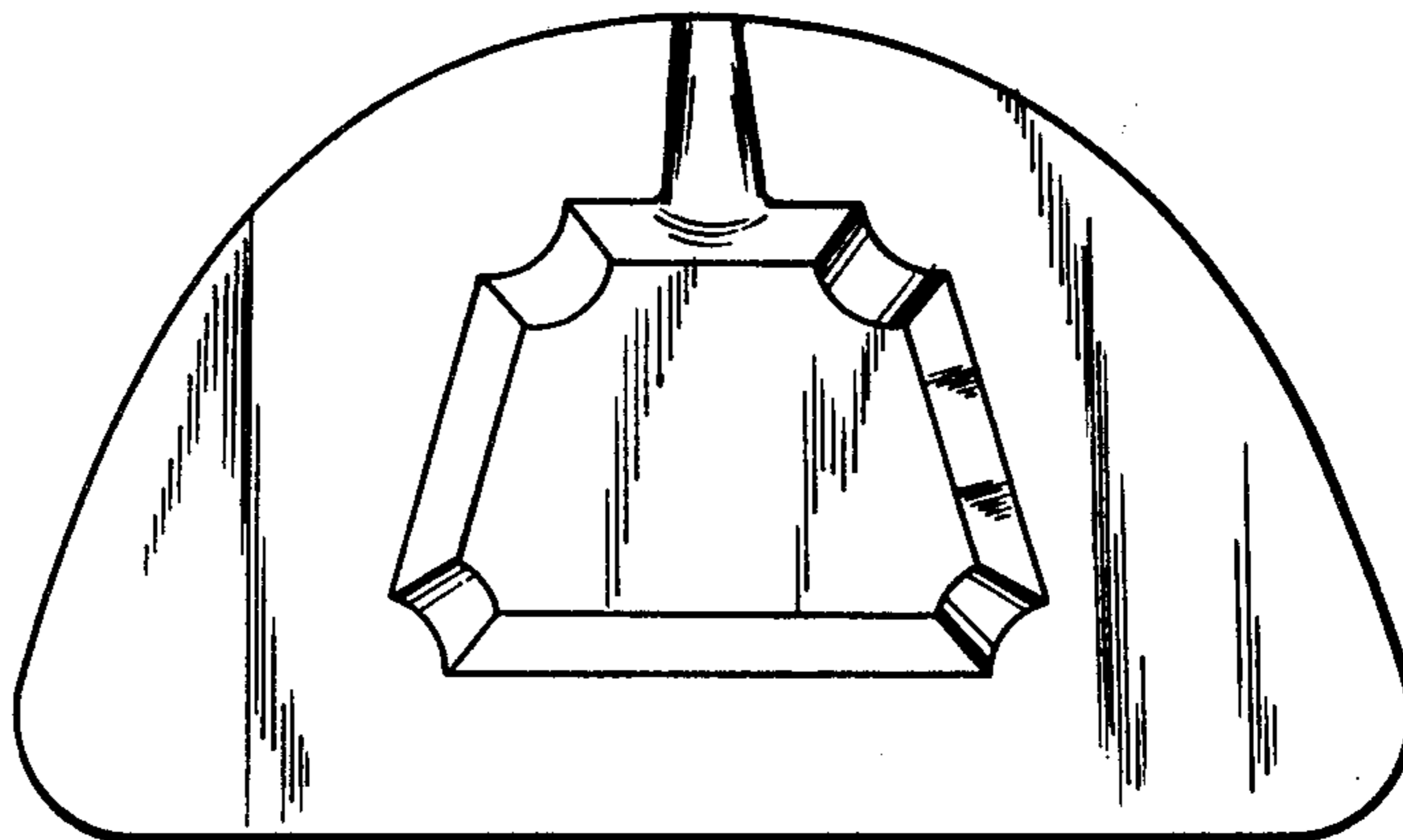


Fig-7

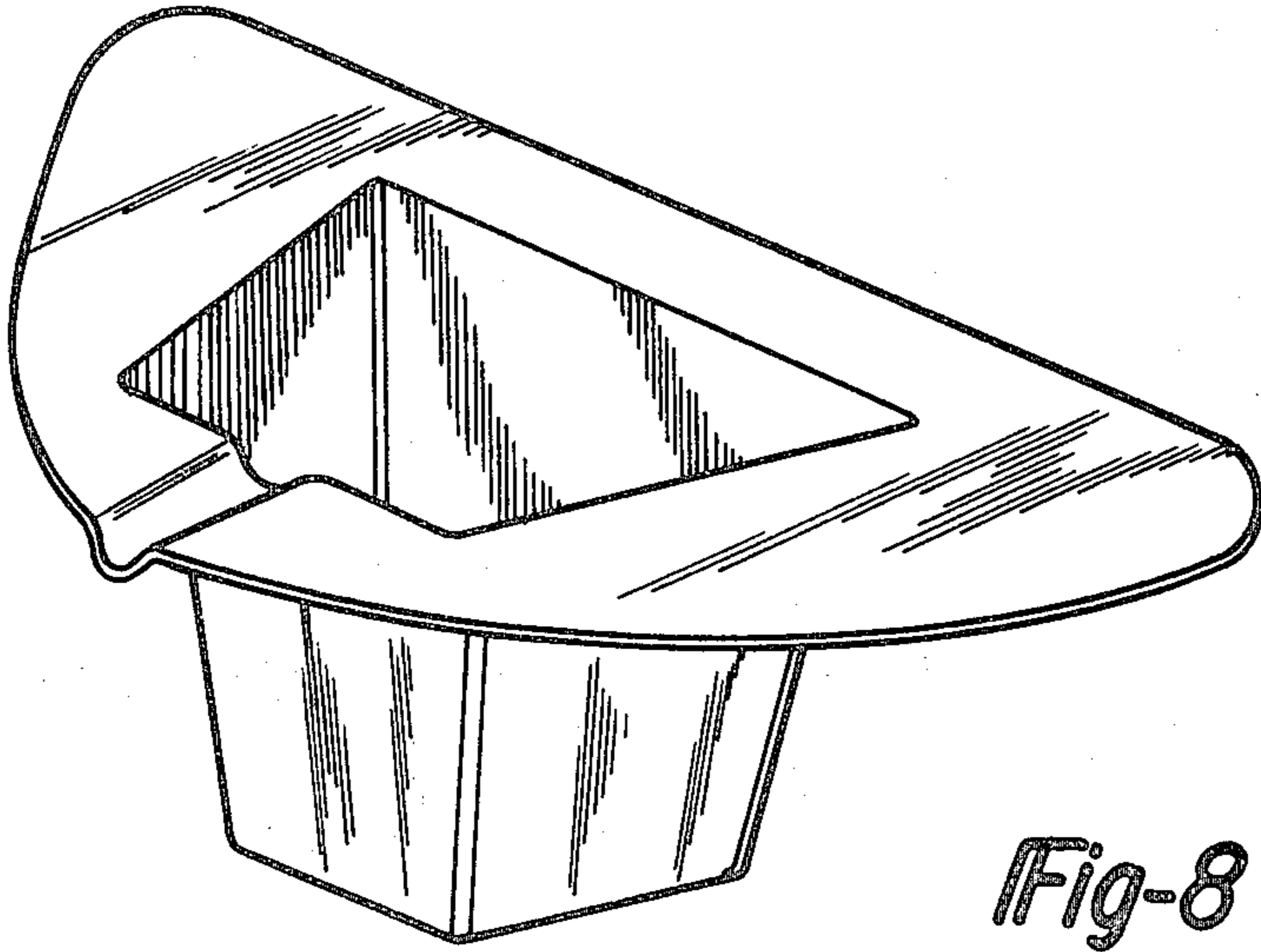


Fig-8

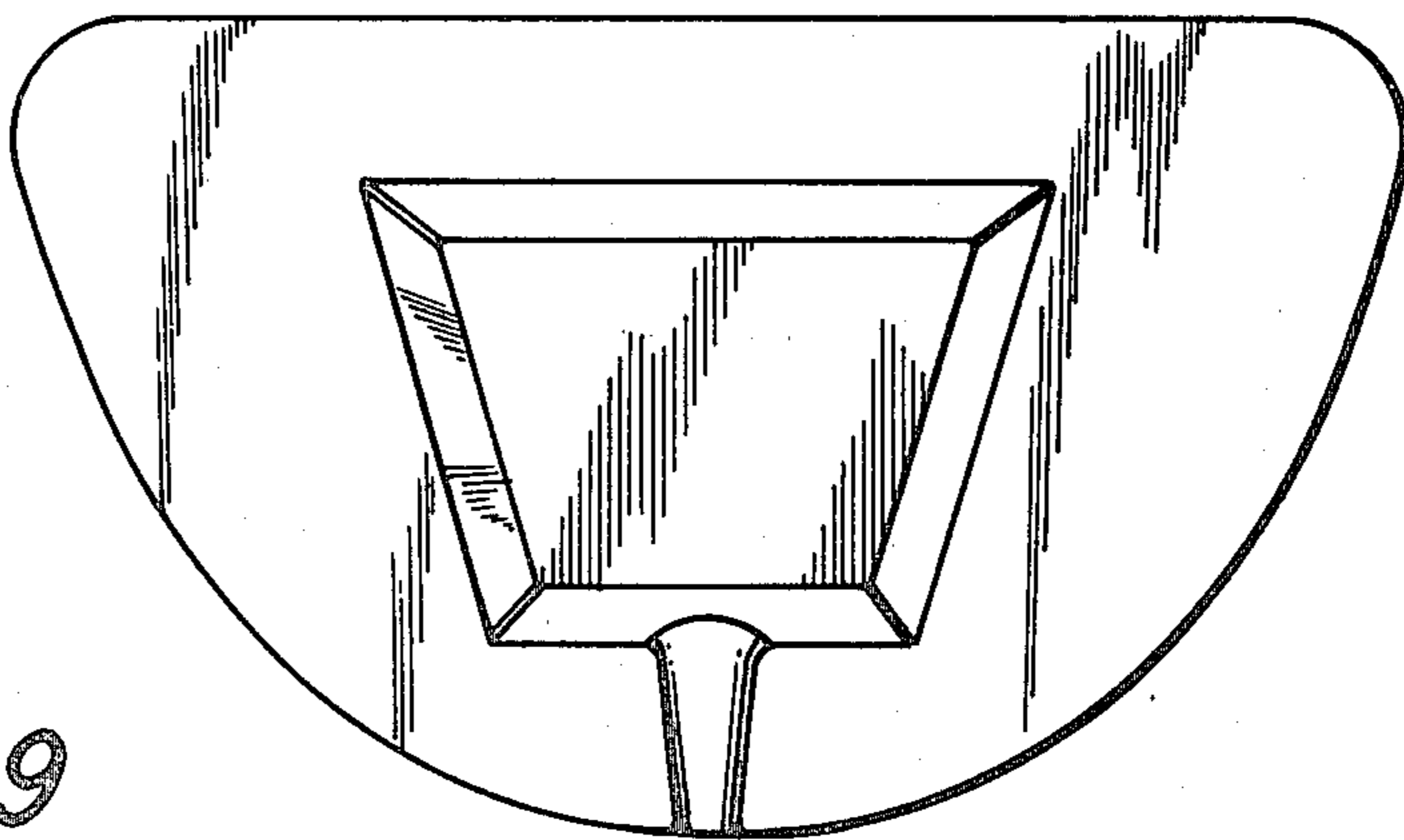


Fig-9

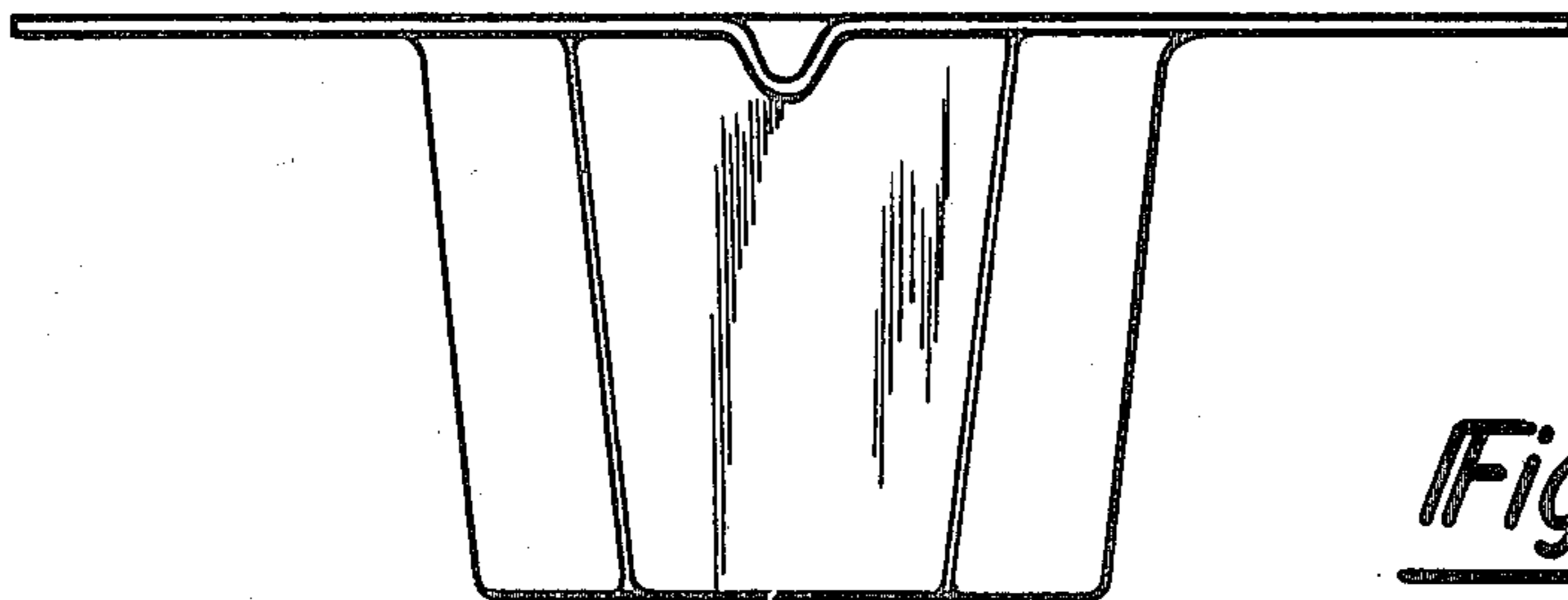


Fig-10