

United States Patent [19]

Stairs, Jr.

[11] Patent Number: **Des. 275,598**

[45] Date of Patent: **** Sep. 18, 1984**

[54] **WATER CLOSET OR SIMILAR ARTICLE**

[75] Inventor: **Henry M. Stairs, Jr., Neshanic, N.J.**

[73] Assignee: **American Standard Inc., New York, N.Y.**

[**] Term: **14 Years**

[21] Appl. No.: **383,411**

[22] Filed: **Jun. 1, 1982**

[52] U.S. Cl. **D23/65**

[58] Field of Search **D23/51, 65-68; 4/252 R, 300, 329, 353, 420**

D. 262,989	2/1982	Stairs, Jr.	D23/65
D. 264,620	5/1982	Kaiser	D23/65
D. 268,780	4/1983	Doman et al.	D23/65
D. 271,326	11/1983	Doman et al.	D23/65
4,162,548	7/1979	Groombridge et al.	4/300

Primary Examiner—James R. Largen
Attorney, Agent, or Firm—James J. Salerno, Jr.; Robert G. Crooks; John P. Sinnott

[57] **CLAIM**

The ornamental design for a water closet or similar article, substantially as shown and described.

DESCRIPTION

FIG. 1 is a front elevational view of a water closet or similar article embodying my new design; FIG. 2 is a left side elevational view thereof, the right side being a mirror image of the left side shown; FIG. 3 is a rear elevational view thereof; FIG. 4 is a top plan view thereof; FIG. 5 is a bottom plan view thereof; and FIG. 6 is a cross sectional view taken on line 6—6 of FIG. 4.

[56] **References Cited**
U.S. PATENT DOCUMENTS

D. 101,535	10/1936	Karstadt	D23/65
D. 185,618	6/1959	Teague et al.	D23/65
D. 188,750	9/1960	Swann	D23/65
D. 199,235	9/1964	Tiller	D23/65
D. 215,656	10/1969	Armstrong	D23/65
D. 237,884	12/1975	Korol	D23/65
D. 250,202	11/1978	Doman et al.	D23/65

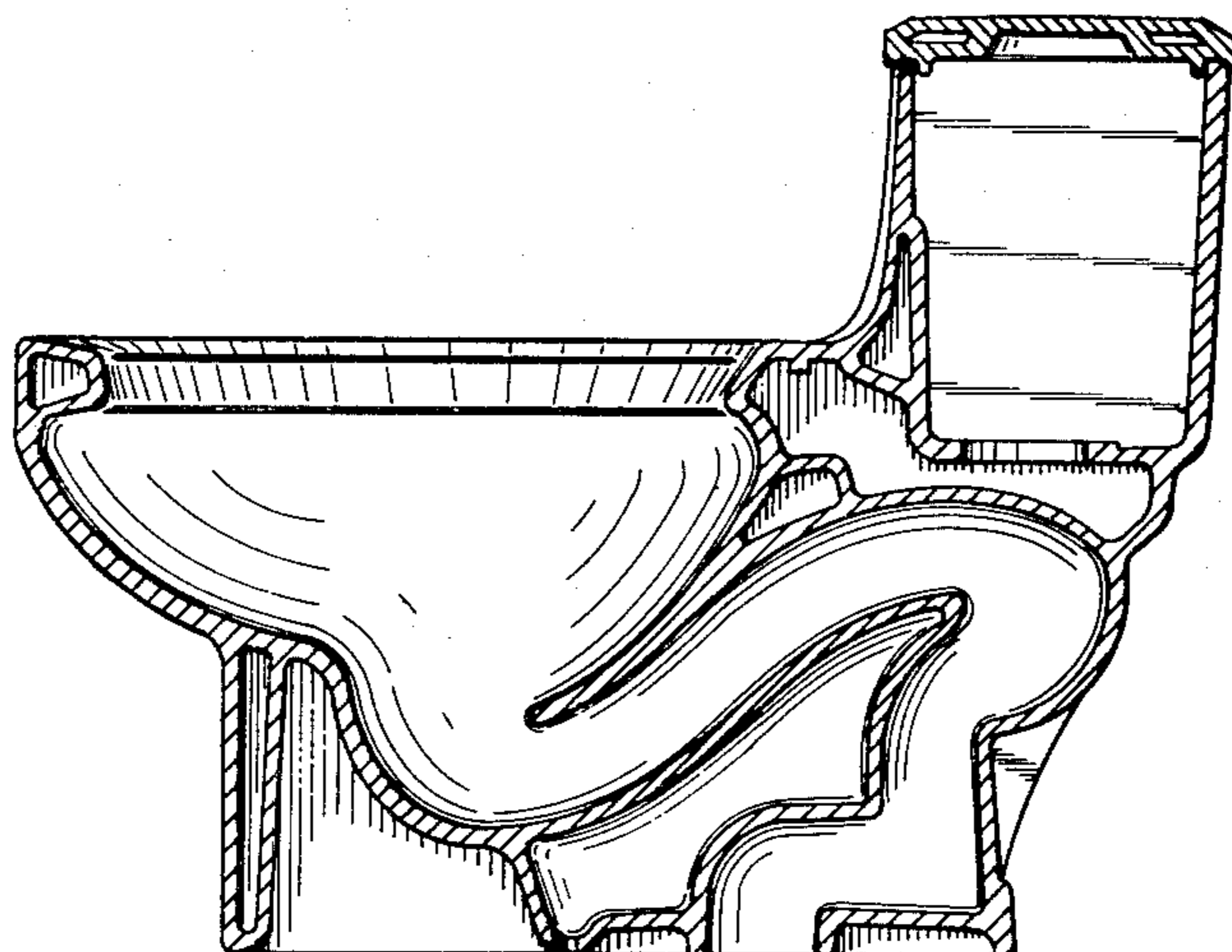
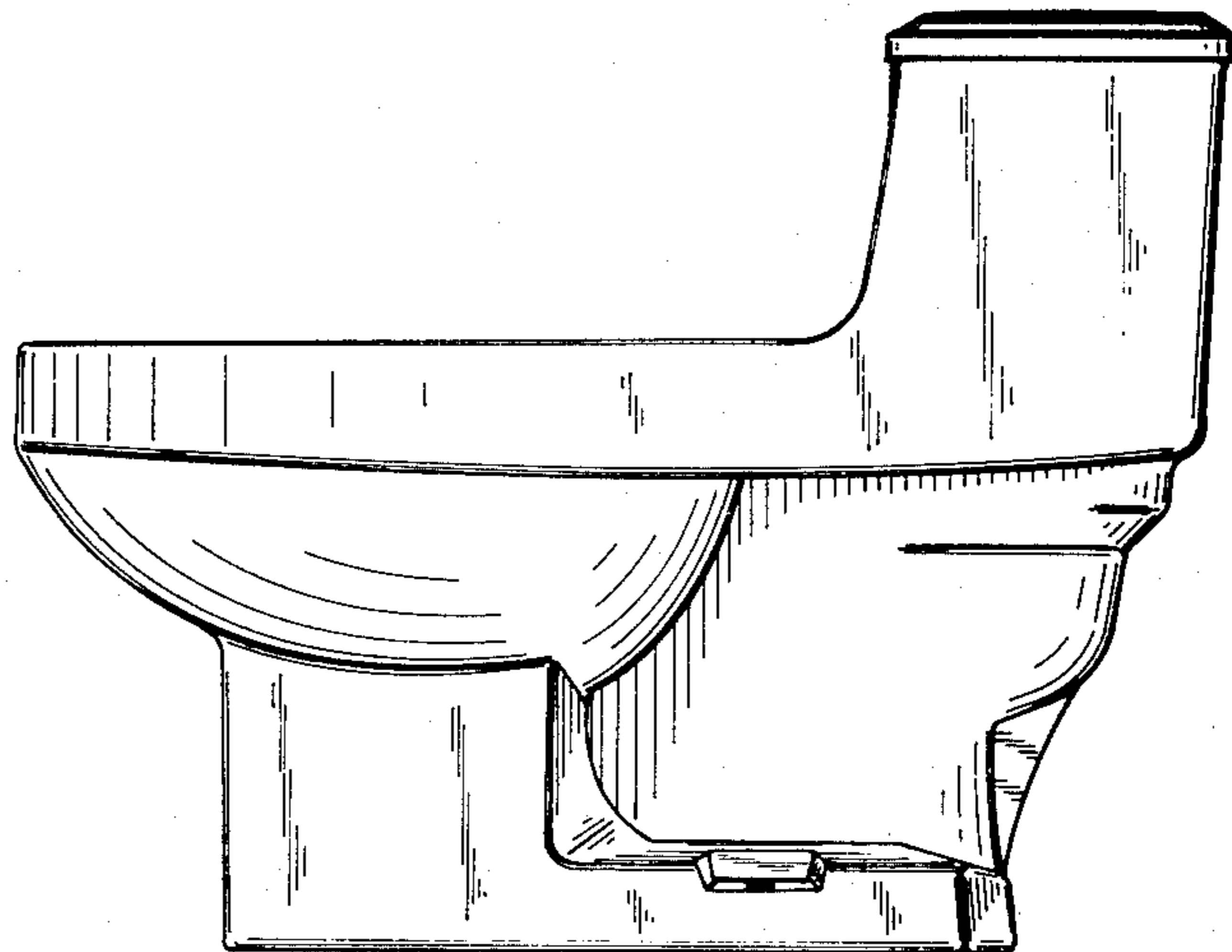
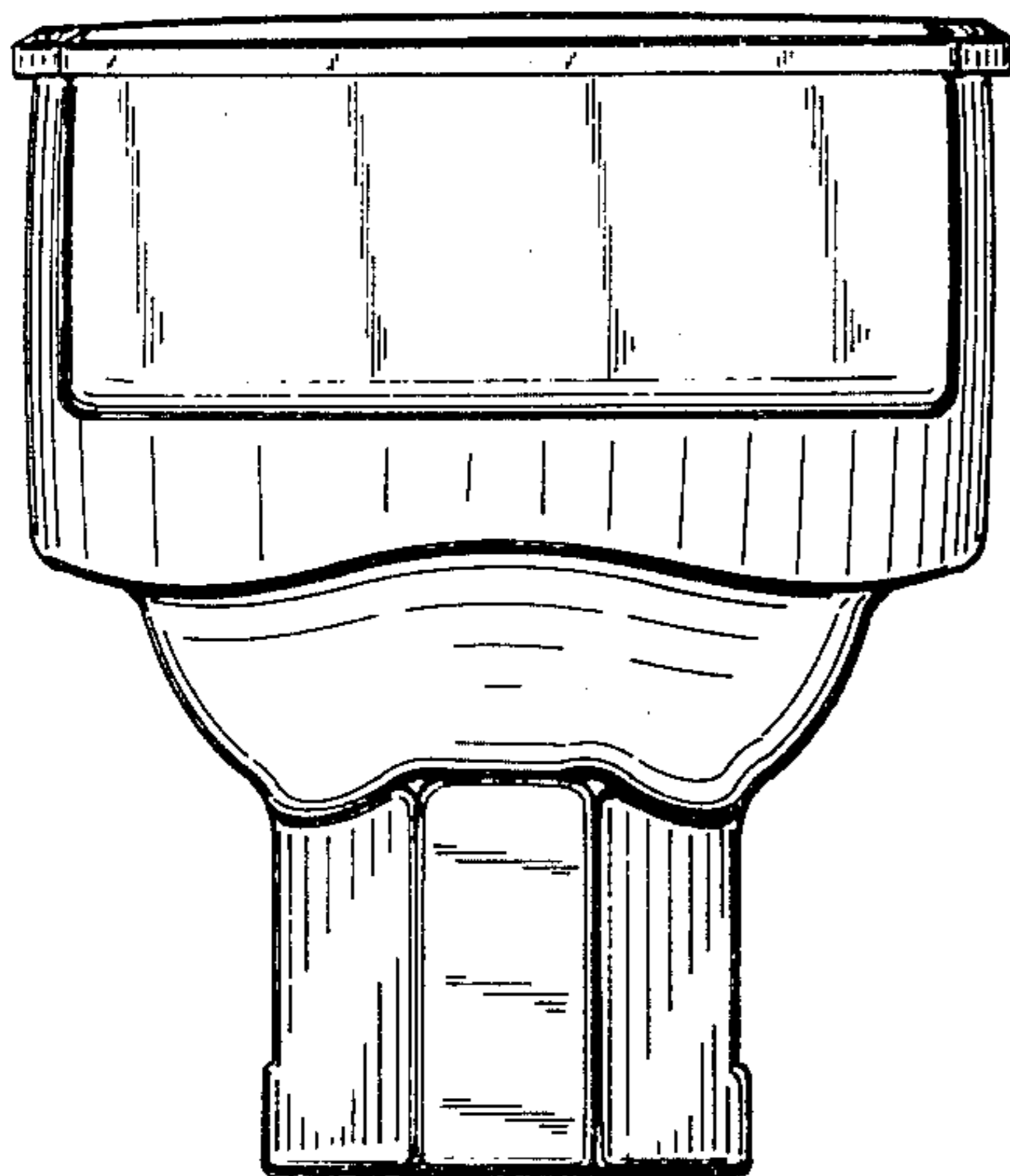
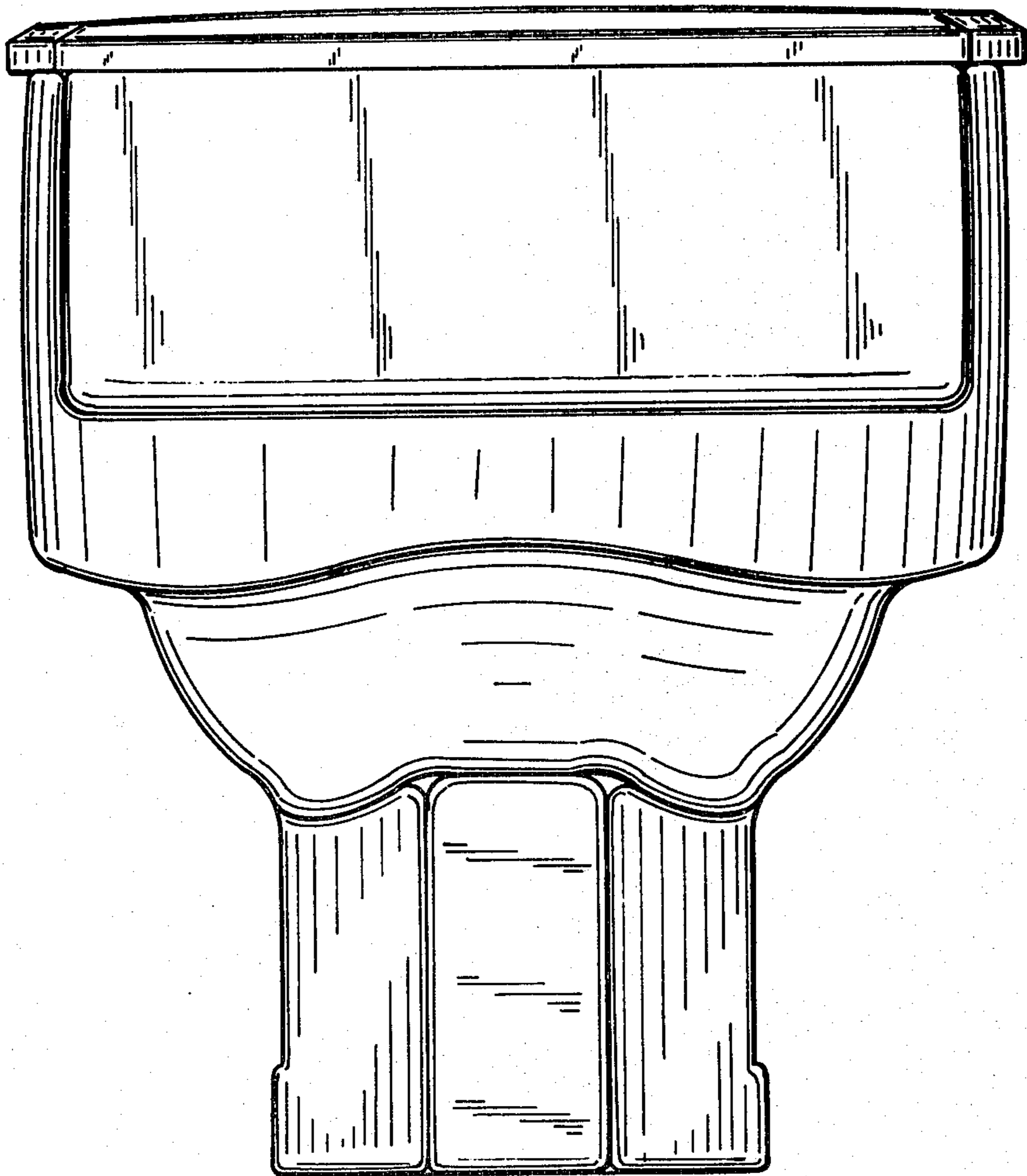


FIG. 1



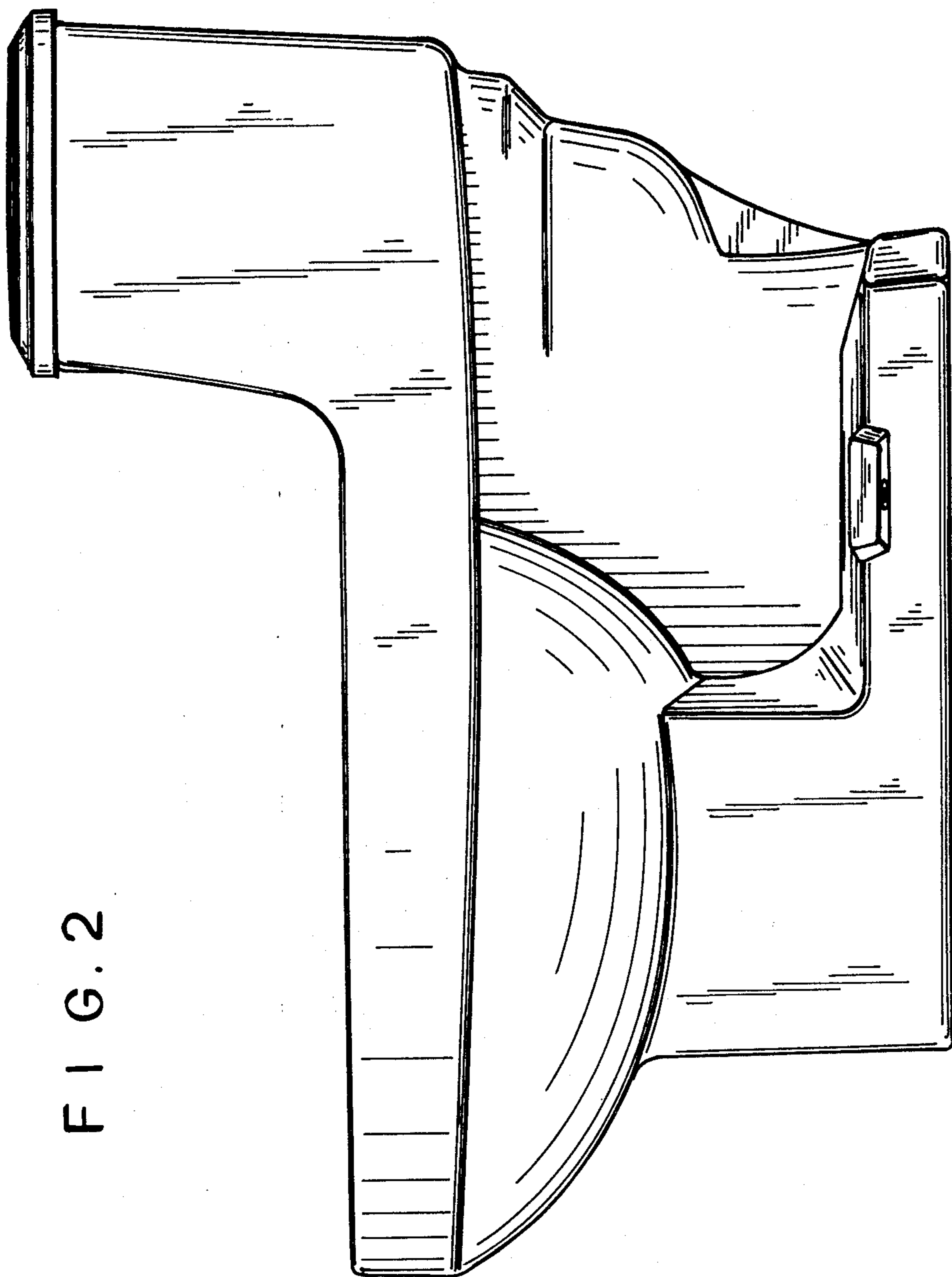
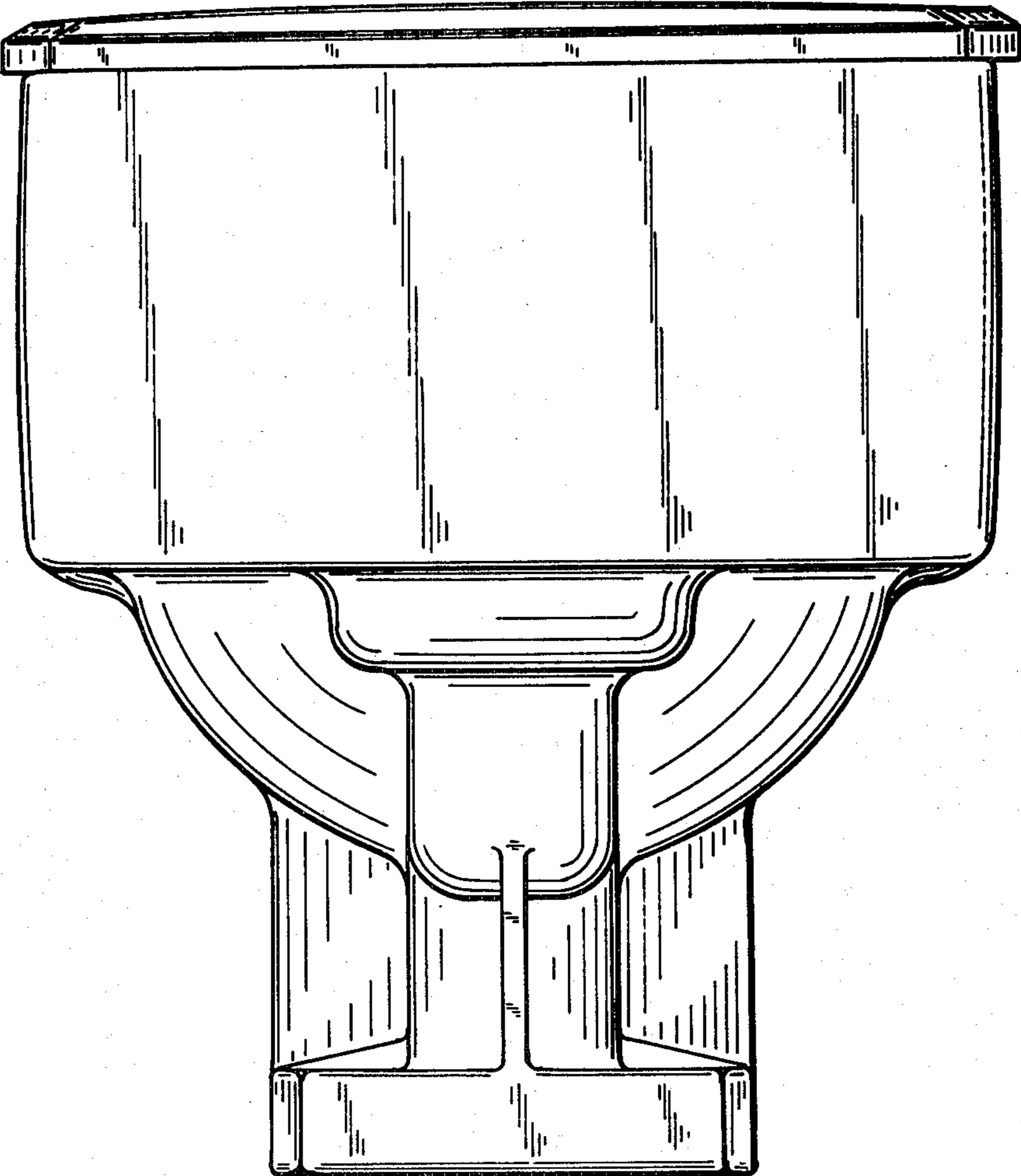


FIG. 2

FIG. 3



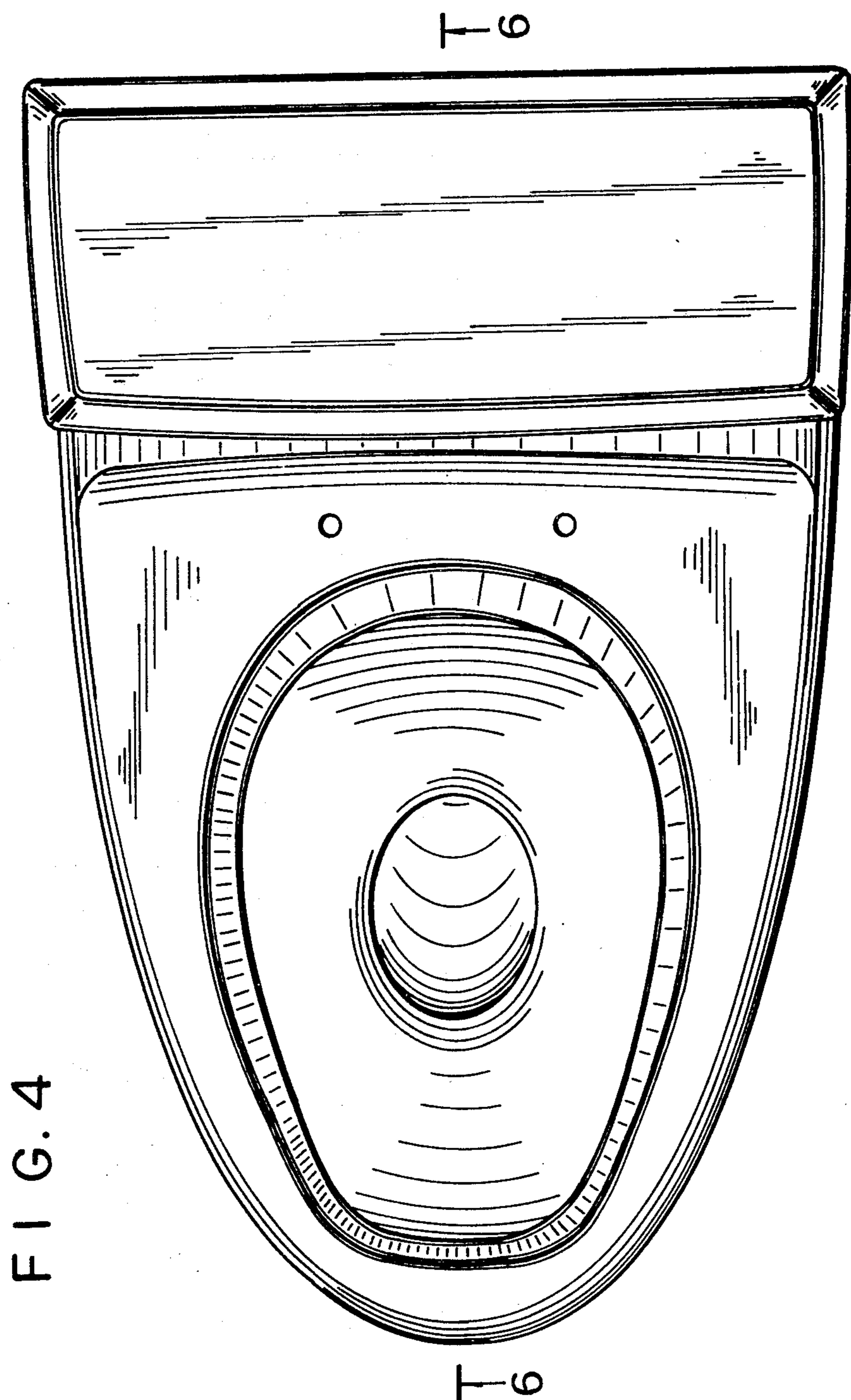
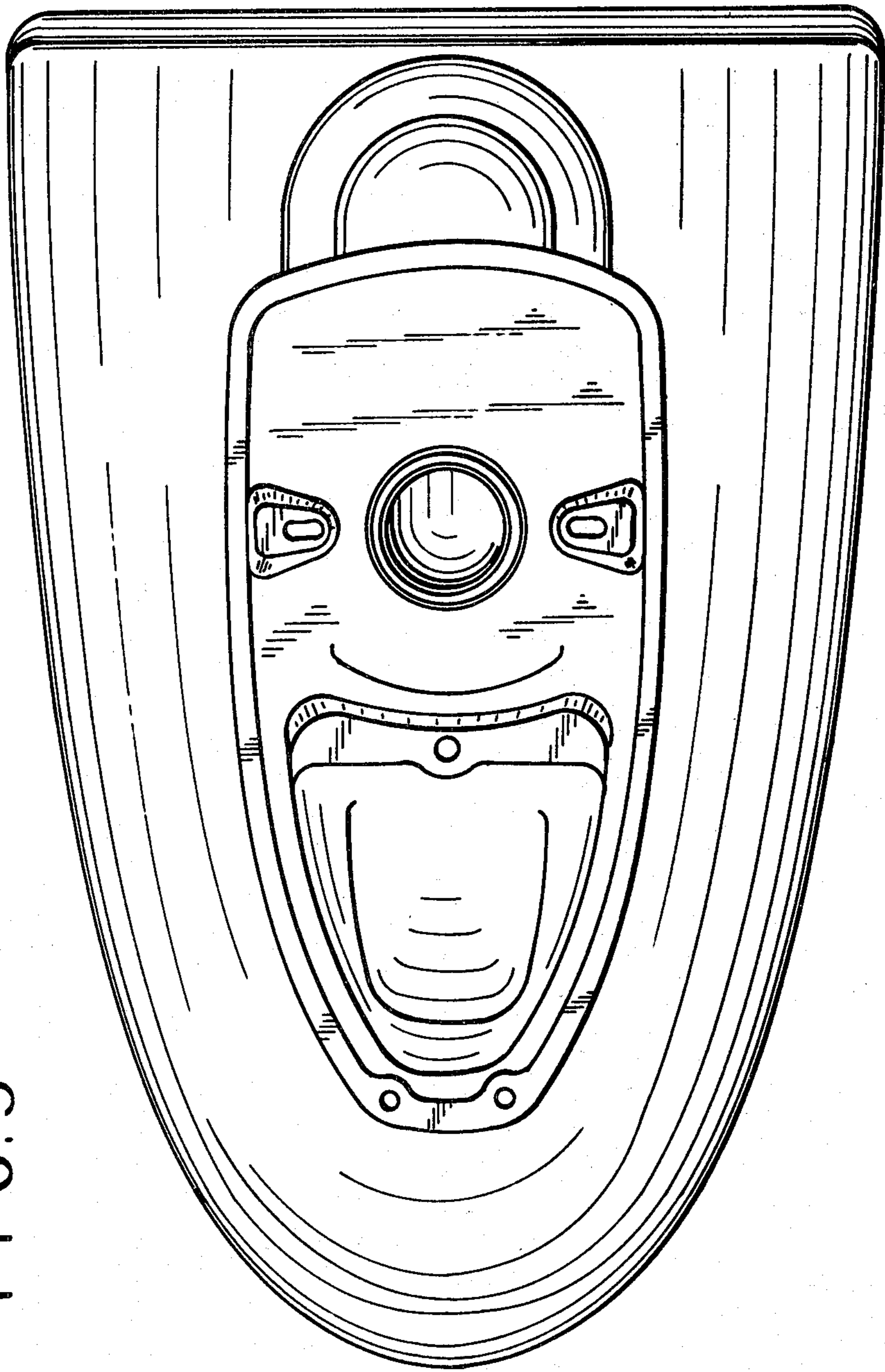


FIG. 5



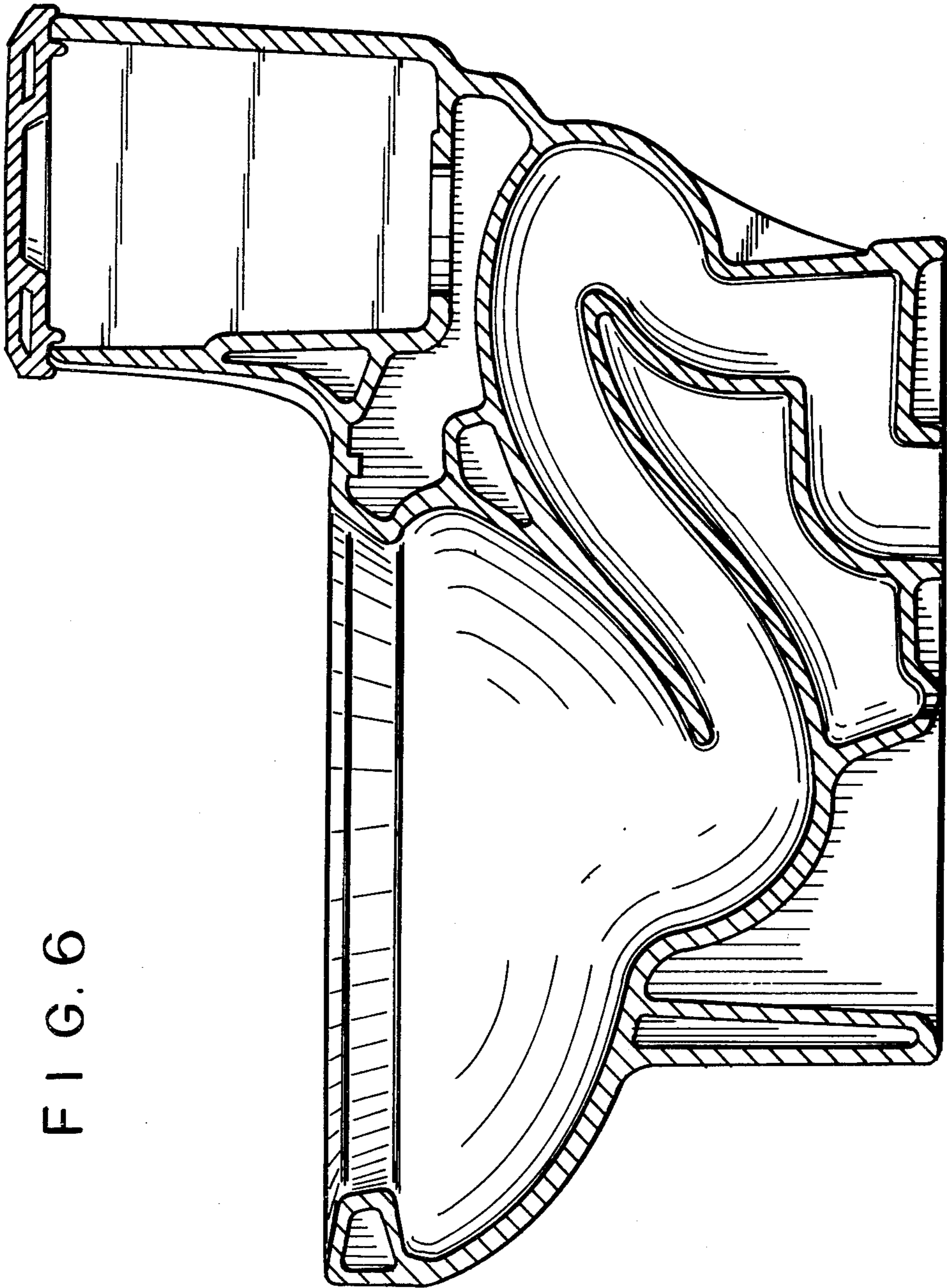


FIG. 6