

[54] PULSATOR HEAD FOR A SPRINKLER
[75] Inventors: Ho Chow, River Edge, N.J.; Gordon R. Perry, New York, N.Y.

[73] Assignee: Melnor Industries, Inc., Moonachie, N.J.

[**] Term: 14 Years

[21] Appl. No.: 404,630

[22] Filed: Aug. 2, 1982

[52] U.S. Cl. D23/7

[58] Field of Search D23/6-10;
239/230, 231, 232, 233

[56] References Cited

U.S. PATENT DOCUMENTS

| | | | | |
|------------|---------|---------|-------|---------|
| D. 255,825 | 7/1980 | Hardy | | D23/7 |
| D. 266,449 | 10/1982 | Foreman | | D23/7 |
| D. 270,178 | 8/1983 | Heck | | D23/7 |
| 3,043,522 | 7/1962 | Ryerson | | 239/230 |

| | | | | |
|-----------|---------|-----------|-------|-----------|
| 3,856,207 | 12/1974 | Rees, Jr. | | 239/230 |
| 3,884,416 | 5/1975 | King | | 239/230 |
| 3,918,642 | 11/1975 | Best | | 239/230 |
| 3,930,617 | 1/1976 | Dunmire | | 239/233 X |
| 3,957,205 | 5/1976 | Costa | | 239/230 |
| 3,968,934 | 7/1976 | Healy | | 239/230 |
| 4,205,788 | 6/1980 | Bruninga | | 239/233 |

Primary Examiner—James R. Largen
Attorney, Agent, or Firm—James & Franklin

[57] CLAIM

The ornamental design for a pulsator head for a sprinkler, substantially as shown.

DESCRIPTION

FIG. 1 is a right side elevational view of a pulsator head for a sprinkler showing our new design; FIG. 2 is a left side elevational view thereof; FIG. 3 is a front elevational view thereof; FIG. 4 is a rear elevational view thereof; FIG. 5 is a top plan view thereof; and FIG. 6 is a bottom plan view thereof.

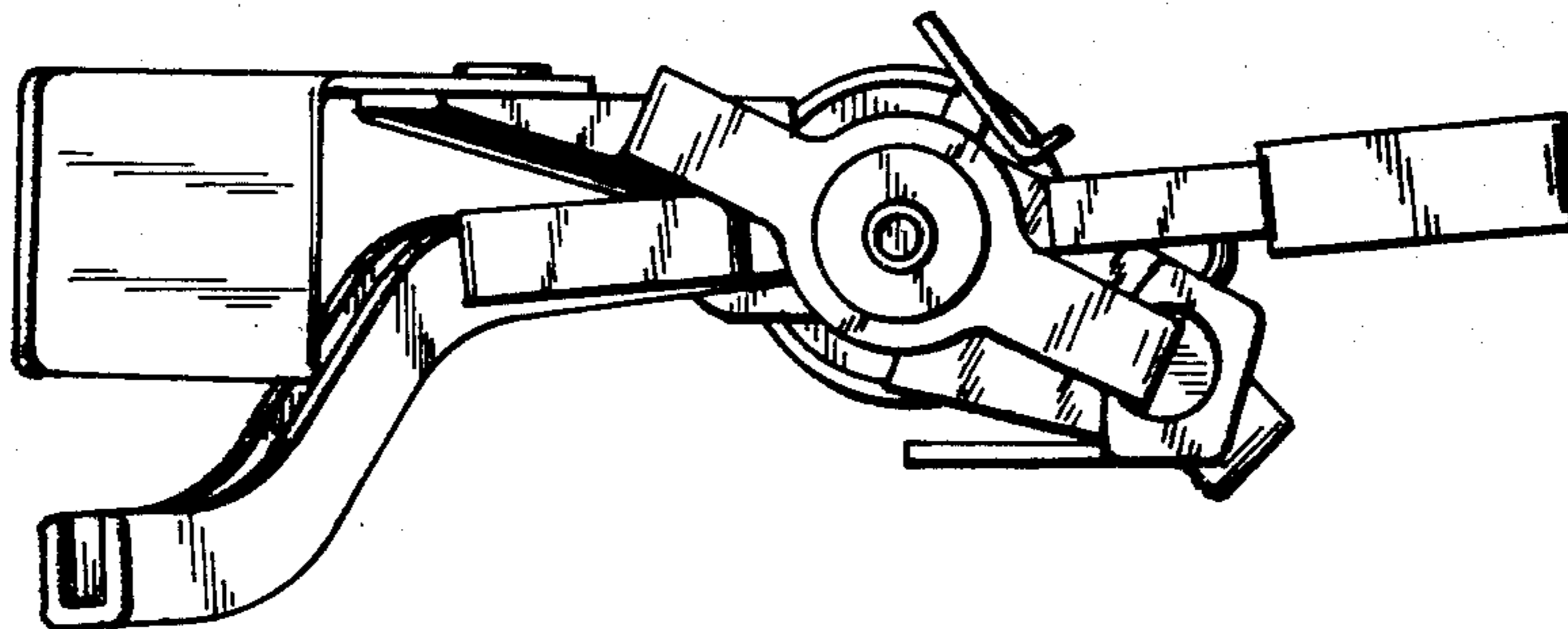
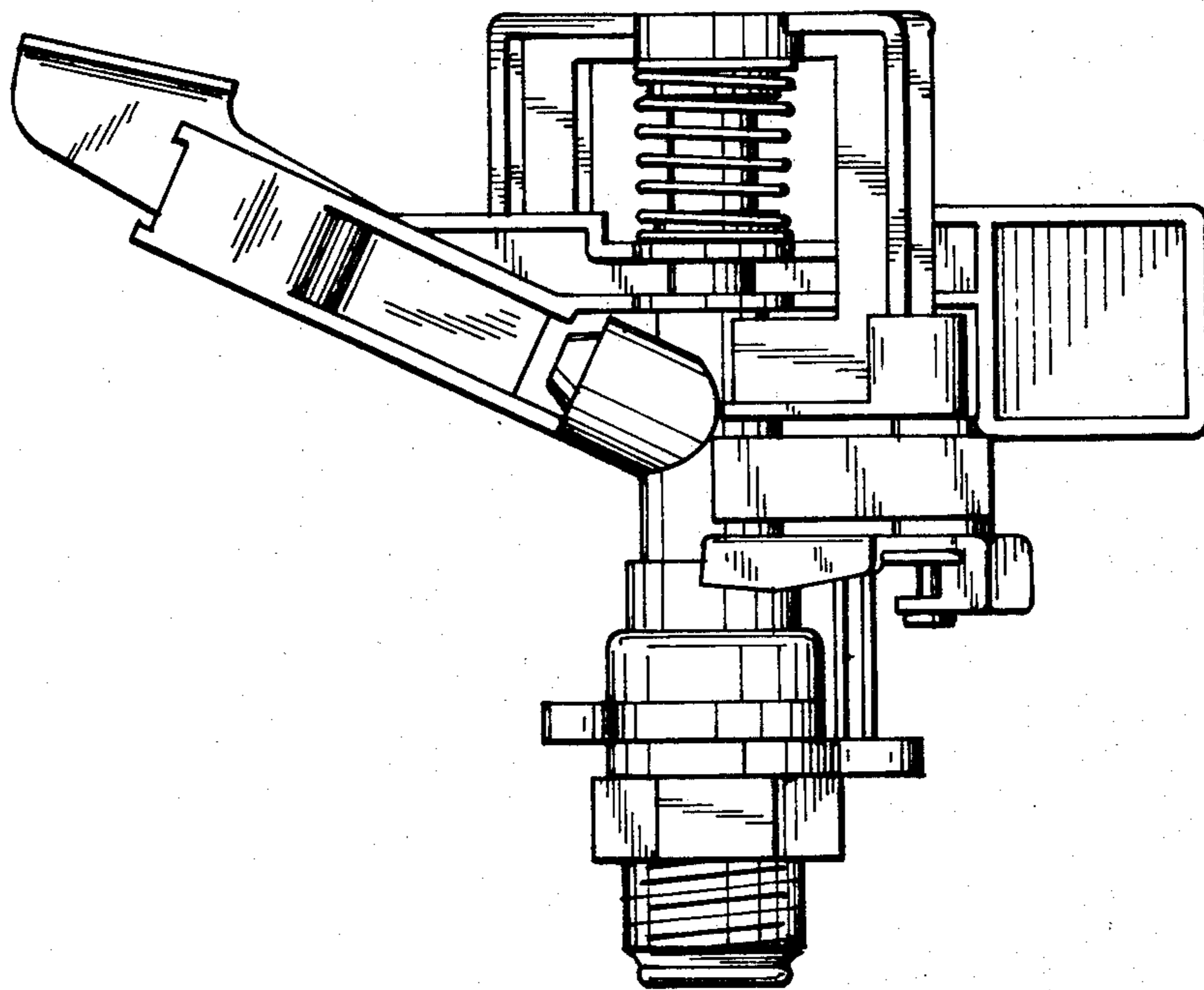


FIG. 1

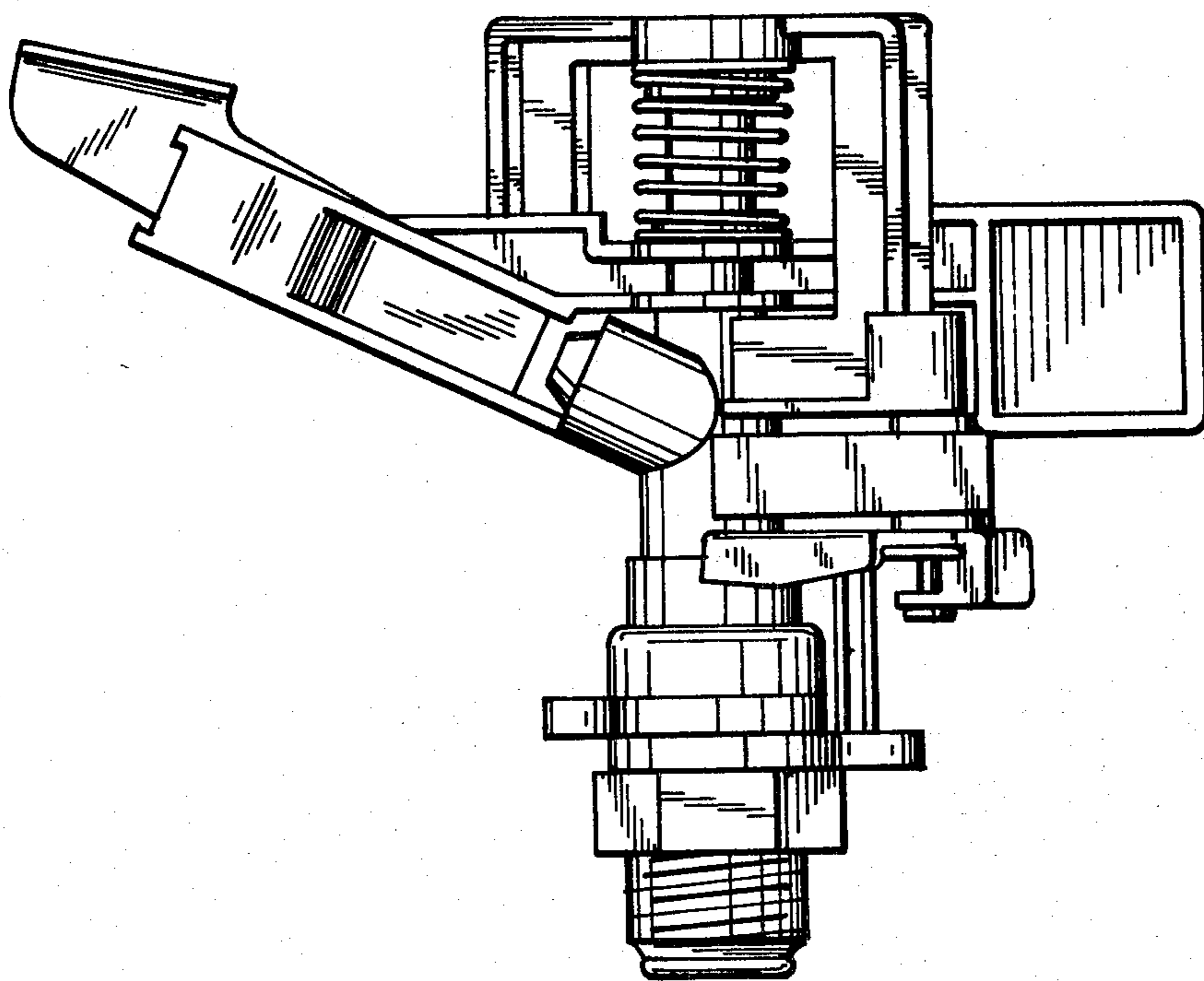


FIG. 2

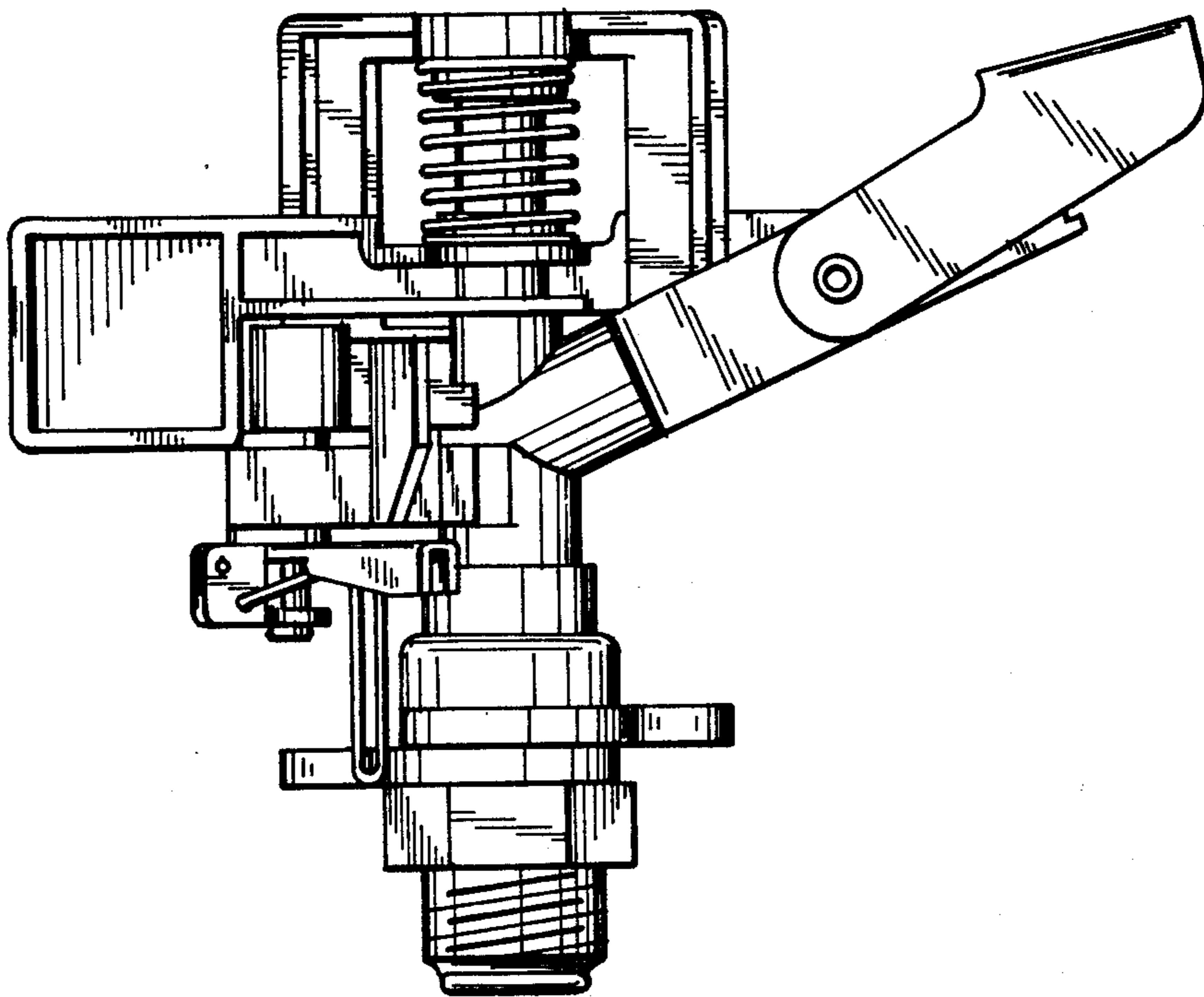


FIG. 3

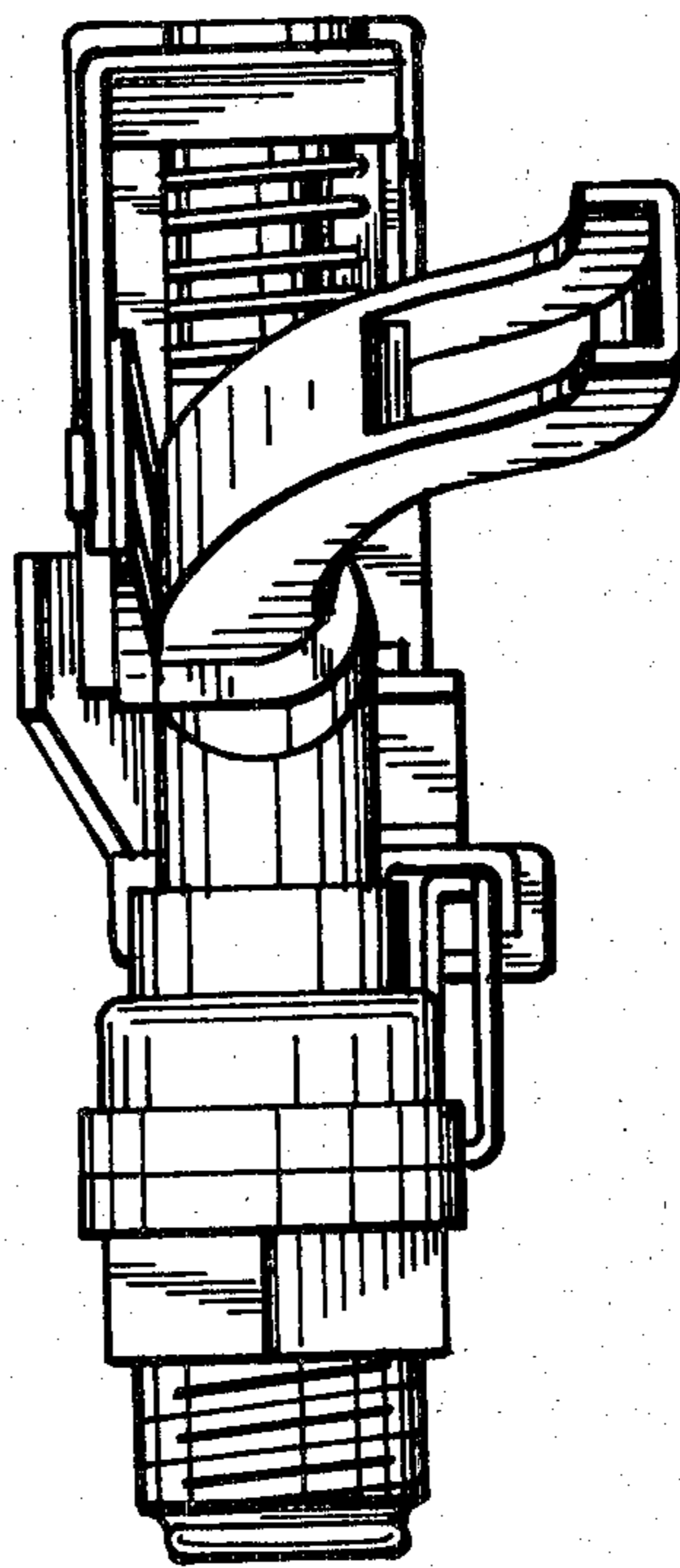


FIG. 4

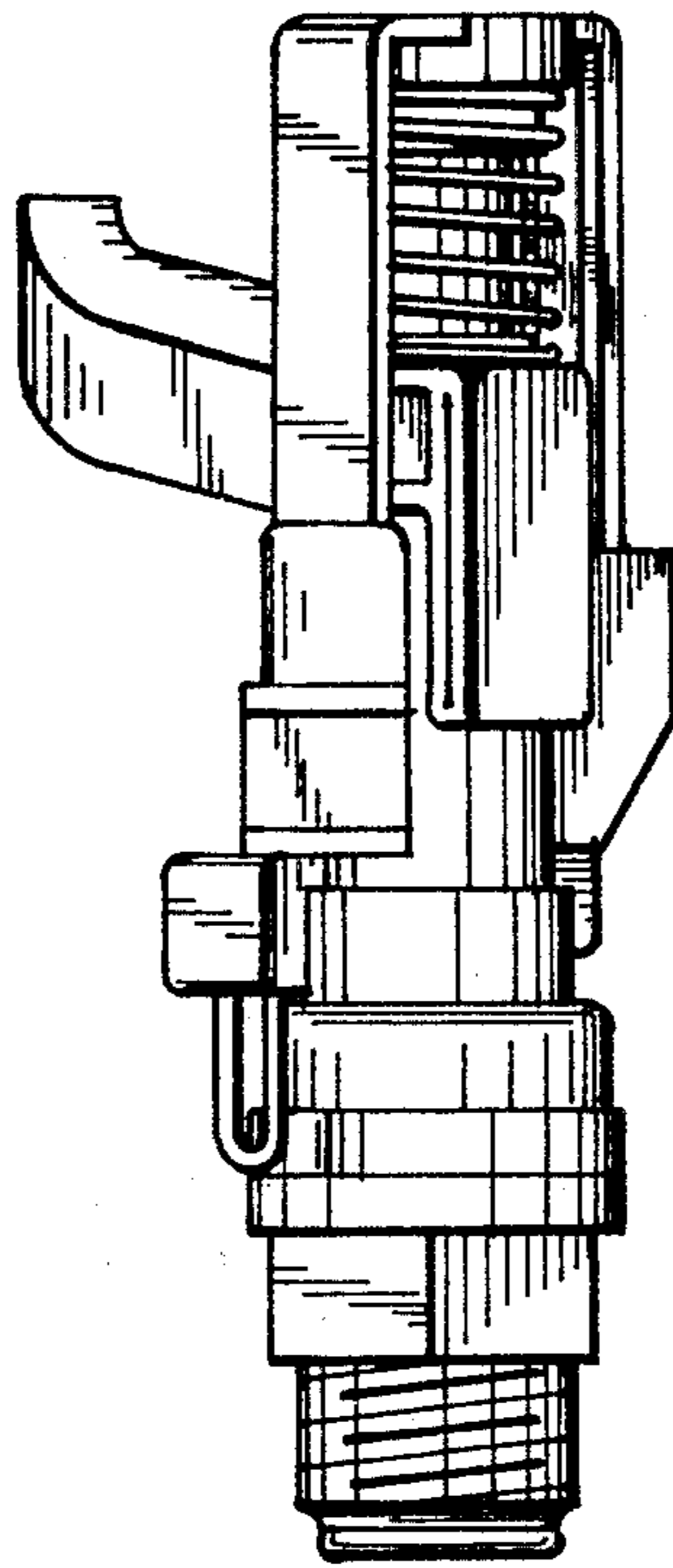


FIG. 5

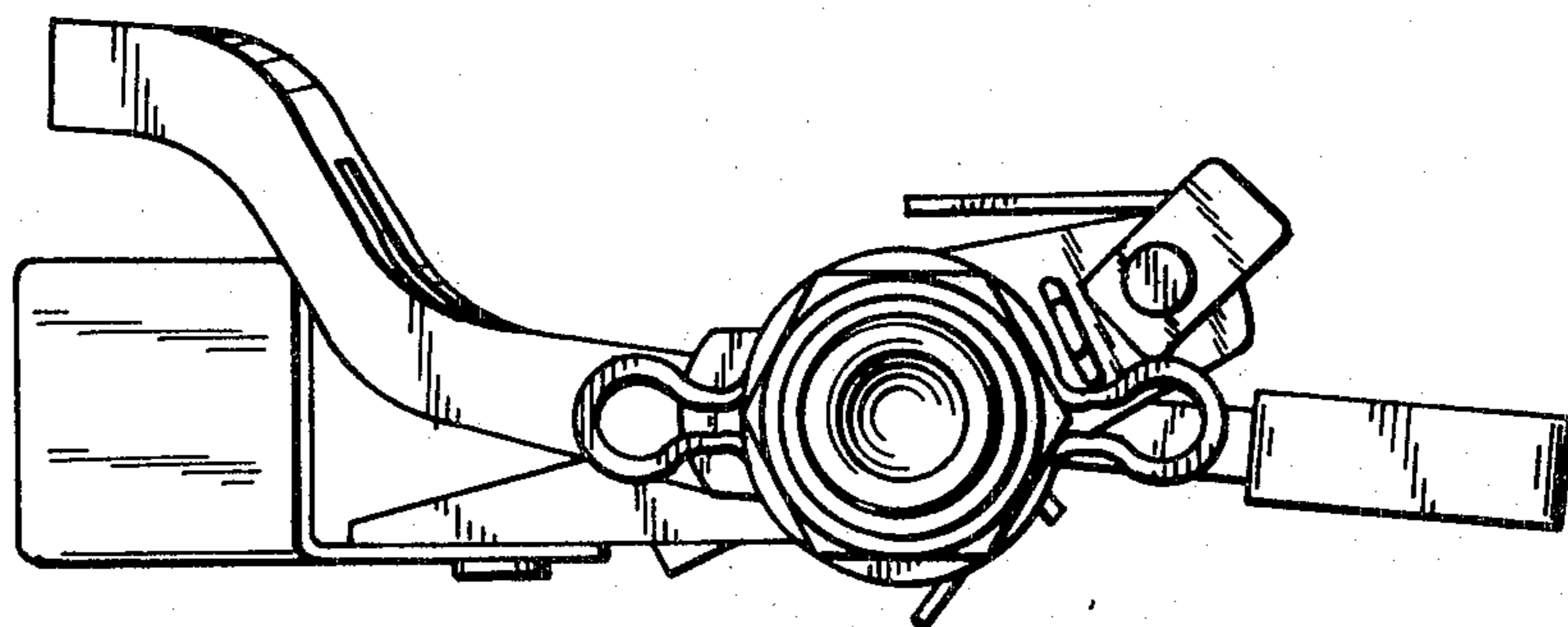
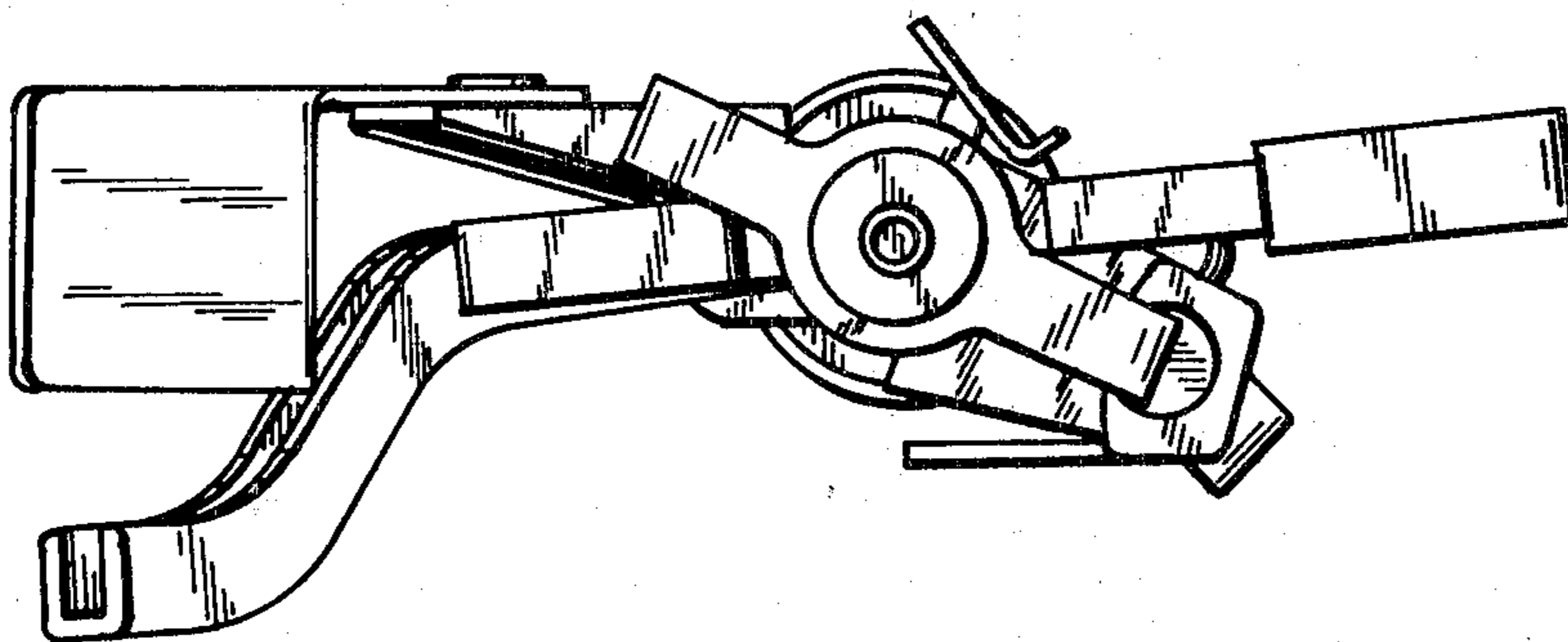


FIG. 6