

[54] COMBINED FLY TYING BOBBIN HOLDER AND THREAD GUIDE

[76] Inventor: Efton T. Carter, 109 Central Ave. West, Gates, Oreg. 97346

[\*\*] Term: 14 Years

[21] Appl. No.: 312,425

[22] Filed: Oct. 19, 1981

[52] U.S. Cl. .... D22/25; 242/129.53

[58] Field of Search ..... D15/66, 72, 78; D22/22, D22/25; D8/358; 242/84.1 R, 84.2 R, 129, 129.5, 129.51, 129.53, 140

[56] References Cited

U.S. PATENT DOCUMENTS

2,487,625	11/1949	Witkovic .....	242/129.53
2,578,045	12/1951	Conrad et al. ....	242/129.53
2,659,548	11/1953	Morgester .....	242/129.53

4,189,111 2/1980 Doiron ..... 242/140

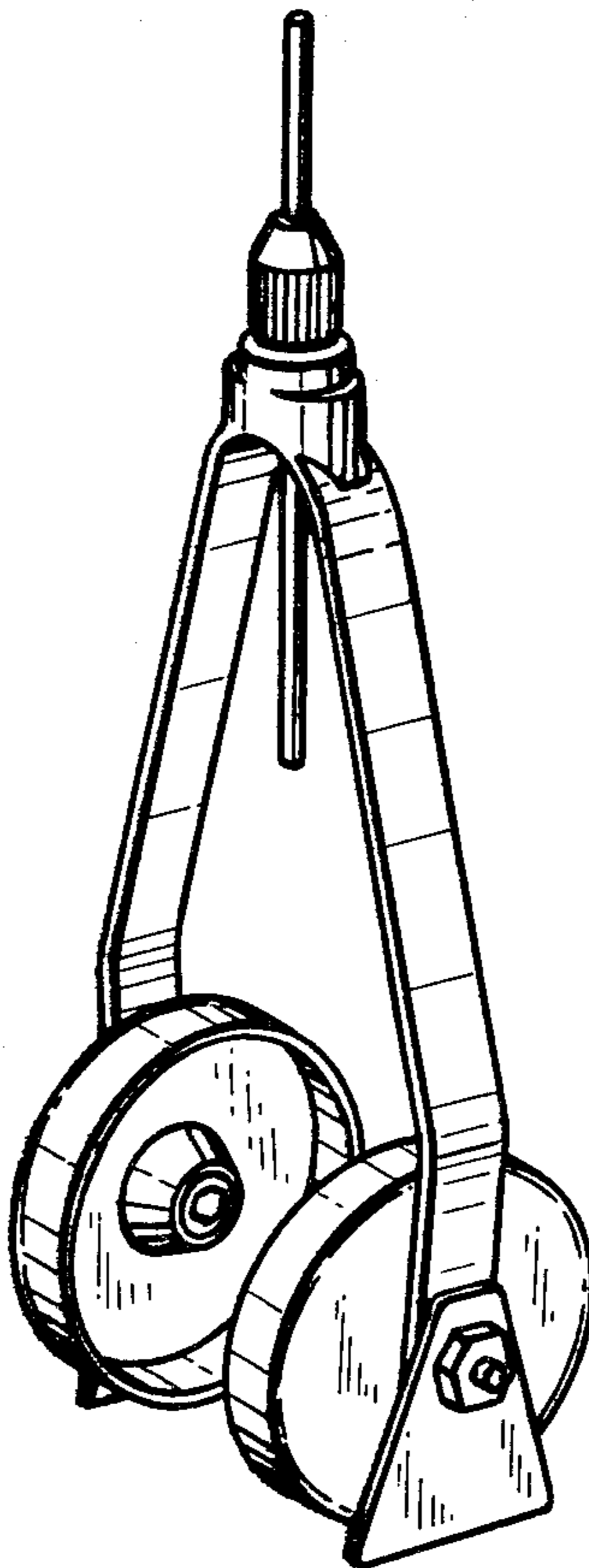
Primary Examiner—Bruce W. Dunkins  
Assistant Examiner—Carmen H. Vales  
Attorney, Agent, or Firm—Michael A. Painter

[57] CLAIM

The ornamental design for a combined fly tying bobbin holder and thread guide, substantially as shown and described.

DESCRIPTION

FIG. 1 is a front perspective view of a combined fly tying bobbin holder and thread guide showing my new design;  
FIG. 2 is a front elevational view, the rear view being identical thereto;  
FIG. 3 is a right side elevational view, the left side being identical thereto;  
FIG. 4 is a top plan view thereof; and  
FIG. 5 is a bottom plan view thereof.



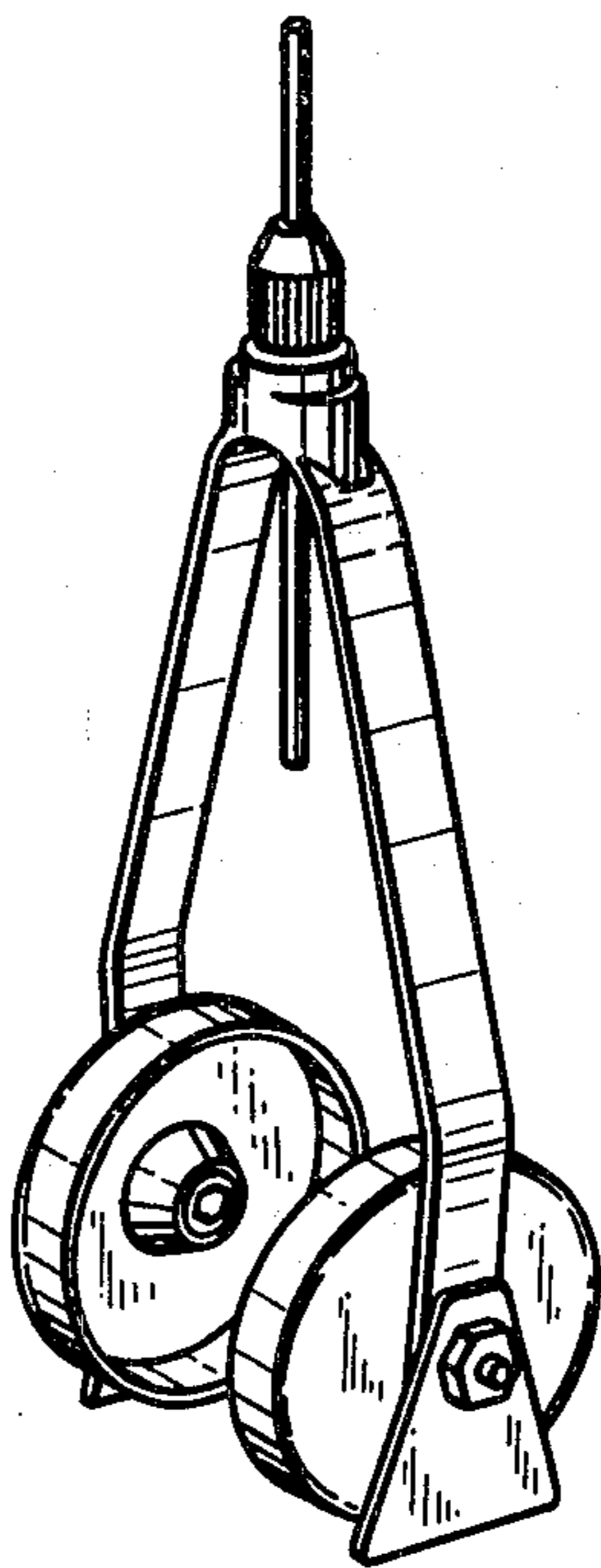


FIG. 1

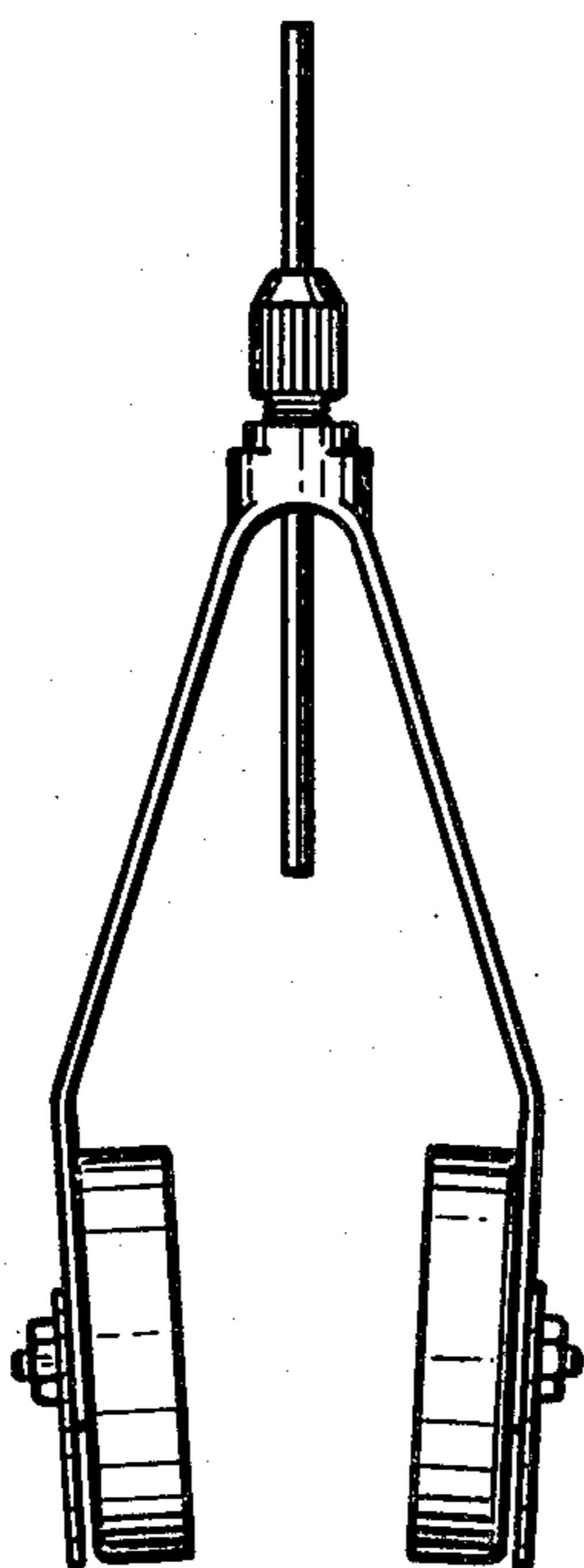


FIG. 2

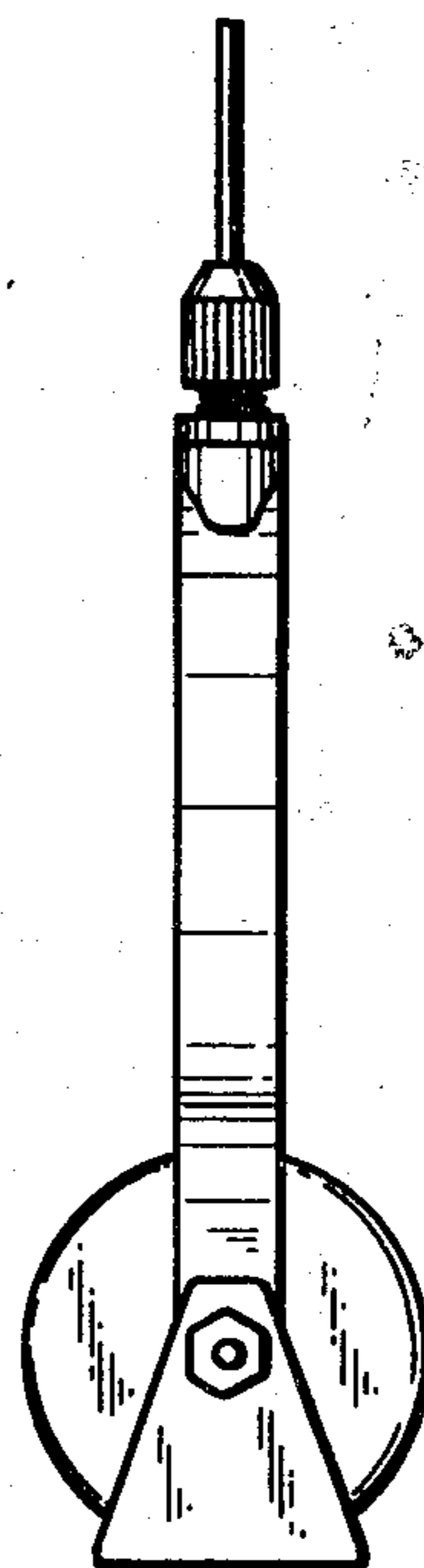


FIG. 3

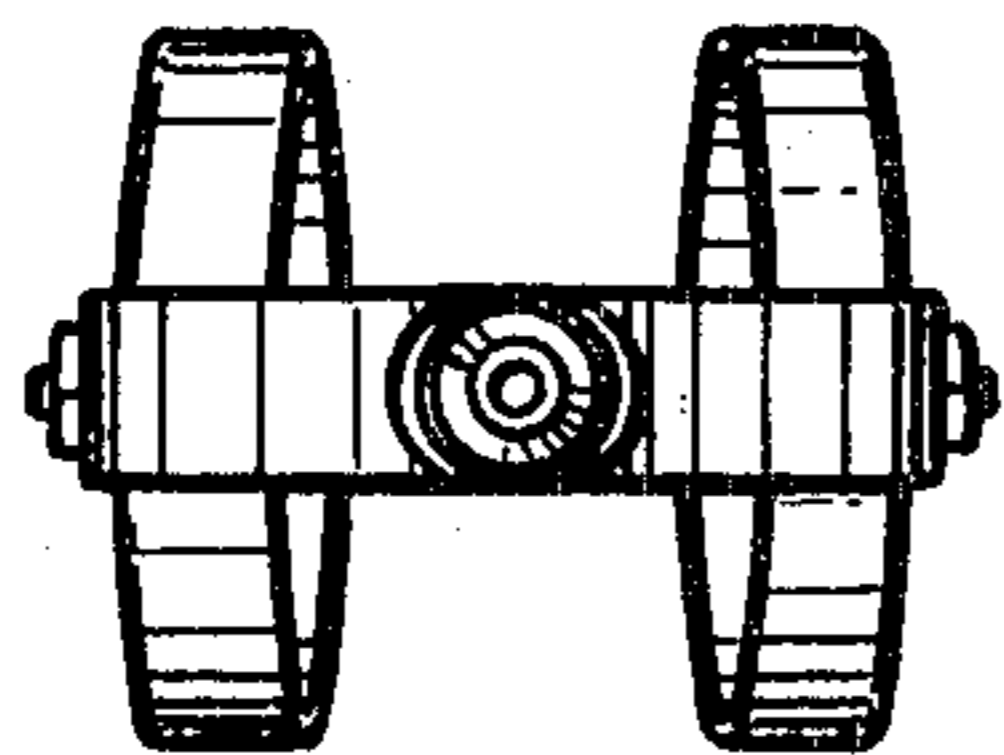


FIG. 4

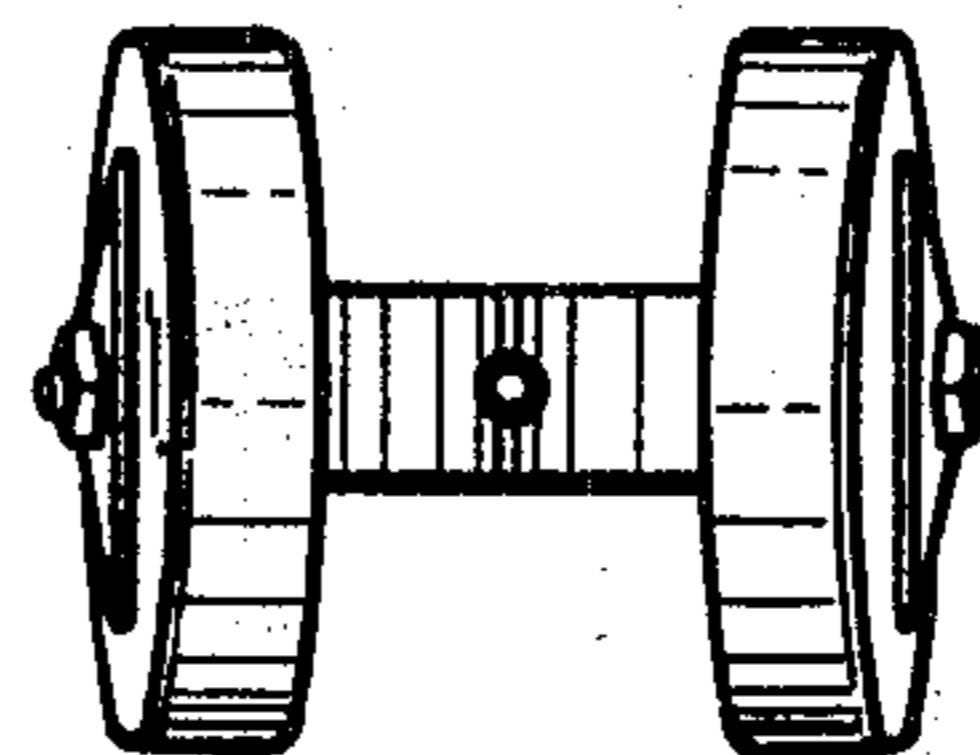


FIG. 5