

[54] TOY WATCH

[75] Inventor: Takashi Matsuda, Tokyo, Japan

[73] Assignee: Takara Co., Ltd., Tokyo, Japan

[\*\*] Term: 14 Years

[21] Appl. No.: 553,701

[22] Filed: Nov. 21, 1983

[30] Foreign Application Priority Data

Jun. 4, 1983 [JP] Japan ..... 58-85426  
 [52] U.S. Cl. .... D21/144  
 [58] Field of Search ..... D21/109, 120, 124, 144,  
 D21/166; 46/1 A, 39, 47, 174, 115, 116;  
 D10/31, 33, 32, 39; 368/10, 45, 276, 278, 281,  
 282, 283, 285, 327

[56] References Cited

U.S. PATENT DOCUMENTS

D. 237,383 10/1975 Freeman ..... D21/166  
 D. 261,532 10/1981 Tabata ..... D19/64  
 D. 272,933 3/1984 Murakami ..... D21/166  
 3,277,646 10/1966 Howard, Sr. .  
 3,603,493 9/1971 Fröhlich ..... D10/32  
 4,307,459 12/1981 Iwao .

FOREIGN PATENT DOCUMENTS

12681 3/1983 Australia .  
 12682 3/1983 Australia .  
 58165881 3/1983 Japan .  
 58188480 4/1983 Japan .

OTHER PUBLICATIONS

Jewellers' Circular-Keystone, 8-1963, "Bug-A-Boo" Watch.

Tokima advertising package, Mar. 1983.

Primary Examiner—Charles A. Rademaker

Attorney, Agent, or Firm—Jackson, Jones & Price

[57] CLAIM

The ornamental design for a toy watch, substantially as shown and described.

DESCRIPTION

FIG. 1 is a front elevational view of a toy watch showing my new design;  
 FIG. 2 is a right side elevational view thereof, the side opposite being a mirror image;  
 FIG. 3 is a rear elevational view thereof;  
 FIG. 4 is a top plan view thereof;  
 FIG. 5 is a bottom plan view thereof;  
 FIG. 6 is a front elevational view of the watch assembly shown removed from the strap member;  
 FIG. 7 is a right side elevational view thereof;  
 FIG. 8 is a rear elevational view thereof;  
 FIG. 9 is a top plan view thereof;  
 FIG. 10 is a bottom plan view thereof;  
 FIG. 11 is a left side elevational view thereof;  
 FIG. 12 is a perspective view of the strap member with the watch assembly removed;  
 FIG. 13 is another front elevational view of the watch assembly similar to FIG. 6 but showing portions thereof in alternate positions;  
 FIG. 14 is a right side elevational view thereof;  
 FIG. 15 is a rear elevational view thereof;  
 FIG. 16 is a top plan view thereof;  
 FIG. 17 is a bottom plan view thereof; and  
 FIG. 18 is a left side elevational view thereof.

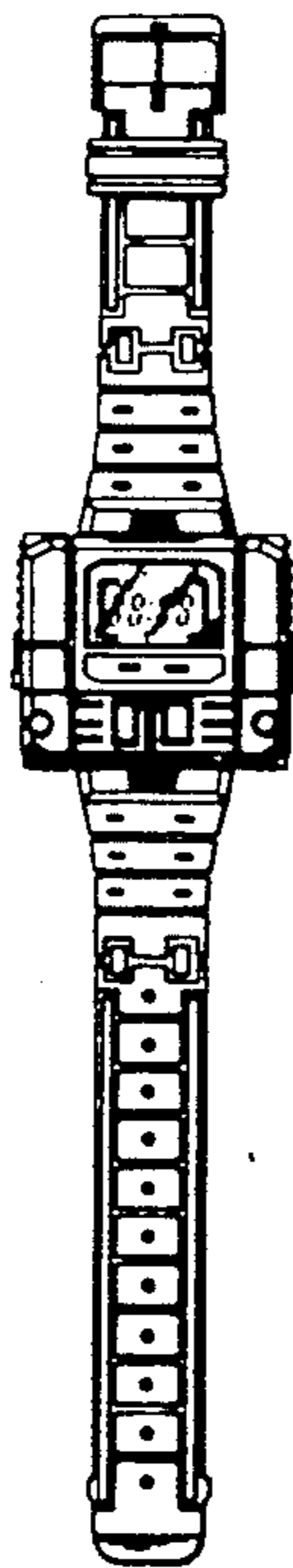


FIG. 1

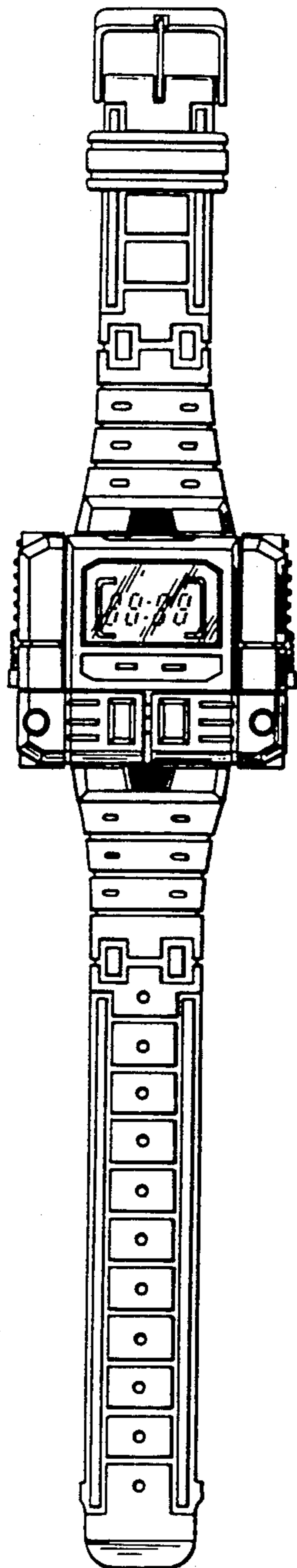


FIG. 2

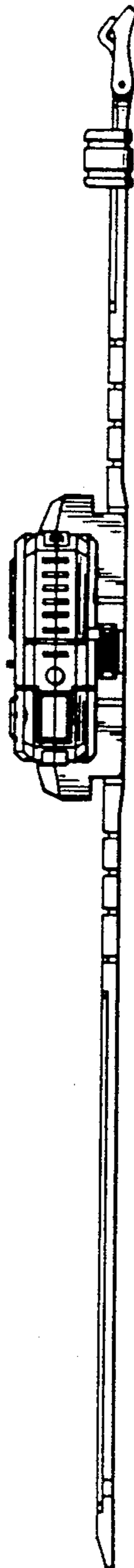


FIG. 3

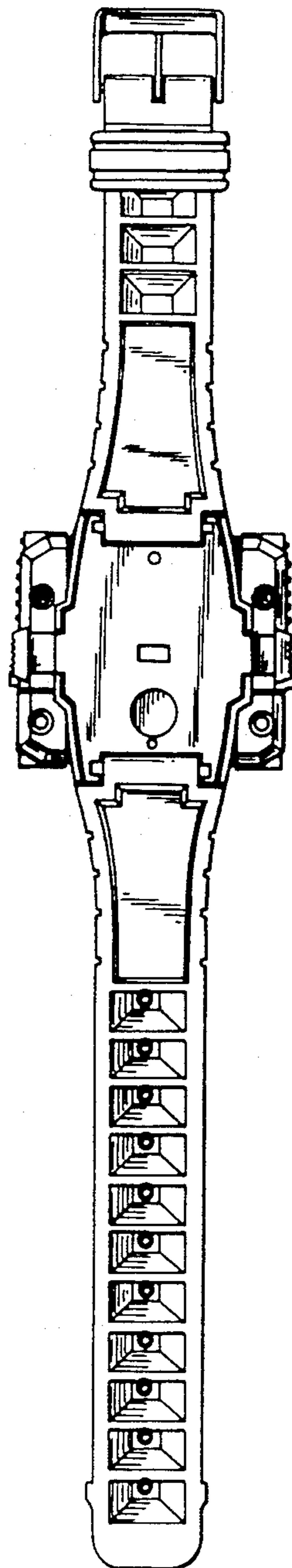


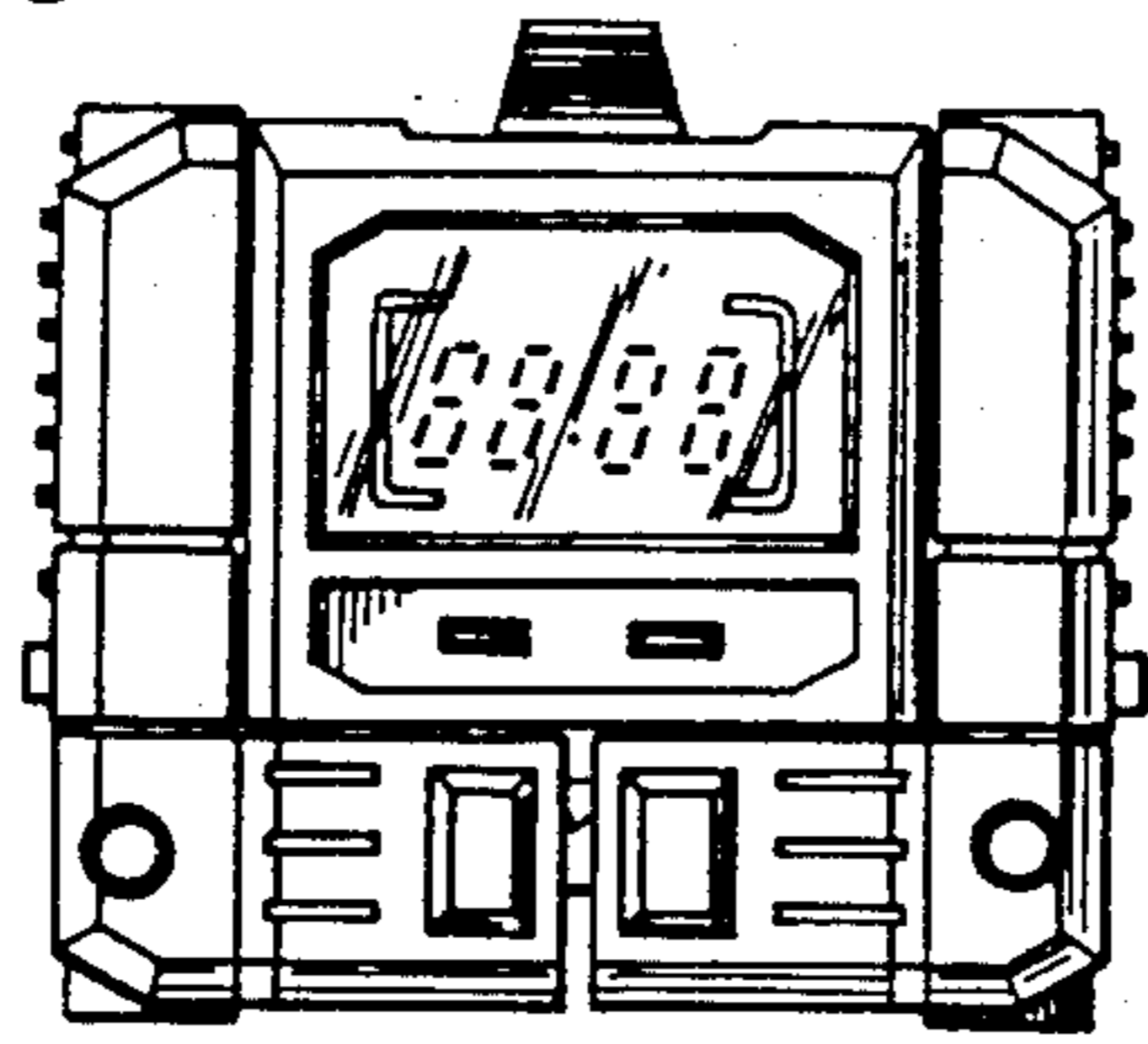
FIG. 4



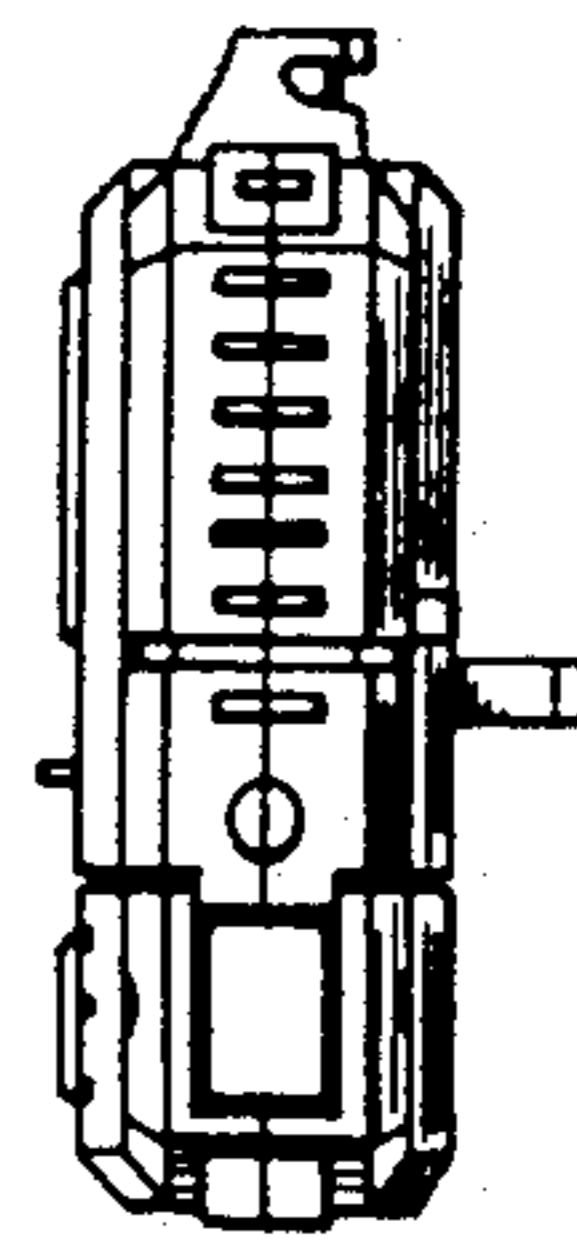
FIG. 5



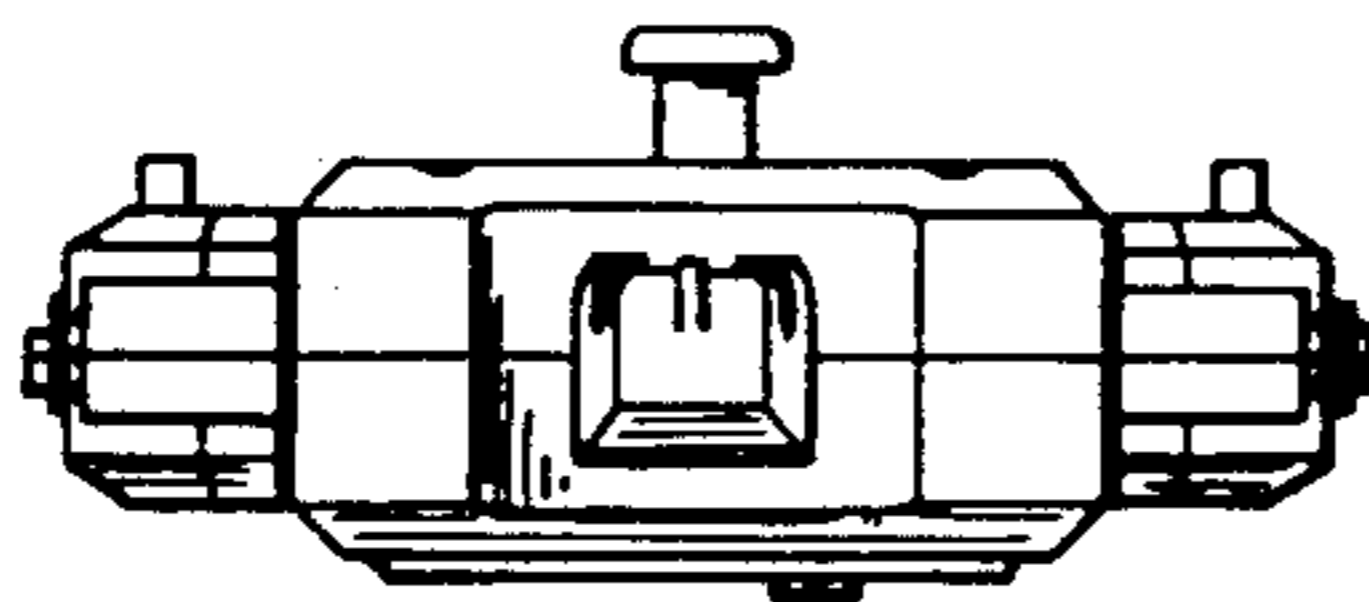
**FIG.6**



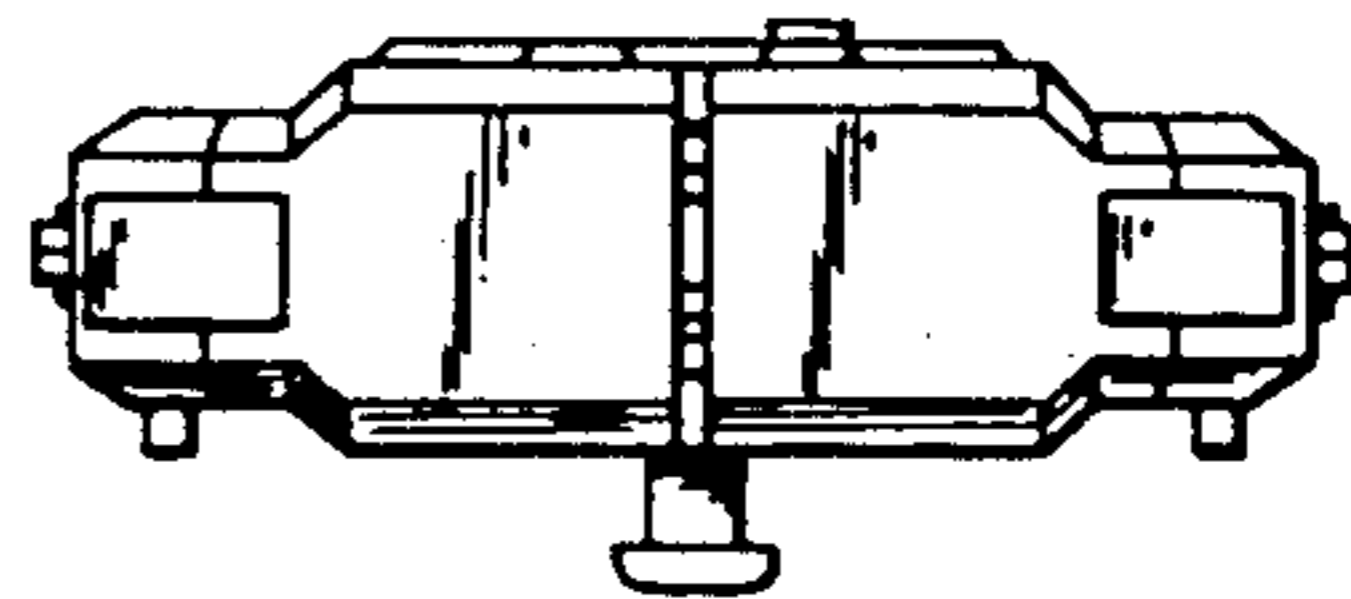
**FIG.7**



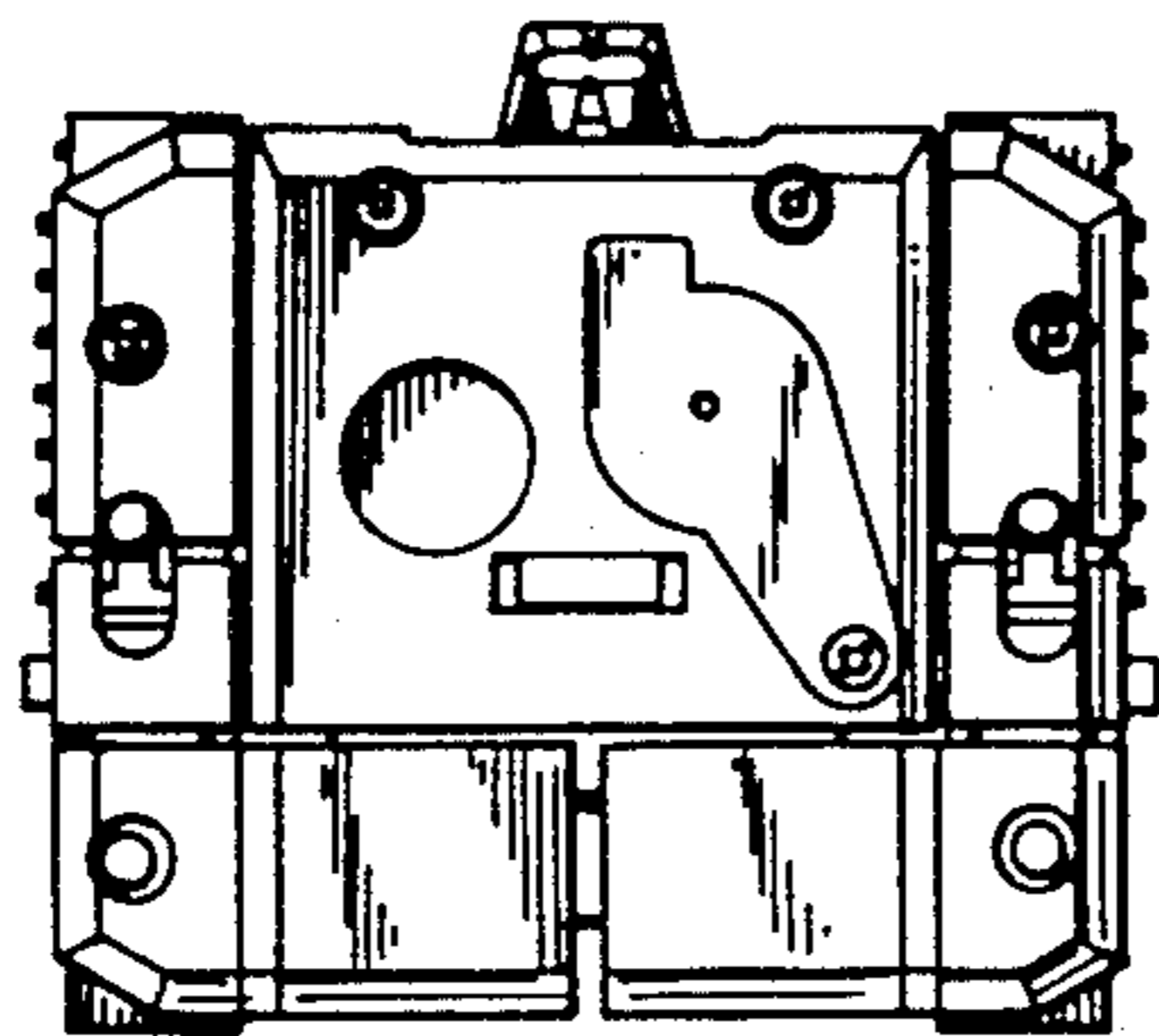
**FIG.9**



**FIG.10**



**FIG.8**



**FIG.11**

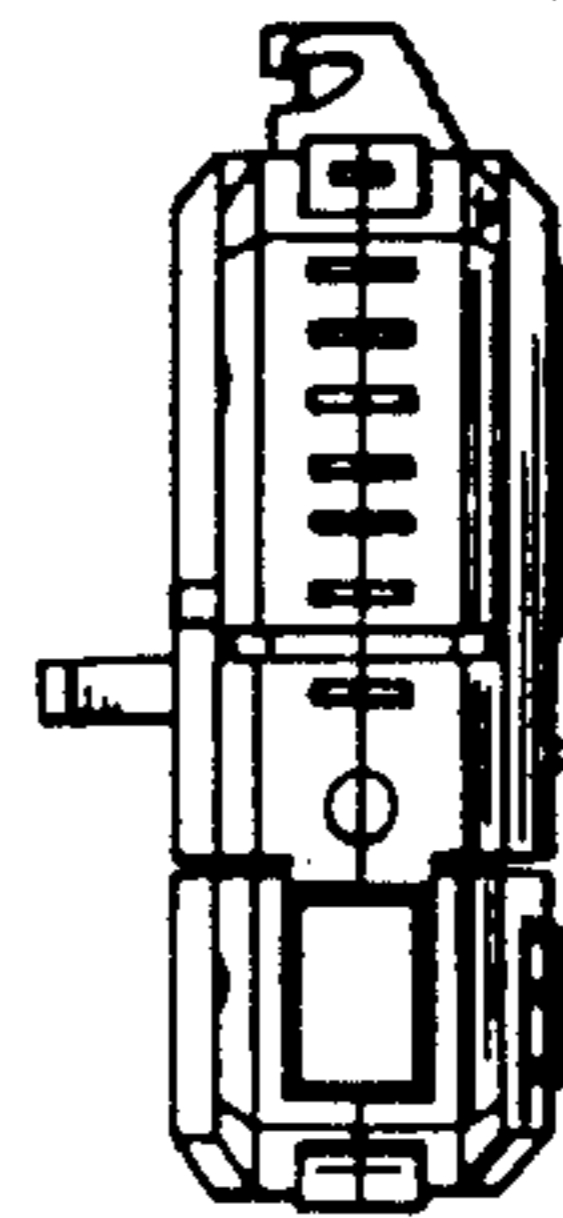


FIG.12

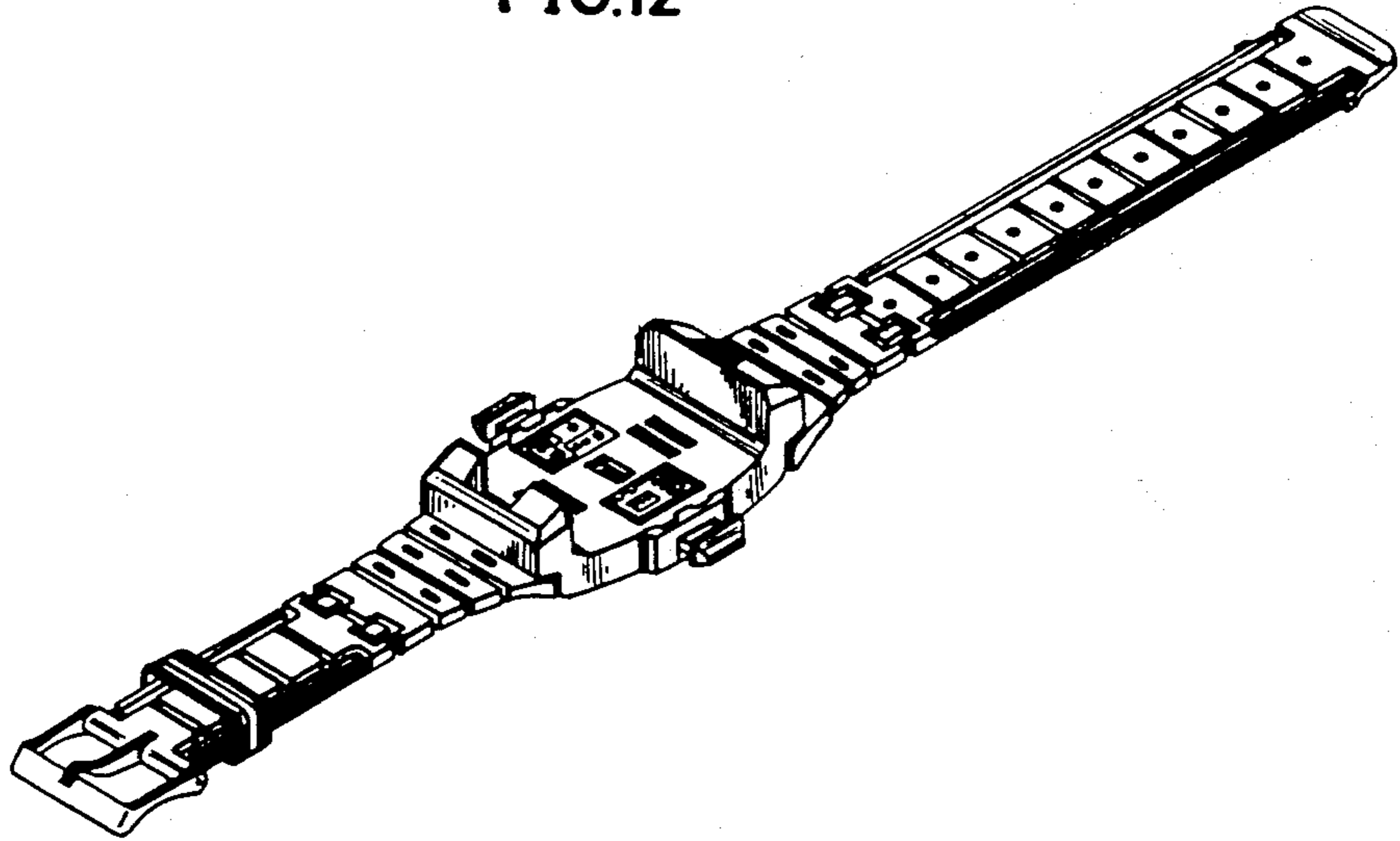


FIG.13

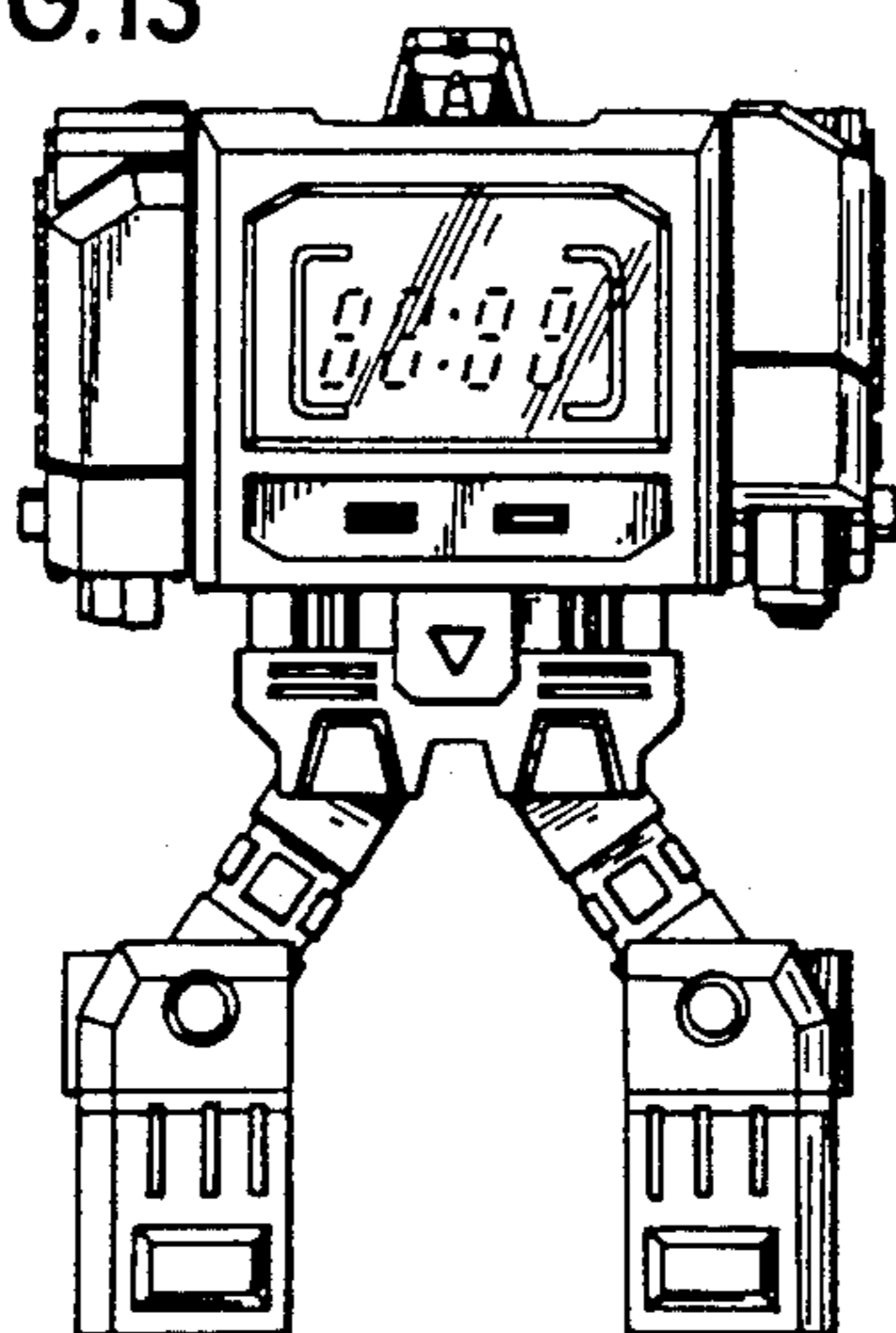


FIG.14

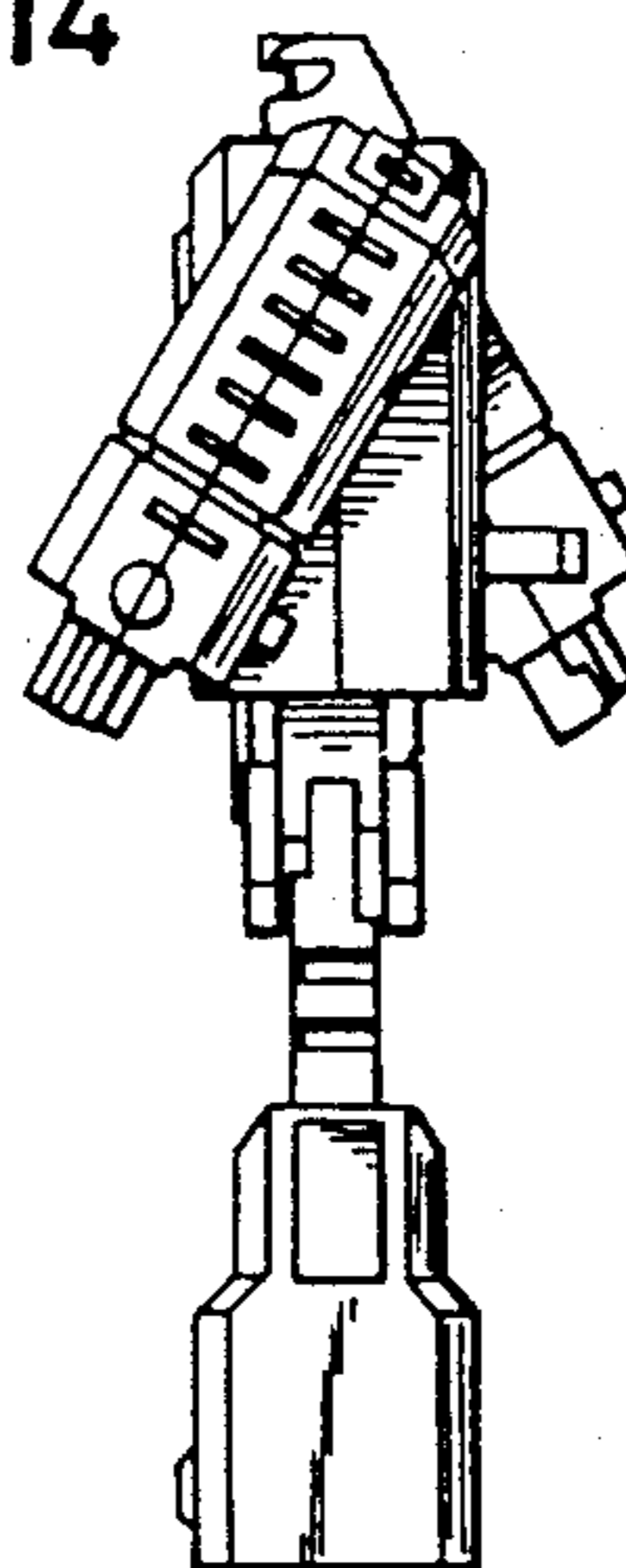


FIG.16

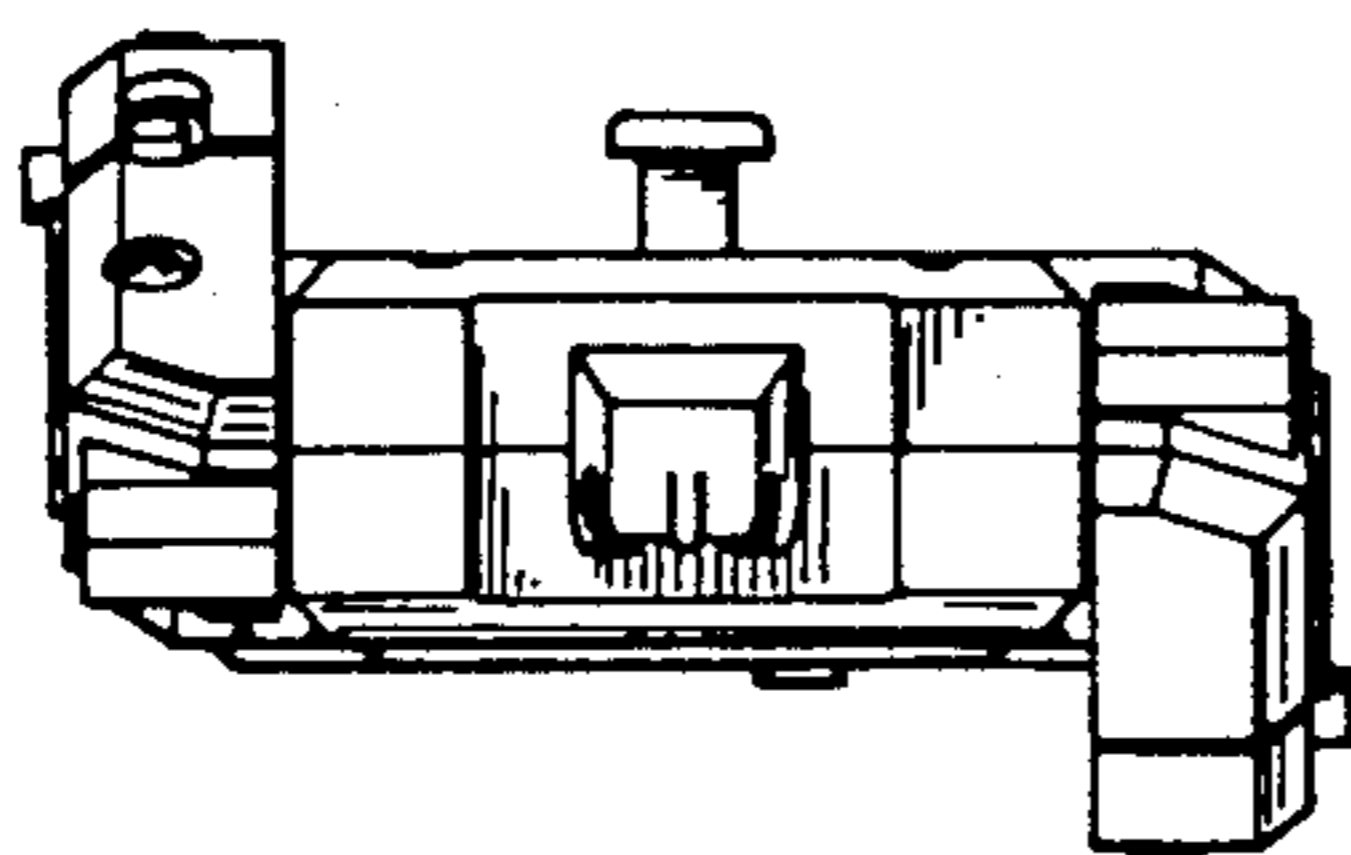


FIG.17

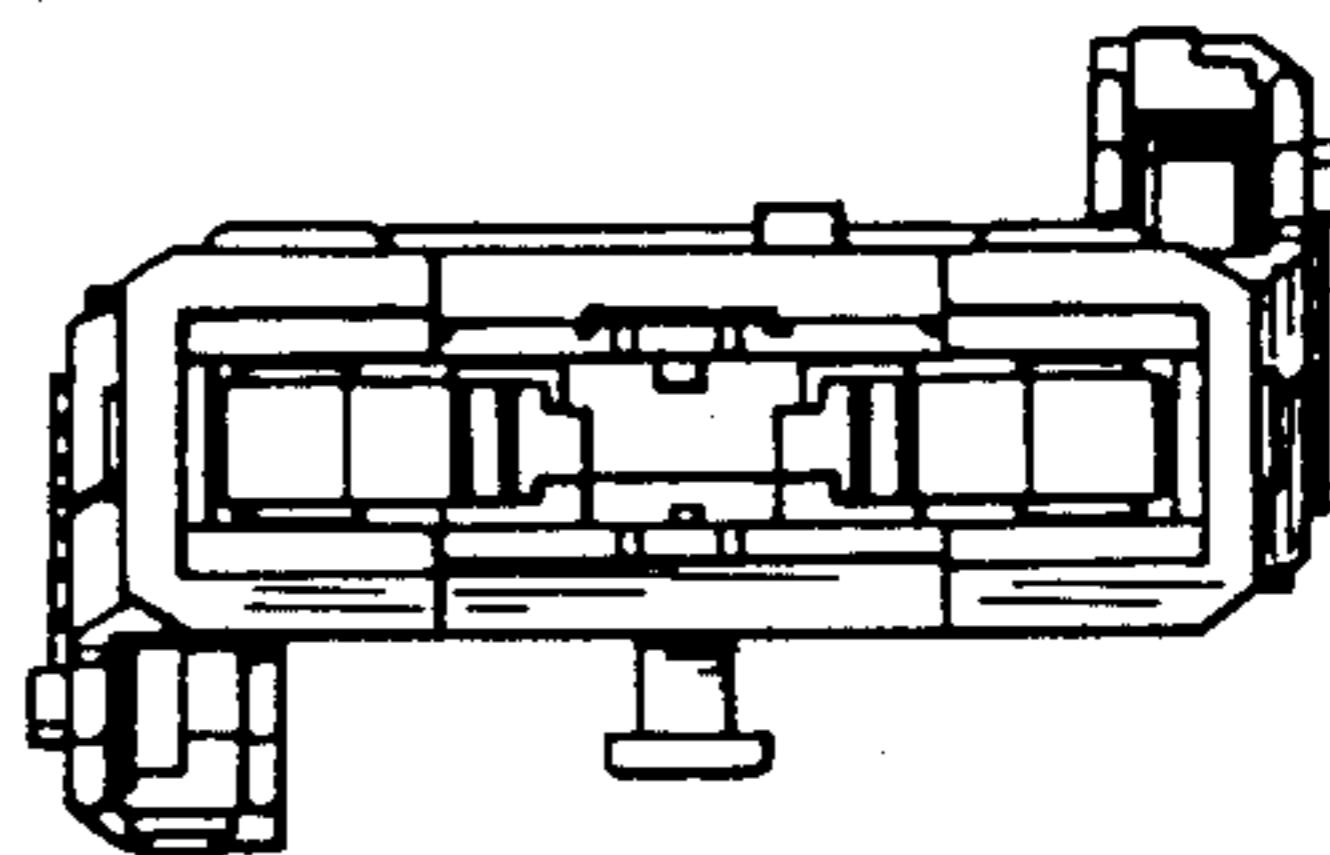


FIG.15

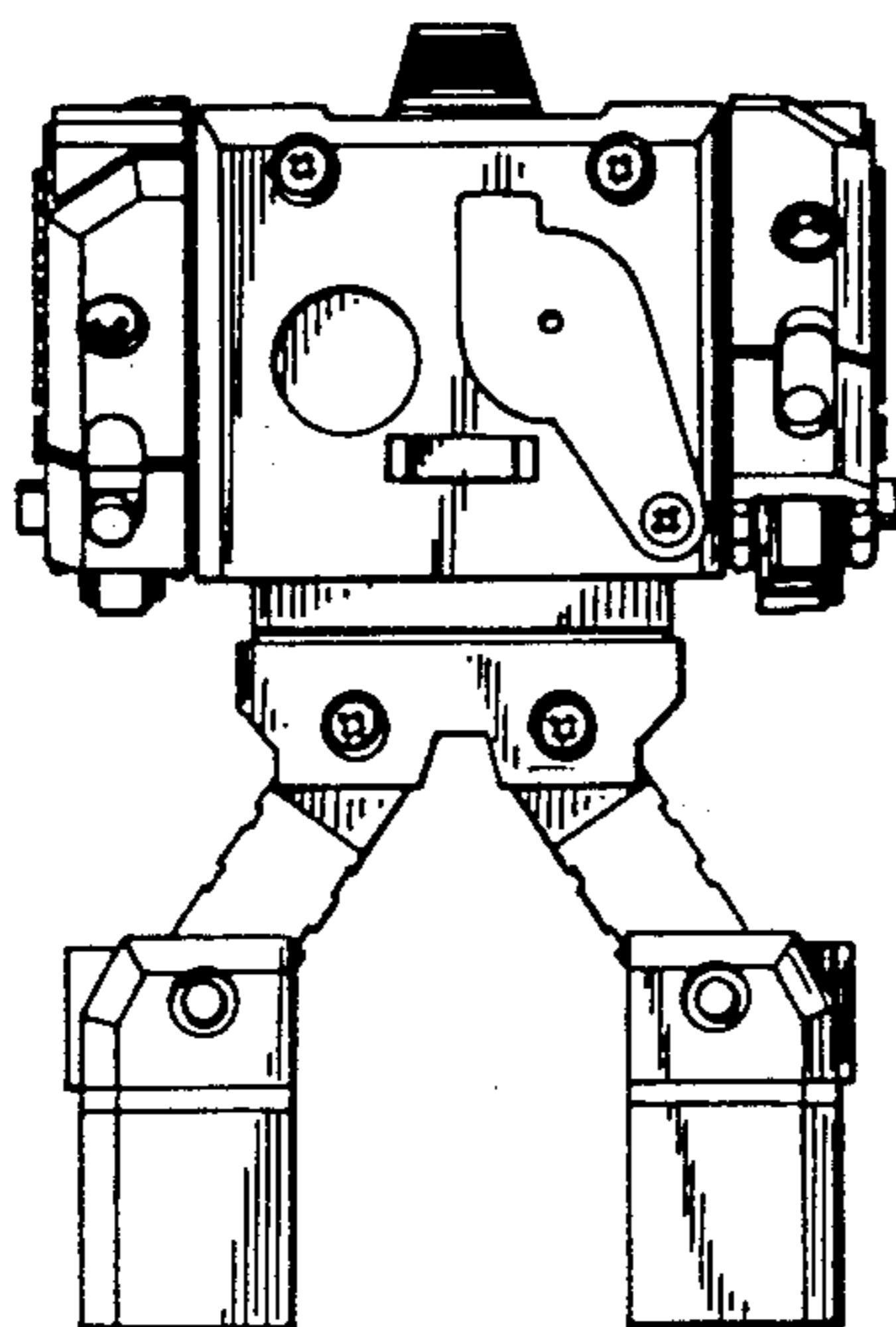


FIG.18

