

# United States Patent [19]

Murakami

[11] Patent Number: **Des. 275,583**

[45] Date of Patent: **\*\* Sep. 18, 1984**

[54] **SIMULATIVE TOY CAR**

[75] Inventor: **Katsushi Murakami, Tokyo, Japan**

[73] Assignee: **Bandai Co., Ltd., Tokyo, Japan**

[\*\*] Term: **14 Years**

[21] Appl. No.: **355,263**

[22] Filed: **Mar. 5, 1982**

[52] U.S. Cl. .... **D21/128**

[58] Field of Search ..... **D21/73, 76, 80, 128,  
D21/134, 136, 137, 140; 46/201, 210, 222, 223;  
D2/230, 231, 232; D12/83**

[56] **References Cited**

**U.S. PATENT DOCUMENTS**

D. 187,383 3/1960 Dalton ..... D21/80  
D. 256,482 8/1980 Brown ..... D21/136

3,843,157 10/1974 Wyman ..... D21/78

*Primary Examiner*—Charles A. Rademaker  
*Attorney, Agent, or Firm*—R. Gale Rhodes, Jr.

[57] **CLAIM**

The ornamental design for simulative toy car, as shown and described.

**DESCRIPTION**

FIG. 1 is a top plan view of a simulative toy car showing my new design;  
FIG. 2 is a right side elevational view thereof, the side opposite being substantially a mirror image;  
FIG. 3 is a front elevational view thereof;  
FIG. 4 is a bottom plan view thereof;  
FIG. 5 is a rear elevational view thereof; and  
FIG. 6 is a cross-sectional view thereof taken along line 6—6 in FIG. 5.

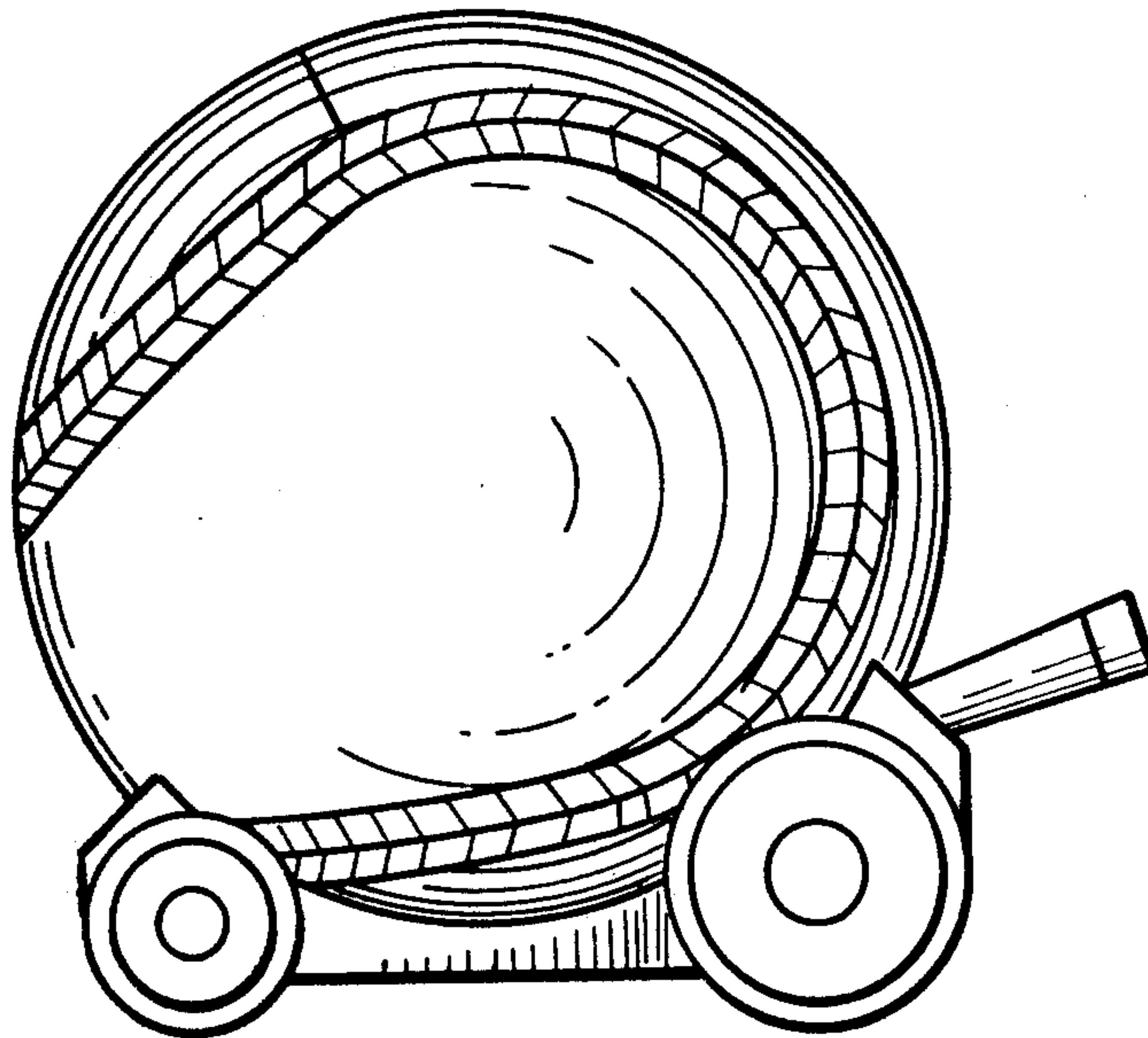


FIG. 1

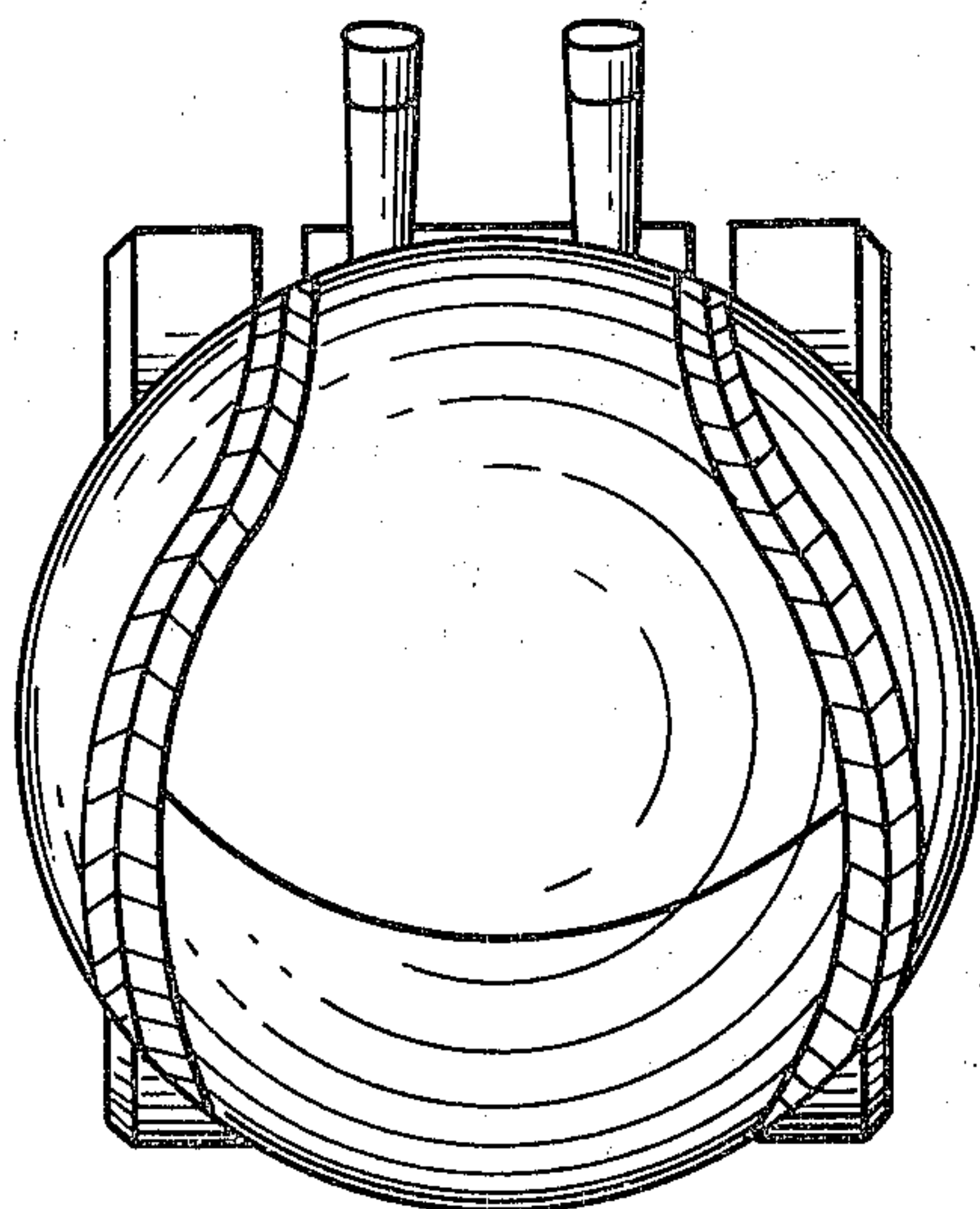


FIG. 4

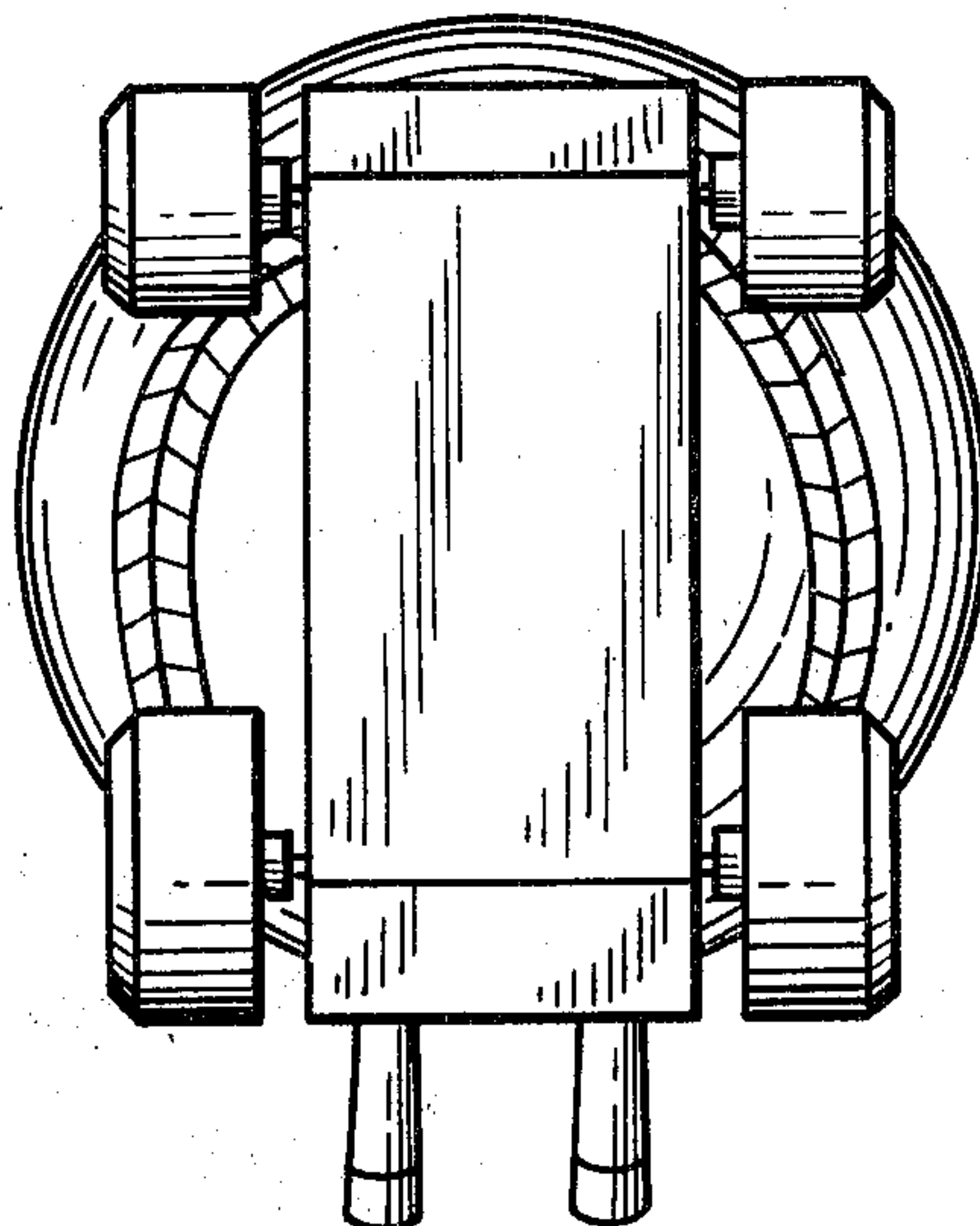


FIG. 2

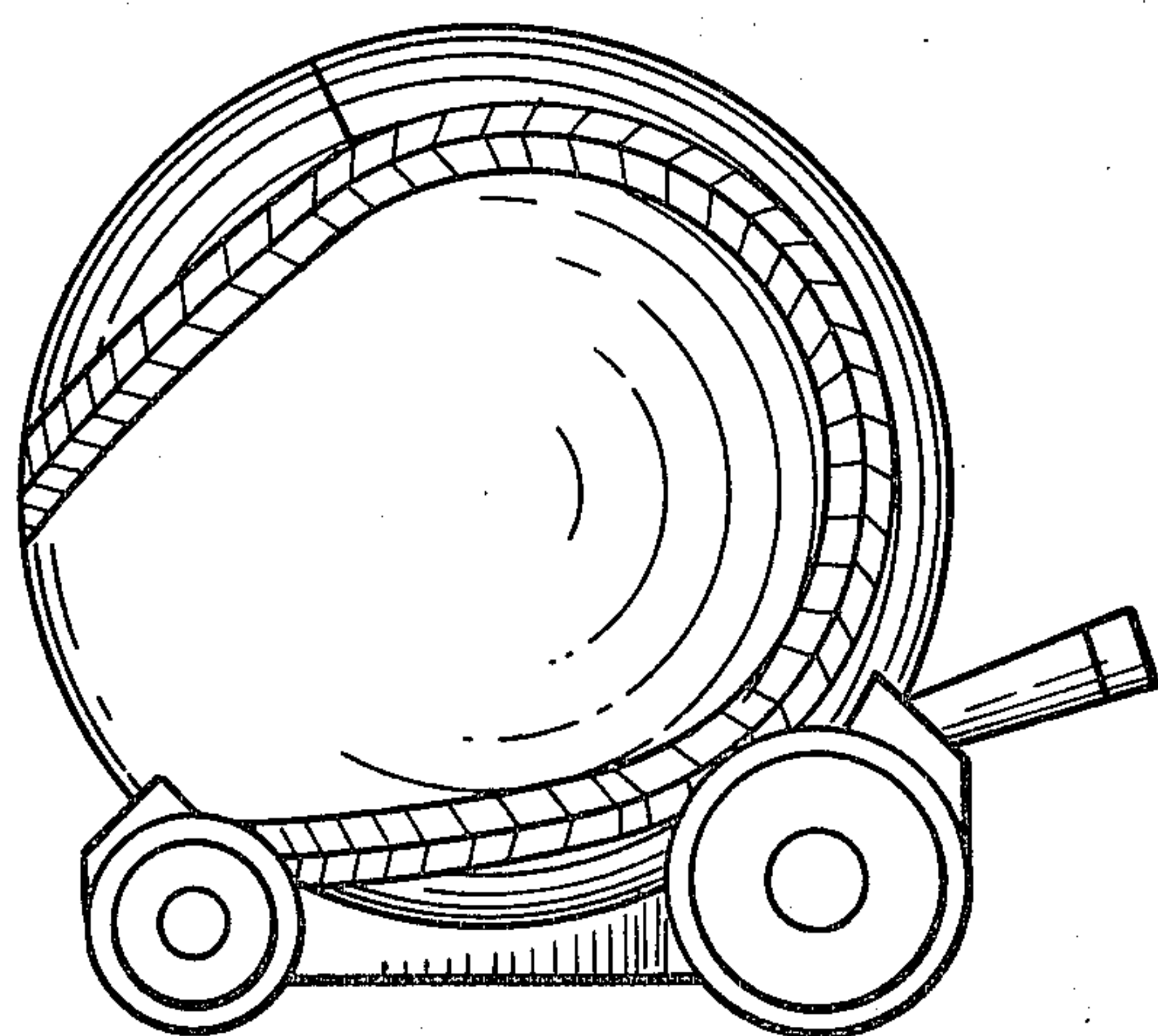
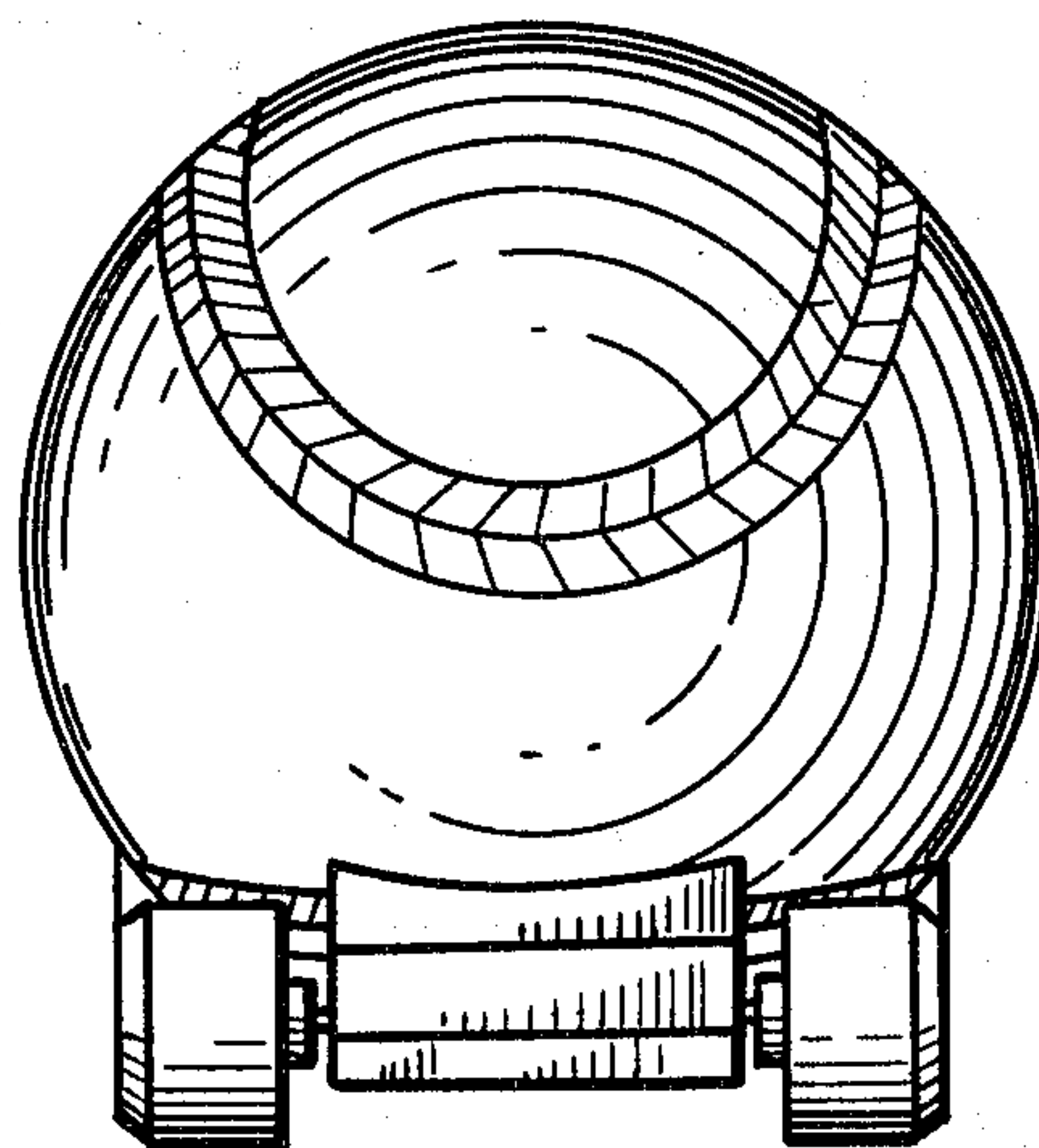
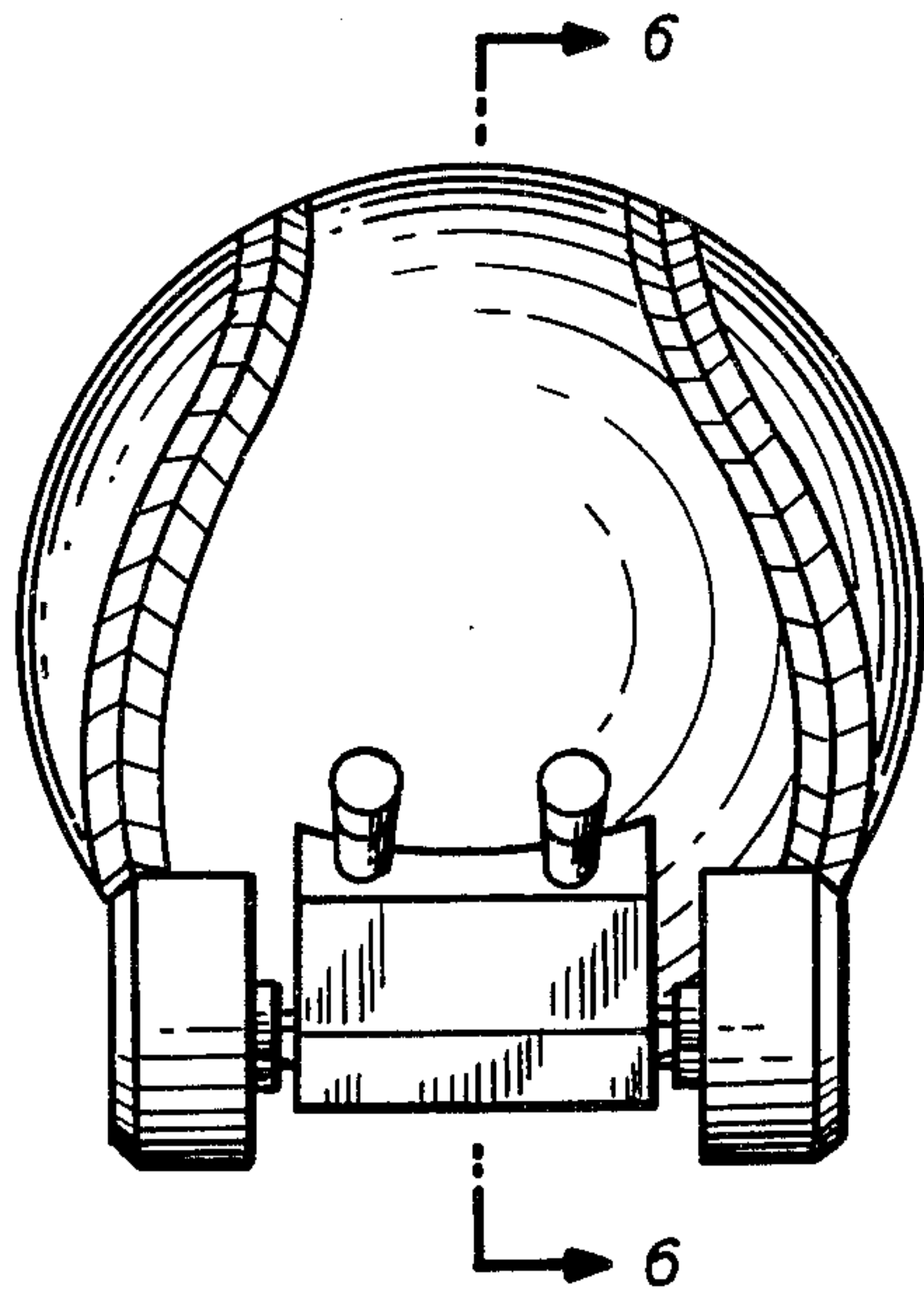


FIG. 3



**FIG. 5**



**FIG. 6**

