

[54] EYEGLASS FRAME

[75] Inventor: Richard E. Feinbloom, New York, N.Y.

[73] Assignee: Designs for Vision, Inc., New York, N.Y.

[**] Term: 14 Years

[21] Appl. No.: 419,566

[22] Filed: Sep. 17, 1982

[52] U.S. Cl. D16/113

[58] Field of Search D16/100-123;
351/41, 44, 45, 46, 51, 52, 54, 55, 57, 60-63,
80-110

[56] References Cited

U.S. PATENT DOCUMENTS

D. 206,685	1/1967	Weissman	D16/113
2,534,748	12/1950	Willson	351/44 X
2,574,896	11/1951	Tanis	351/106 X
3,685,889	8/1972	Thatcher	351/41 X

FOREIGN PATENT DOCUMENTS

982206 7/1954 France 351/44

Primary Examiner—Susan J. Lucas
Attorney, Agent, or Firm—Arthur L. Plevy

[57] CLAIM

The ornamental design for an eyeglass frame, as shown and described.

DESCRIPTION

FIG. 1 is a perspective view of the eyeglass frame showing my new design;

FIG. 2 is a front elevational view thereof on an enlarged scale;

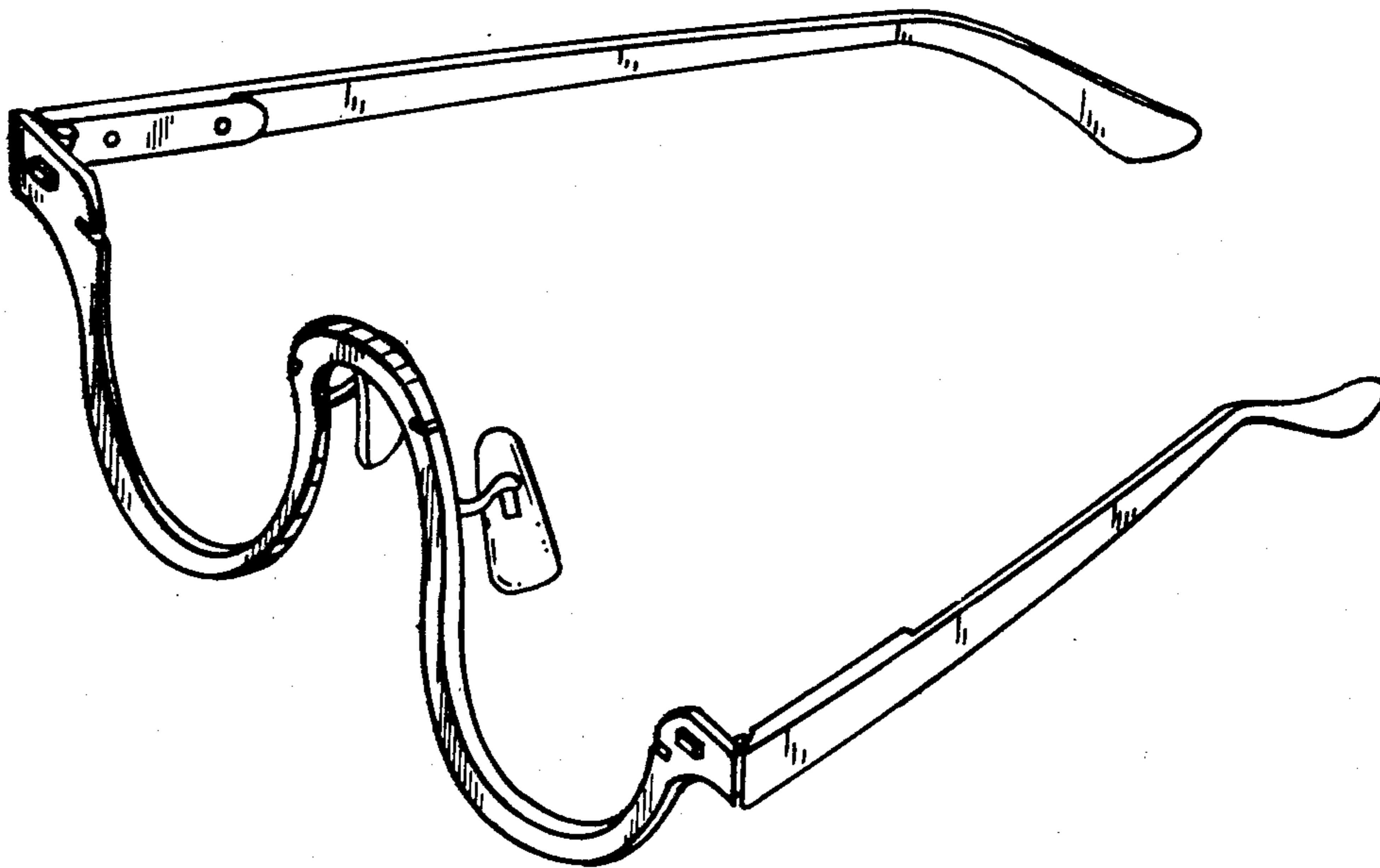
FIG. 3 is a cross-sectional view thereof as seen on line 3—3 of FIG. 2.

FIG. 4 is a top plan view thereof on an enlarged scale;

FIG. 5 is a side elevational view thereof on an enlarged scale.

The temples are omitted in FIGS. 2 and 3 for convenience of illustration.

It is noted that the right and left side plan views are the same.



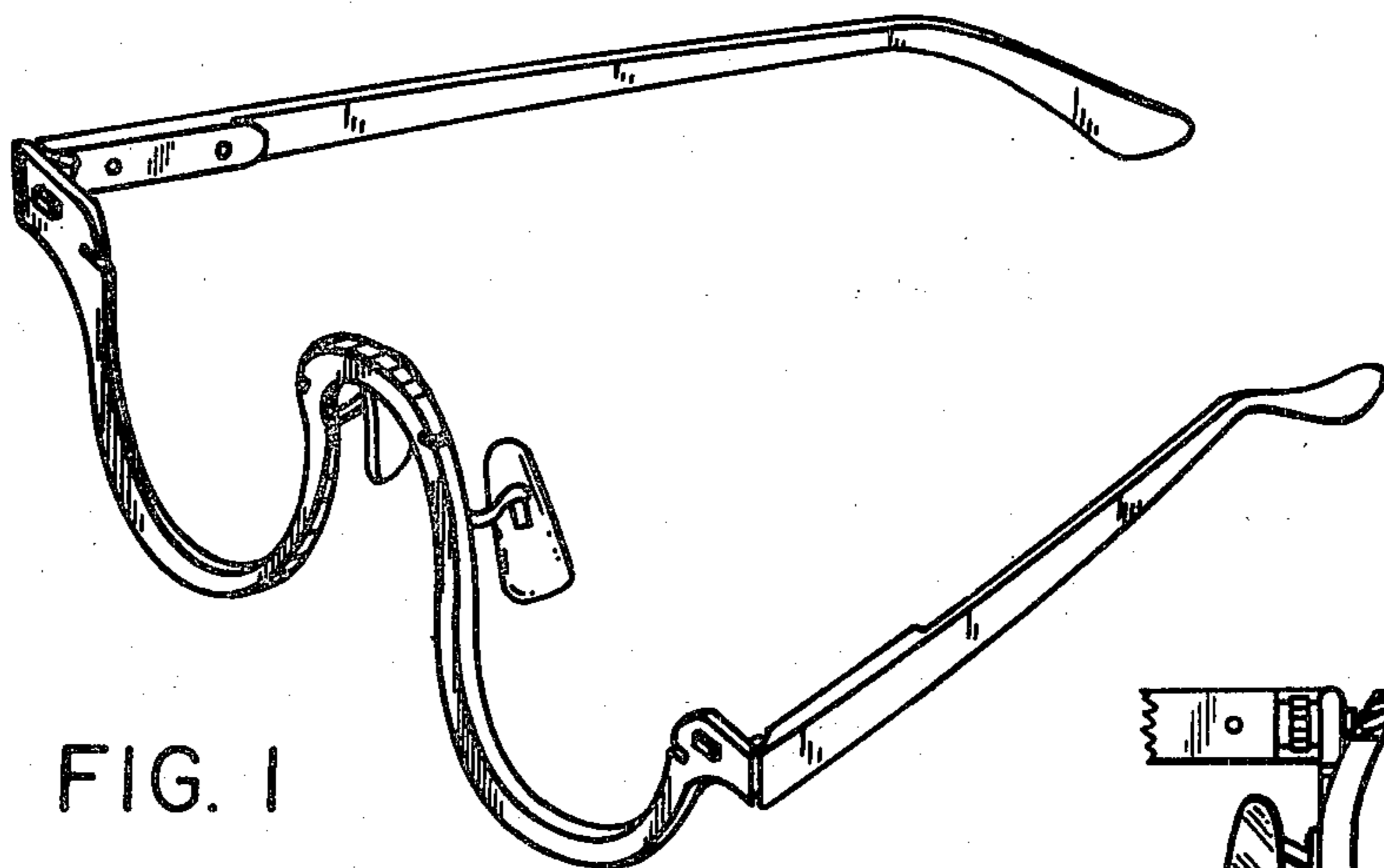


FIG. 1

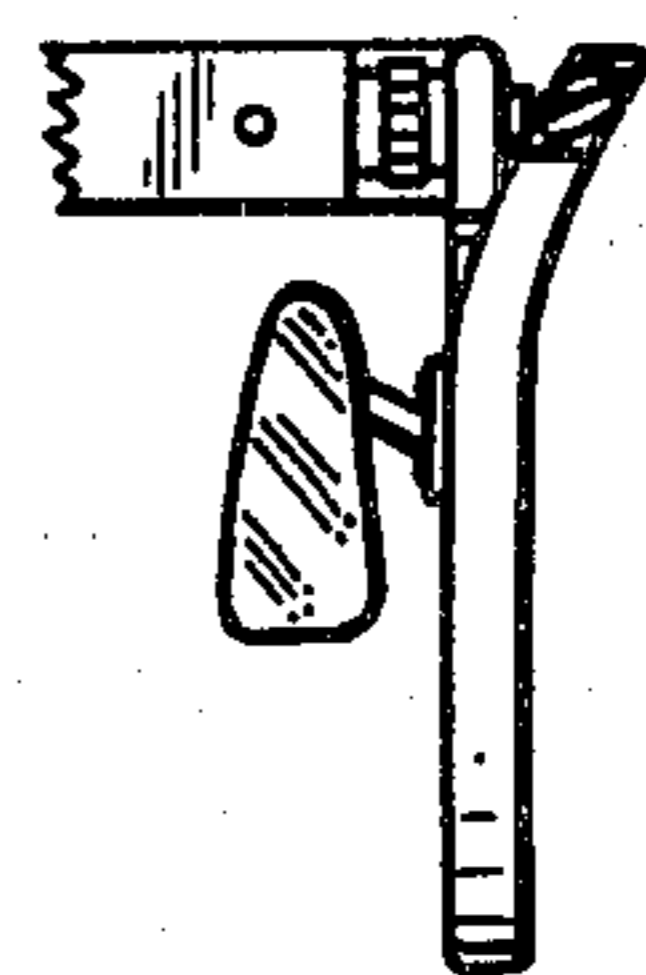


FIG. 3

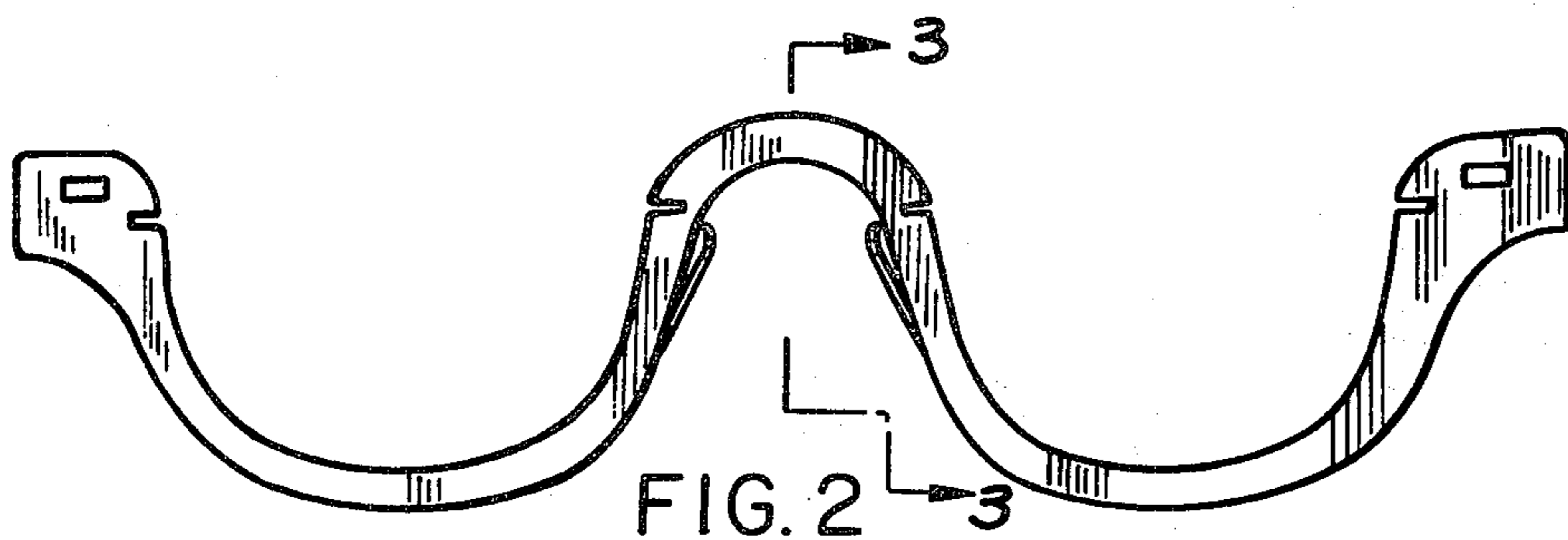


FIG. 2

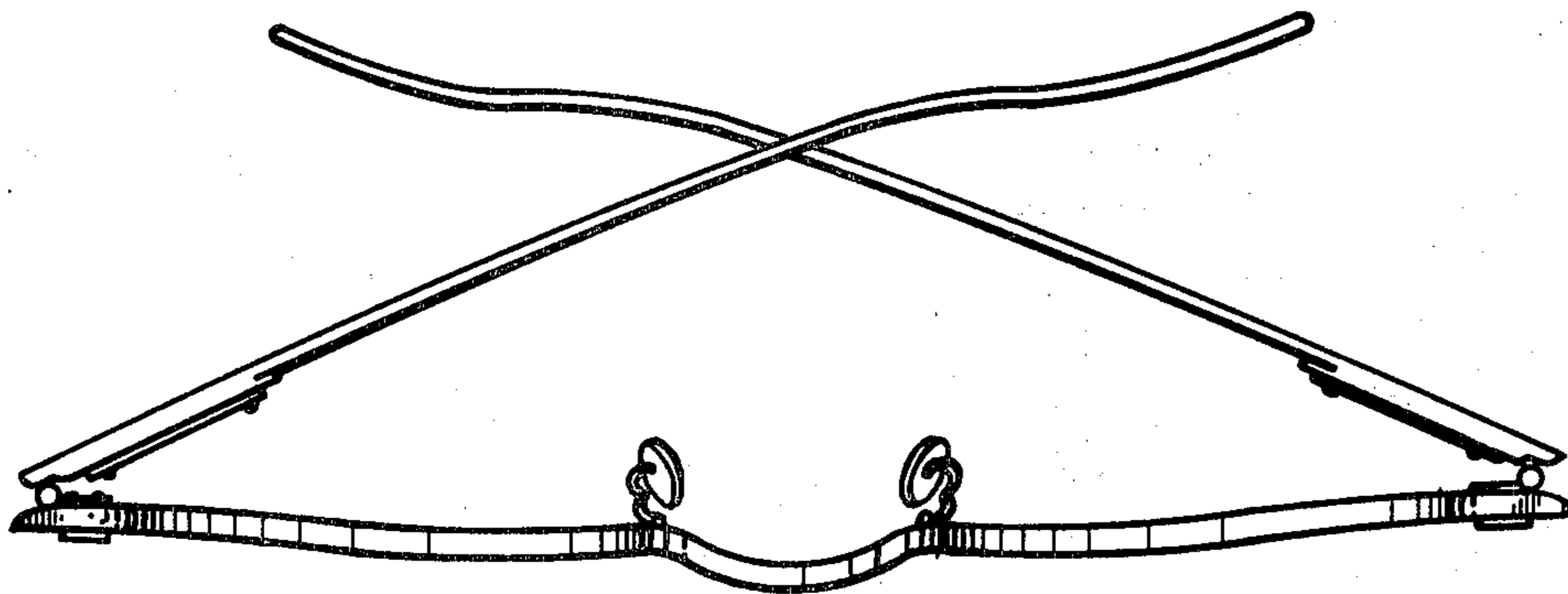


FIG. 4

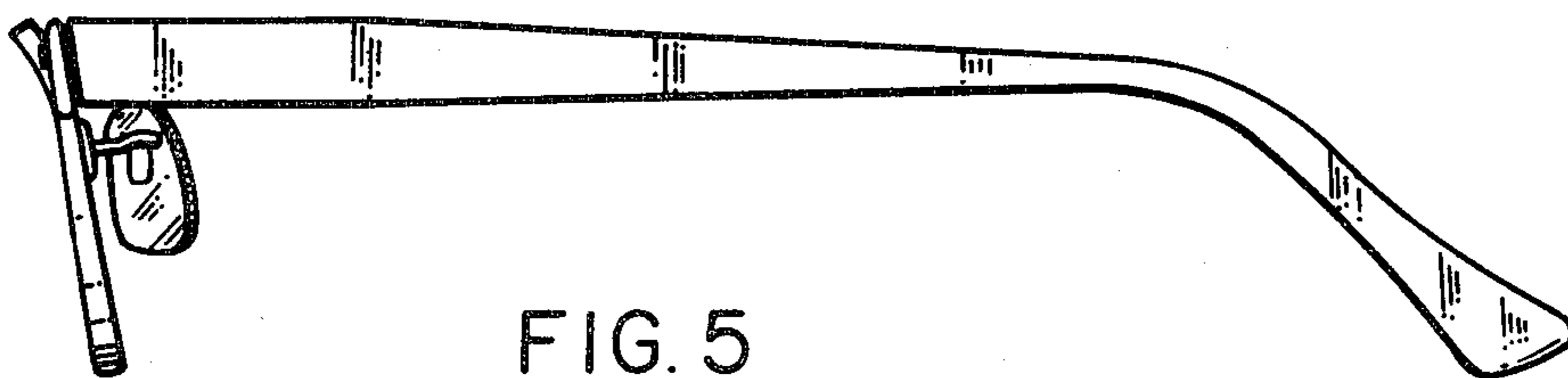


FIG. 5