

[54] **GRINDING DISC**

[75] **Inventor: Jan Siden, Skelleftea, Sweden**

[73] **Assignee: Finsliparna AB, Skelleftea, Sweden**

[**] **Term: 14 Years**

[21] **Appl. No.: 381,640**

[22] **Filed: May 24, 1982**

[30] **Foreign Application Priority Data**

Nov. 24, 1981 [SE] Sweden 81-2742

[52] **U.S. Cl. D15/126**

[58] **Field of Search D15/124-126;
51/206 R, 206 NF, 209 R, 165 R**

[56] **References Cited**

U.S. PATENT DOCUMENTS

D. 30,283	2/1899	Pendry	D15/126
886,212	4/1908	Hoffman	51/206 R
1,124,430	1/1915	Hart	51/206 R
3,364,630	1/1968	Rusk et al.	51/206 R
4,085,551	4/1978	Ward	51/165 R

Primary Examiner—B. J. Bullock

Attorney, Agent, or Firm—Fleit, Jacobson, Cohn & Price

[57] **CLAIM**

The ornamental design for a grinding disc, as shown.

DESCRIPTION

FIG. 1 is a perspective view of a grinding disc showing my new design;

FIG. 2 is a side elevational view thereof;

FIG. 3 is an end elevational view taken from the right of FIG. 2;

FIG. 4 is an end elevational view taken from the left of FIG. 2.

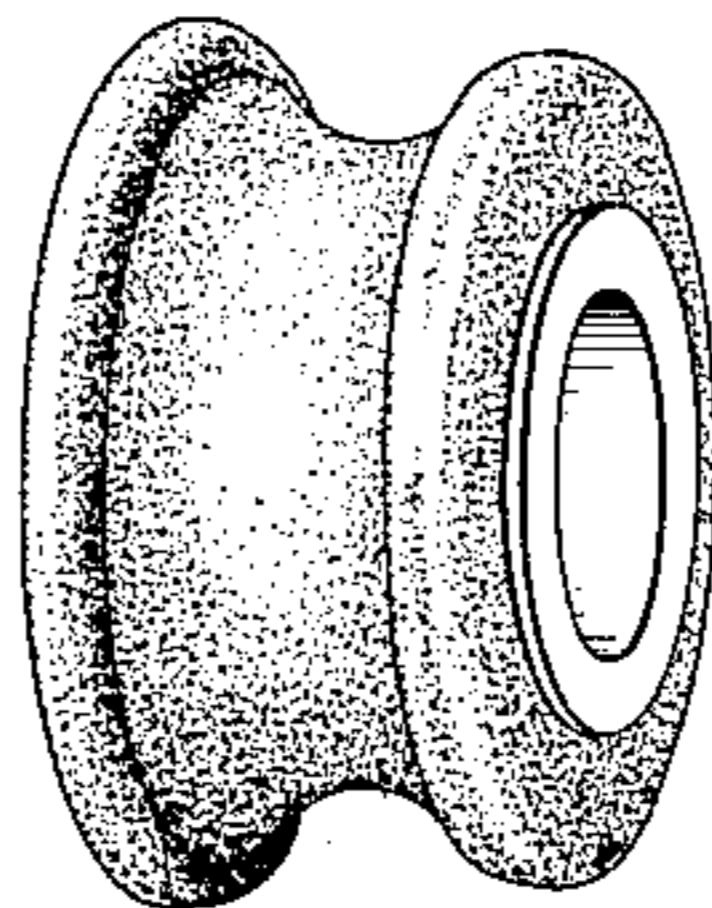


FIG. 1

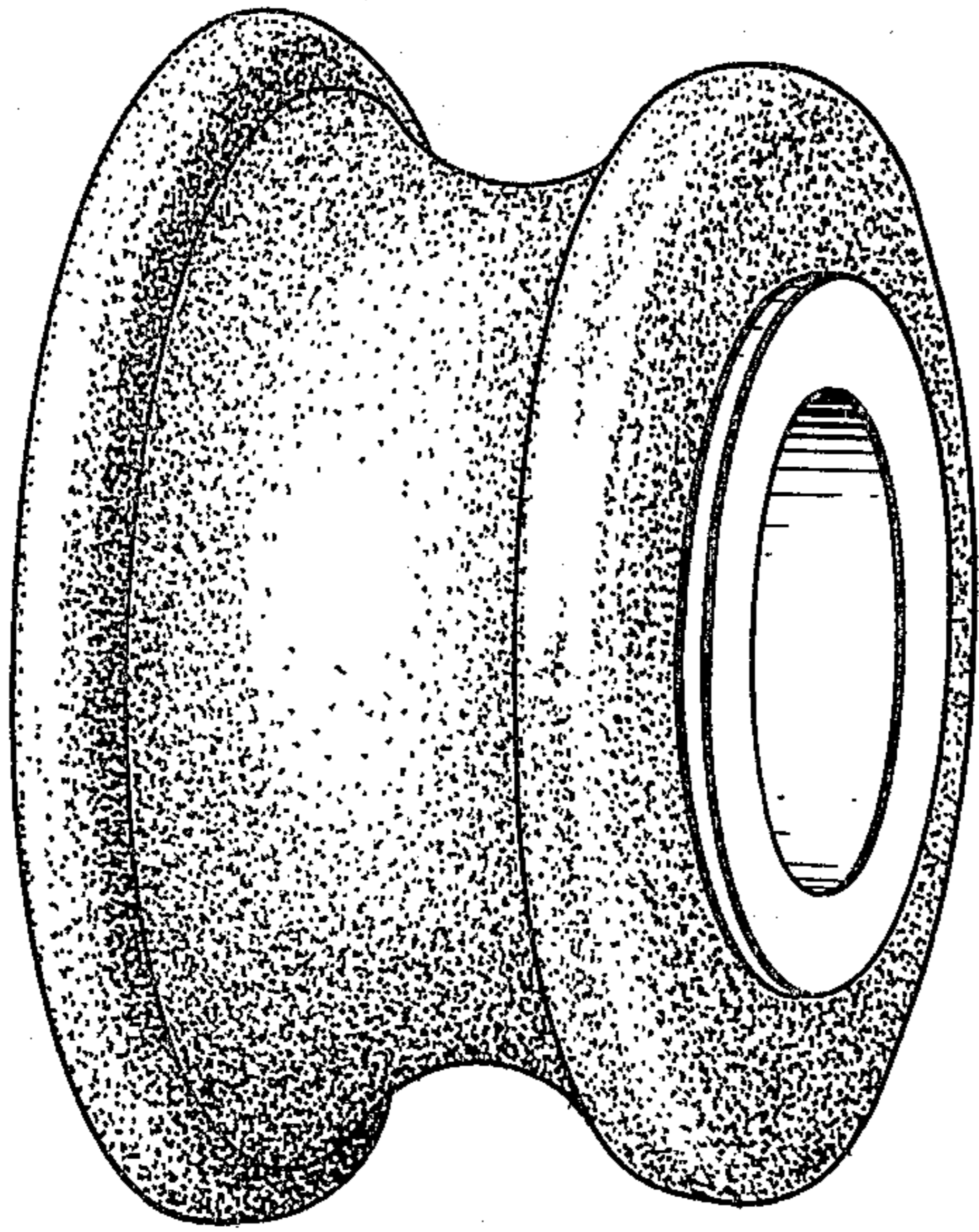


FIG. 2

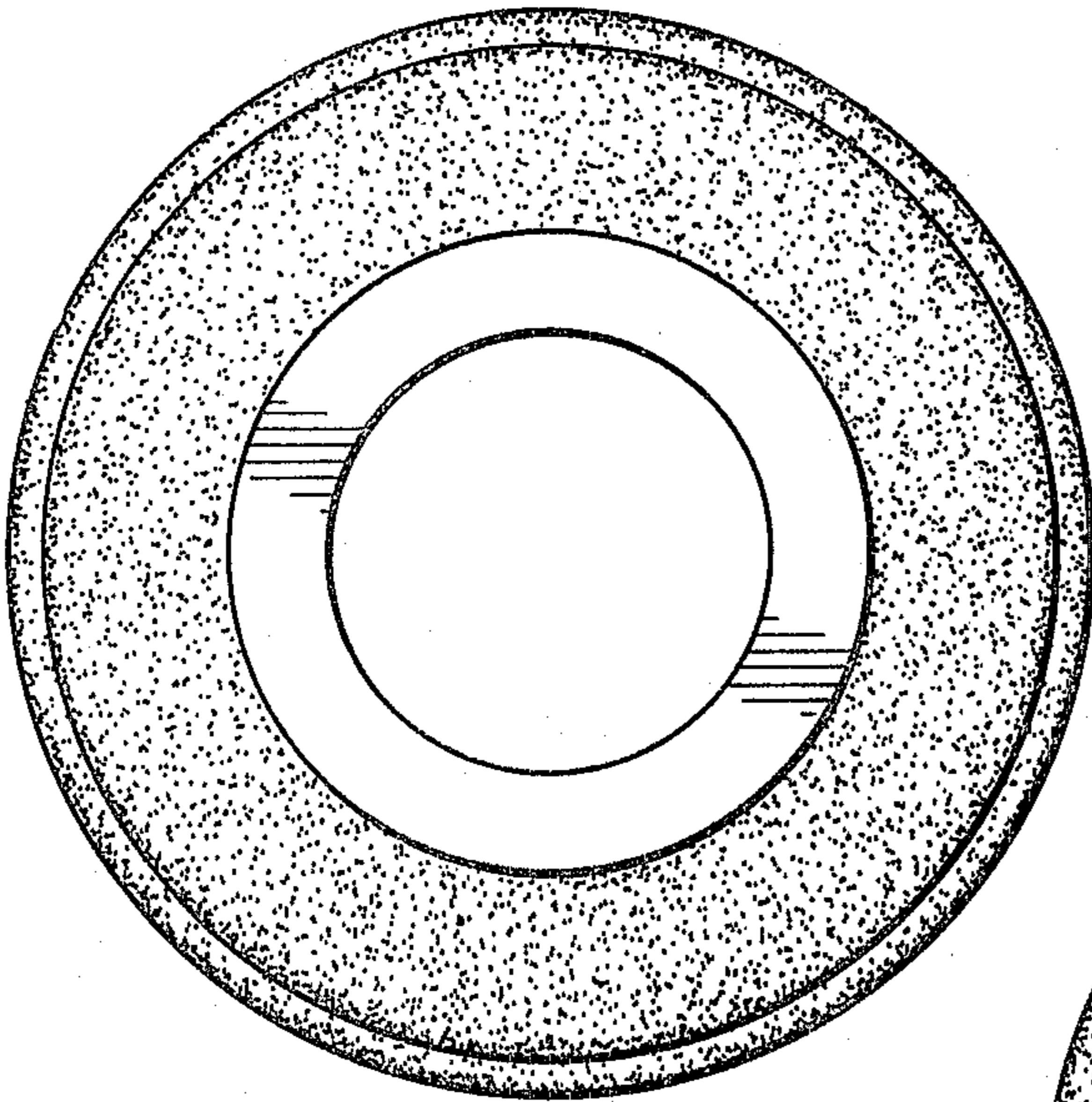
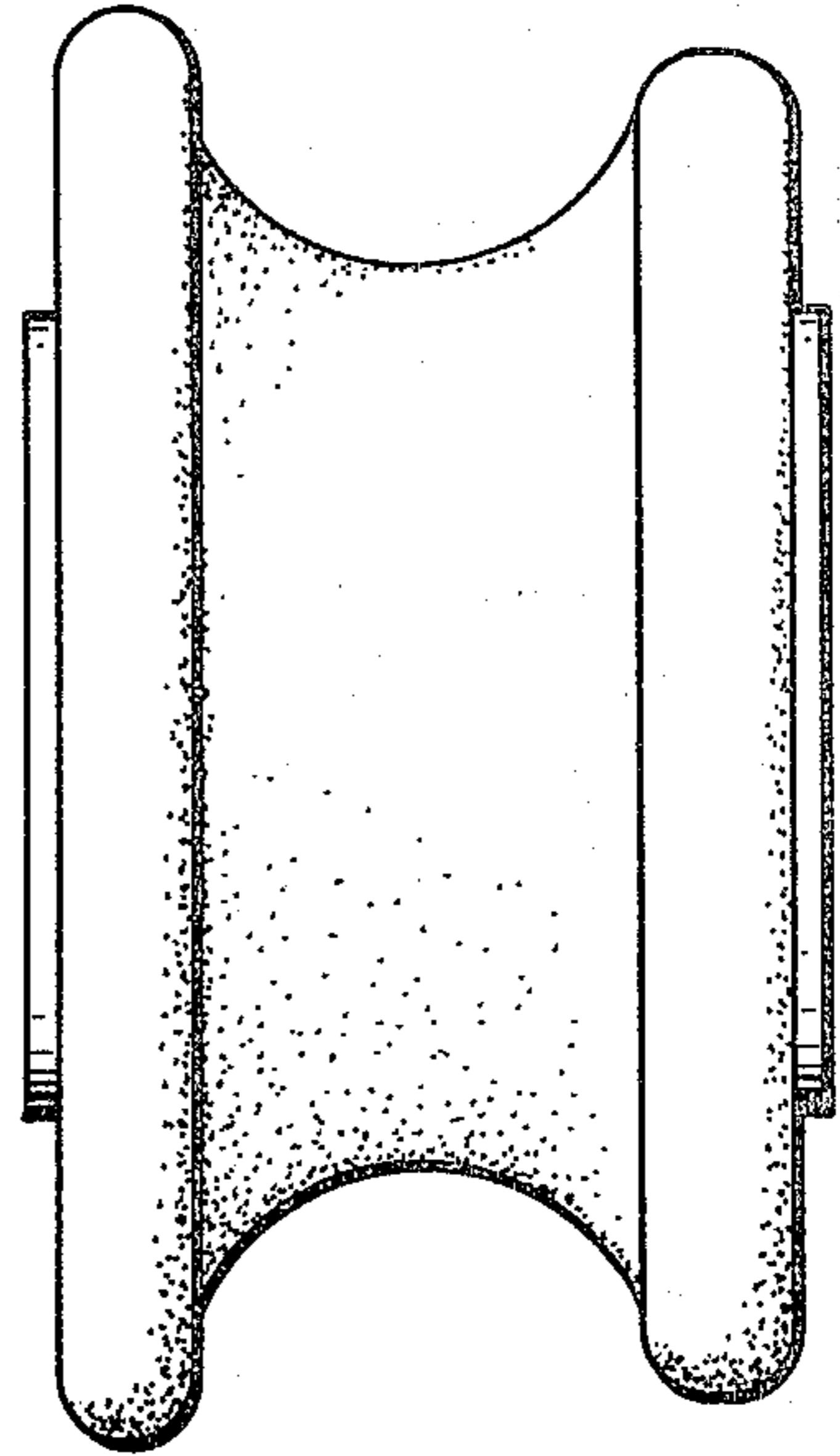


FIG. 3

FIG. 4

