

[54] MOUNTING PLATE BRACKET

4,194,713 3/1980 Johnson 248/231

[76] Inventors: George A. Emmie, 13472 Bryce Rd.,
Capac, Mich. 48014; Robert P.
Emmie, P.O. Box 342, Brown City,
Mich. 48416

Primary Examiner—Wallace R. Burke
Assistant Examiner—Horace B. Fay
Attorney, Agent, or Firm—Basile, Weintraub & Hanlon

[**] Term: 14 Years

[57] CLAIM

The ornamental design for a mounting plate bracket, as shown.

[21] Appl. No.: 360,379

[22] Filed: Mar. 22, 1982

DESCRIPTION

[52] U.S. Cl. D8/363; D8/396

[58] Field of Search D8/363, 349, 396;
248/313, 231, 499, 270; 24/20 R, 23 R, 23 W

FIG. 1 is a perspective view thereof, illustrating a mounting plate bracket showing our new design;

FIG. 2 is a top plan view thereof;

FIG. 3 is a bottom plan view thereof;

FIG. 4 is a front elevational view thereof;

FIG. 5 is a rear elevational view thereof;

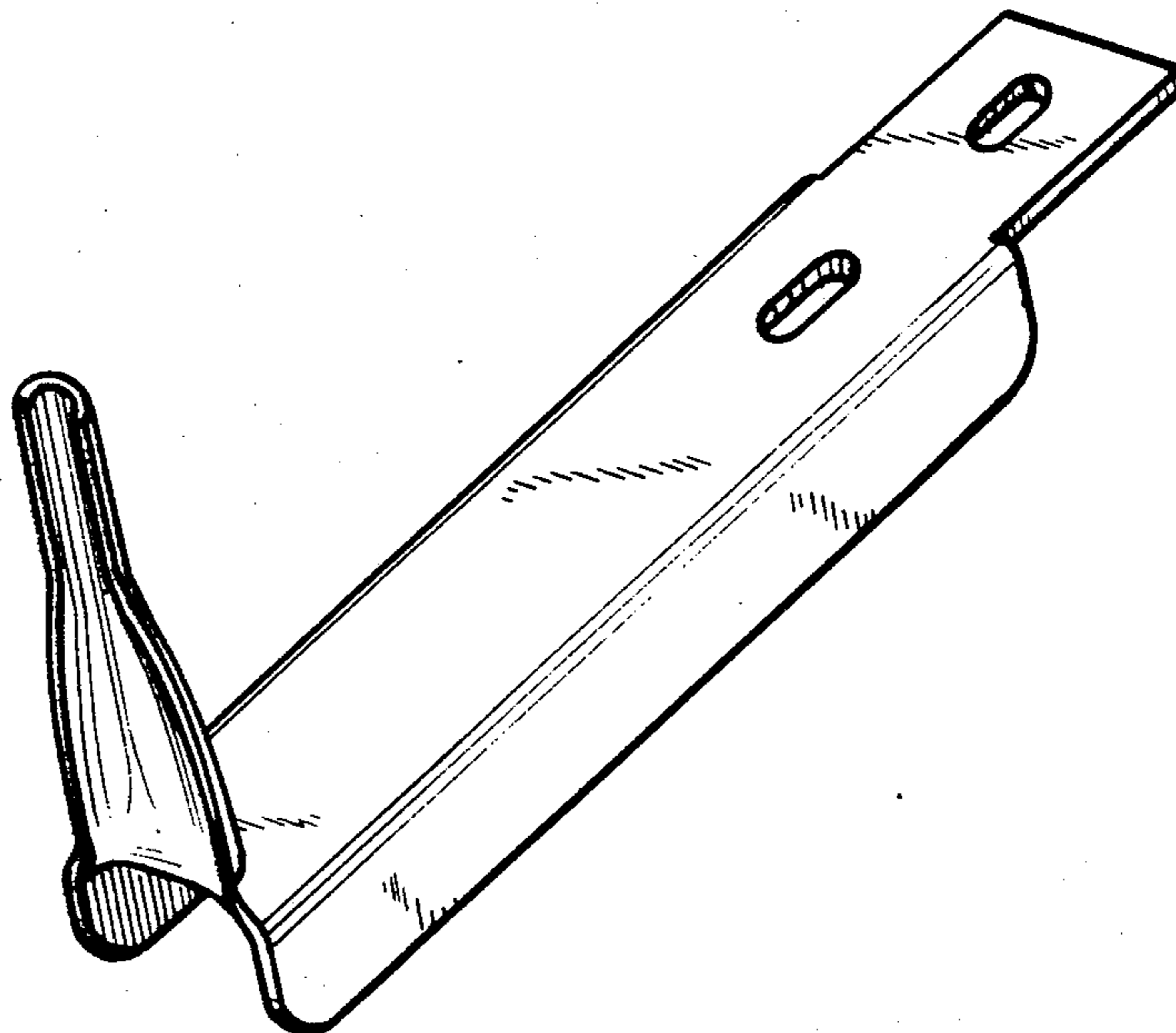
FIG. 6 is a left-end view thereof; and

FIG. 7 is a right-end view thereof.

[56] References Cited

U.S. PATENT DOCUMENTS

- 1,788,464 1/1931 Kederis et al. 248/313
- 2,915,799 12/1959 Andreasen 248/313



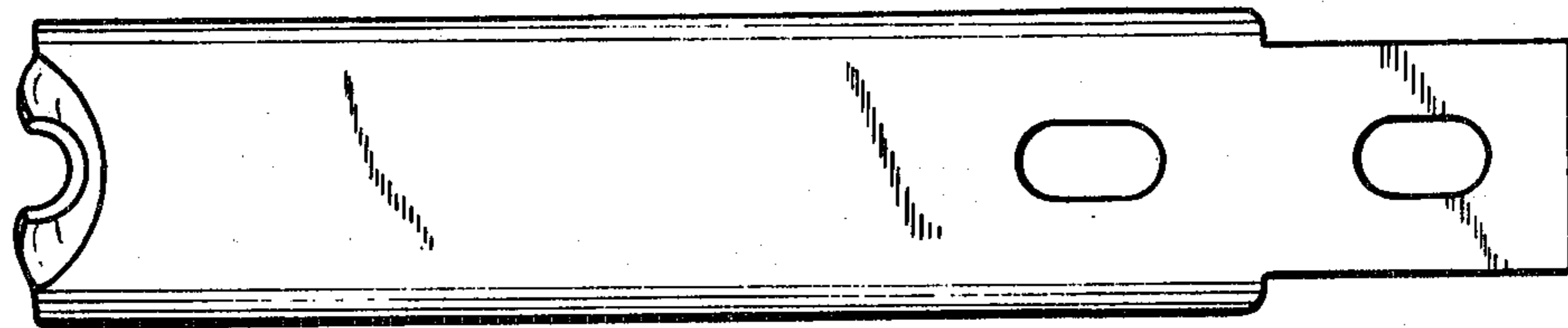


Fig-2



Fig-3

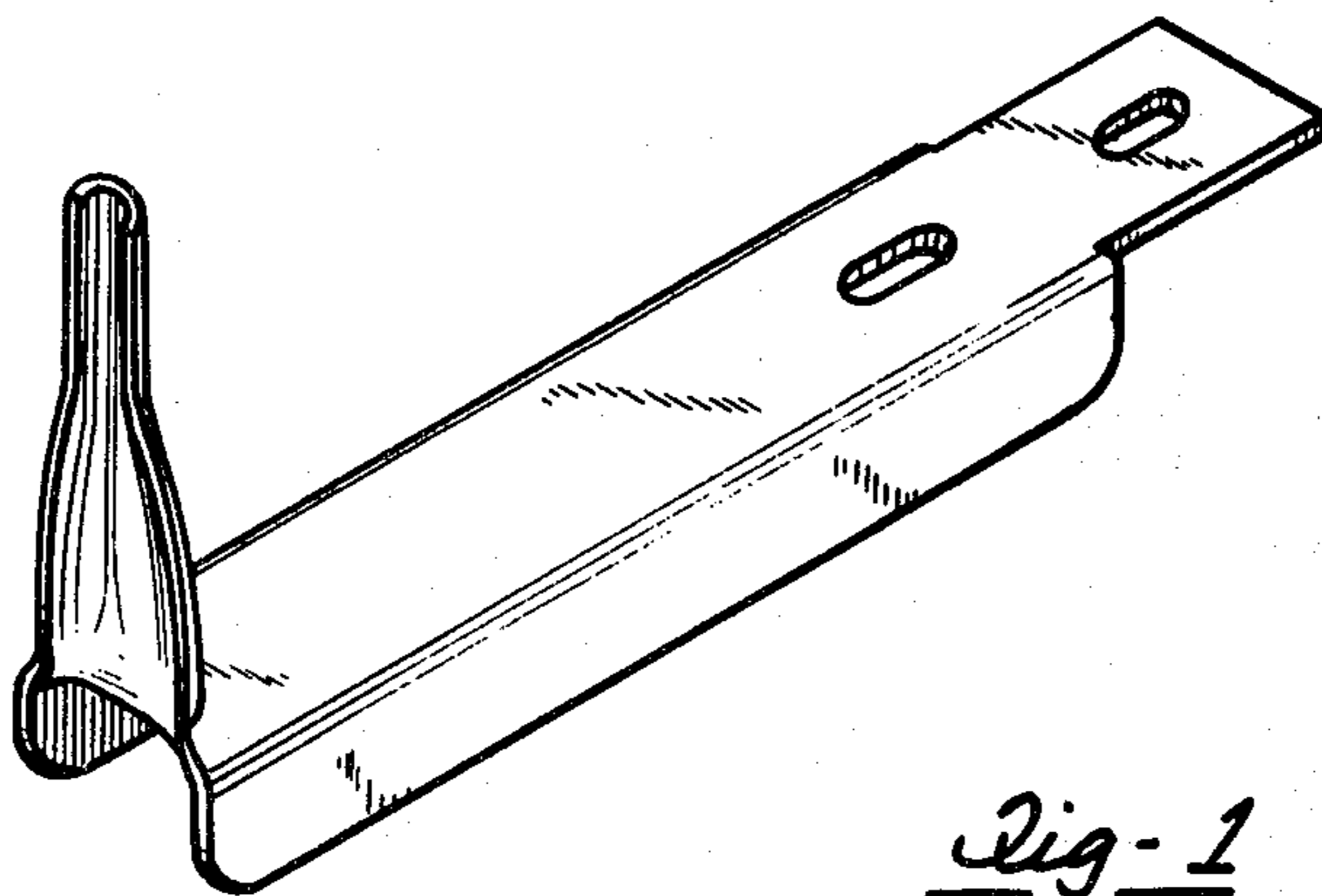


Fig-1

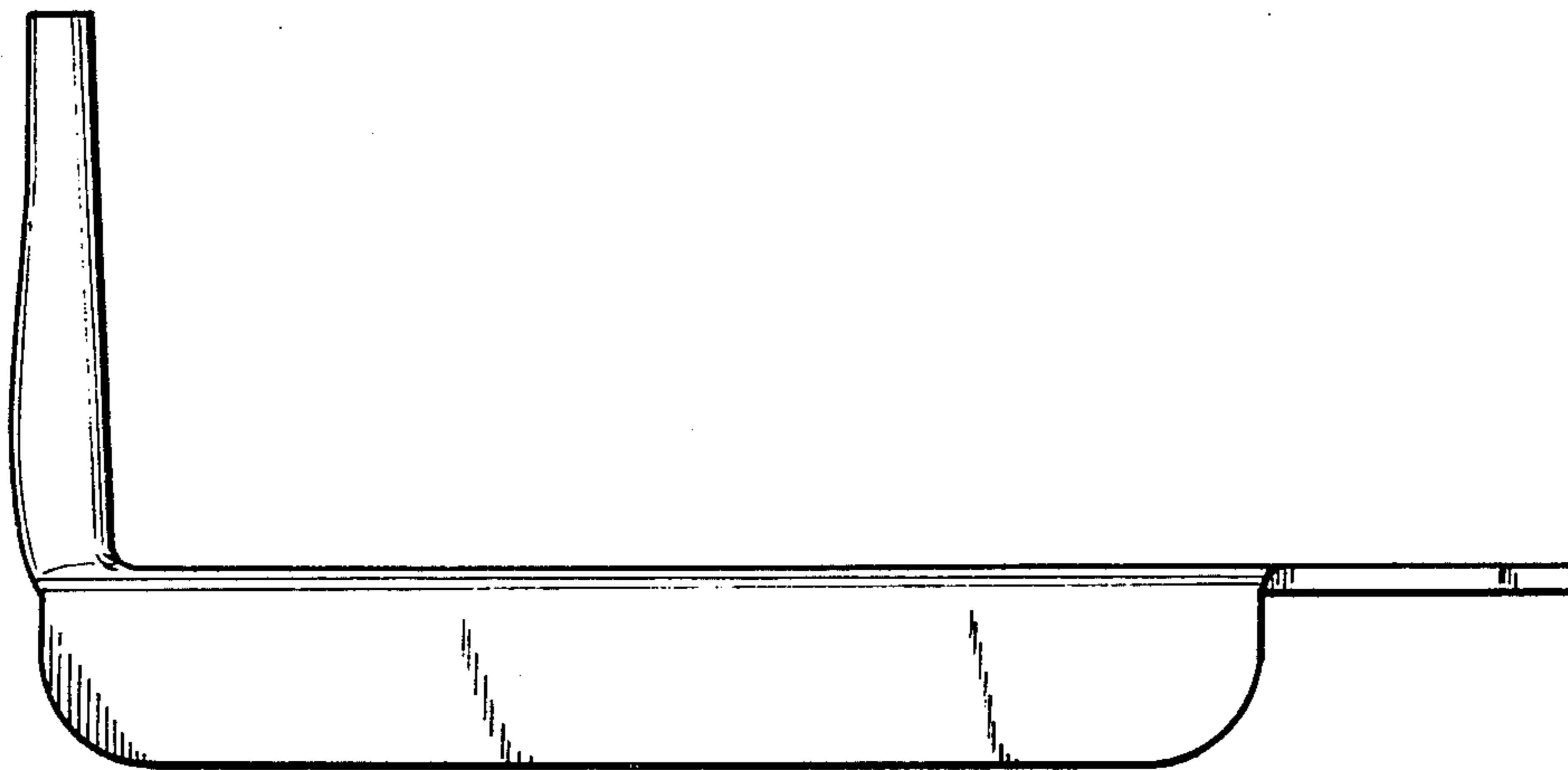


Fig-4



Fig-5

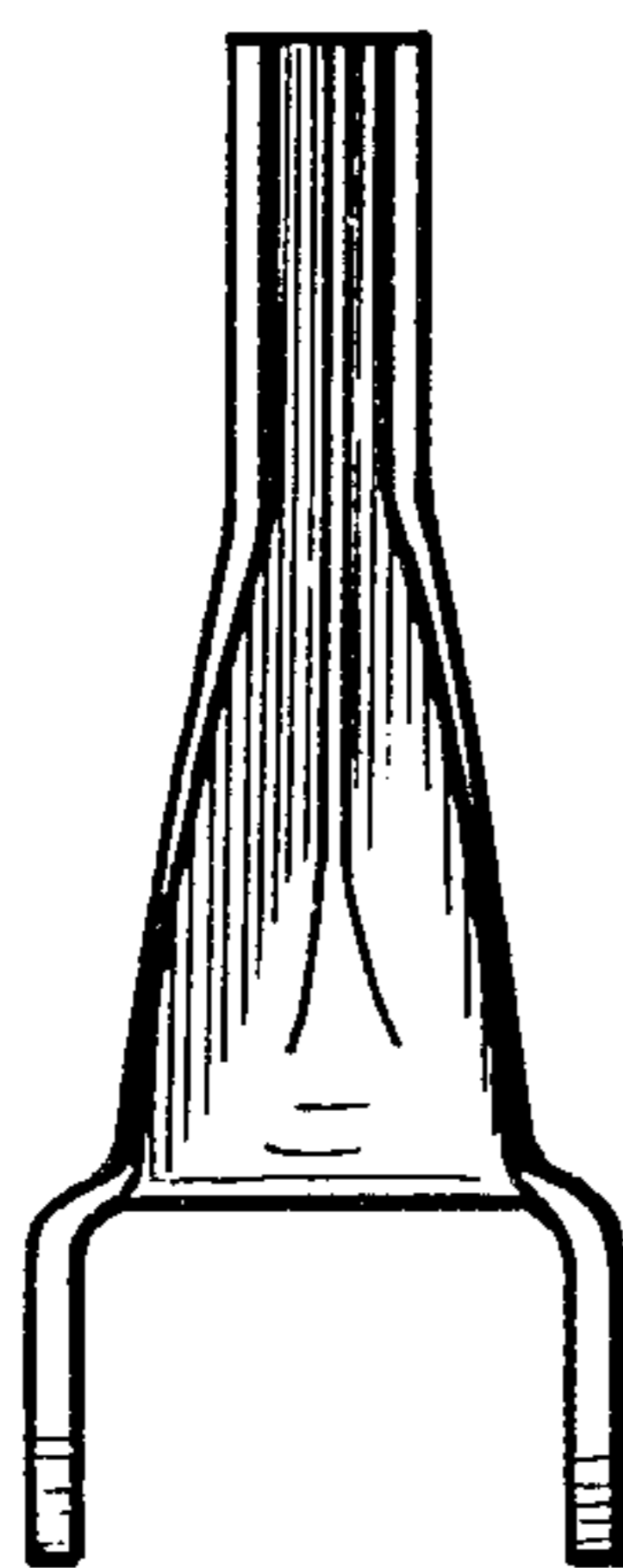


Fig-6

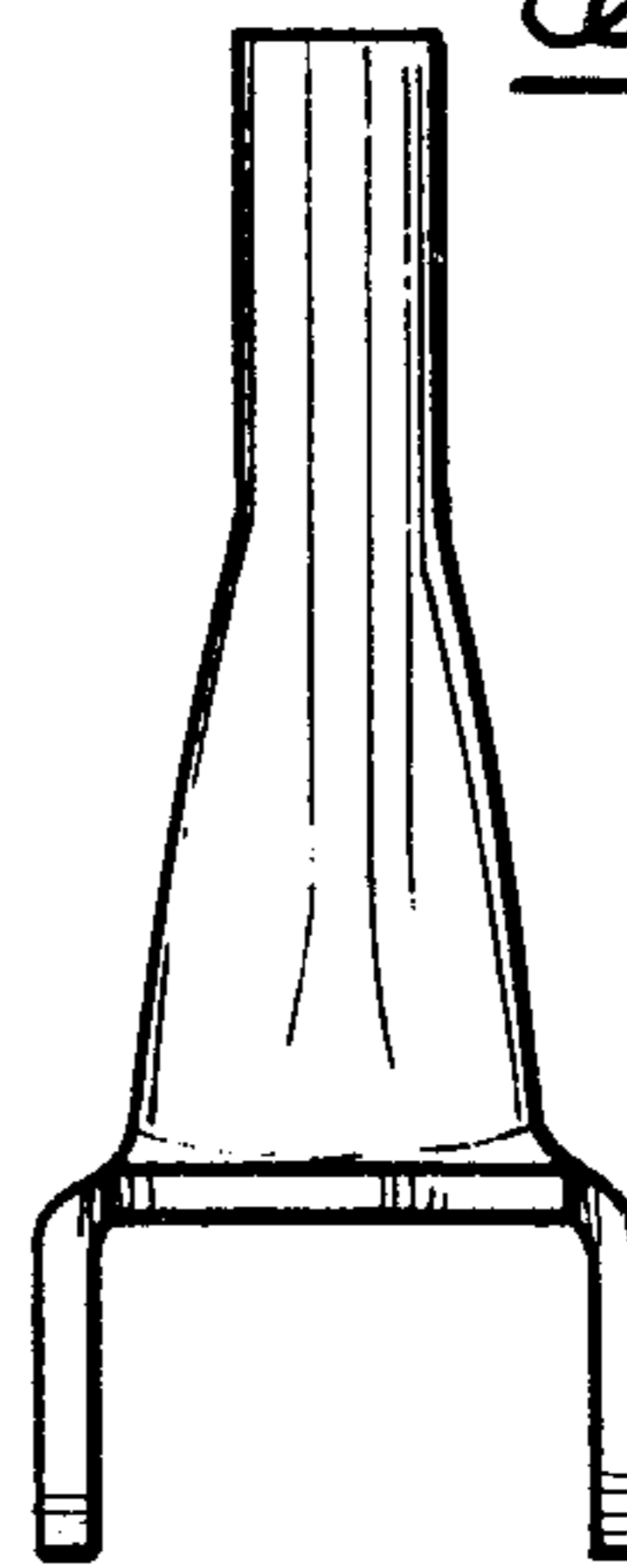


Fig-7