

[54] DOOR BAR

22632 of 1894 United Kingdom 292/259
18033 of 1905 United Kingdom 292/259

[76] Inventors: Vivien J. Johnson; Rick Q. Johnson,
both of P.O. Box 132, Elverta, Calif.
95626

Primary Examiner—Wallace R. Burke
Assistant Examiner—Horace B. Fay
Attorney, Agent, or Firm—Lothrop & West

[**] Term: 14 Years

[57] CLAIM

[21] Appl. No.: 449,360

The ornamental design for a door bar, as shown and described.

[22] Filed: Dec. 13, 1982

[52] U.S. Cl. D8/331

[58] Field of Search D8/330, 331, 380;
292/259, 259 R

DESCRIPTION

[56] References Cited

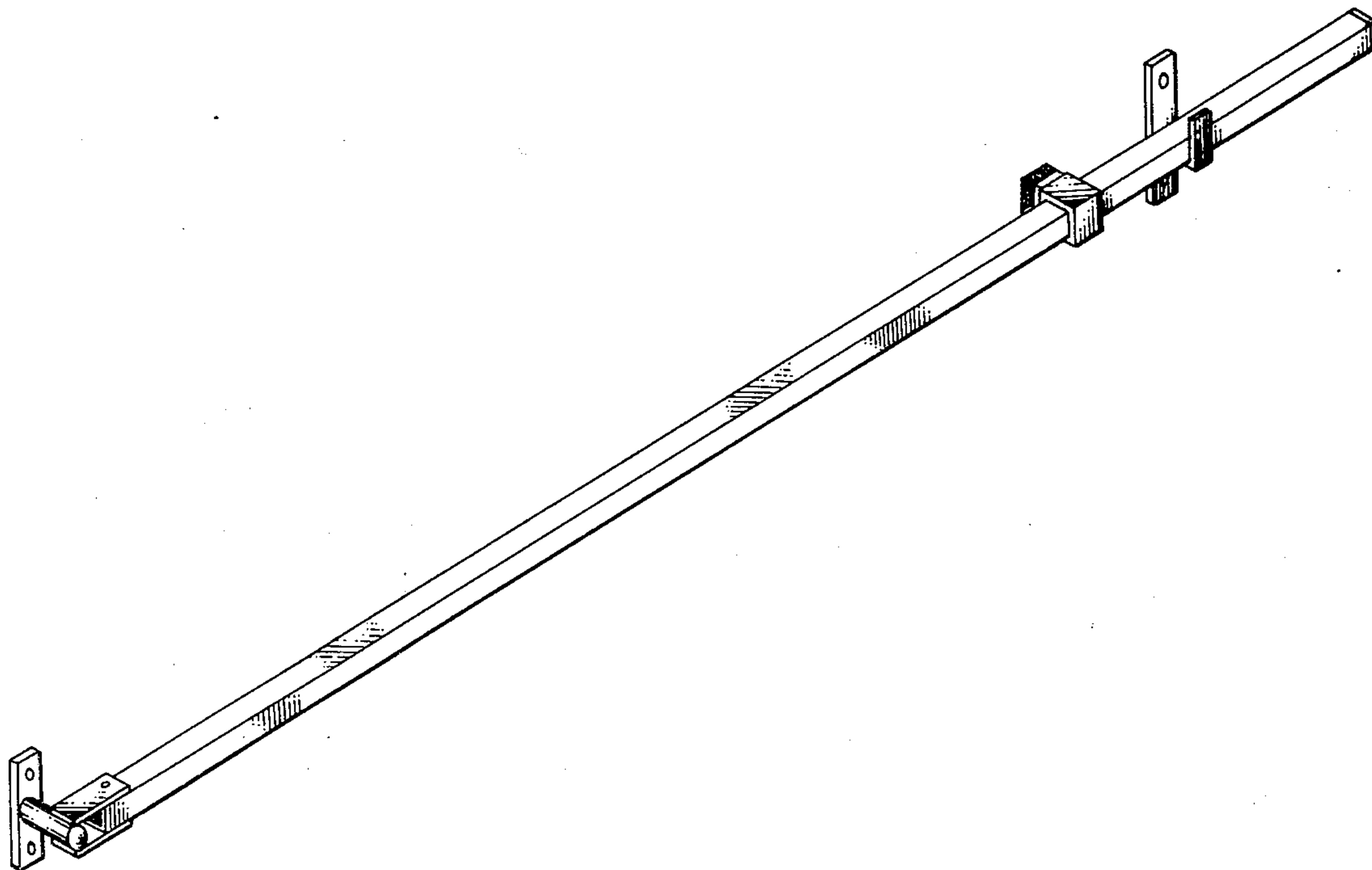
U.S. PATENT DOCUMENTS

D. 224,084	7/1972	Gaffney	D8/380
546,164	9/1895	Knight	292/259
698,326	4/1902	Schwab	292/259
1,414,162	4/1922	Wilt	292/259
3,752,518	8/1973	Connell	292/259
4,082,332	4/1978	Palmer	292/259

FIG. 1 is a left front perspective view of a door bar, showing our new design;
FIG. 2 is a front elevational view;
FIG. 3 is a side elevational view taken from the left hand side of the article as shown in FIG. 2;
FIG. 4 is a rear elevational view;
FIG. 5 is a side elevational view taken from the right hand side of the article as shown in FIG. 2;
FIG. 6 is a top plan view;
FIG. 7 is a bottom plan view; and
FIG. 8 is a front elevational view, showing the article in an alternative, unlocked position as used in conjunction with a door and an associated wall, the door and the wall being shown in broken line solely for illustrative purposes and forming no part of the design.

FOREIGN PATENT DOCUMENTS

441335	France	292/259
262120	7/1932	Italy	292/259



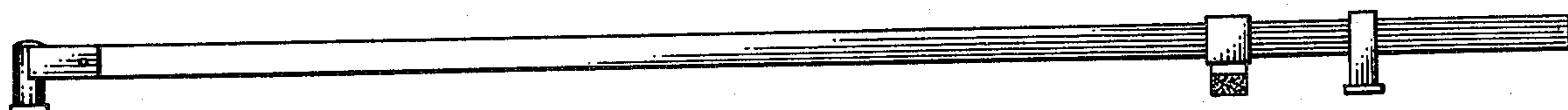
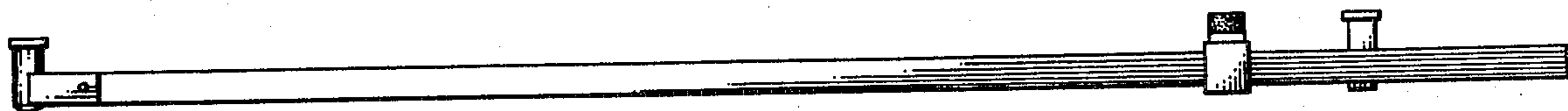
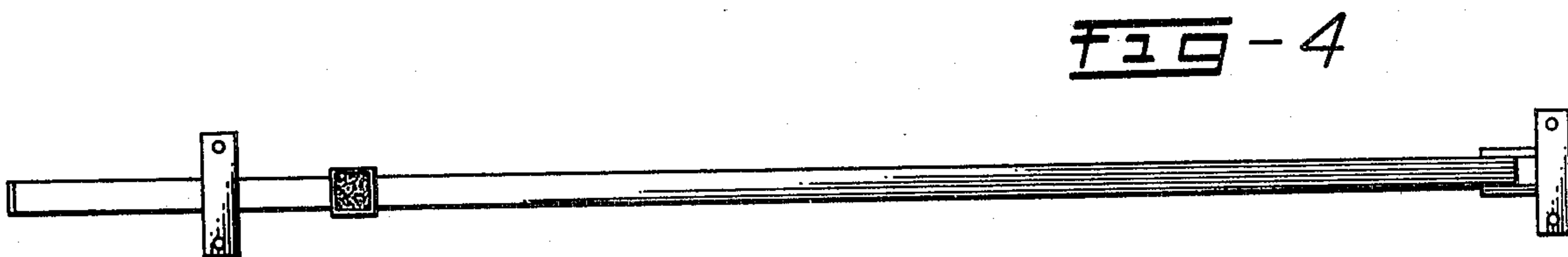
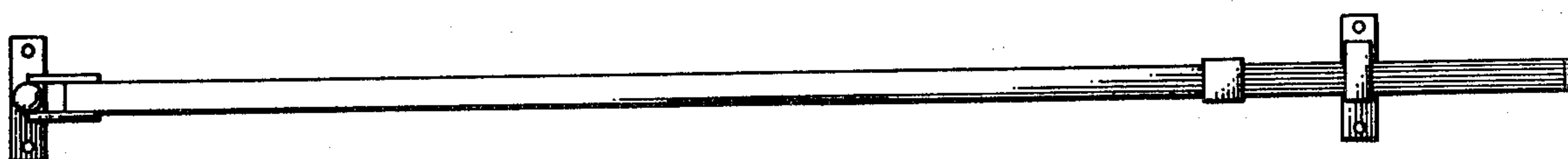
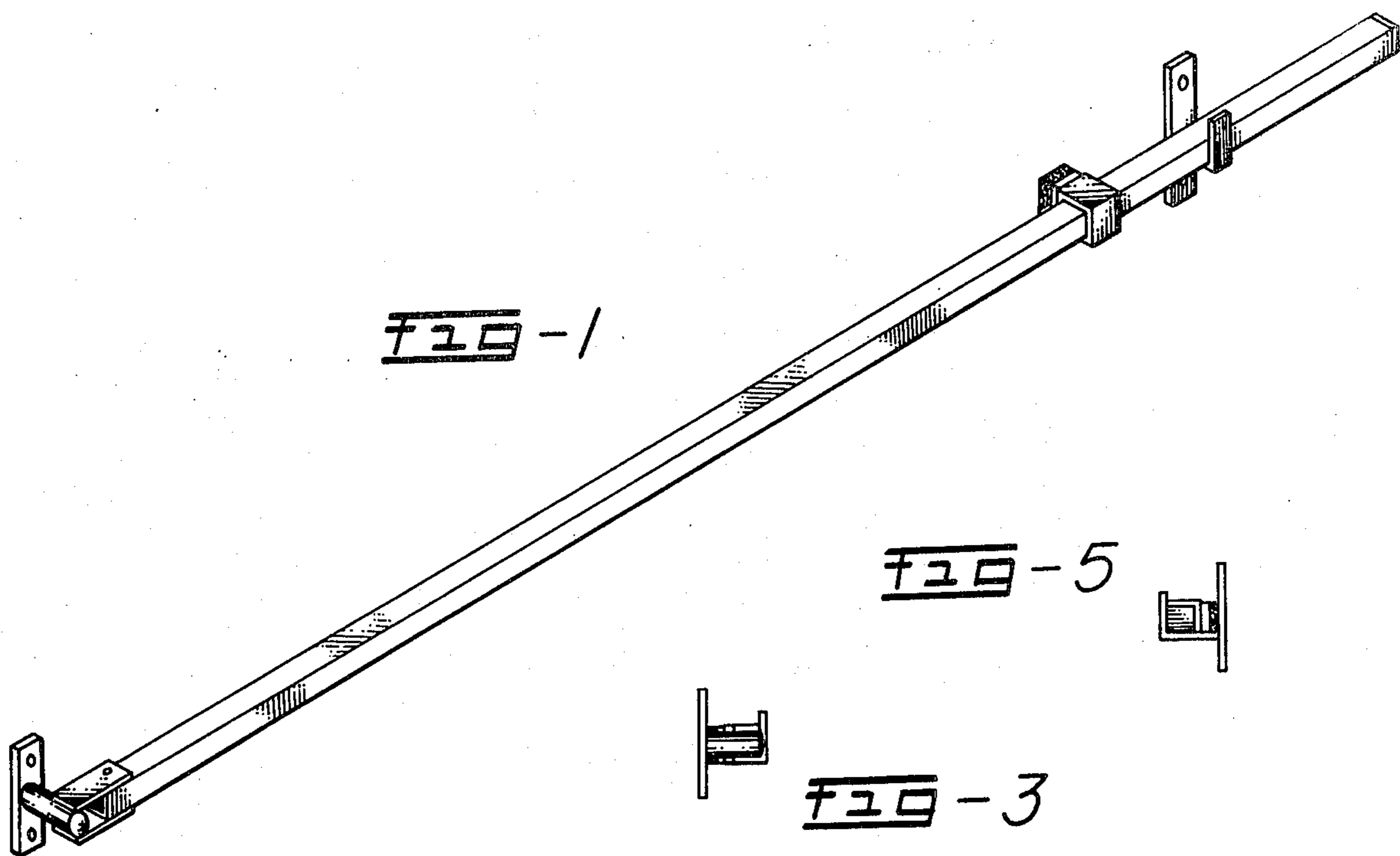


FIG-7

