

[54] **STAND FOR PLANTS OR FLOWERS**

4,099,472 7/1978 Kellogg ..... D6/186

[76] **Inventor: Walter T. Kola, 1418 Highland Ave., Joliet, Ill. 60435**

**FOREIGN PATENT DOCUMENTS**

1300853 7/1962 France ..... 108/92

[\*\*] **Term: 14 Years**

*Primary Examiner*—B. J. Bullock  
*Attorney, Agent, or Firm*—Alexander & Zalewa, Ltd.

[21] **Appl. No.: 446,490**

[22] **Filed: Dec. 2, 1982**

[52] **U.S. Cl. .... D6/405; D6/474**

[58] **Field of Search ..... D6/179, 182, 183, 186; 47/39; 108/92, 93, 102, 143; 211/74; 108/27, 59**

[57] **CLAIM**

The ornamental design for a stand for plants or flowers, substantially as shown.

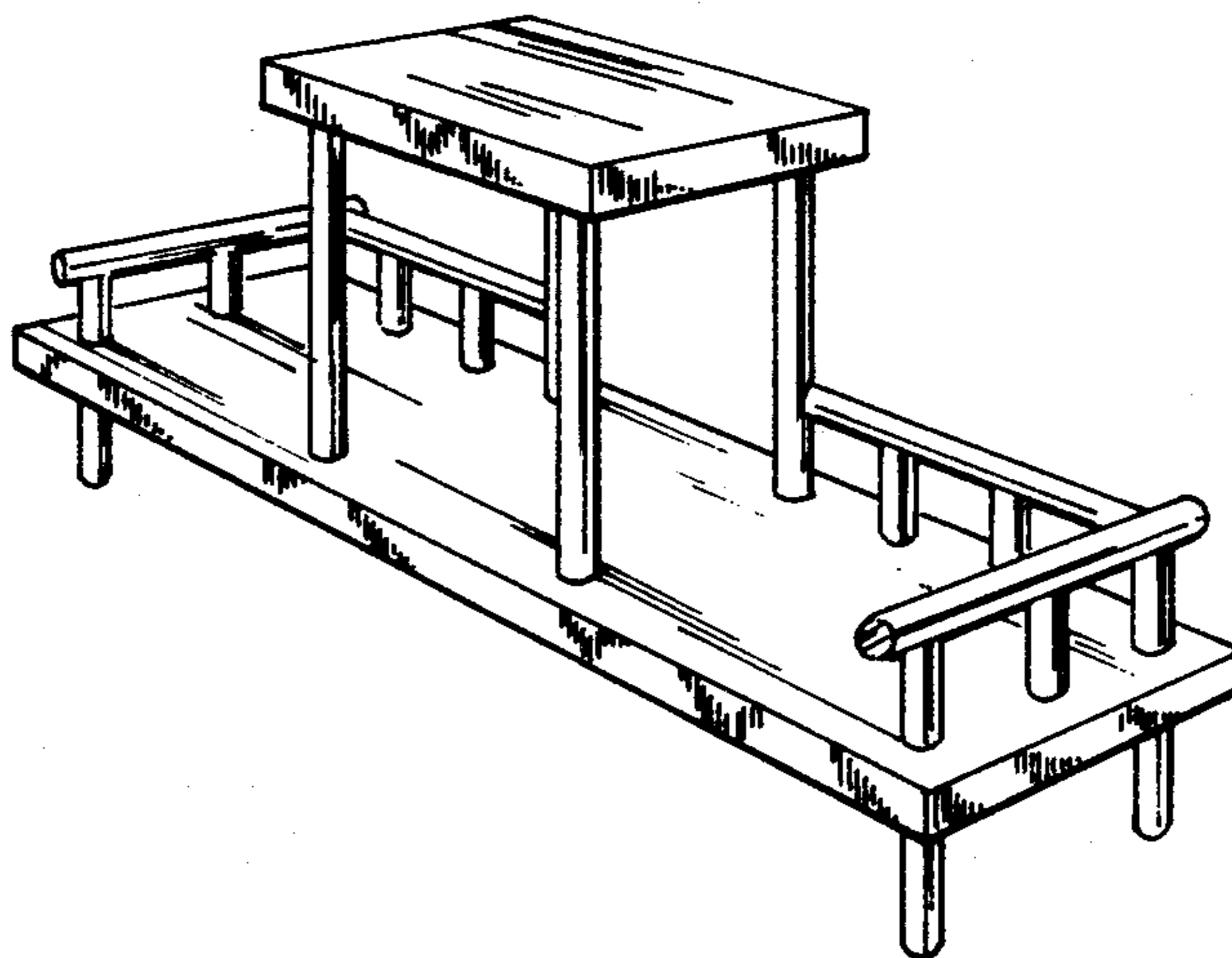
**DESCRIPTION**

FIG. 1 is a perspective view of a stand for plants or flowers embodying my new design;  
FIG. 2 is a front elevational view thereof;  
FIG. 3 is a bottom plan view thereof;  
FIG. 4 is a top plan view thereof;  
FIG. 5 is a side elevational view thereof.

[56] **References Cited**

**U.S. PATENT DOCUMENTS**

D. 045,694	4/1914	Rosenberger	.....	D6/186
D. 213,503	3/1969	Stopyra	.....	D6/186
D. 247,536	3/1978	Kola	.....	D6/183
D. 247,537	3/1978	Kola	.....	D6/183



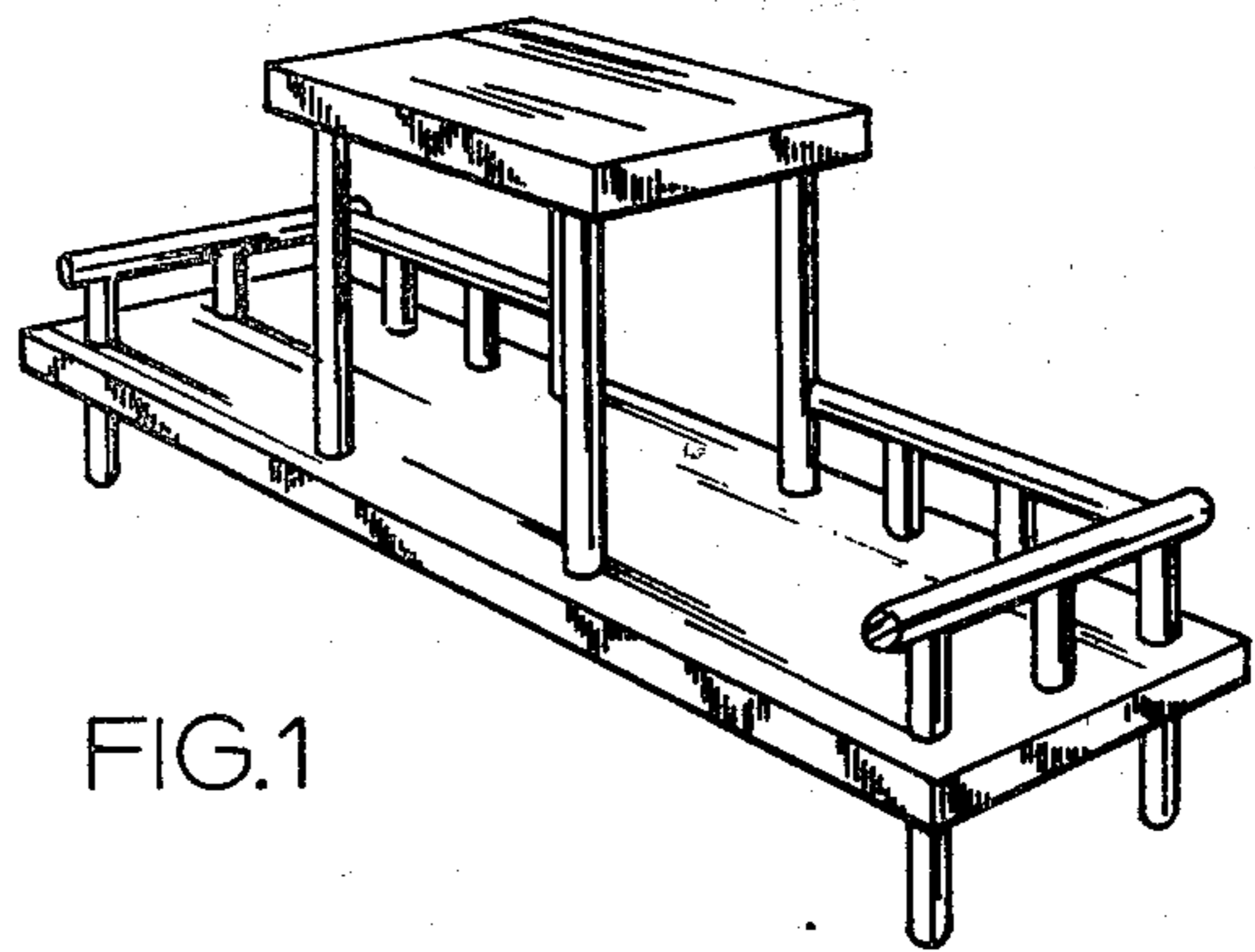


FIG. 1

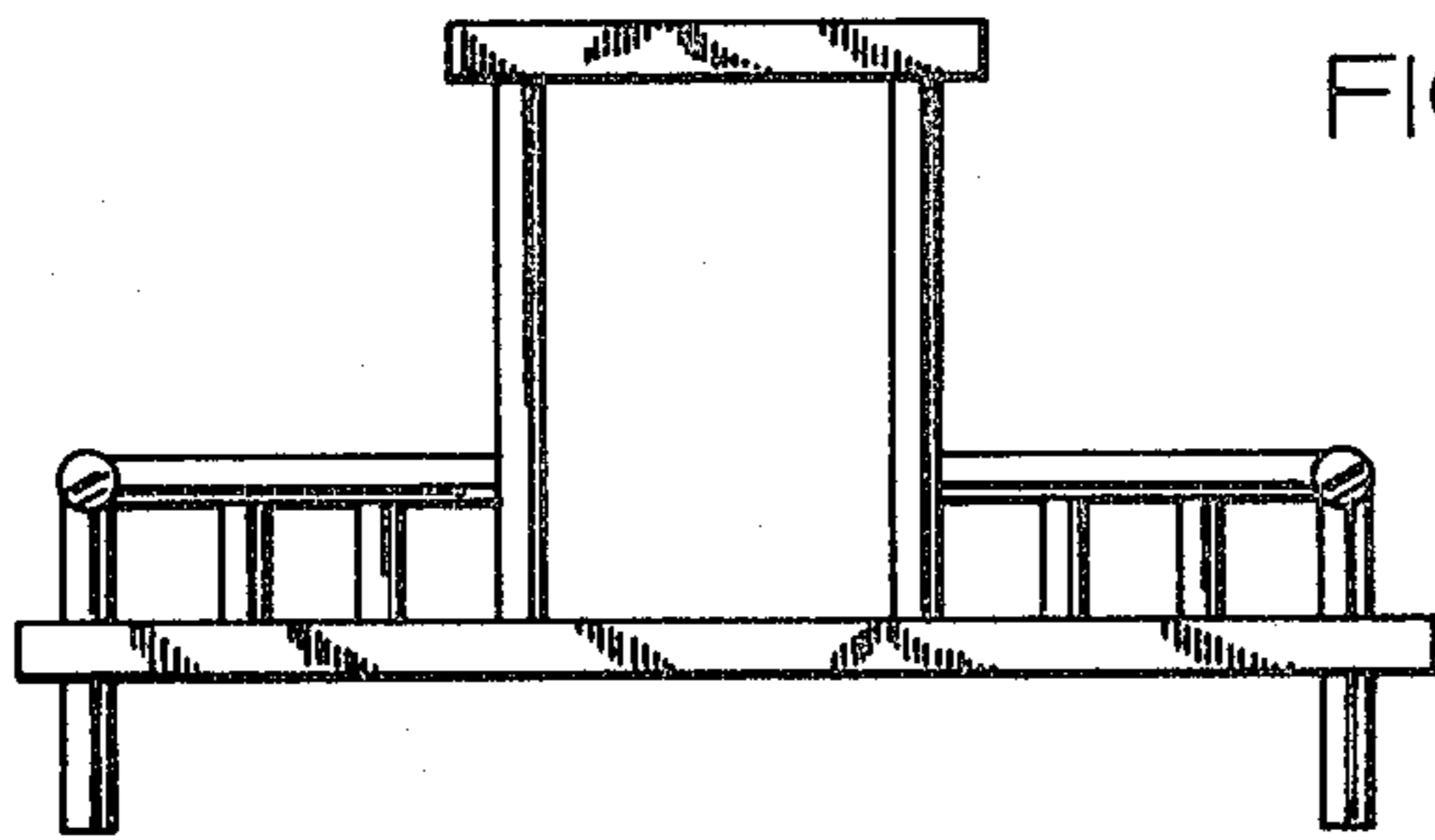


FIG. 2

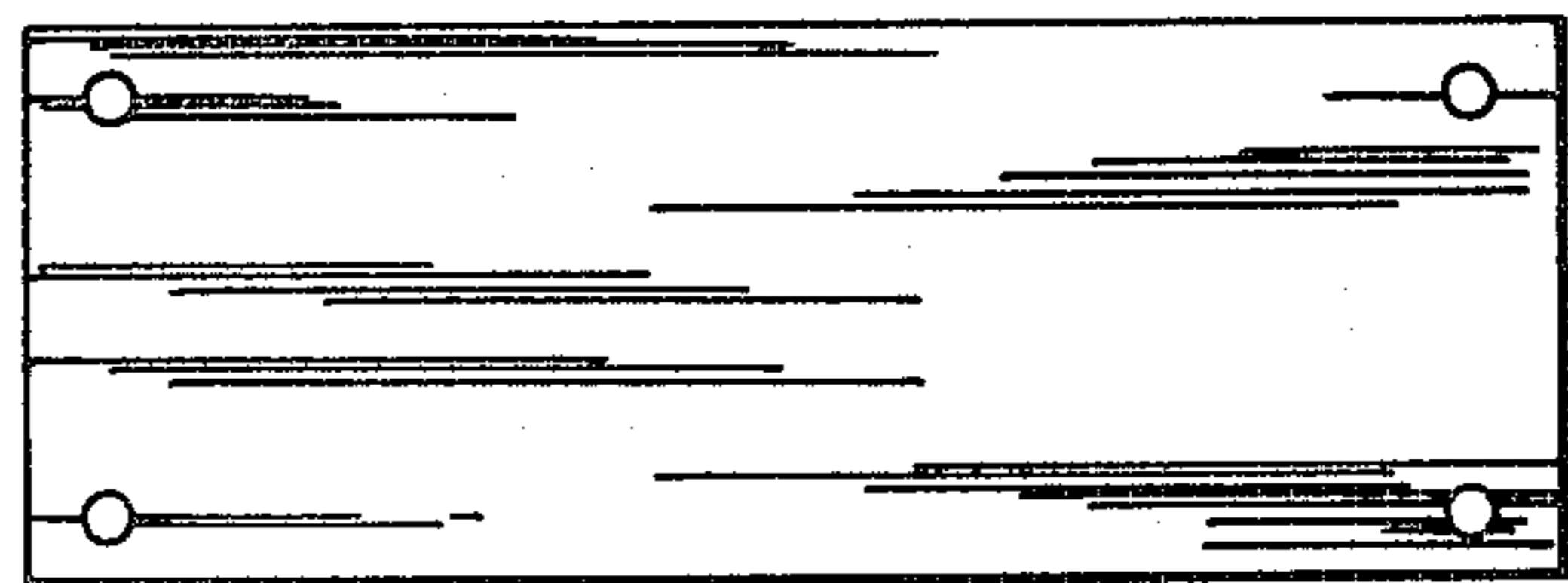


FIG. 3

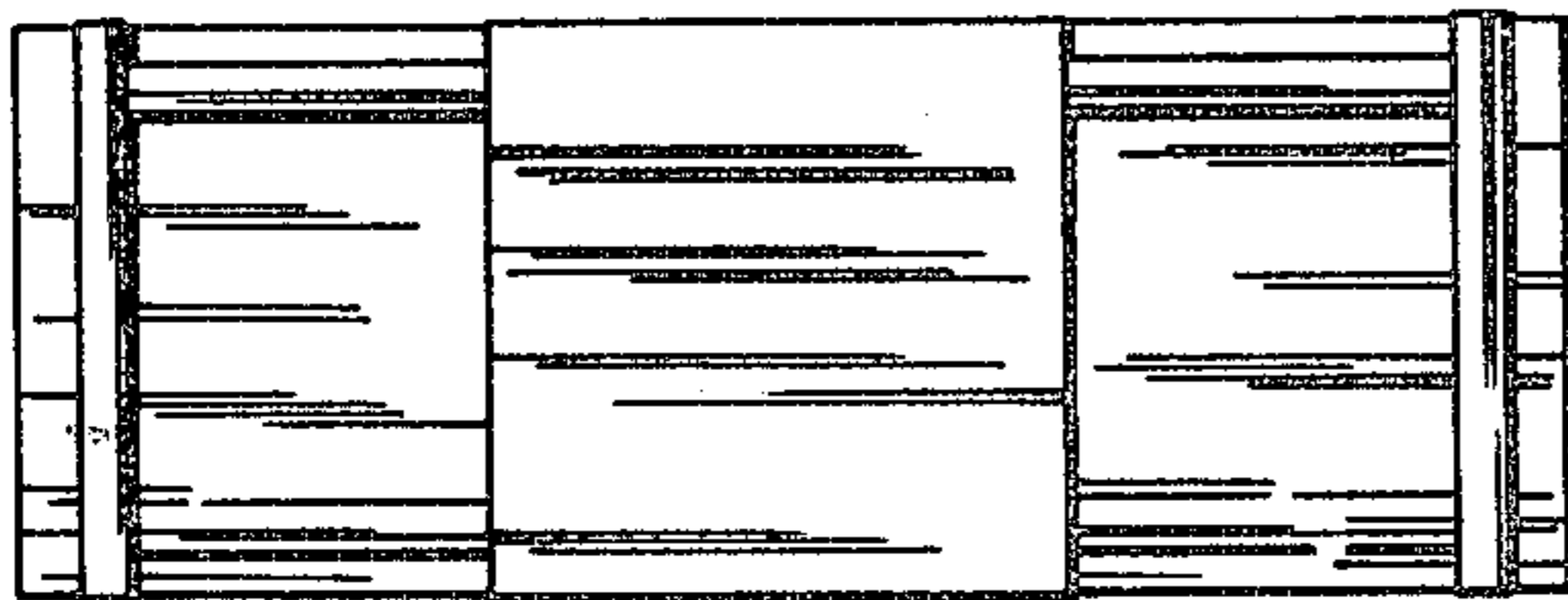


FIG. 4

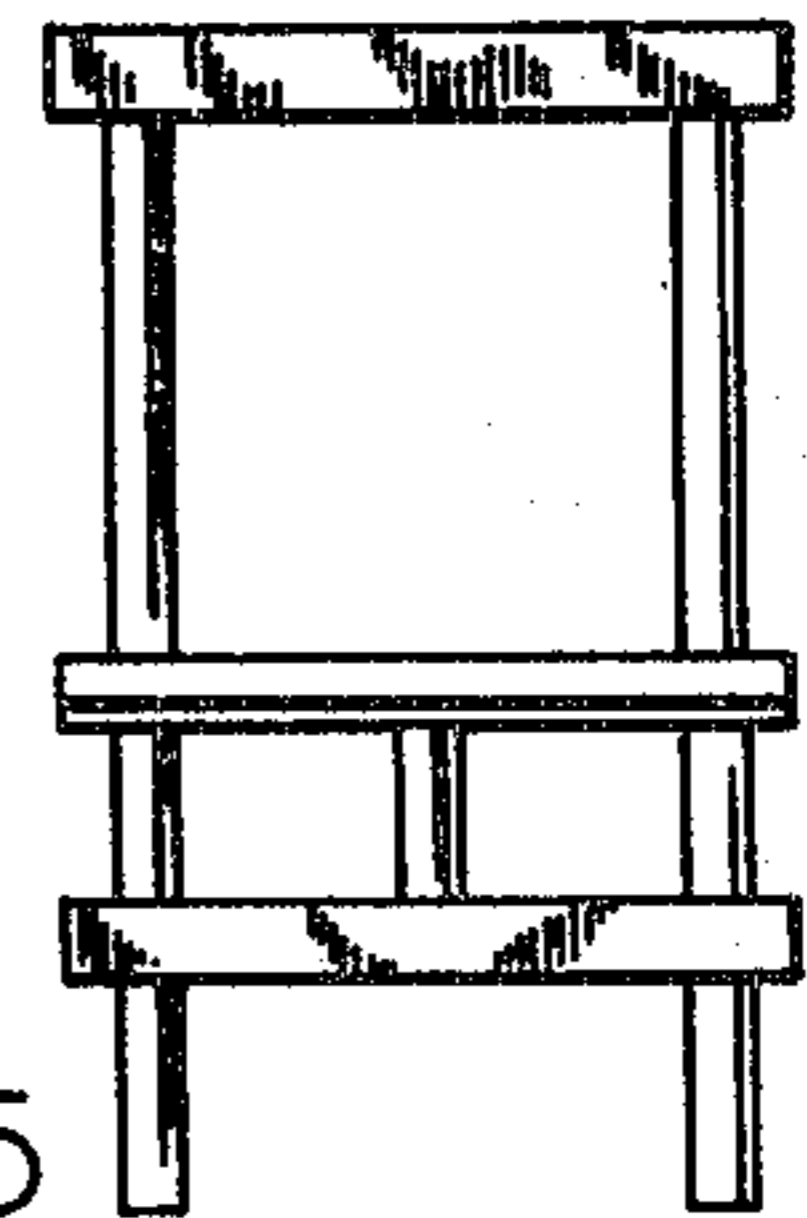


FIG. 5