

[54] SET OF CUE RACKS OR SIMILAR ARTICLE

[76] Inventor: Lance K. Halverson, 7301 27th Ave. NW., Seattle, Wash. 98117

[\*\*] Term: 14 Years

[21] Appl. No.: 395,580

[22] Filed: Jul. 6, 1982

Related U.S. Application Data

[60] Division of Ser. No. 119,604, Feb. 7, 1980, which is a continuation-in-part of Ser. No. 065,905, Aug. 13, 1979, abandoned.

[52] U.S. Cl. .... D6/552

[58] Field of Search ..... D6/114, 125, 157; 211/13, 14, 60 R, 60 A, 60 T, 87, 88; 248/220.3, 220.4, 221.1, 221.2

[56] References Cited

U.S. PATENT DOCUMENTS

D. 120,343	5/1940	Hopkins	.....	D6/125
D. 198,691	7/1964	Schaefer	.....	D6/125
D. 209,682	12/1967	Williams	.....	D6/125
D. 242,097	11/1976	O'Neal	.....	D6/125
D. 252,429	7/1979	Morin	.....	D6/125
2,371,433	3/1945	Davis	.....	211/60 T
2,815,863	12/1957	Larson	.....	211/60 A
2,974,804	3/1961	Maro	.....	211/60 T
3,491,893	1/1970	Morris	.....	211/60 R
3,650,407	3/1972	Benham	.....	211/87
3,698,563	10/1972	Gordon et al.	.....	211/13
3,871,526	3/1975	Marsack	.....	211/89
4,049,126	9/1977	Halverson	.....	D6/125

OTHER PUBLICATIONS

Rolf Sporting Goods, Inc., Prior 40 2/7/79, LD10 bar rack.

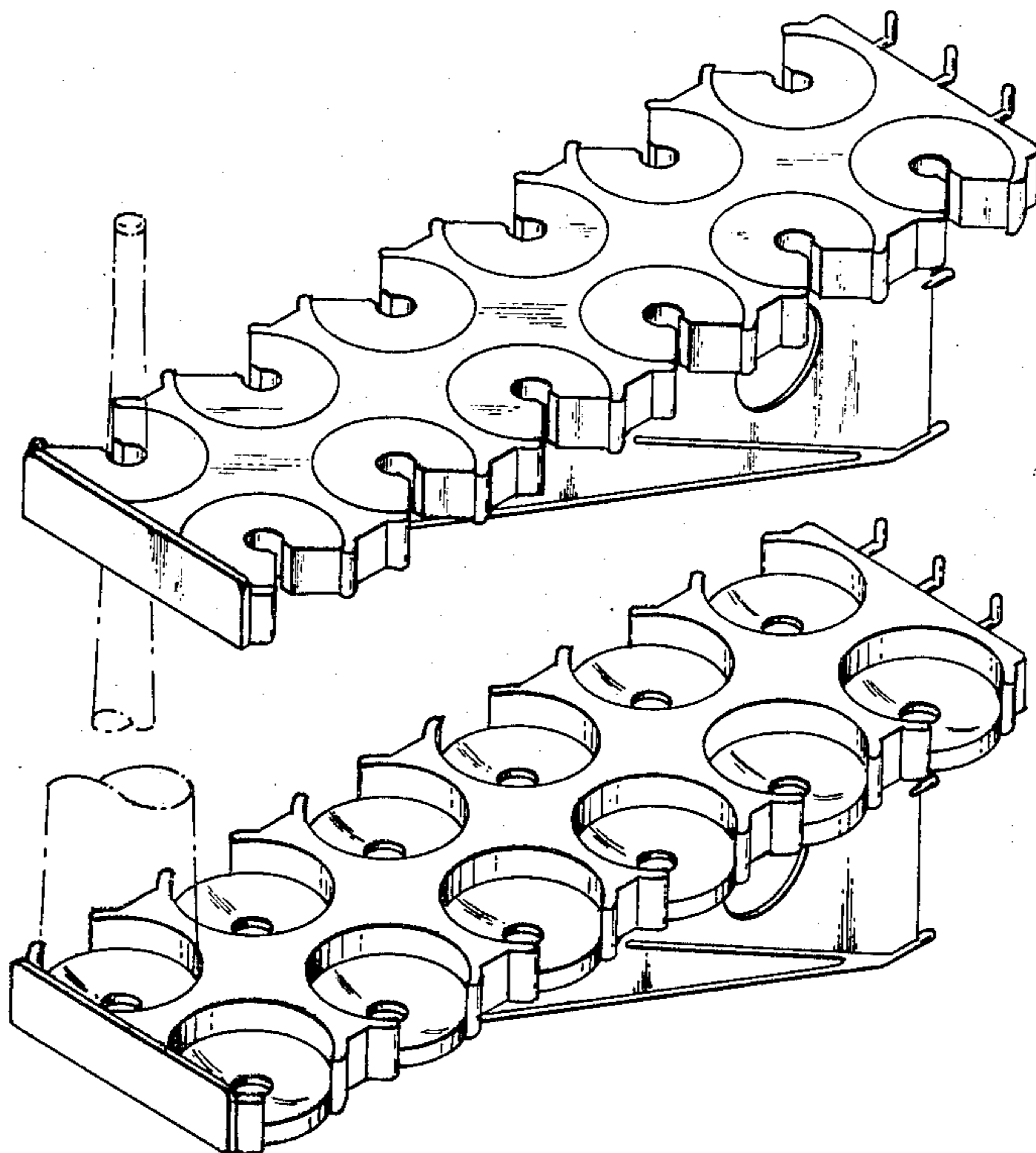
Primary Examiner—B. J. Bullock  
Attorney, Agent, or Firm—Gregory W. Moravan; Don R. Mollick

[57] CLAIM

The ornamental design for a set of cue racks or similar article, as shown and described.

DESCRIPTION

FIG. 1 is a perspective view of a set of cue racks or similar article showing my new design;  
 FIG. 2 is a side elevational view of the upper rack of FIG. 1 shown separately for ease of illustration, the supporting bracket under the lower rack being identical;  
 FIG. 3 is a rear elevational view of FIG. 2;  
 FIG. 4 is a bottom plan view of FIG. 2;  
 FIG. 5 is a bottom perspective view of a second embodiment of the design of FIG. 1, the only difference being the supporting bracket, again the upper rack is shown separately for ease of illustration;  
 FIG. 6 is a perspective view of a third embodiment of the design of FIG. 1, the only differences residing in the straight sides and the front edge;  
 FIG. 7 is a side elevational view of the upper rack of the fourth embodiment of the design of FIG. 1, the only differences being the straight sides, the front edge and the supporting bracket.  
 The pool cue illustrated in broken lines in FIGS. 1 and 6 does not comprise a part of my new design.



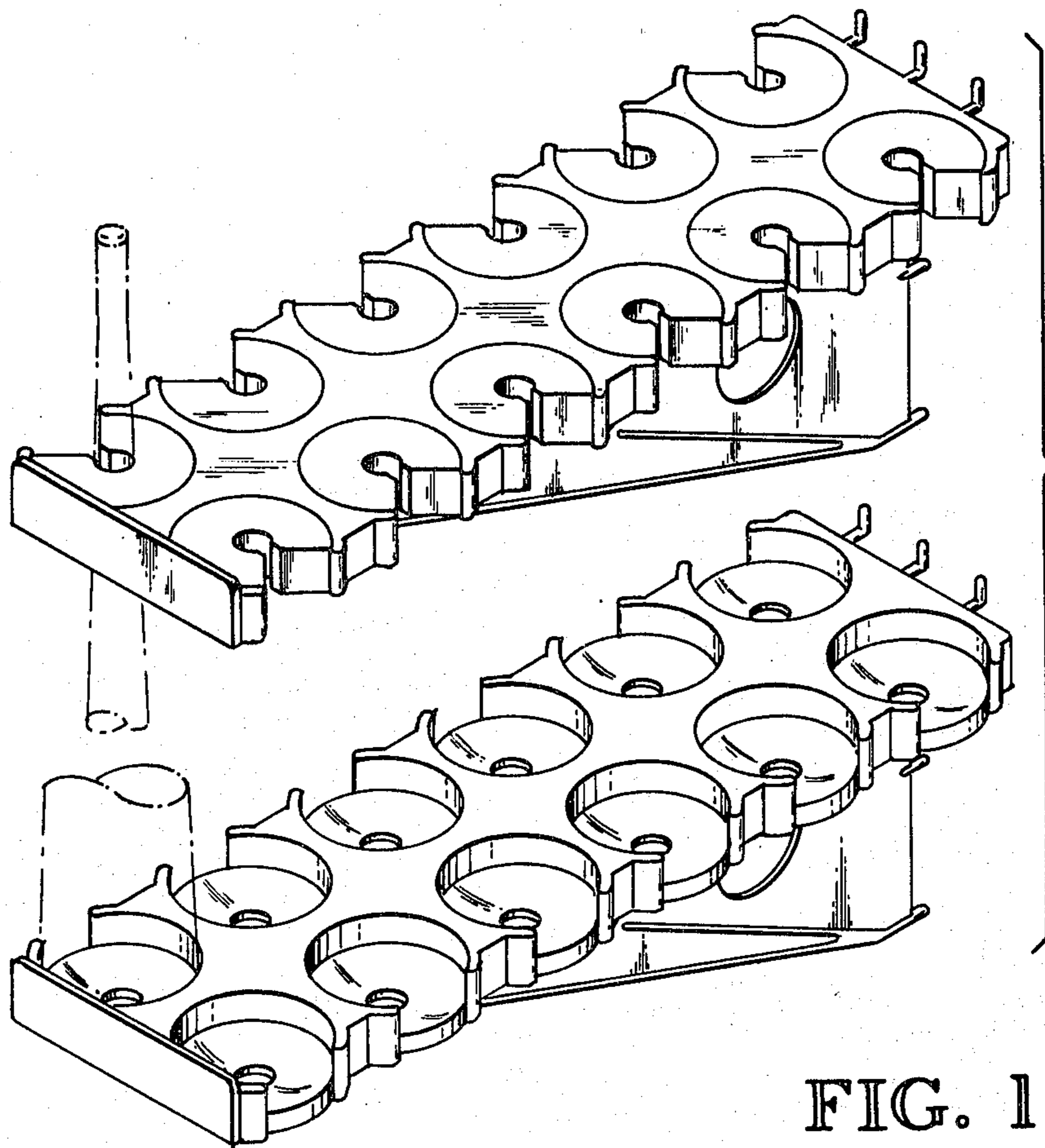
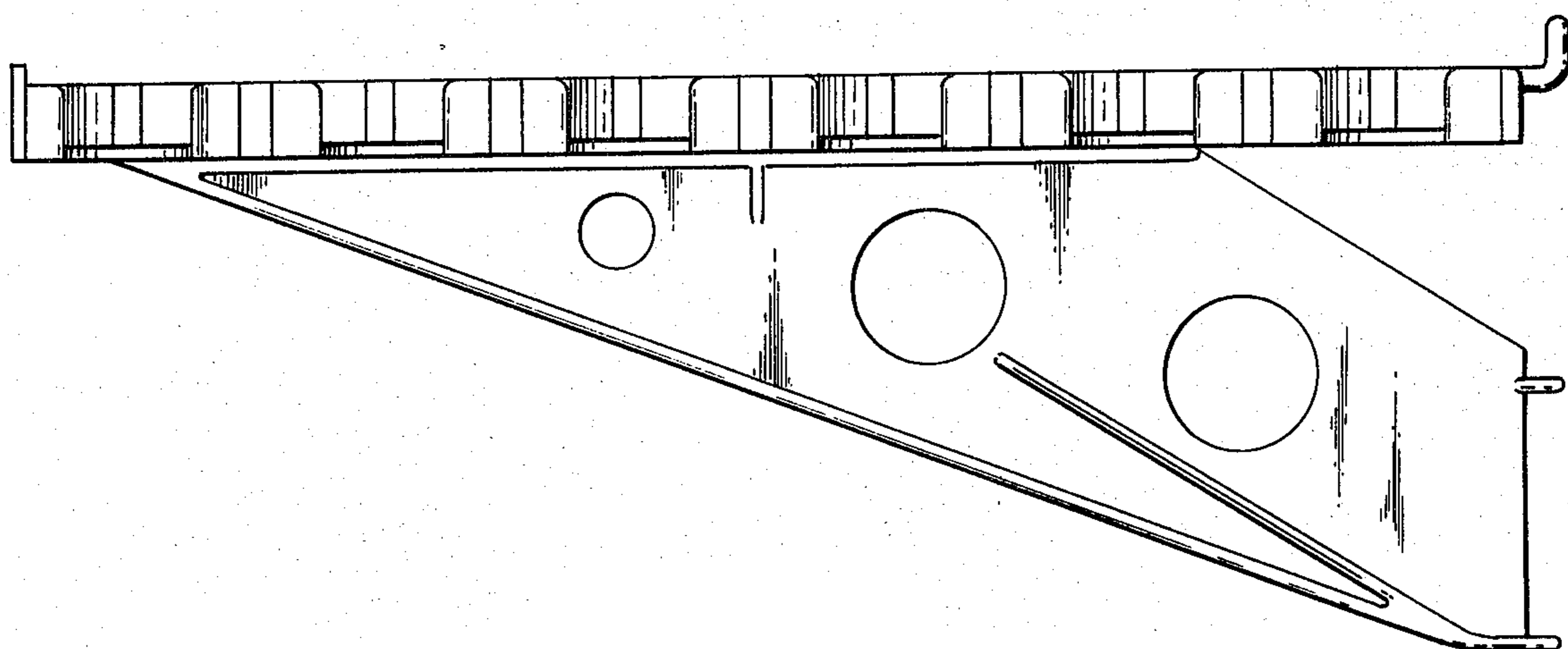


FIG. 1

FIG. 2





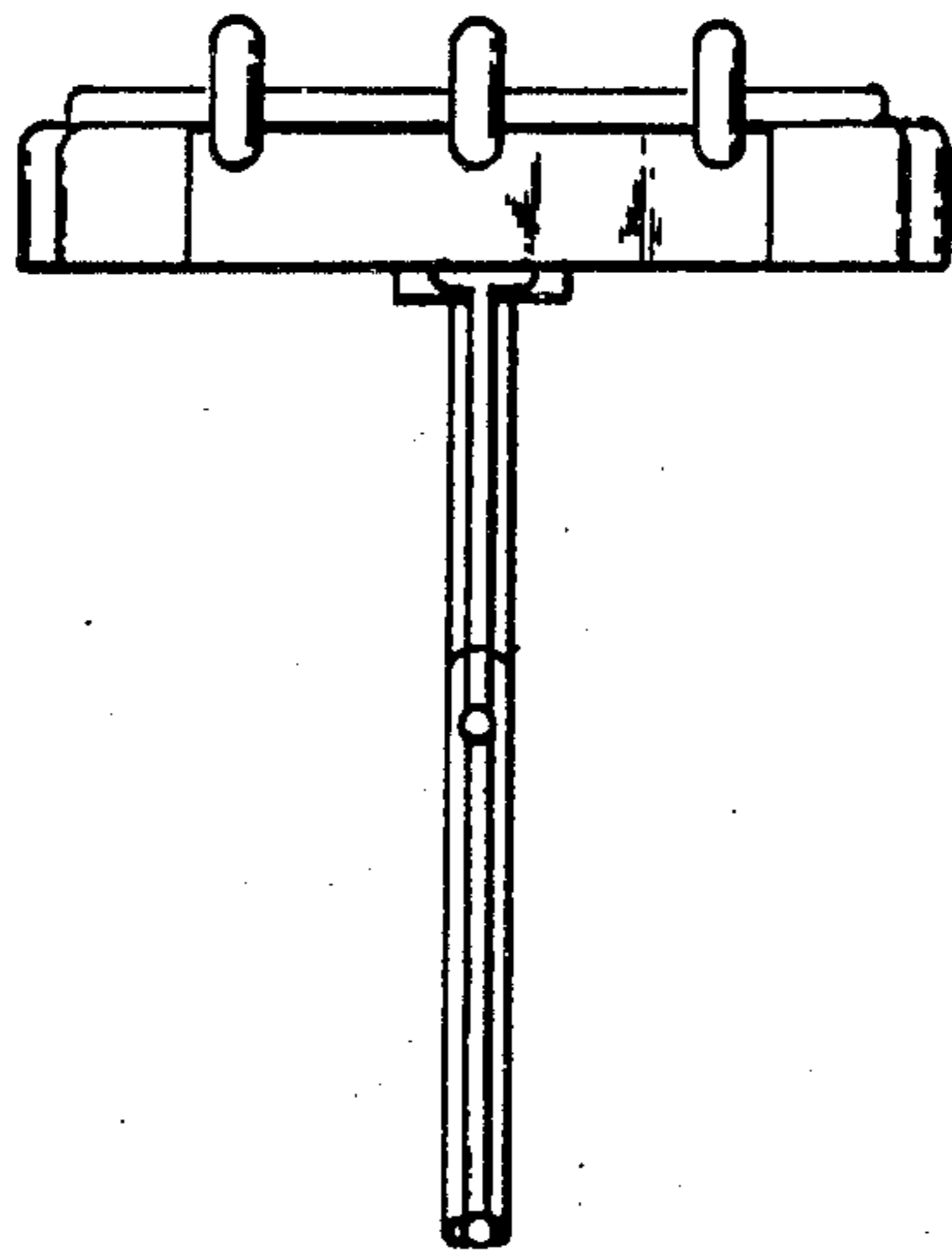


FIG. 3

FIG. 4

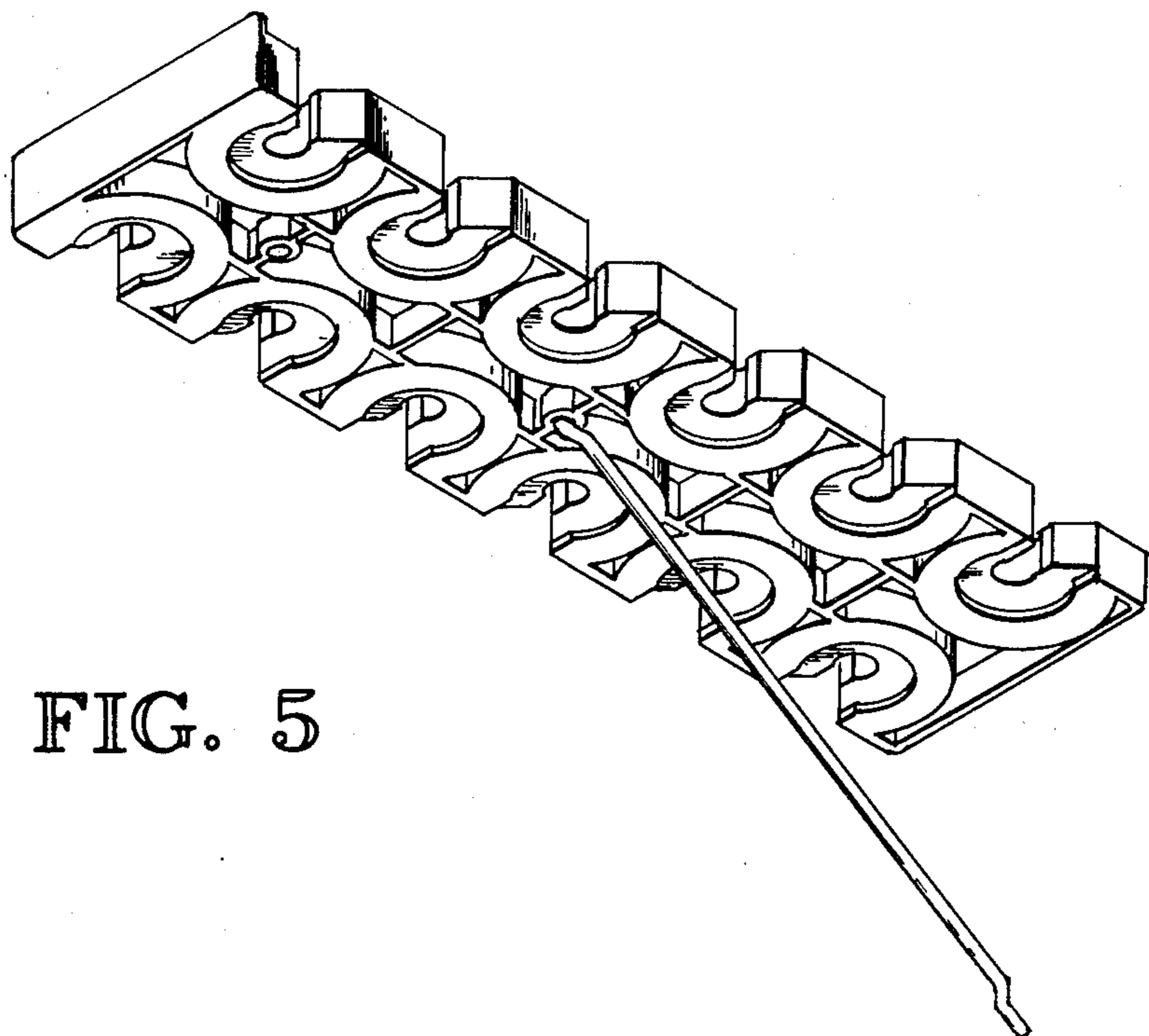
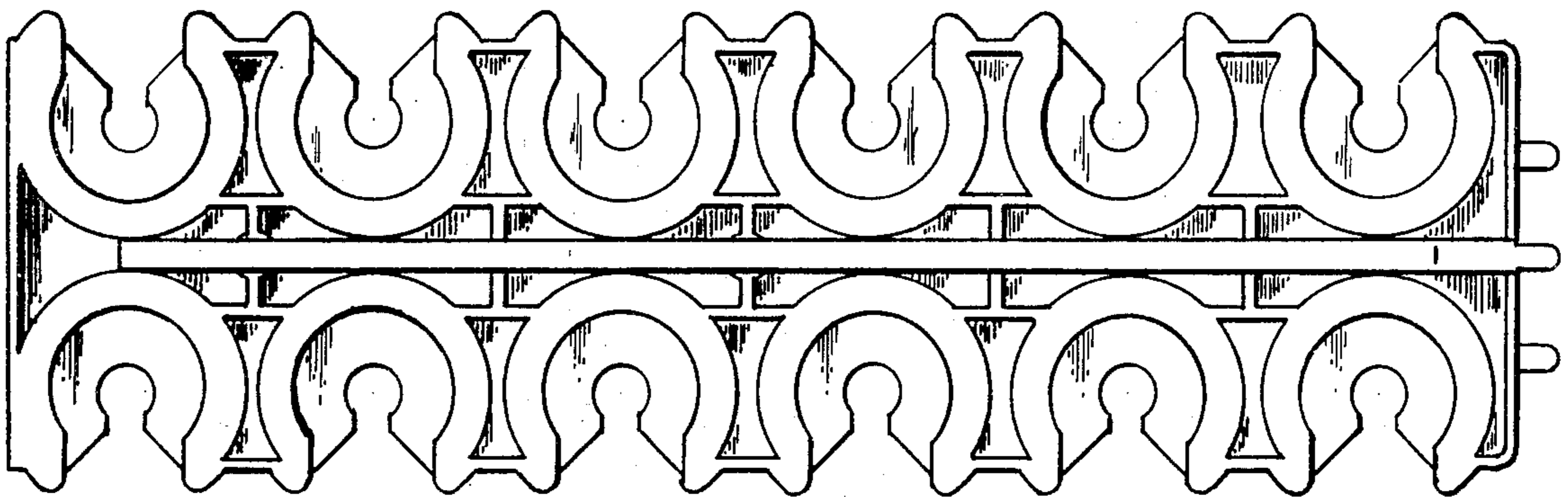


FIG. 5

FIG. 6

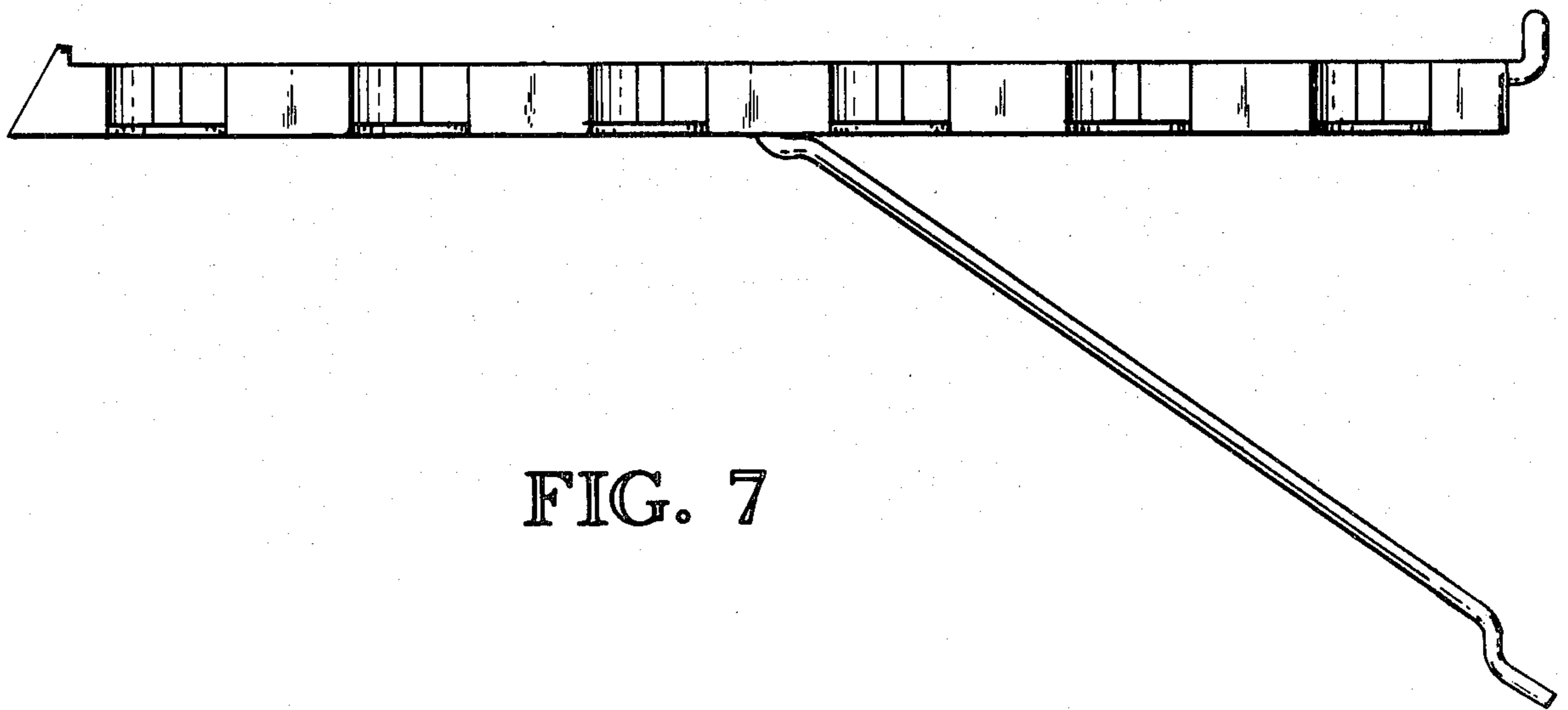
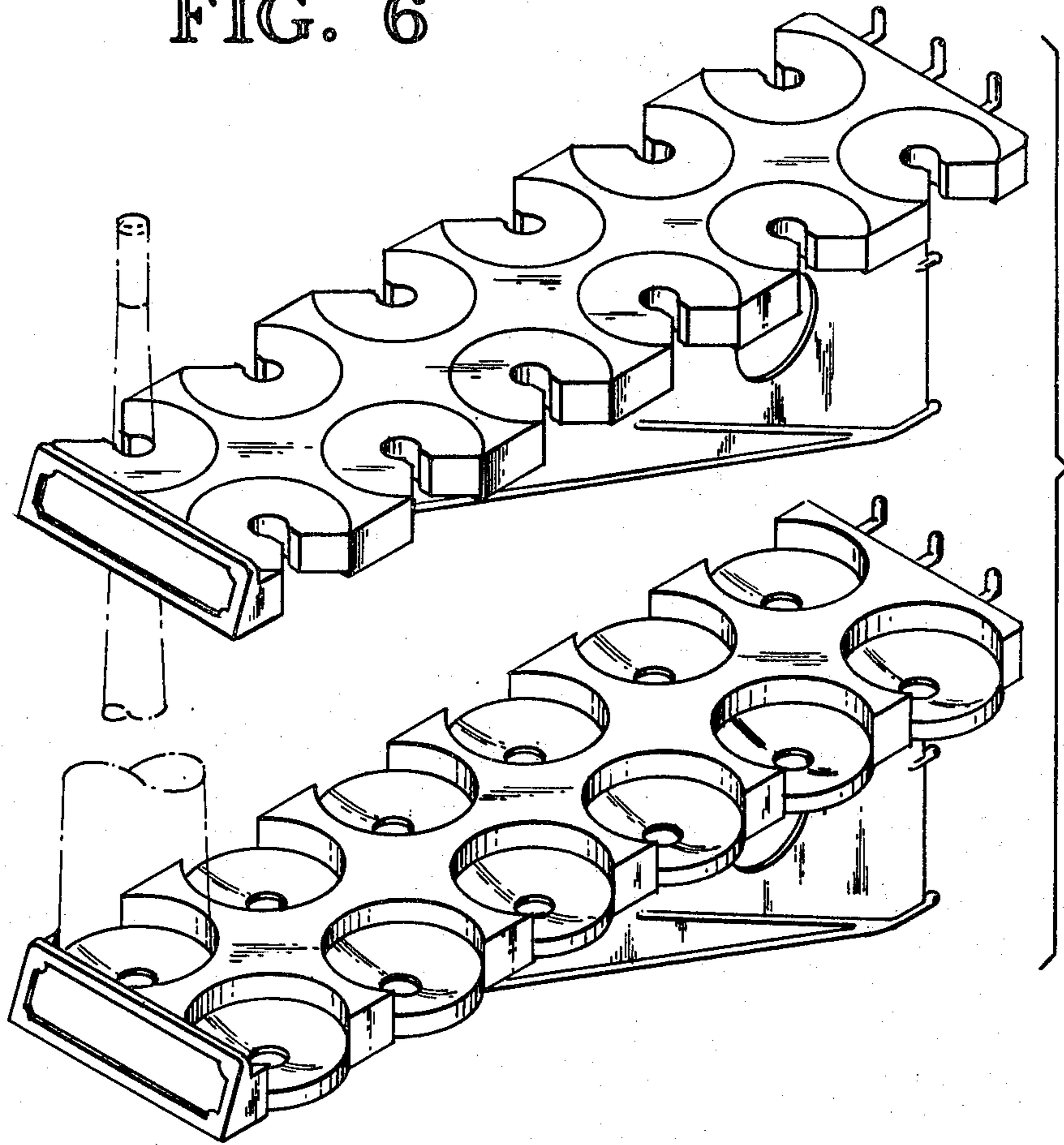


FIG. 7