

[54] SPOTLITE FOR ATTACHMENT TO THE BILL OF A SPORT HAT

[75] Inventor: Gary B. Ader, Spirit Lake, Iowa

[73] Assignee: Berkley and Company, Inc., Spirit Lake, Iowa

[**] Term: 14 Years

[21] Appl. No.: 336,678

[22] Filed: Jan. 4, 1982

[52] U.S. Cl. D26/39

[58] Field of Search D26/37-50, D26/60; 362/157, 158, 183, 184, 186-191, 194-208, 103, 105, 106, 108

[56] References Cited

U.S. PATENT DOCUMENTS

D. 191,532	10/1961	Beers	D26/39
D. 214,943	8/1969	Zapolski	D26/37
1,925,115	9/1933	Seiss	362/197

OTHER PUBLICATIONS

Hong Kong Interprise Catalog, vol. 10, 1980, p. 42 Lantern (left side, near center of edge).

Primary Examiner—Susan J. Lucas
Attorney, Agent, or Firm—Kinney & Lange

[57] CLAIM

The ornamental design for a spotlight for attachment to the bill of a sport hat, as shown and described.

DESCRIPTION

FIG. 1 is a perspective view of a spotlight for attachment to the bill of a sport hat showing my new design, it being understood that the broken lines are for illustrative purposes only;

FIG. 2 is an enlarged front elevational view of the spotlight;

FIG. 3 is a rear elevational view thereof;

FIG. 4 is a top plan view thereof;

FIG. 5 is a bottom plan view thereof; and

FIG. 6 is a left side elevational view thereof.

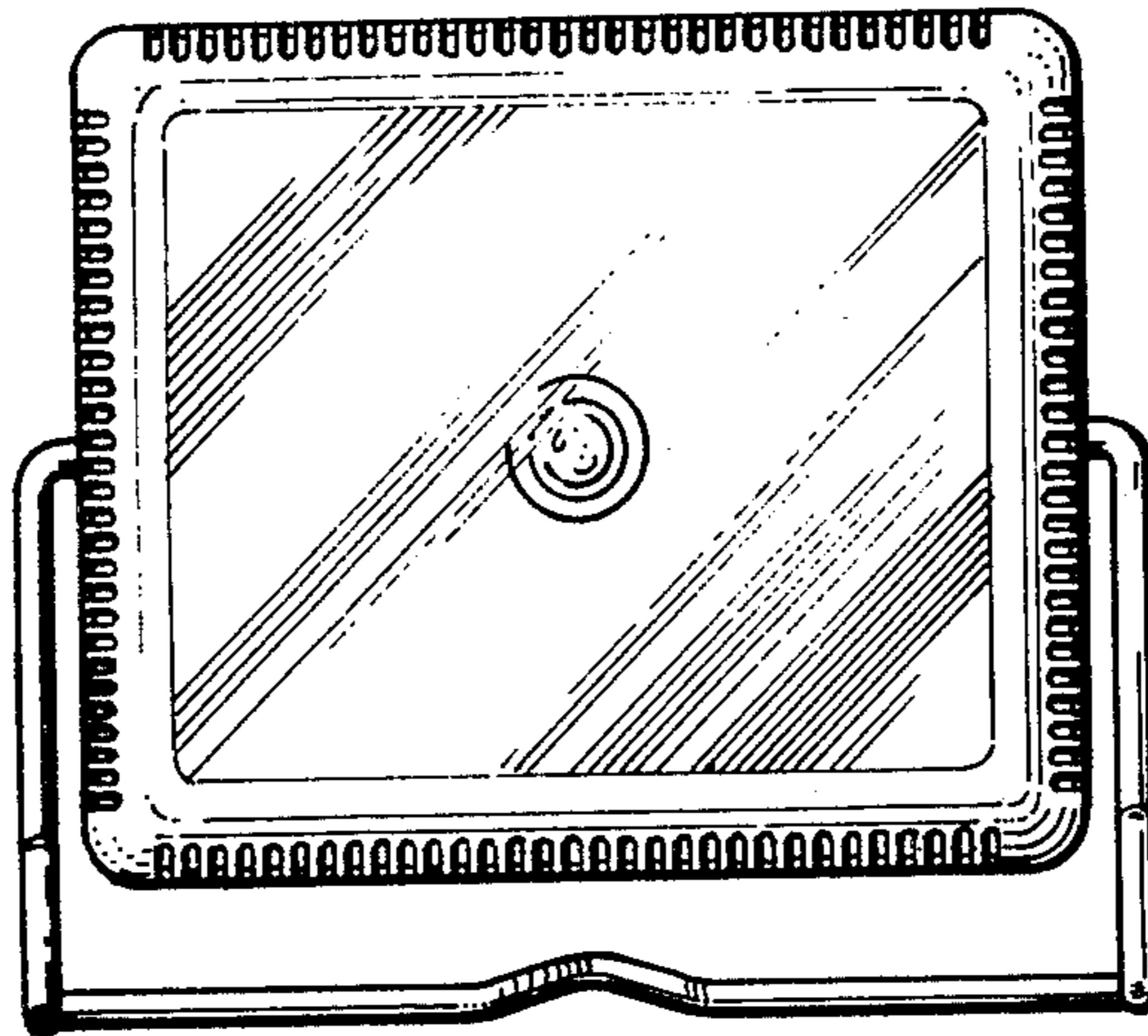


Fig. 1

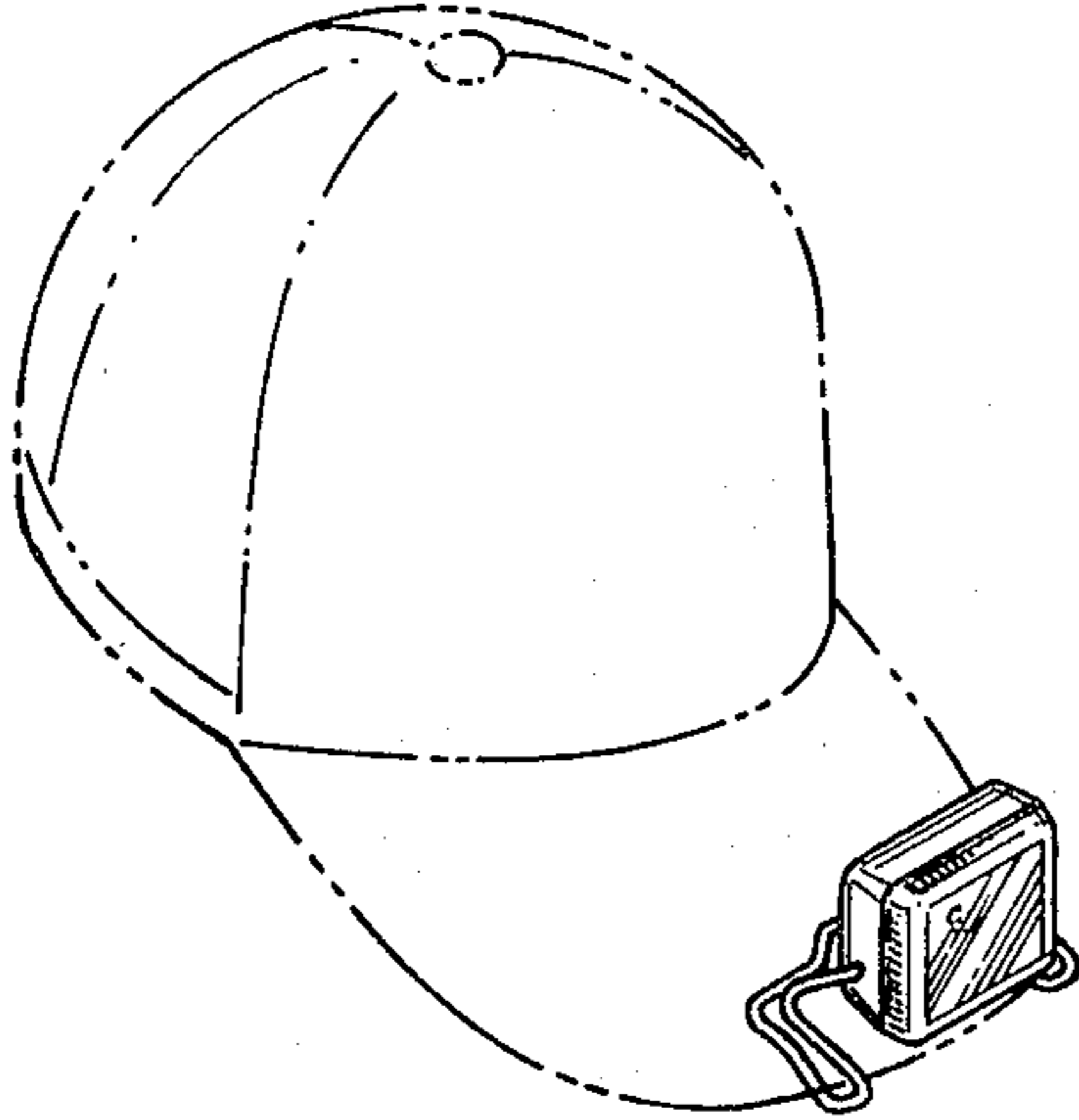


Fig. 2

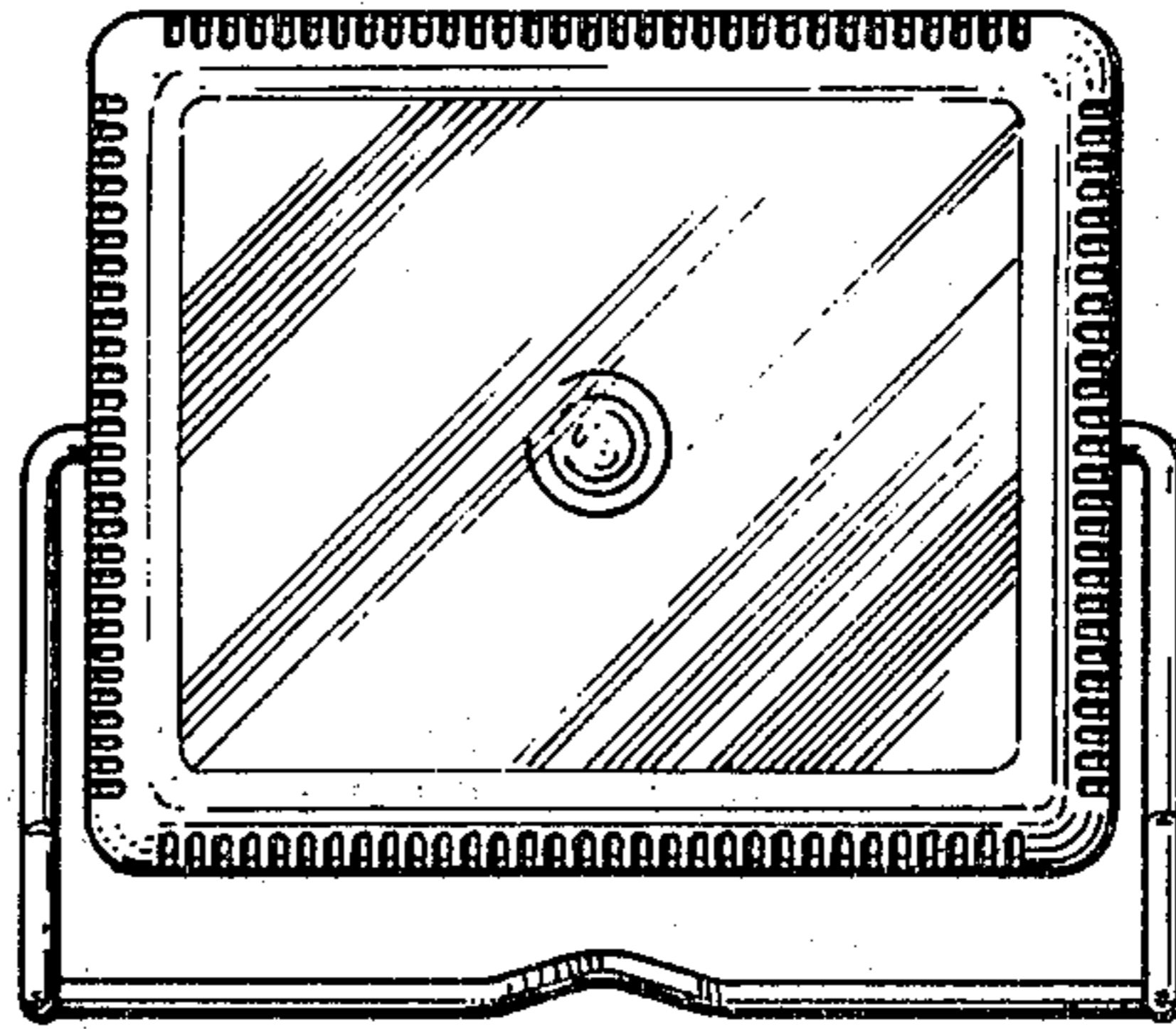


Fig. 3

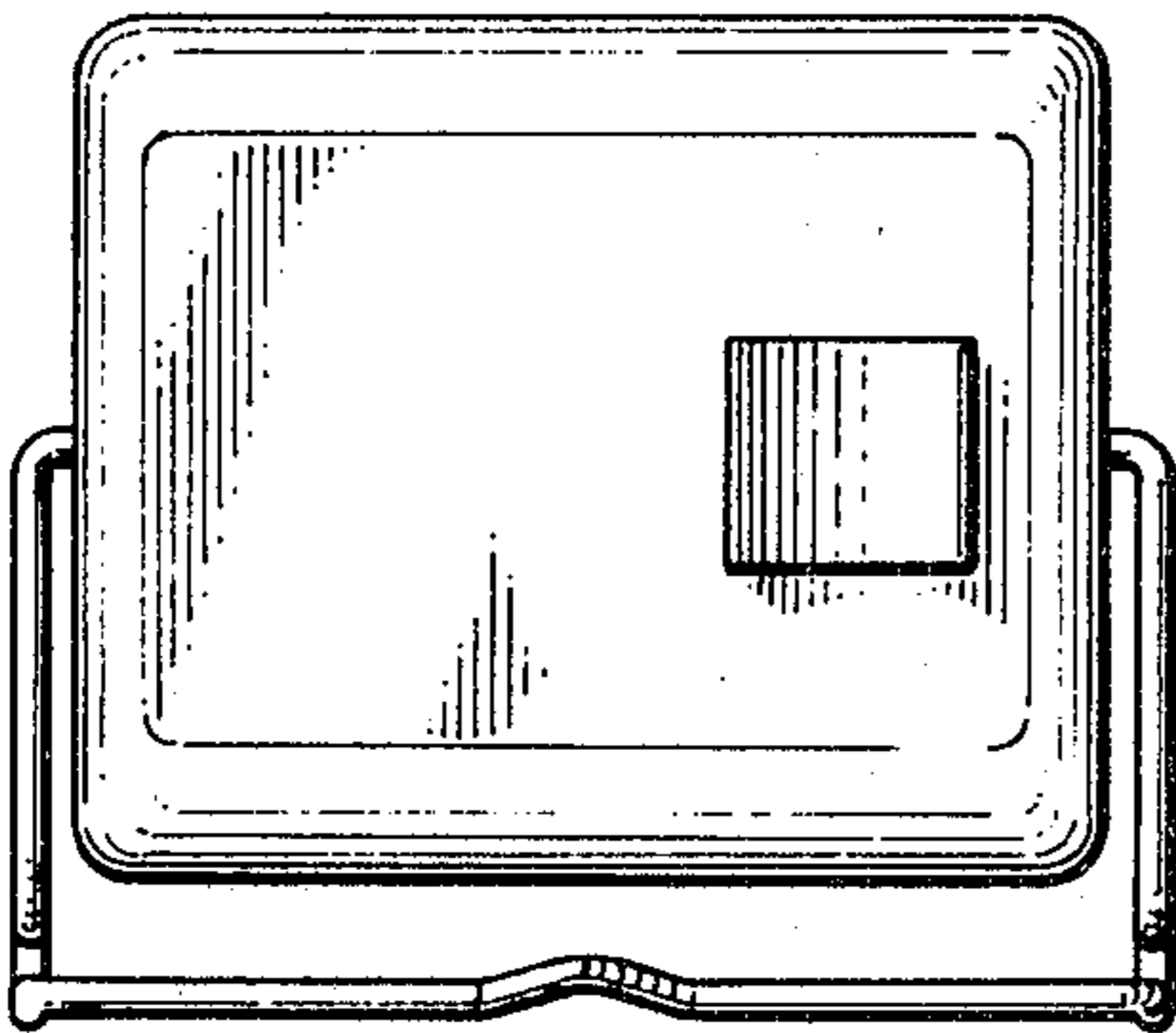


Fig. 4

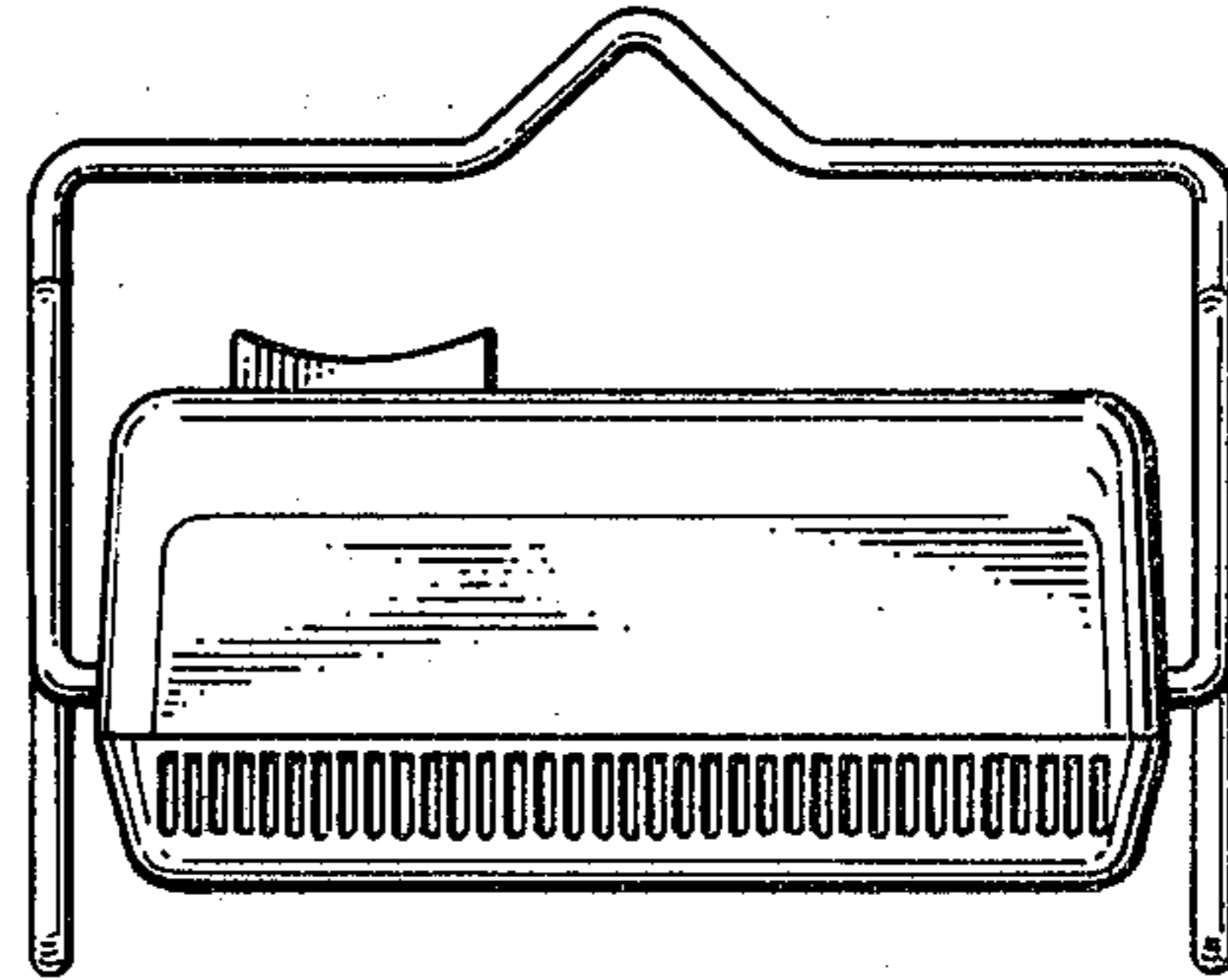


Fig. 5

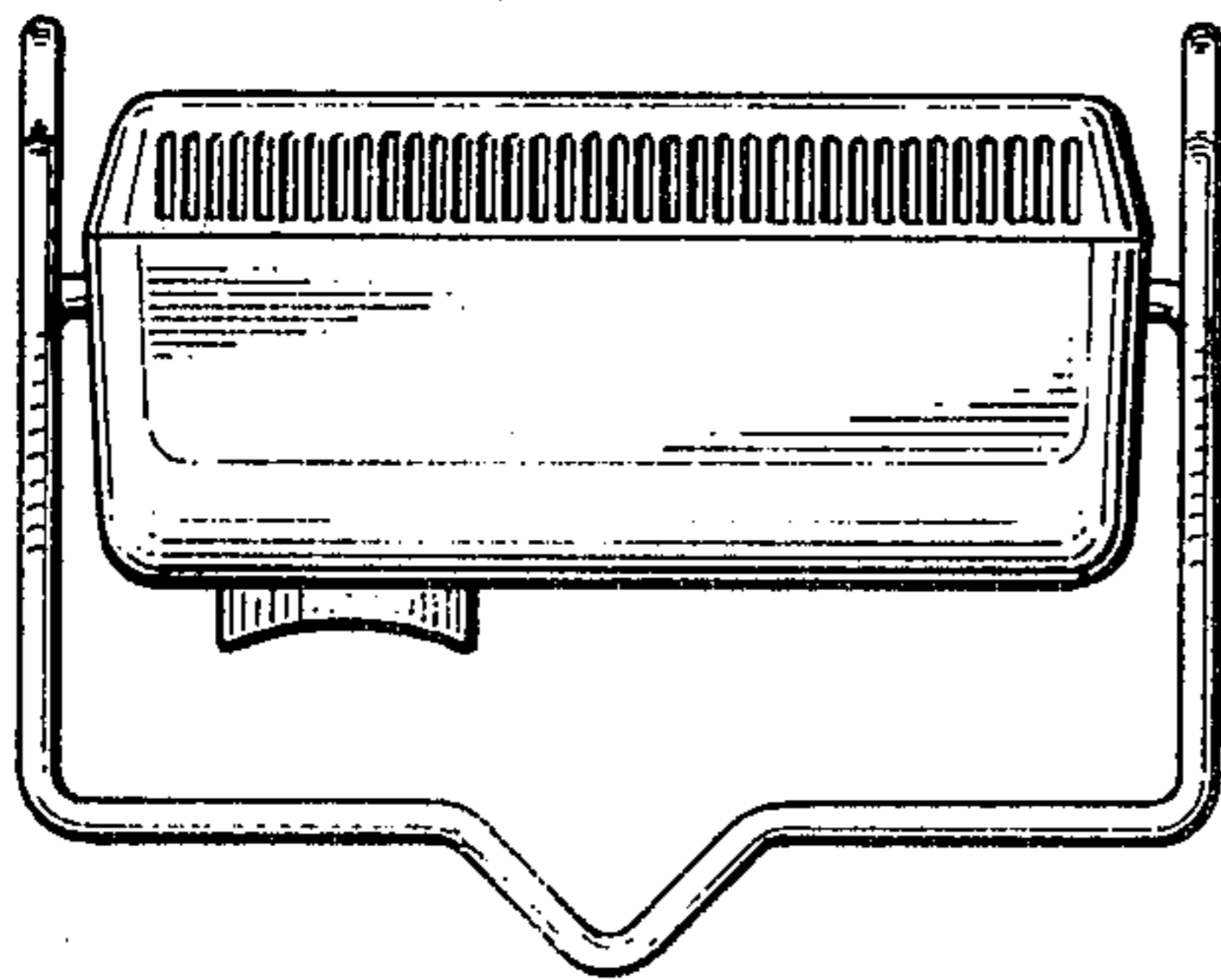


Fig. 6

