

[54] WOOD BURNING HEATING STOVE

OTHER PUBLICATIONS

[76] Inventor: Roger J. Perrin, Sr., 5256 Wells Curtice Rd., Canandaigua, N.Y. 14424

Woodstove Directory-1981-p. 77-Gatling Dome Heater.

Woodstove Directory-1982-p. 55-Constellation Stove.

[\*\*] Term: 14 Years

Primary Examiner—Catherine E. Kemper  
Attorney, Agent, or Firm—Stonebraker, Shepard & Stephens

[21] Appl. No.: 477,343

[57] CLAIM

[22] Filed: Mar. 21, 1983

The ornamental design for a wood burning heating stove, substantially as shown and described.

[52] U.S. Cl. .... D23/97

[58] Field of Search ..... D23/92-97;  
126/58, 60-66, 110, 120, 121, 123, 126, 138

DESCRIPTION

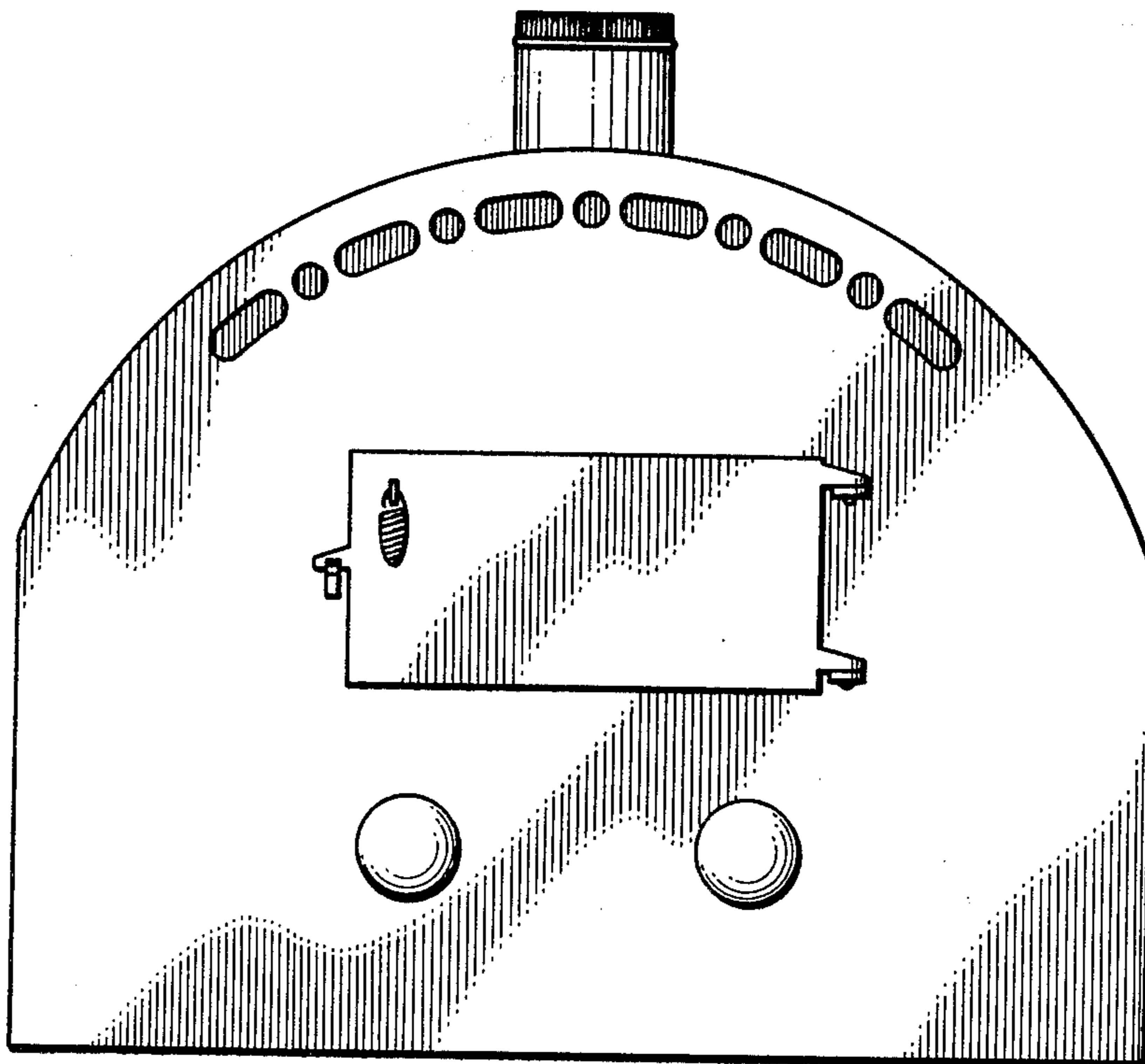
[56] References Cited

U.S. PATENT DOCUMENTS

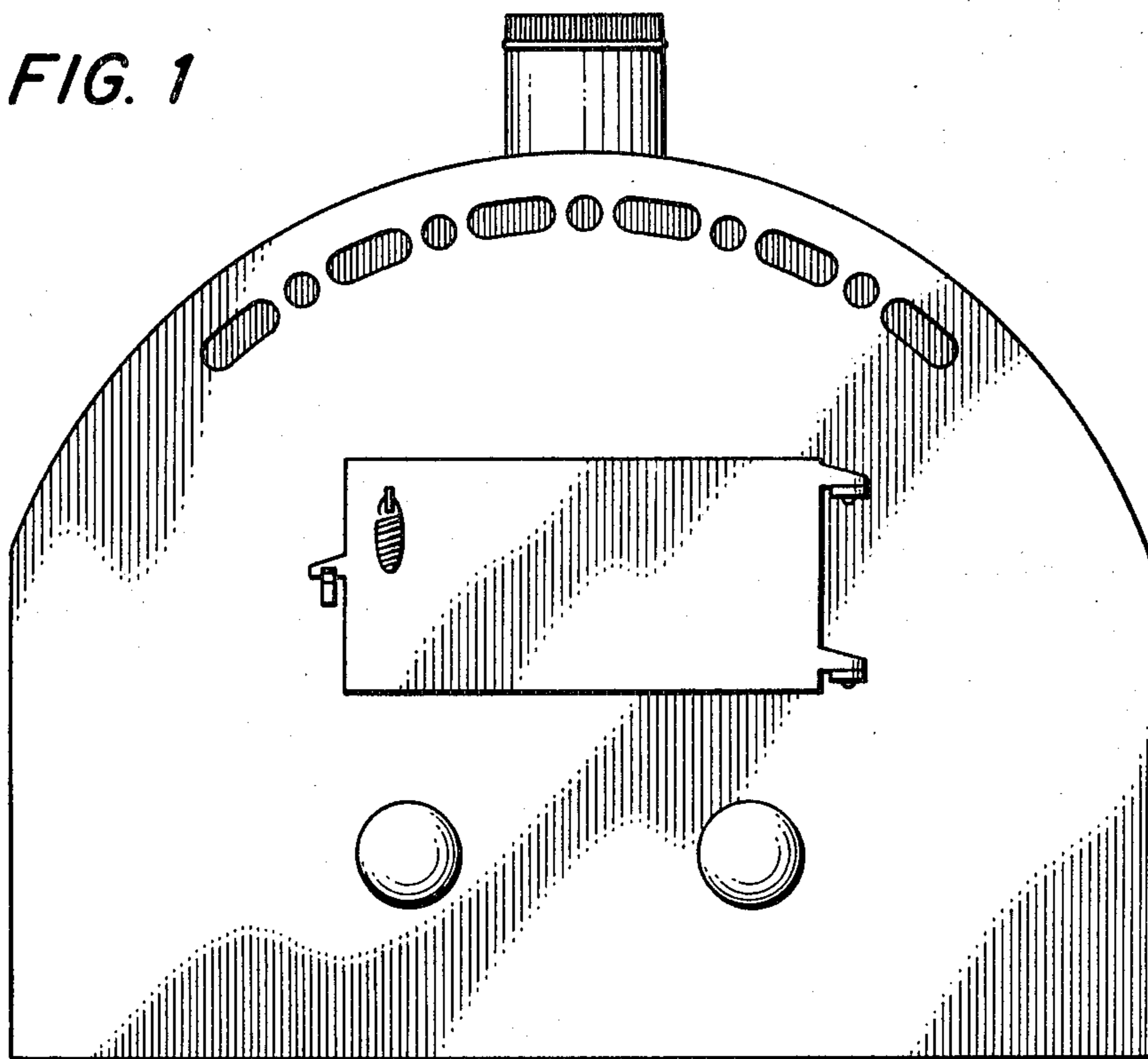
- D. 251,385 3/1979 Zimmer ..... D23/97
- D. 262,651 1/1982 Louderback ..... D23/97
- 607,793 7/1898 Brien et al. .... D23/92 X
- 4,387,699 6/1983 Murch, Jr. .... 126/61

FIG. 1 is a front elevational view of a wood burning heating stove, showing my new design;  
FIG. 2 is a rear elevational view thereof;  
FIG. 3 is a left side elevational view thereof;  
FIG. 4 is a right side elevational view thereof; and  
FIG. 5 is a top plan view thereof.

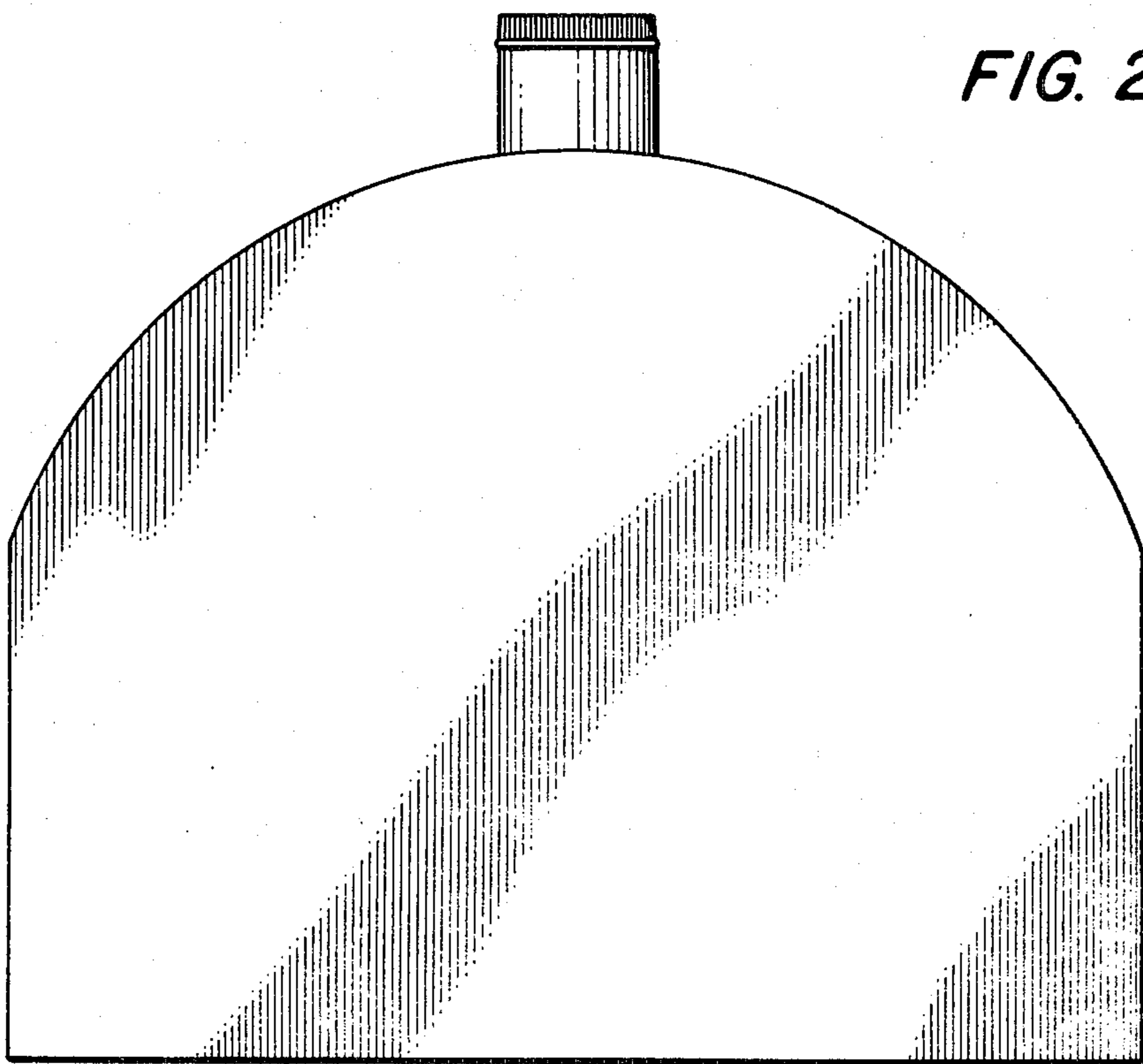
The bottom surface of the stove is substantially planar and unornamented.

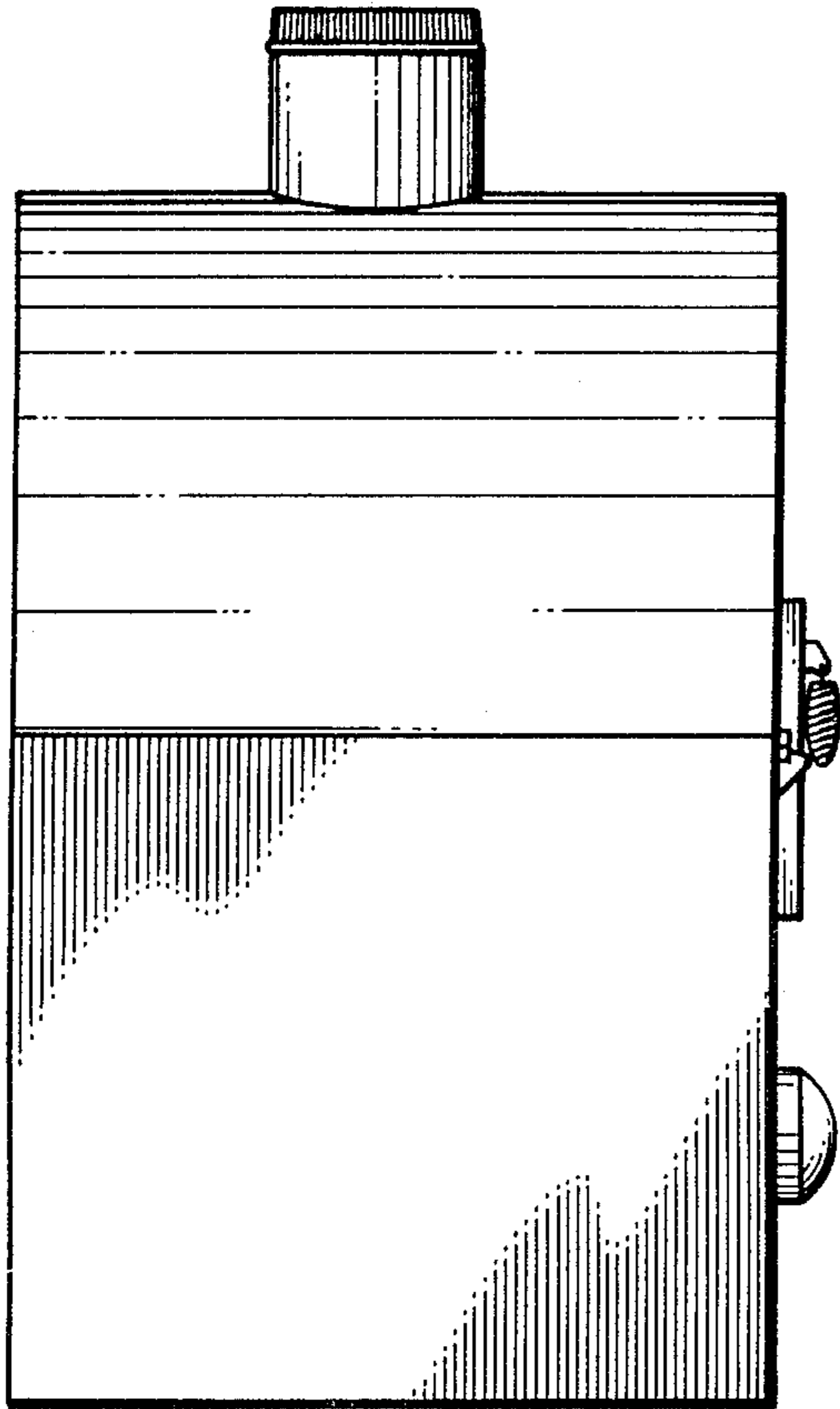


*FIG. 1*

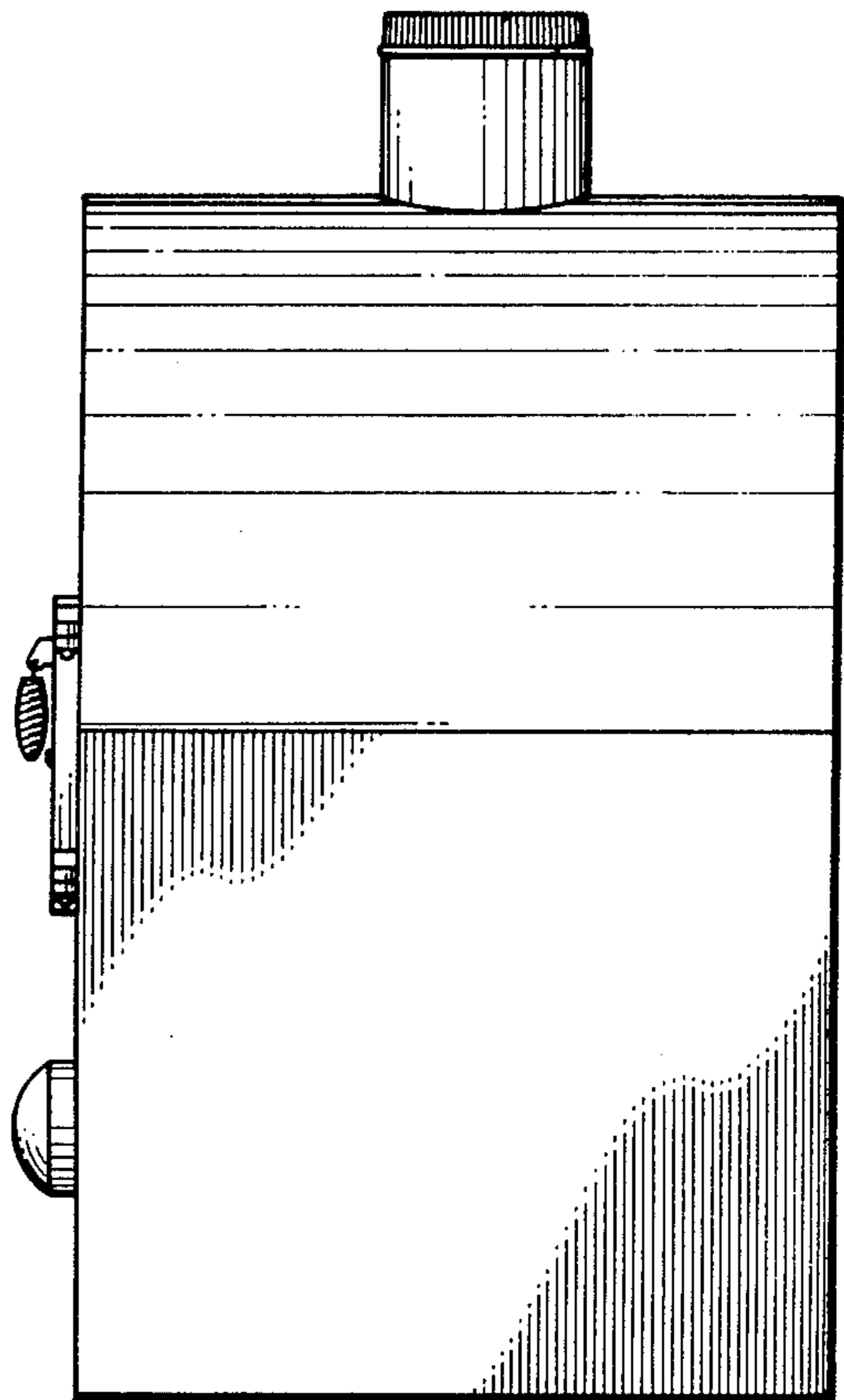


*FIG. 2*

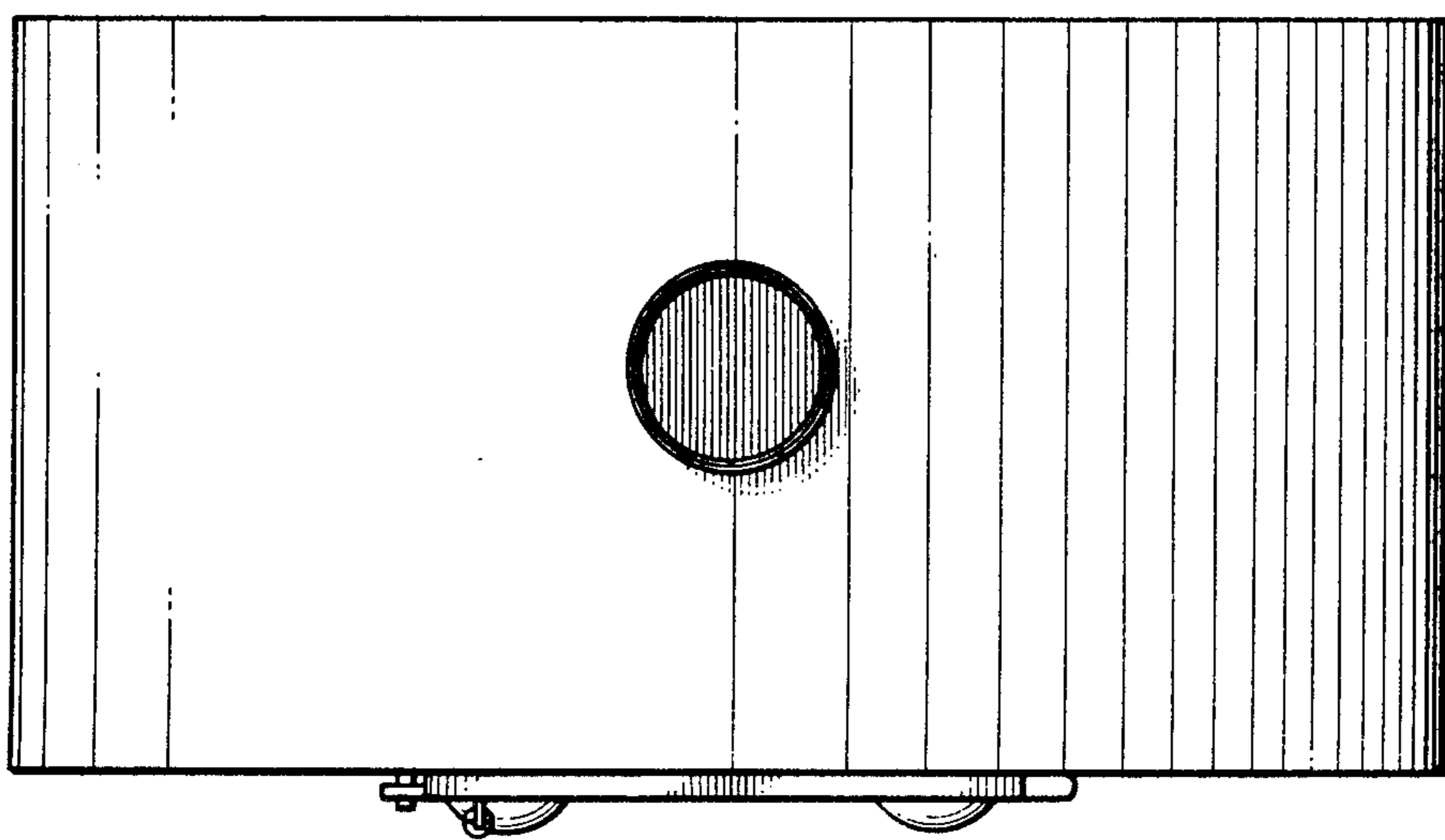




*FIG. 3*



*FIG. 4*



*FIG. 5*