

[54] WATER CLOSET OR SIMILAR ARTICLE

4,041,554 8/1977 Gregory 4/420

[75] Inventor: Jack N. Kaiser, Danville, Ky.

Primary Examiner—James R. Largen

[73] Assignee: American Standard Inc., New York, N.Y.

Attorney, Agent, or Firm—James J. Salerno, Jr.; Robert G. Crooks; John P. Sinnott

[**] Term: 14 Years

[57] CLAIM

[21] Appl. No.: 346,984

The ornamental design for a water closet or similar article, substantially as shown and described.

[22] Filed: Feb. 8, 1982

DESCRIPTION

[52] U.S. Cl. D23/67

[58] Field of Search D23/51, 65-68

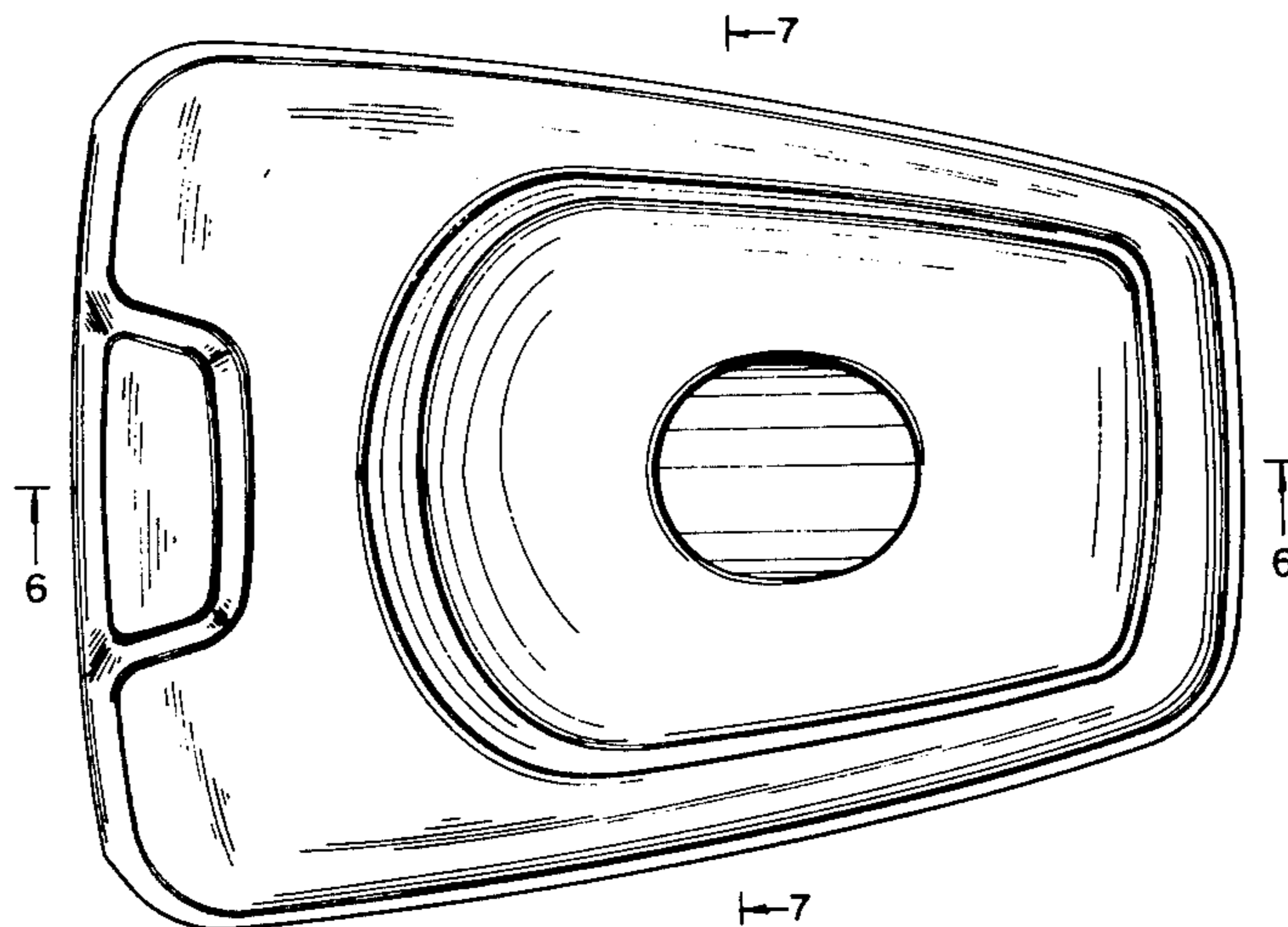
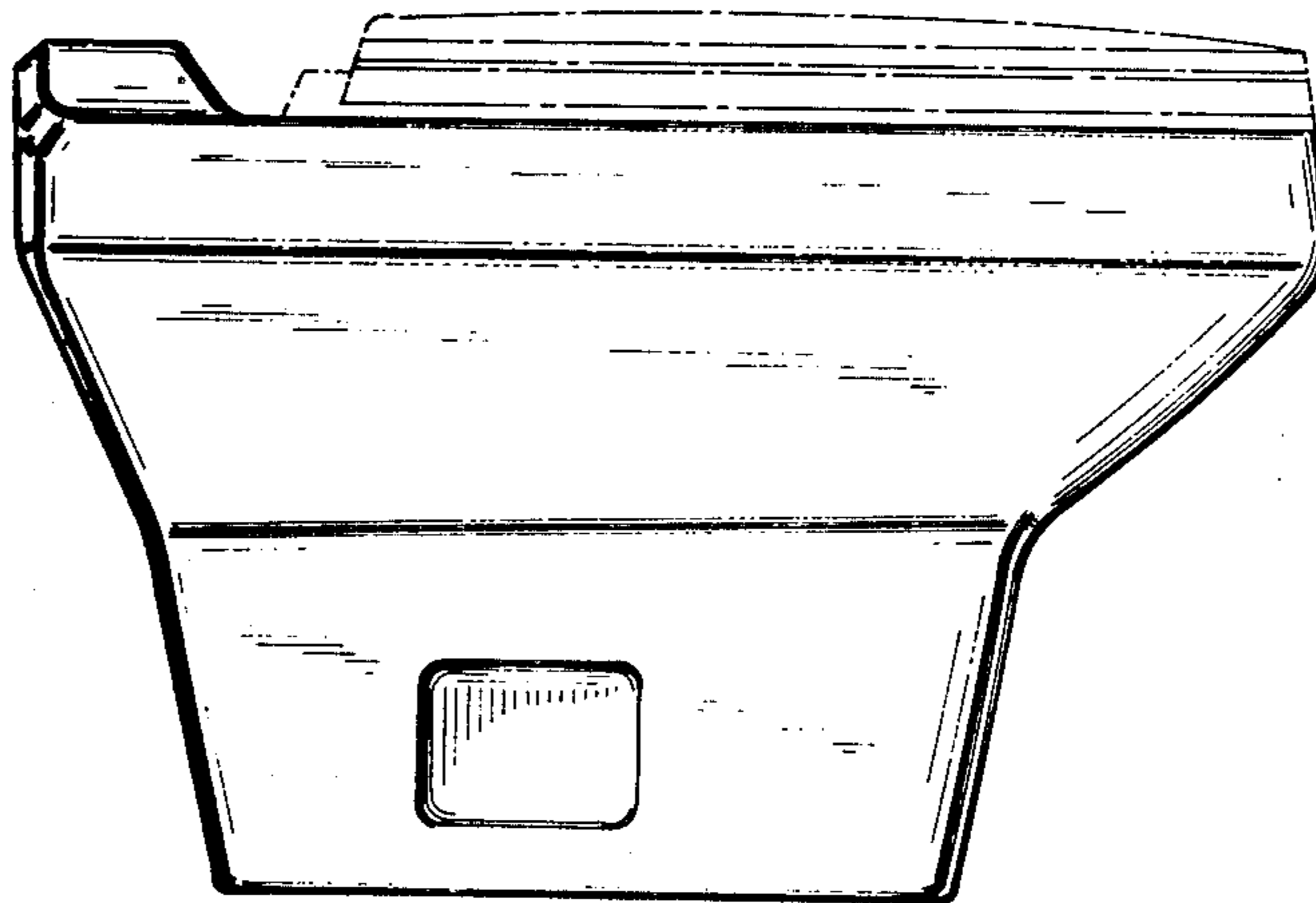
[56] References Cited

U.S. PATENT DOCUMENTS

D. 199,049	9/1964	Kaiser	D23/67
D. 221,652	8/1971	Harvey	D23/67
D. 250,202	11/1978	Doman et al.	D23/65
D. 261,797	11/1981	Kaiser	D23/51
D. 262,647	1/1982	Kaiser	D23/65
D. 264,620	5/1982	Kaiser	D23/65
D. 268,780	4/1983	Doman et al.	D23/65
D. 271,326	11/1983	Doman et al.	D23/65
4, 62,548	7/1979	Groombridge et al.	4/300

FIG. 1 is a left side elevational view of water closet or similar article embodying my new design, the right side being a mirror image of the left side shown; FIG. 2 is a front elevational view thereof; FIG. 3 is a top plan view thereof; FIG. 4 is a rear elevational view thereof; FIG. 5 is a bottom plan view thereof; FIG. 6 is a cross sectional view taken on line 6—6 of FIG. 3; and FIG. 7 is a cross sectional view taken on line 7—7 of FIG. 3.

The broken line showing of a toilet seat in FIG. 1 is for purposes of illustration only and forms no part of the claimed design.



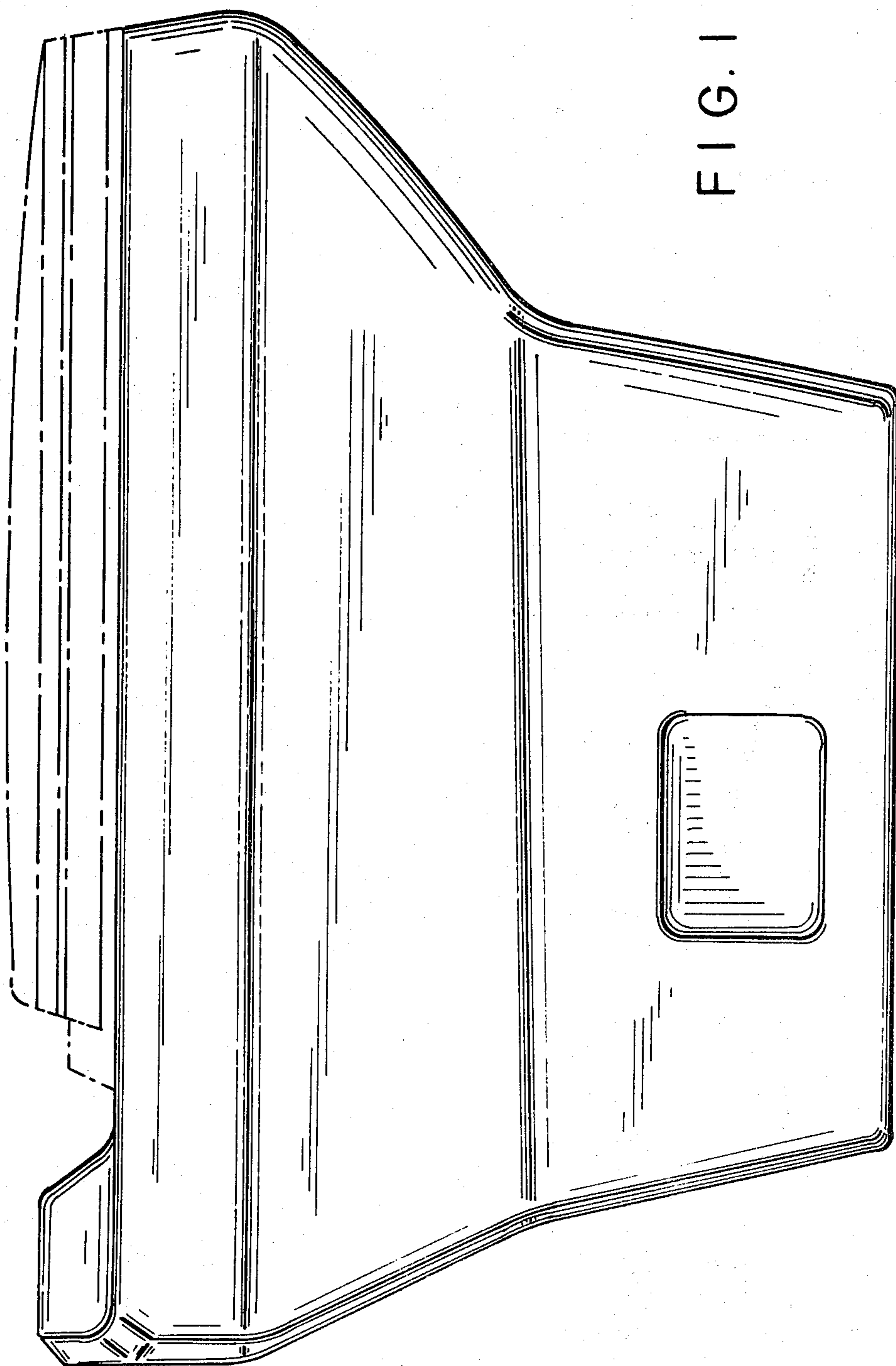


FIG. 1

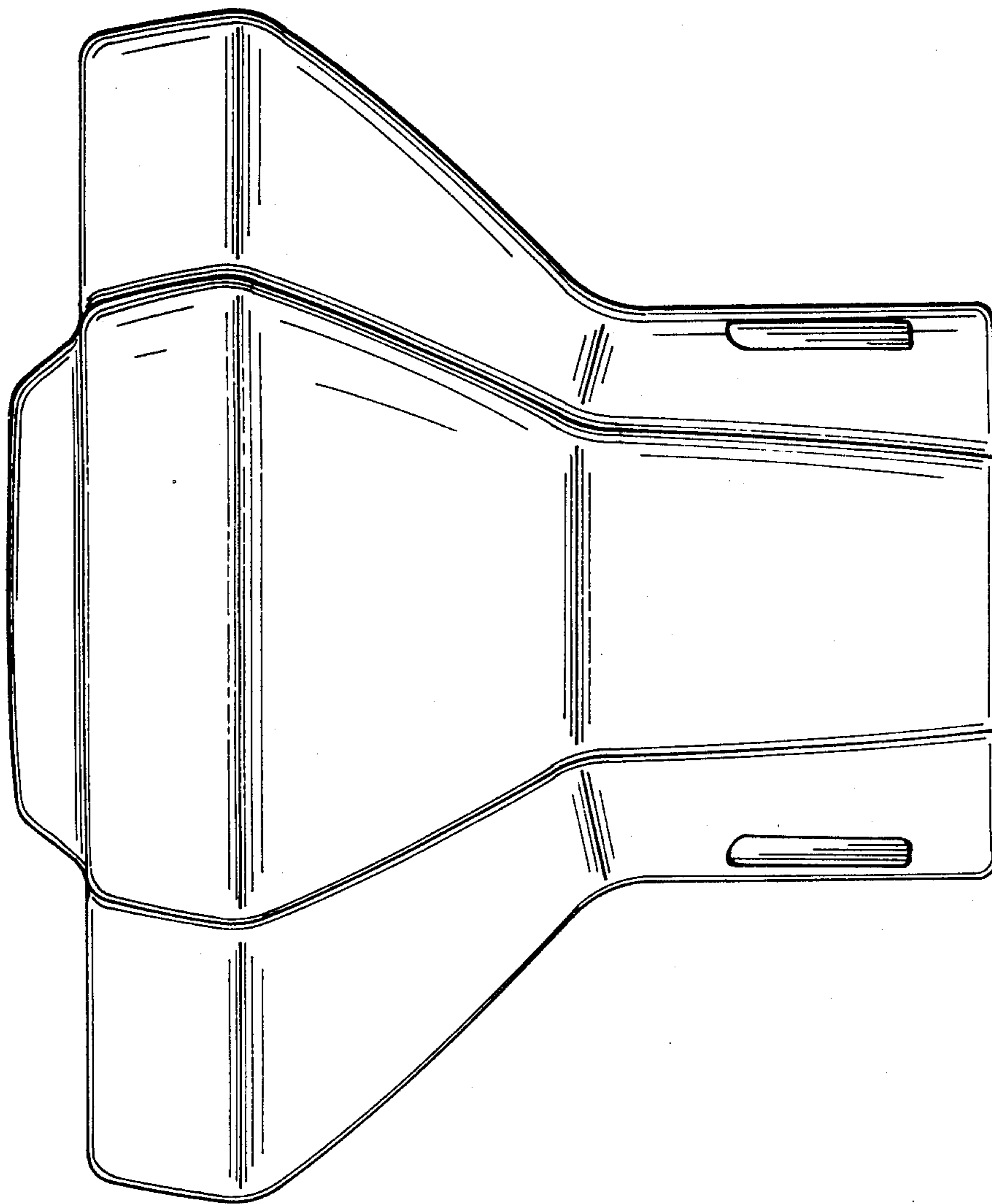
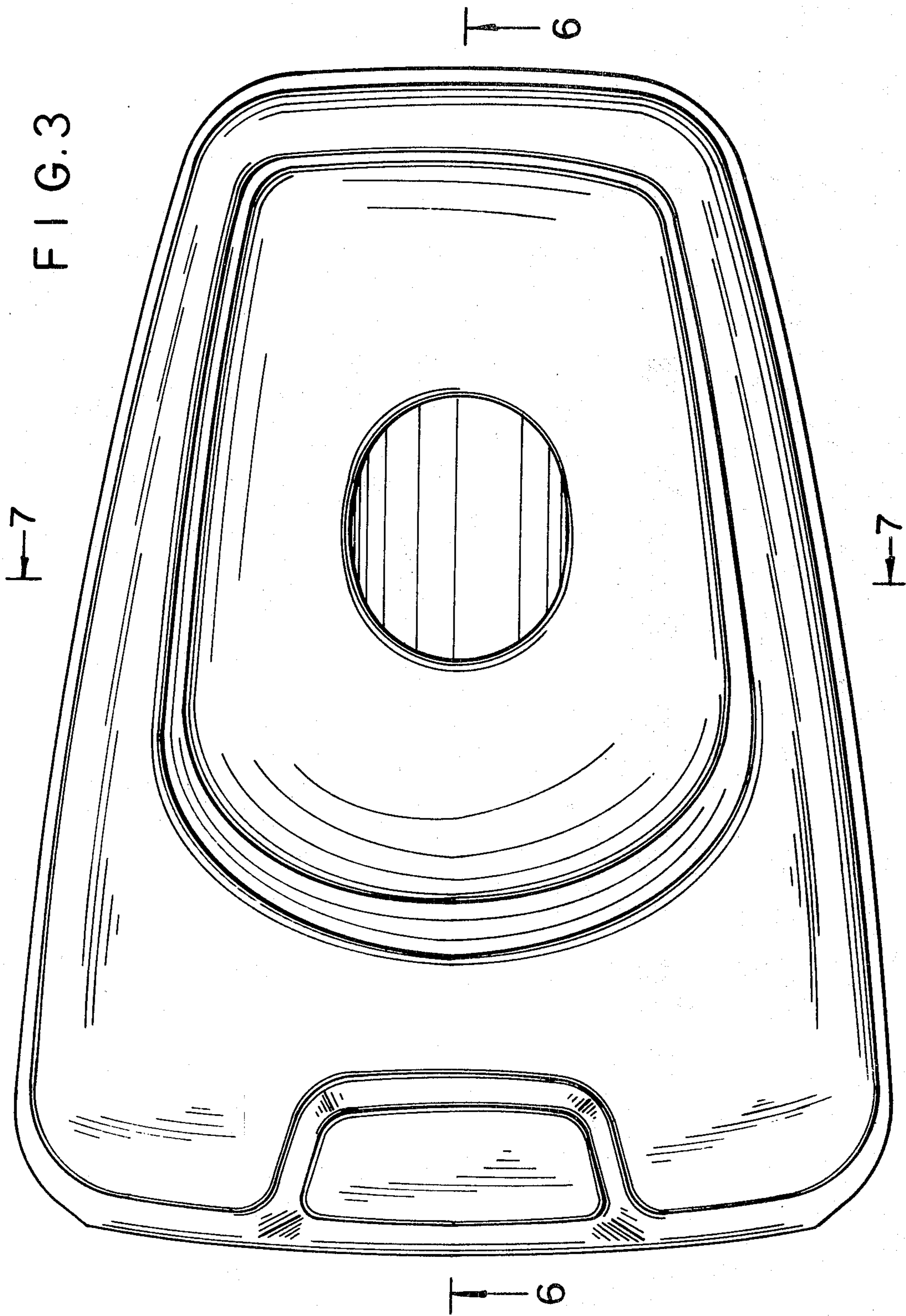


FIG. 2



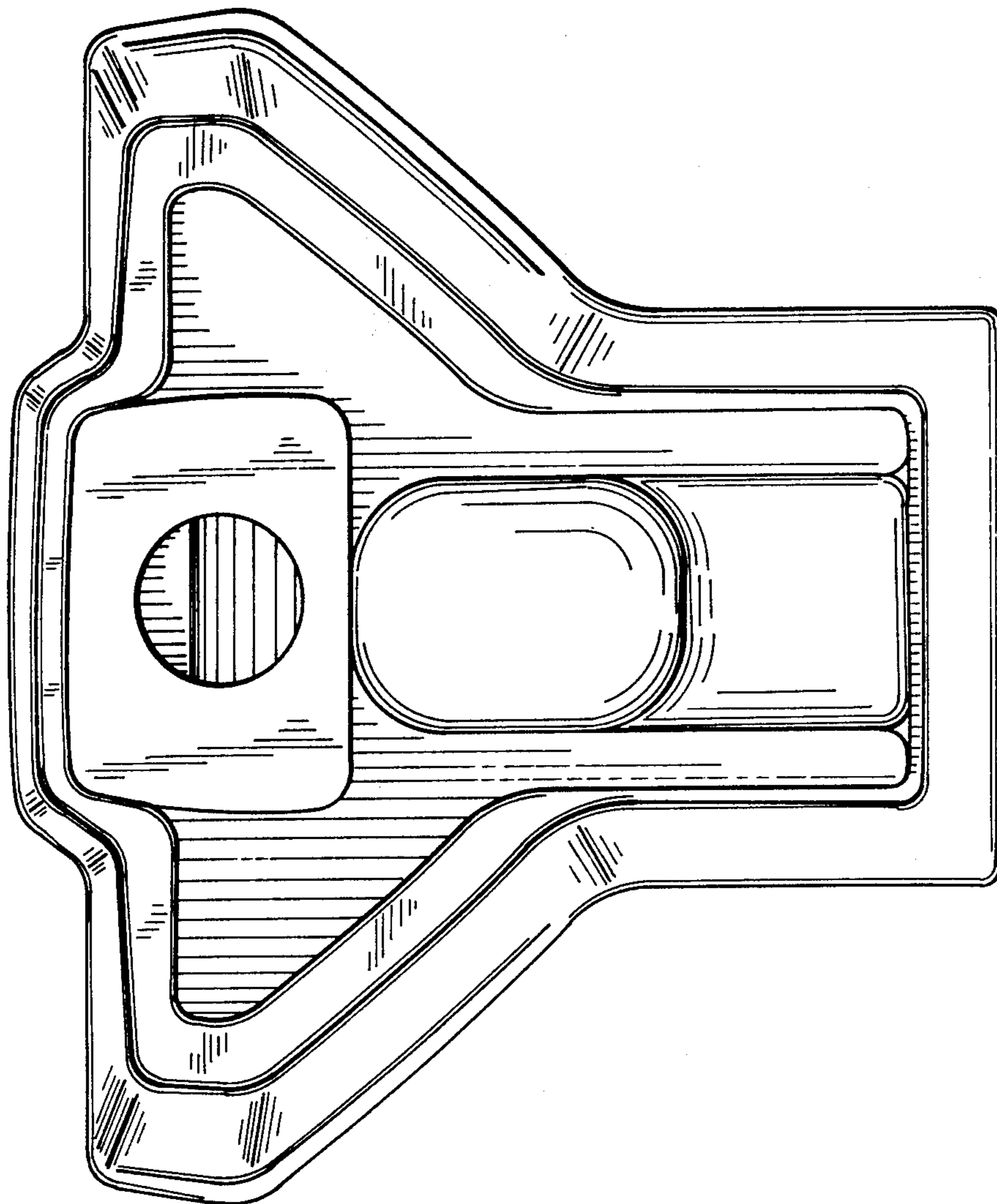
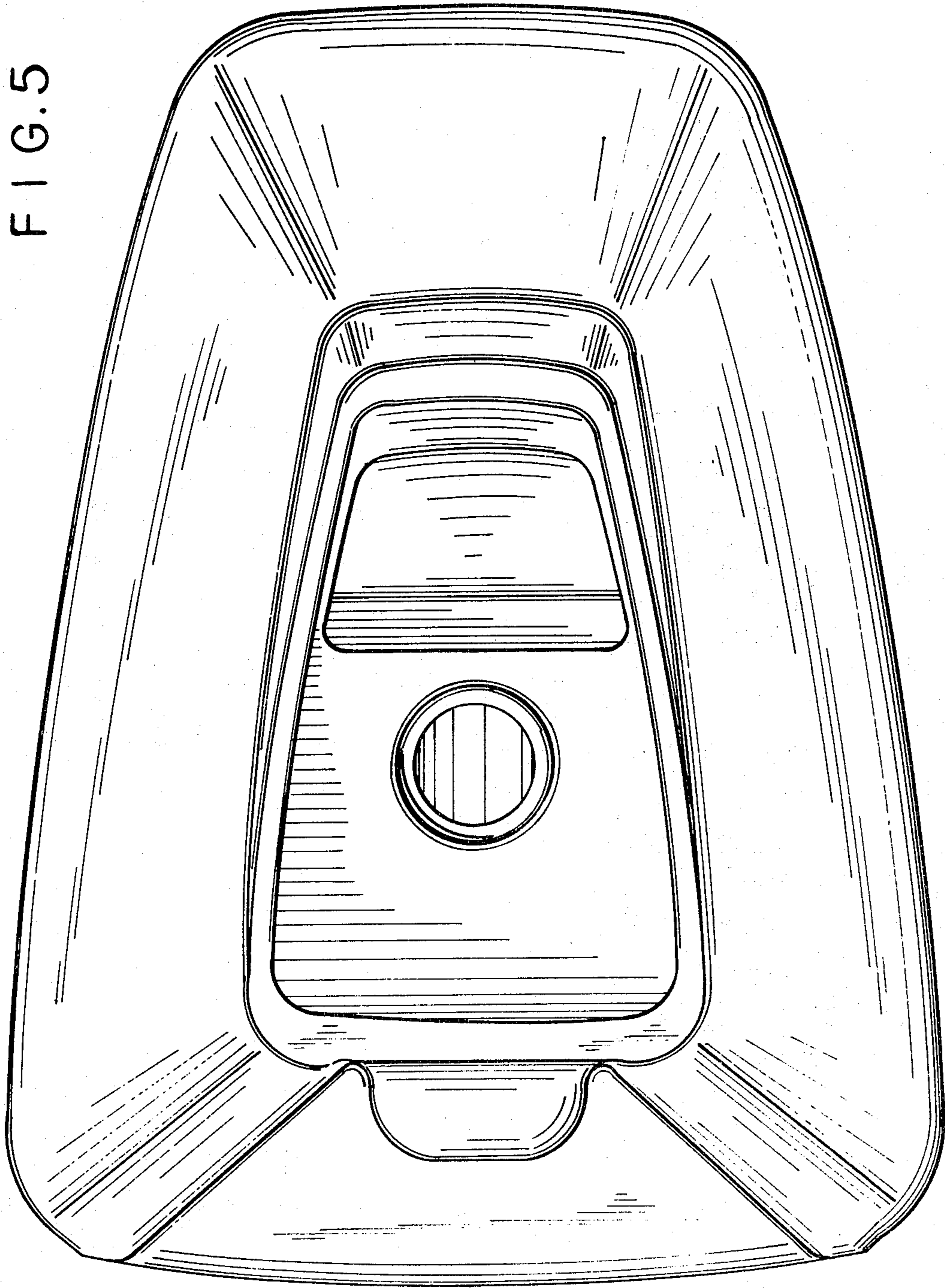


FIG. 4

FIG. 5



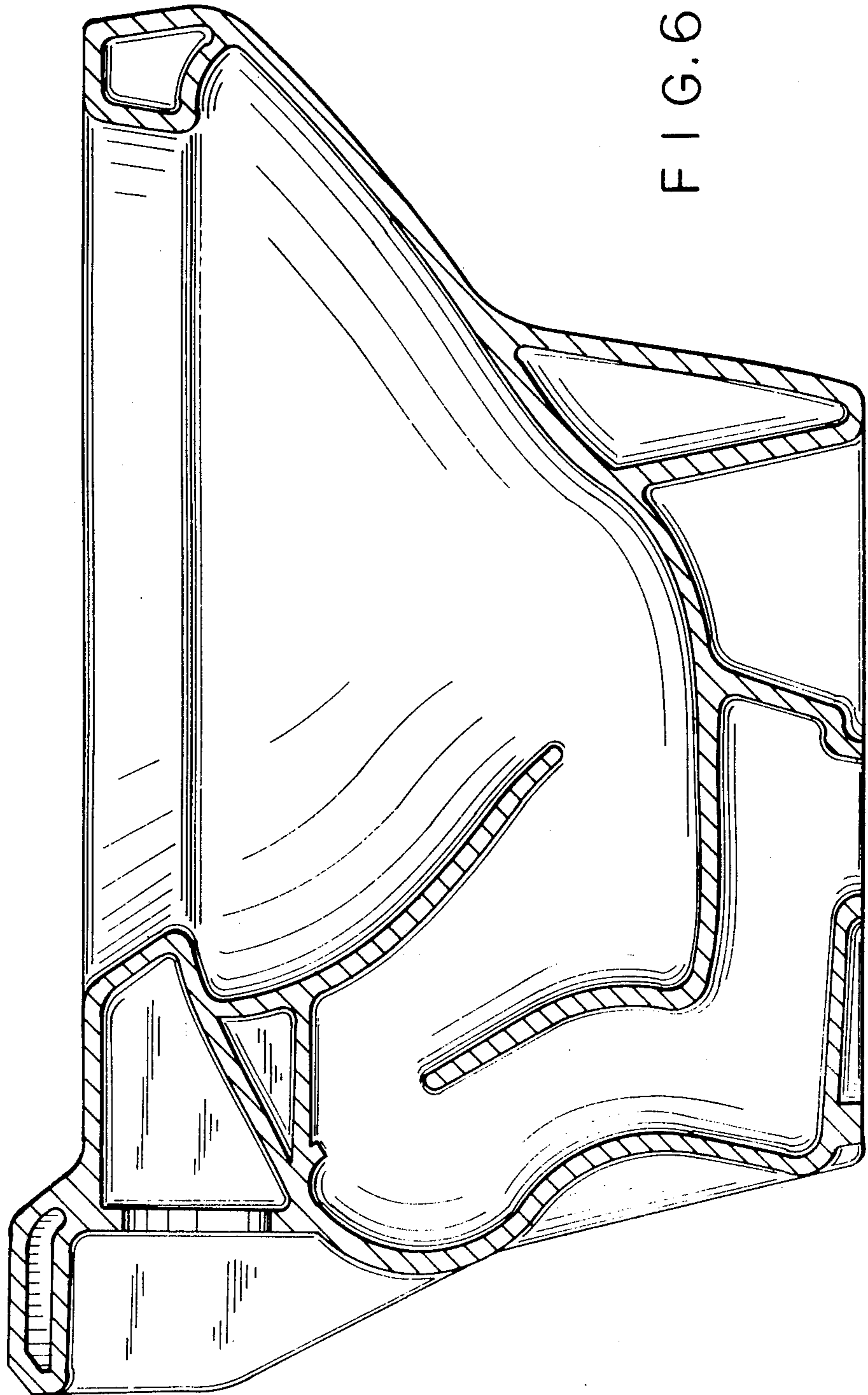


FIG. 6

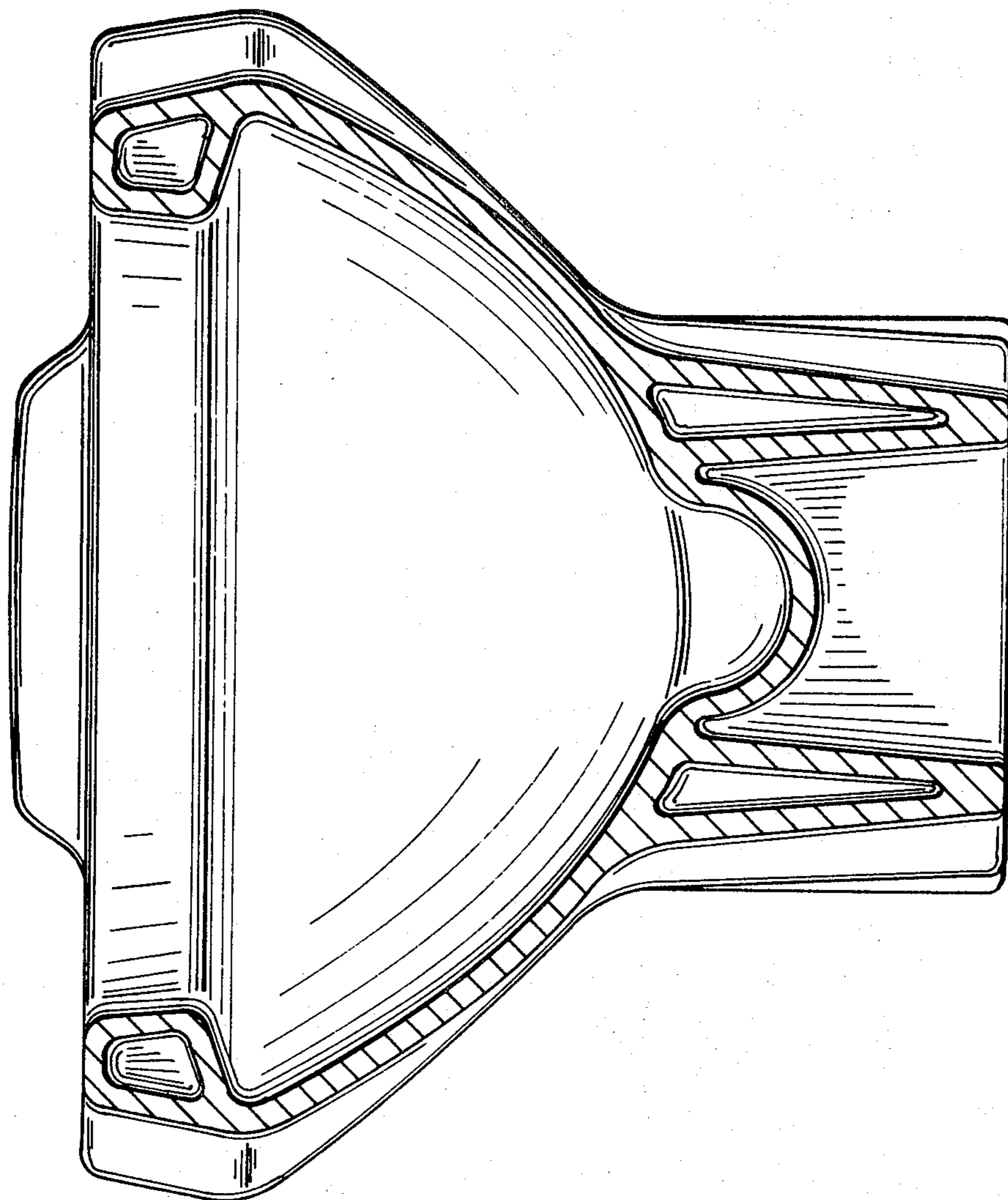


FIG. 7