

[54] COMBINATION LIQUID FLOW
CONDUCTING TRANSPARENT CANISTER
AND CROSS TUBE ASSEMBLY FOR LIQUID
FILTERS

3,891,555 6/1975 Bennett et al. 210/169
4,187,179 2/1980 Harms 210/243

[76] Inventor: Dennis E. J. Johnson, 1025 Garfield
Ave., Aurora, Ill. 60506

Primary Examiner—Wallace R. Burke
Assistant Examiner—Lynn Wilder
Attorney, Agent, or Firm—McWilliams, Mann, Zummer
and Sweeney

[**] Term: 14 Years

[57] CLAIM

[21] Appl. No.: 319,688

The ornamental design for combination liquid flow
conducting transparent canister and cross tube assembly
for liquid filters, substantially as shown.

[22] Filed: Nov. 9, 1981

[52] U.S. Cl. D23/4

DESCRIPTION

[58] Field of Search D23/4; 210/169, 243,
210/314, 416.2

FIG. 1 is a front perspective view of a combination
liquid flow conducting transparent canister and cross
tube assembly for liquid filters, showing my new design;
FIG. 2 is a front elevational view thereof;
FIG. 3 is a side elevational view thereof, as it would be
viewed from either side of FIG. 2;
FIG. 4 is a top plan view thereof; and
FIG. 5 is a bottom plan view thereof.

[56] References Cited

U.S. PATENT DOCUMENTS

- D. 236,265 8/1975 Dussardier D23/4
- D. 243,768 3/1977 Hinojosa D23/4
- D. 249,275 9/1978 Mackay et al. D23/4

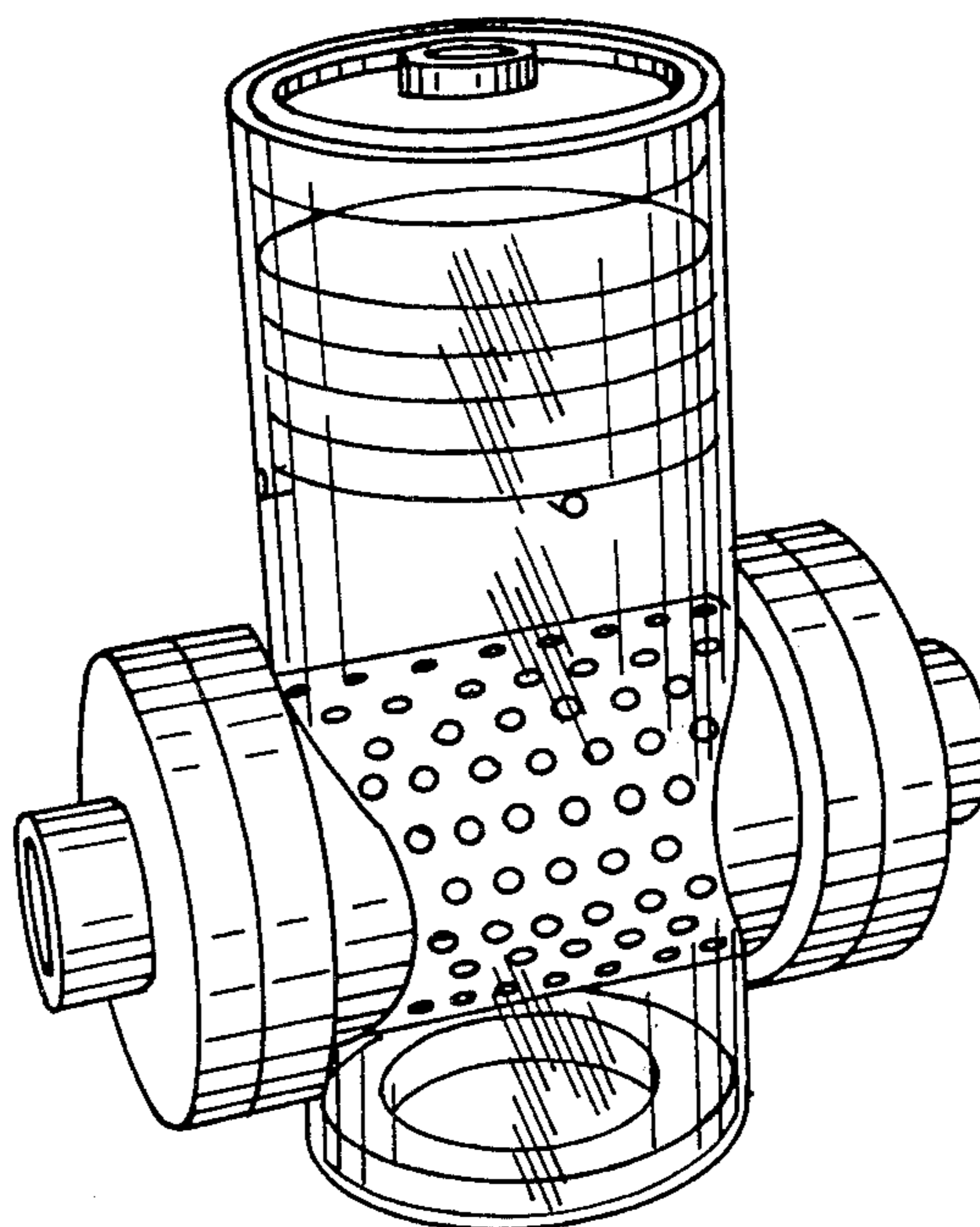


FIG. 1

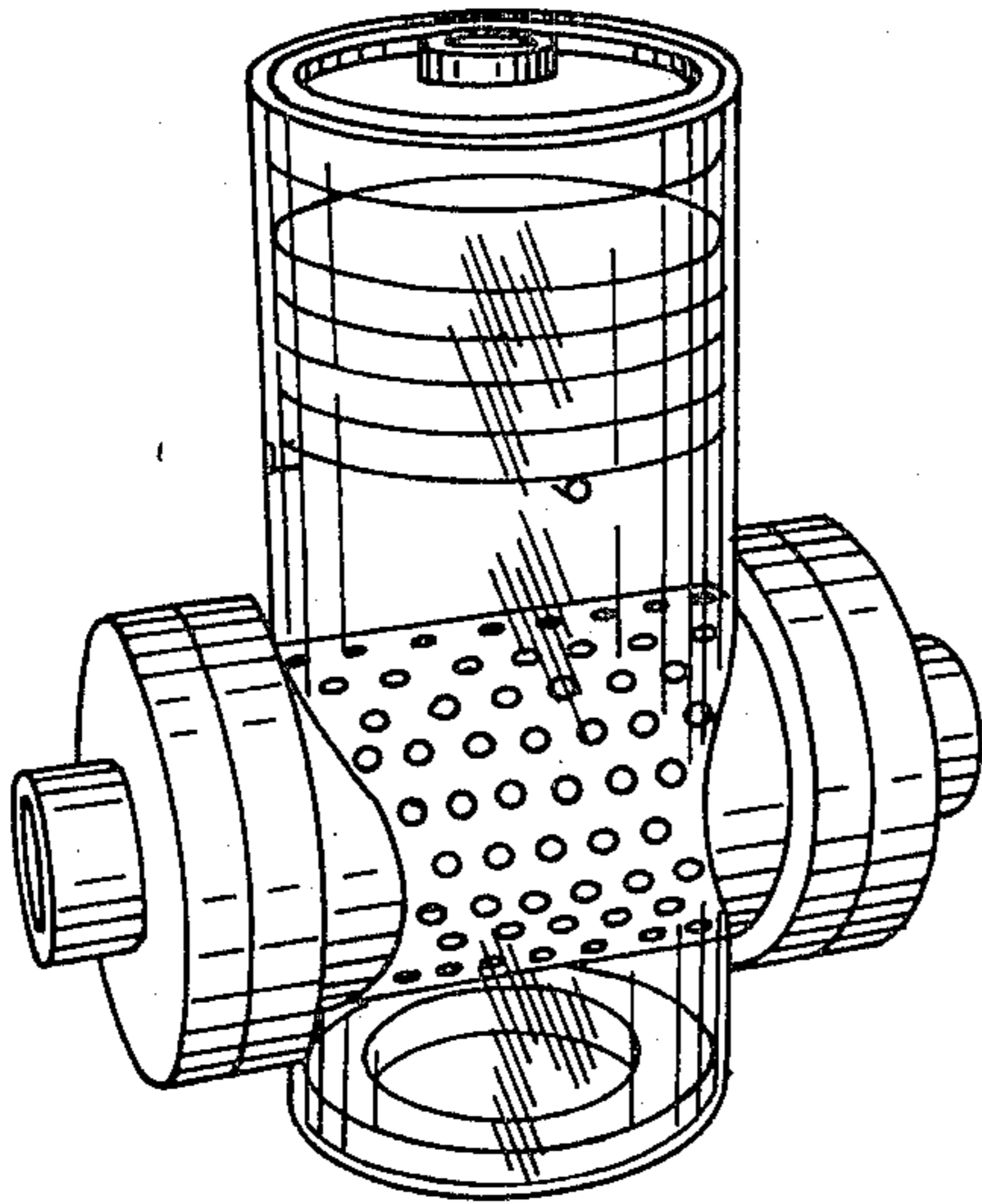


FIG. 2

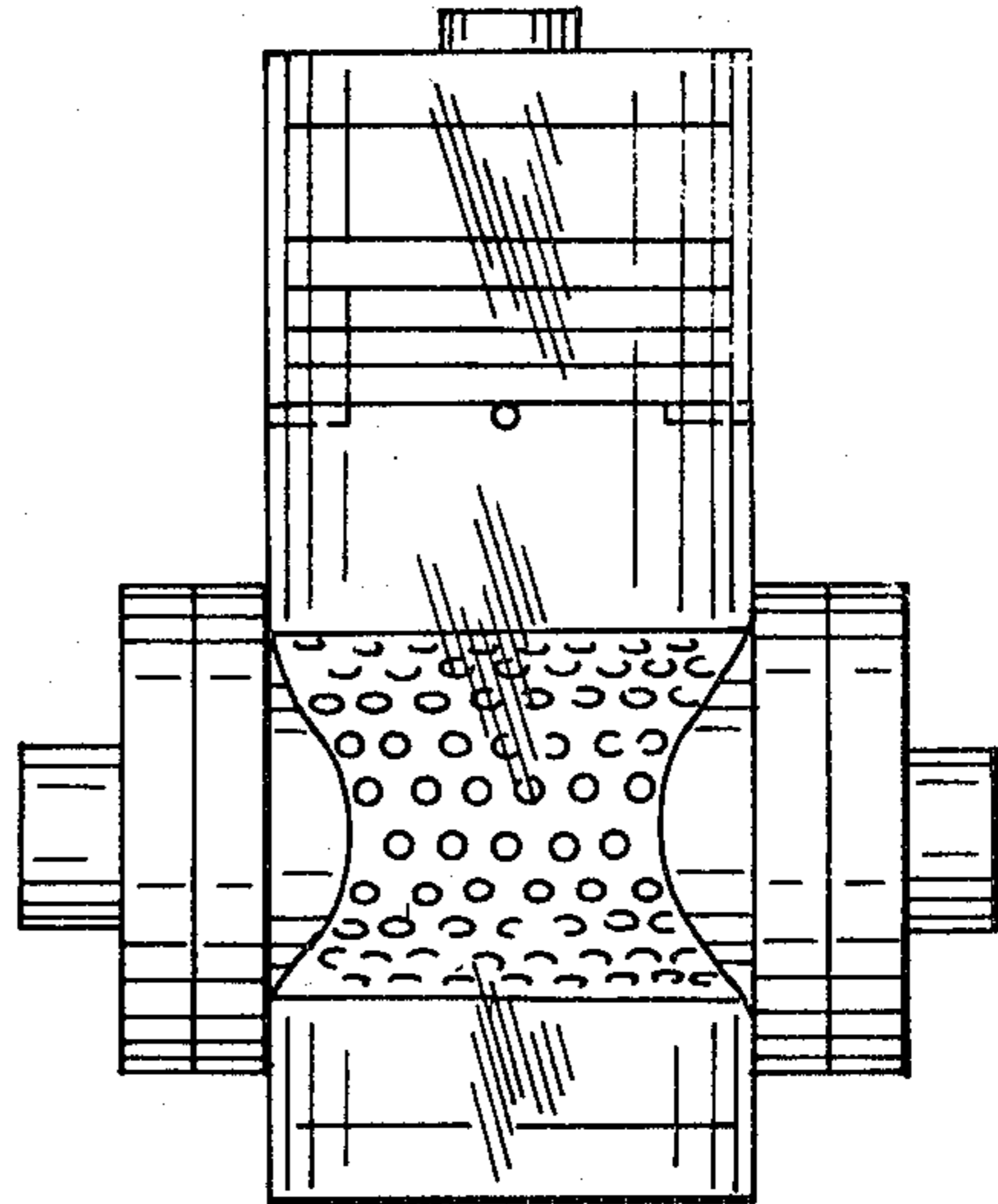


FIG. 3

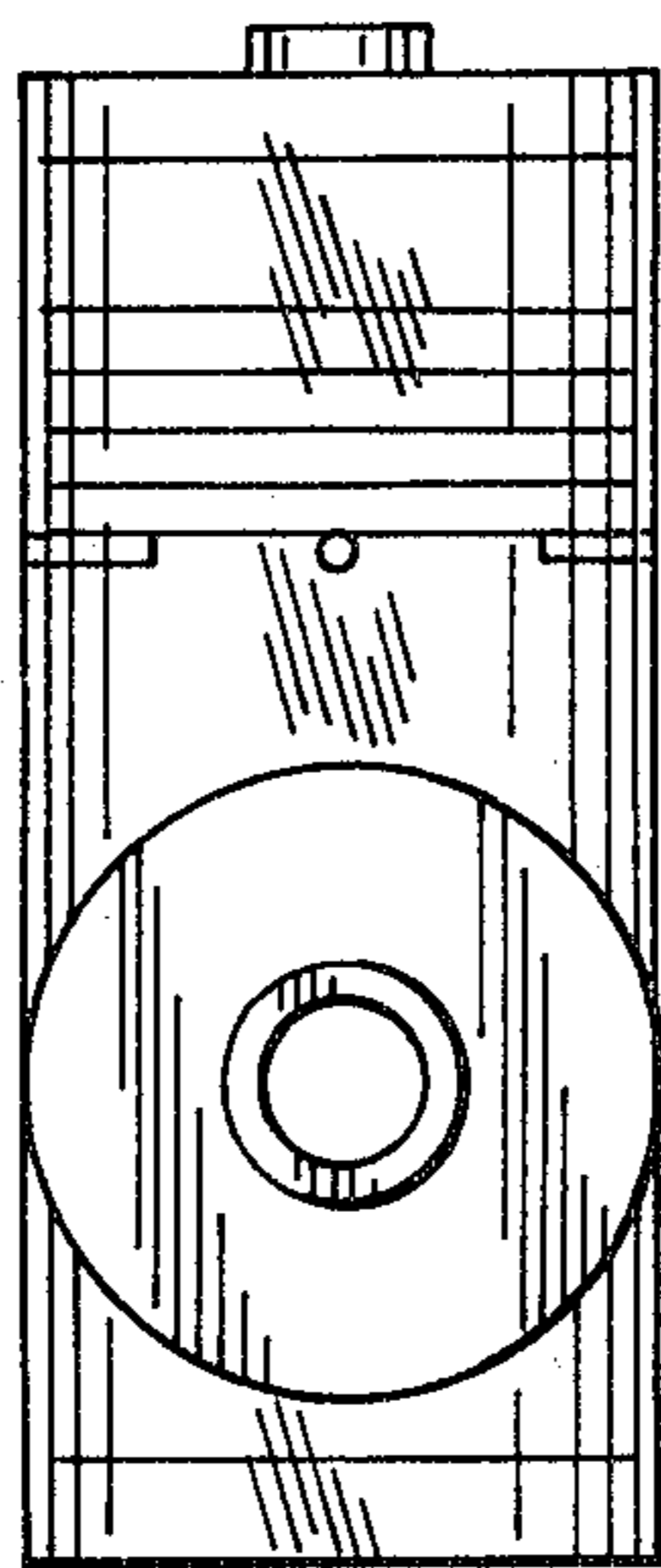


FIG. 4

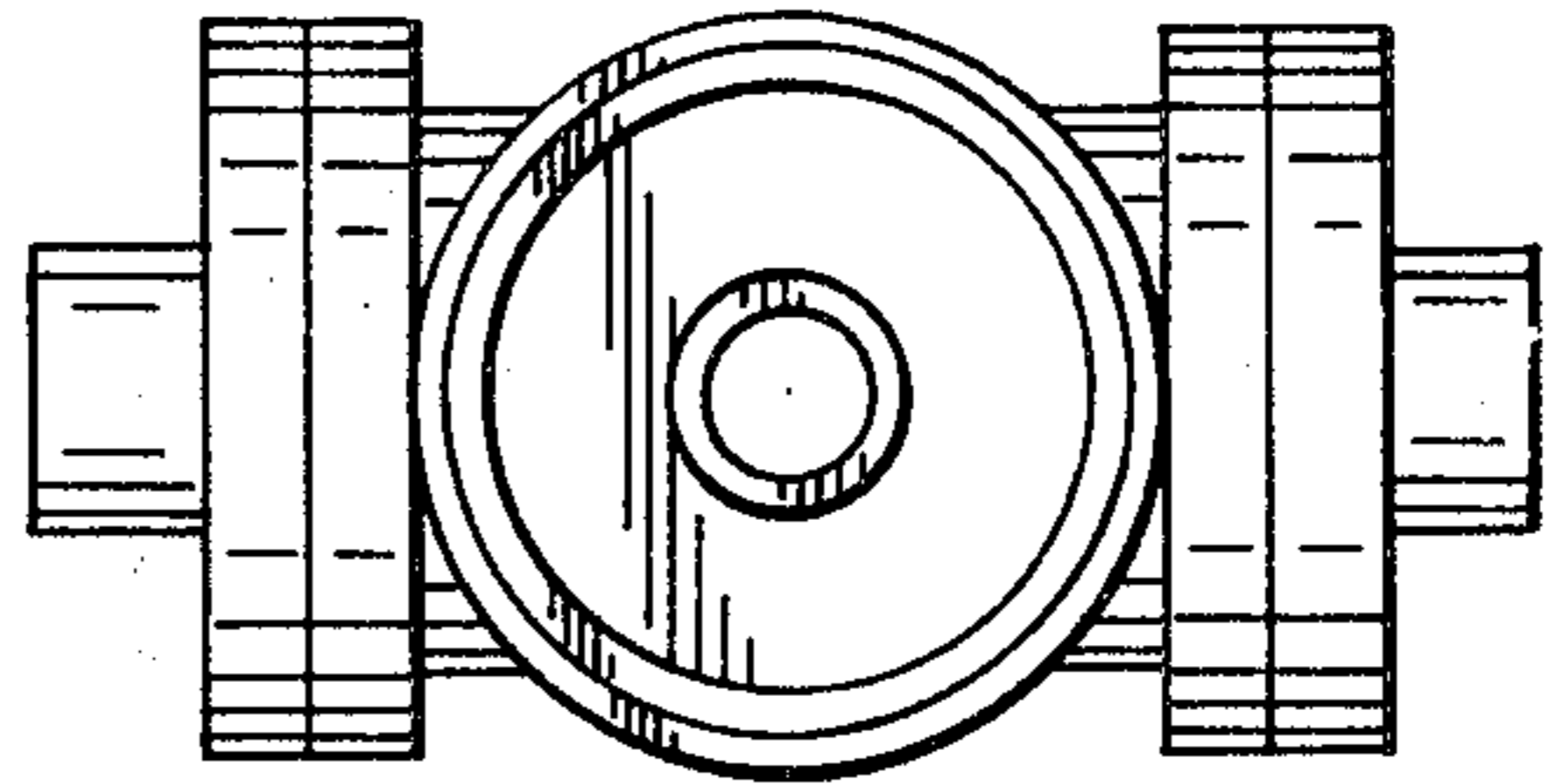


FIG. 5

