

[54] MOUSE TRAP

[76] Inventor: Dieter H. Nagel, 1747 Crystal La.,
Mount Prospect, Ill. 60056

[**] Term: 14 Years

[21] Appl. No.: 420,489

[22] Filed: Sep. 20, 1982

[52] U.S. Cl. D22/18

[58] Field of Search D22/18; 43/82, 81, 81.5,
43/77

[56] References Cited

U.S. PATENT DOCUMENTS

D. 260,801	9/1981	Adams	D22/18
1,796,503	3/1931	Bunker	43/82
2,616,211	11/1952	Johnson	43/81
4,360,986	11/1982	Dushey	D22/18 X

Primary Examiner—A. Hugo Word
Attorney, Agent, or Firm—Marshall, O'Toole, Gerstein,
Murray & Bicknell

[57] CLAIM

The ornamental design for a mousetrap, substantially as shown and described.

DESCRIPTION

FIG. 1 is a perspective view of a mousetrap showing my new design;

FIG. 2 is an elevational view of right side of the mousetrap as viewed in FIG. 1. The left side of the mousetrap is a mirror image of the right side;

FIG. 3 is an end elevational view of the left end of the mousetrap as viewed in FIG. 2;

FIG. 4 is an end elevational view of the right end of the mousetrap as viewed in FIG. 2;

FIG. 5 is a top plan view thereof; and

FIG. 6 is a bottom plan view thereof.

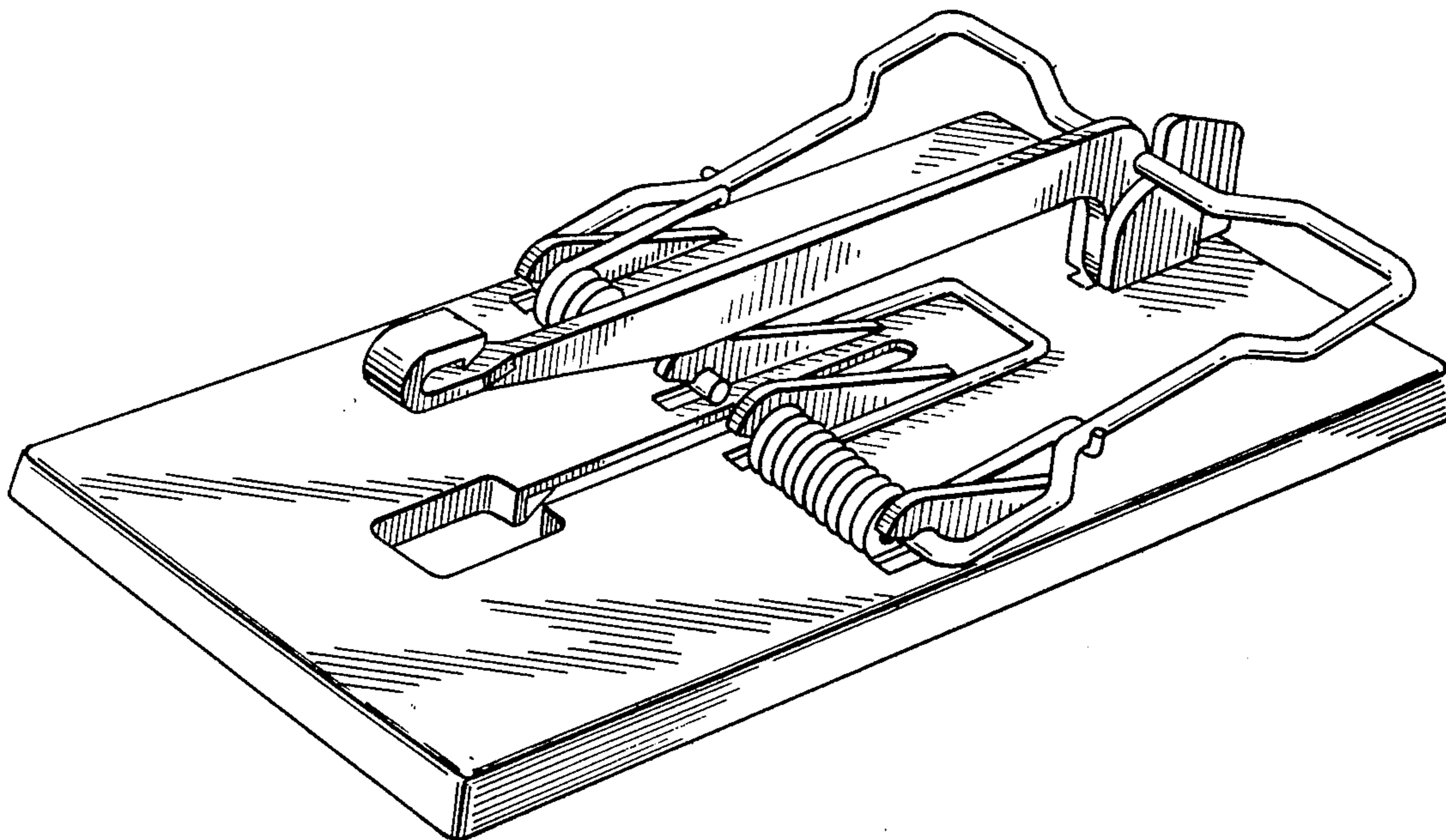


FIG. 1

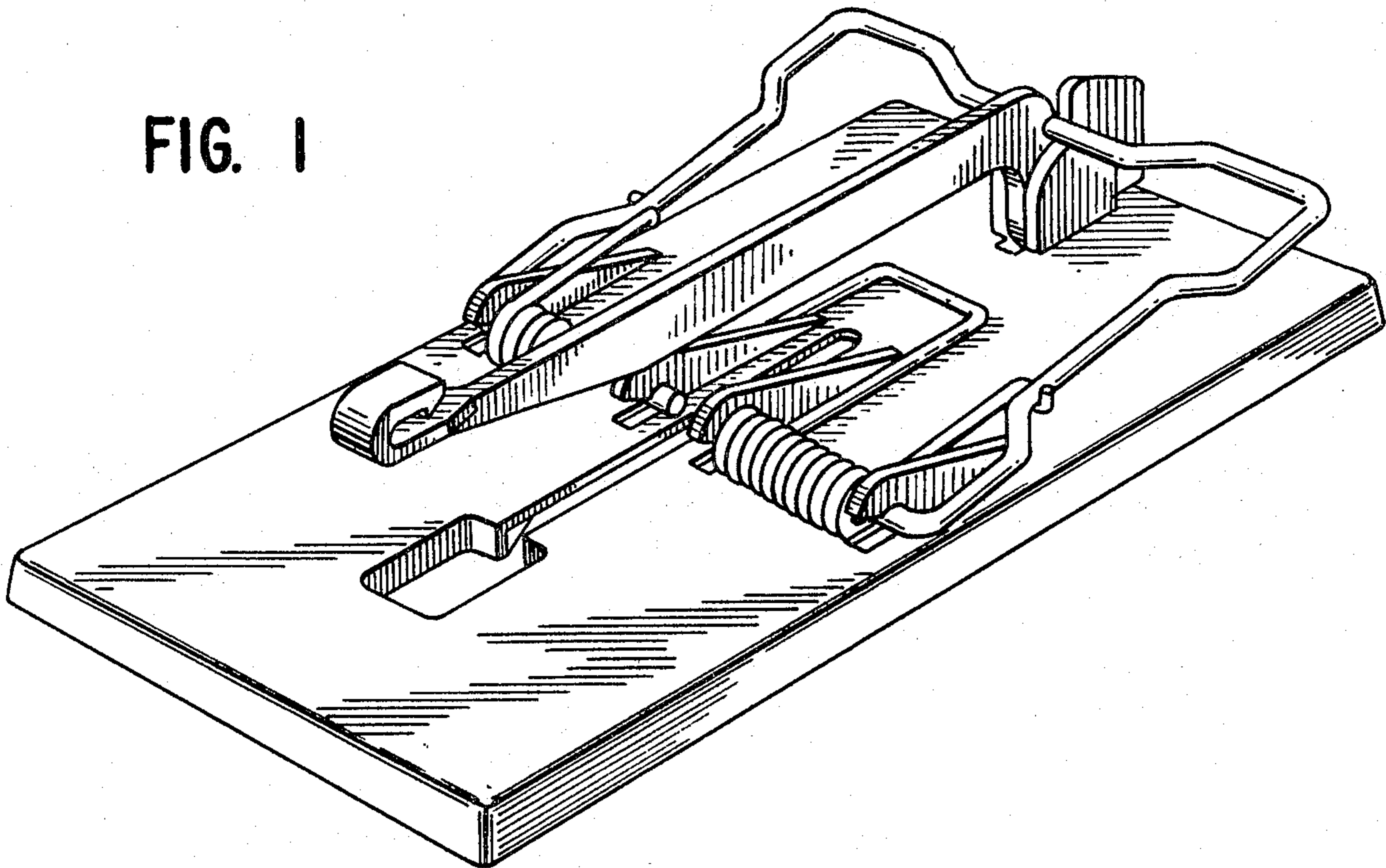


FIG. 2

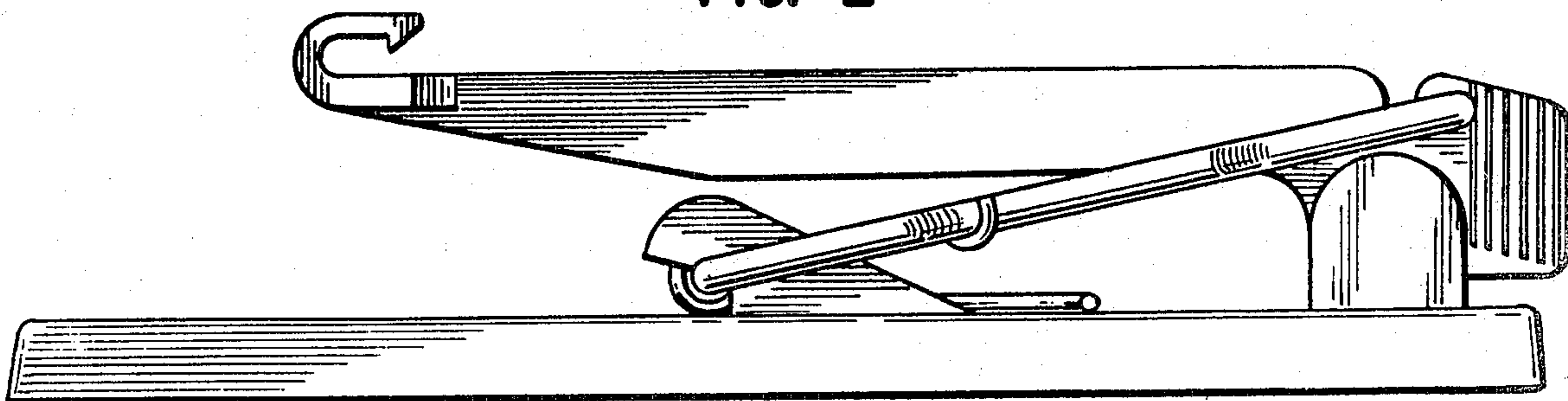


FIG. 3

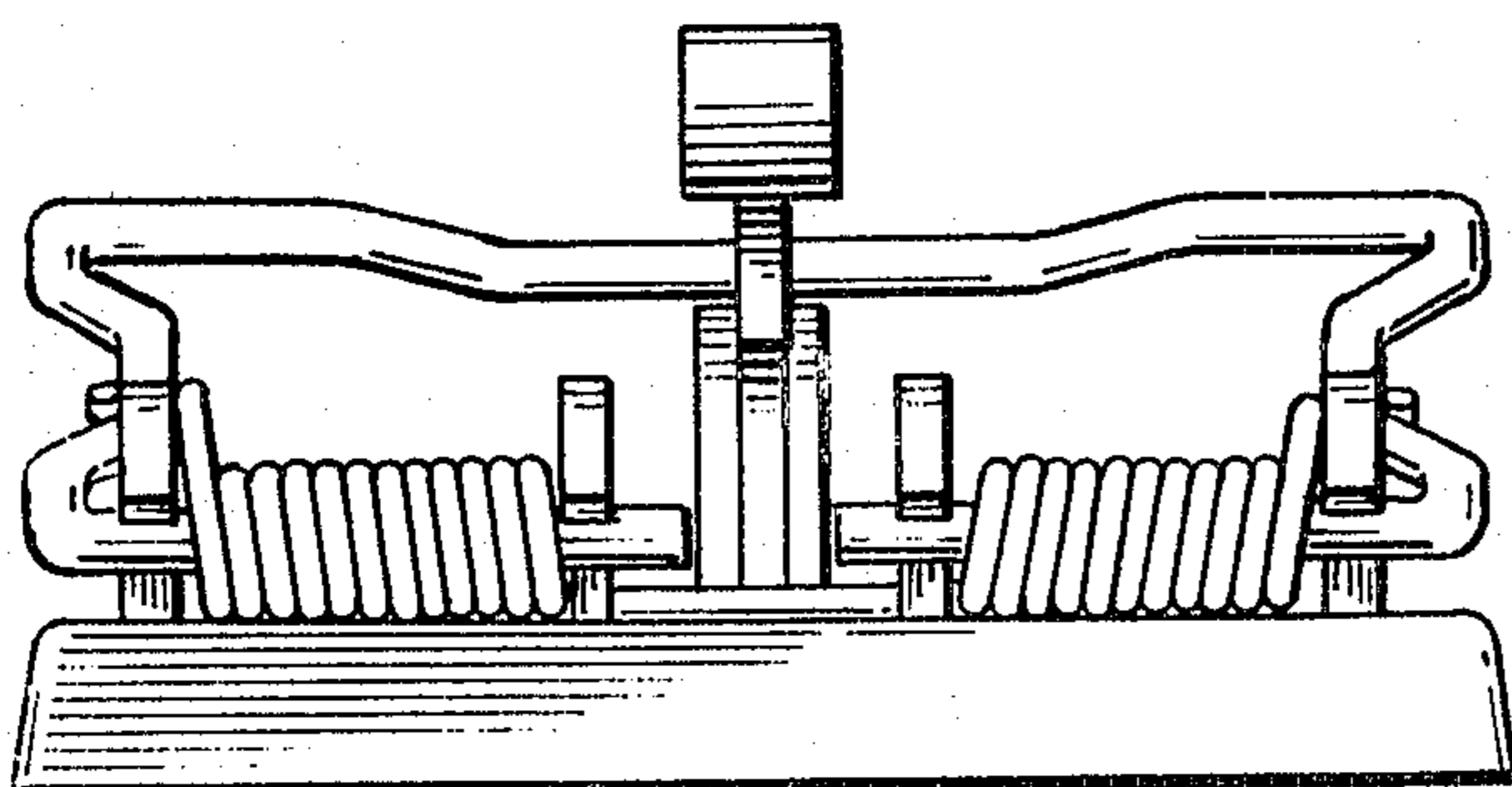


FIG. 4

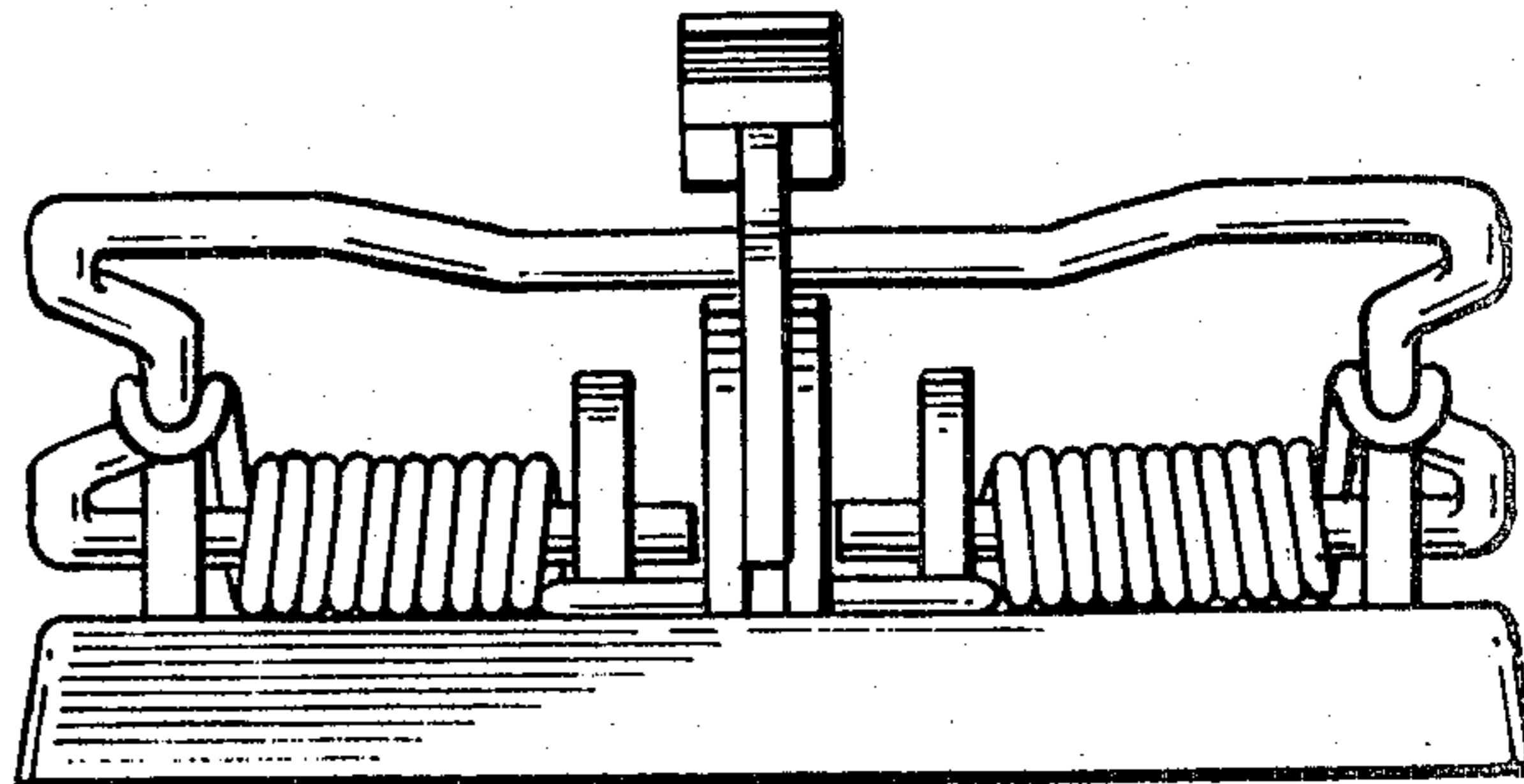


FIG. 5

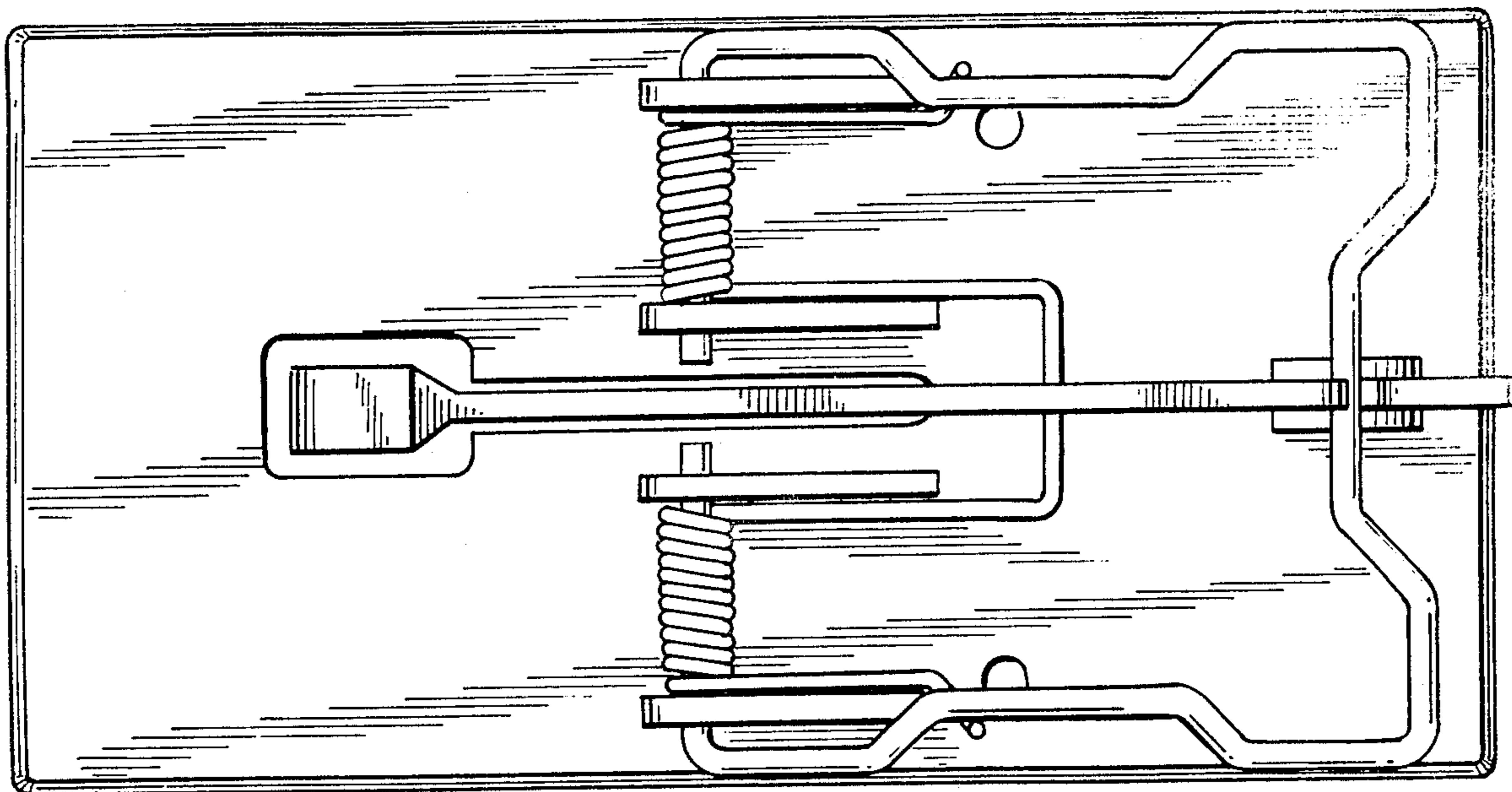


FIG. 6

