

[54] AIRPLANE SWING

[76] Inventor: Lewis D. Osterman, 1245 Norwood Ave., #42, Boulder, Colo. 80302

[\*\*] Term: 14 Years

[21] Appl. No.: 385,192

[22] Filed: Jun. 4, 1982

[52] U.S. Cl. .... D21/246

[58] Field of Search ..... D21/246, 77; D6/11, D6/12; 272/85-92

[56] References Cited

U.S. PATENT DOCUMENTS

- D. 54,768 3/1920 Pratt et al. .... D21/77
- D. 253,413 7/1979 Knight et al. .... D21/246
- D. 254,816 4/1980 Sloan ..... D21/77

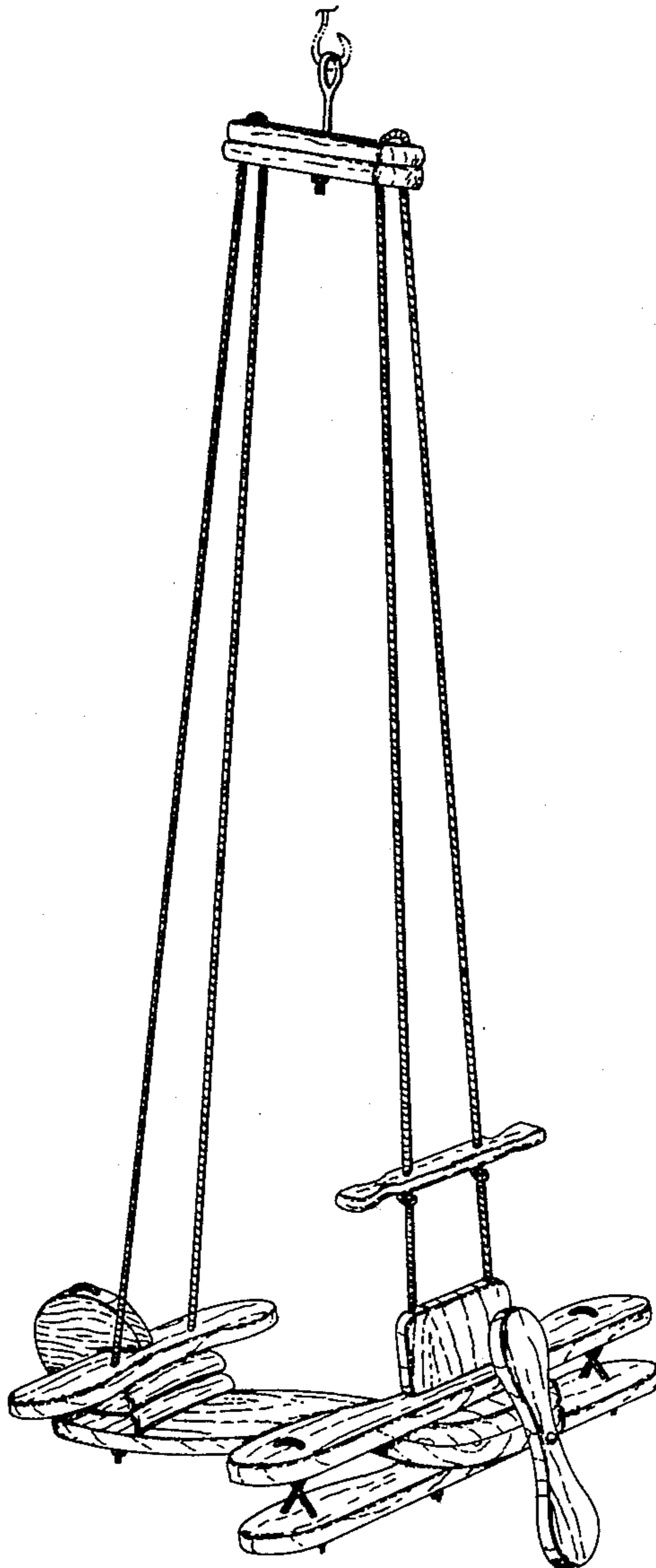
Primary Examiner—Melvin B. Feifer  
Attorney, Agent, or Firm—O'Rourke & Harris

[57] CLAIM

The ornamental design for an airplane swing, as shown and described.

DESCRIPTION

FIG. 1 is a perspective view of an airplane swing, showing my new design;  
 FIG. 2 is a top plan view thereof;  
 FIG. 3 is a front elevation view thereof;  
 FIG. 4 is a rear elevation view thereof;  
 FIG. 5 is a left side elevation view thereof; and  
 FIG. 6 is a bottom plan view thereof.  
 For convenience of illustration, FIGS. 2 through 6 are shown with the upper portion omitted.



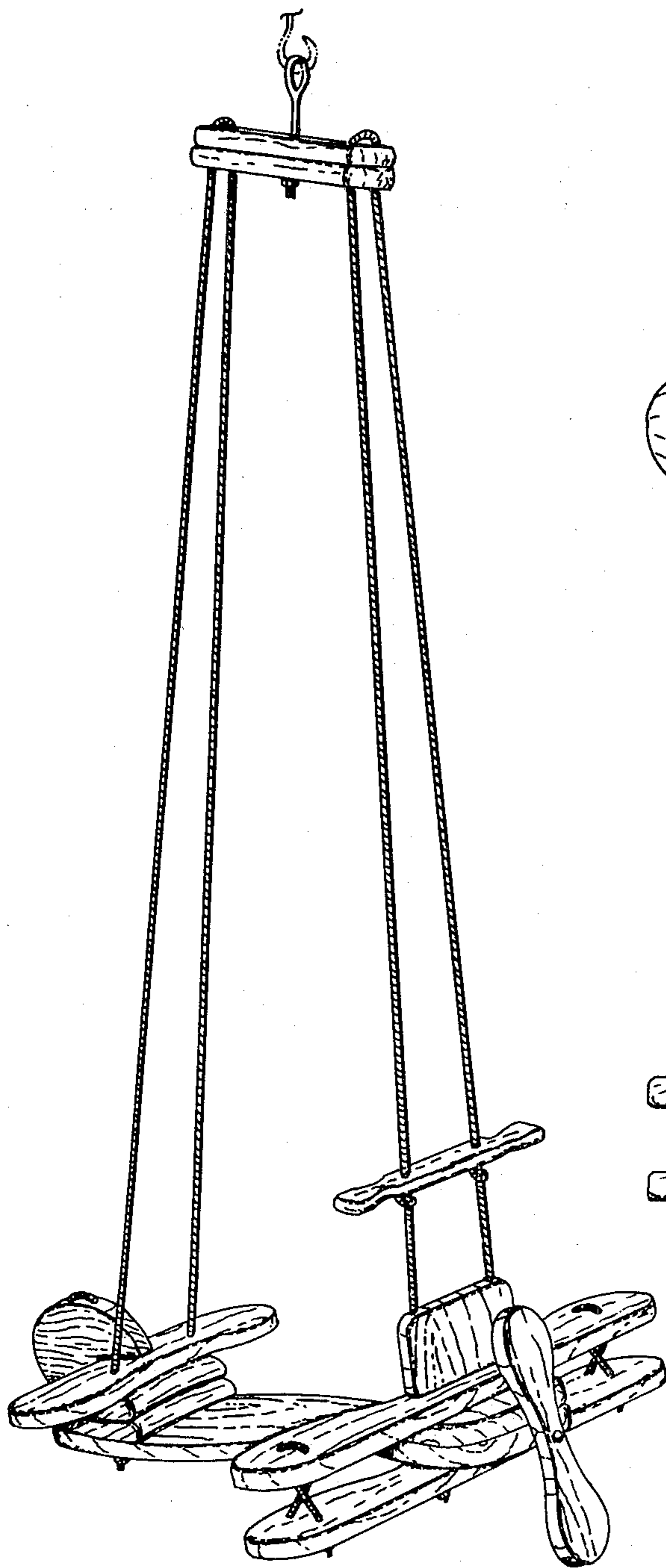


Fig. 1

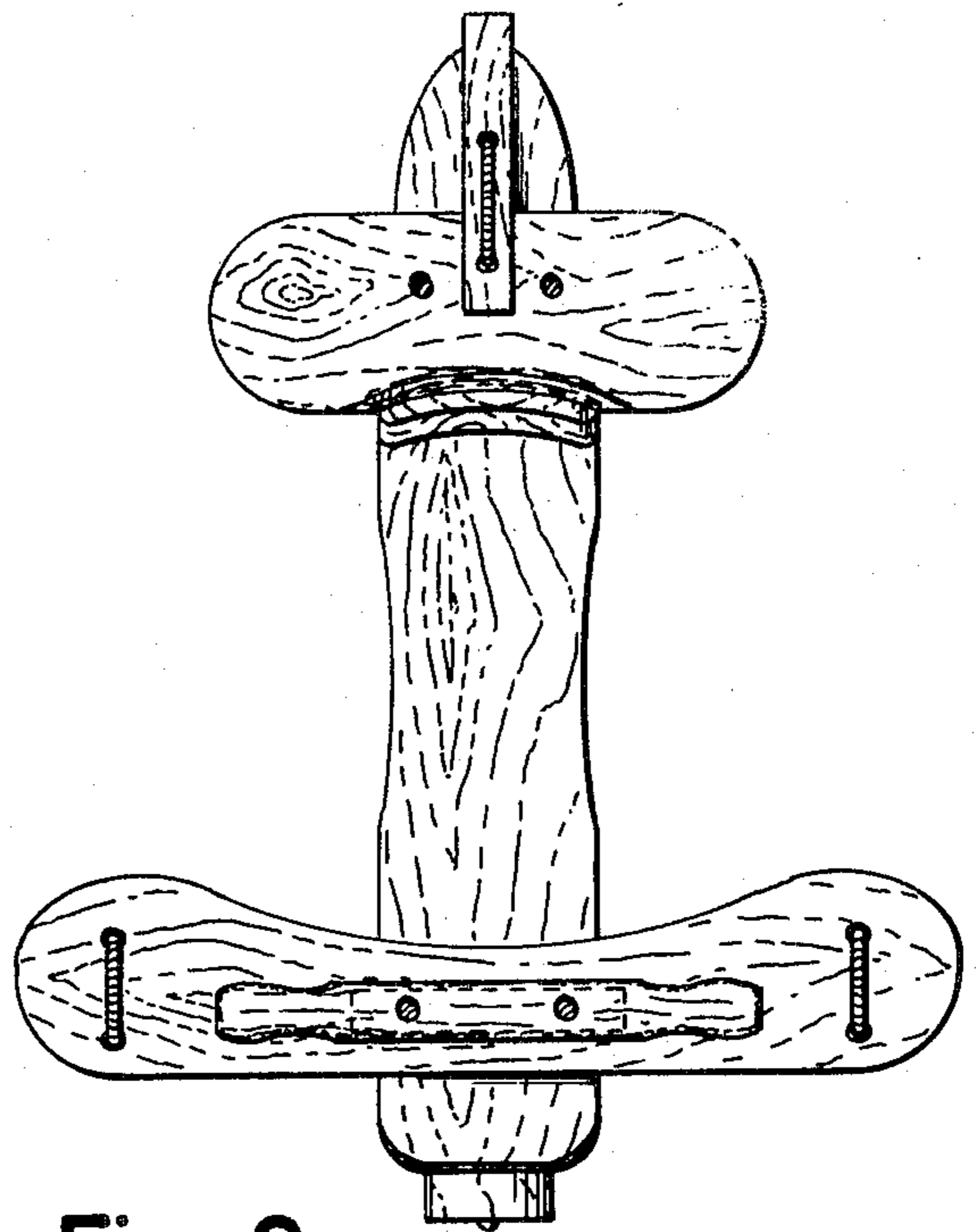


Fig. 2

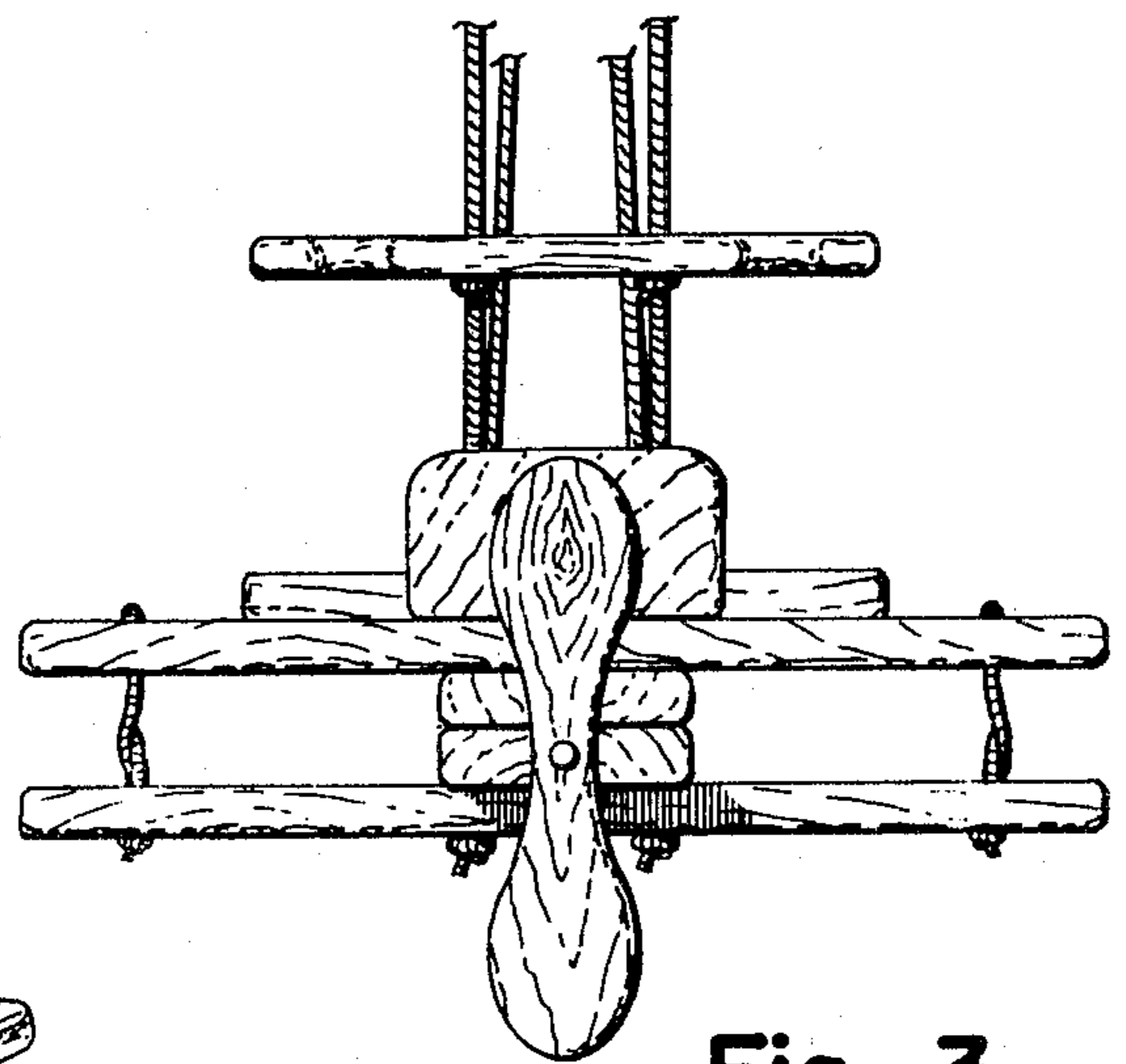


Fig. 3

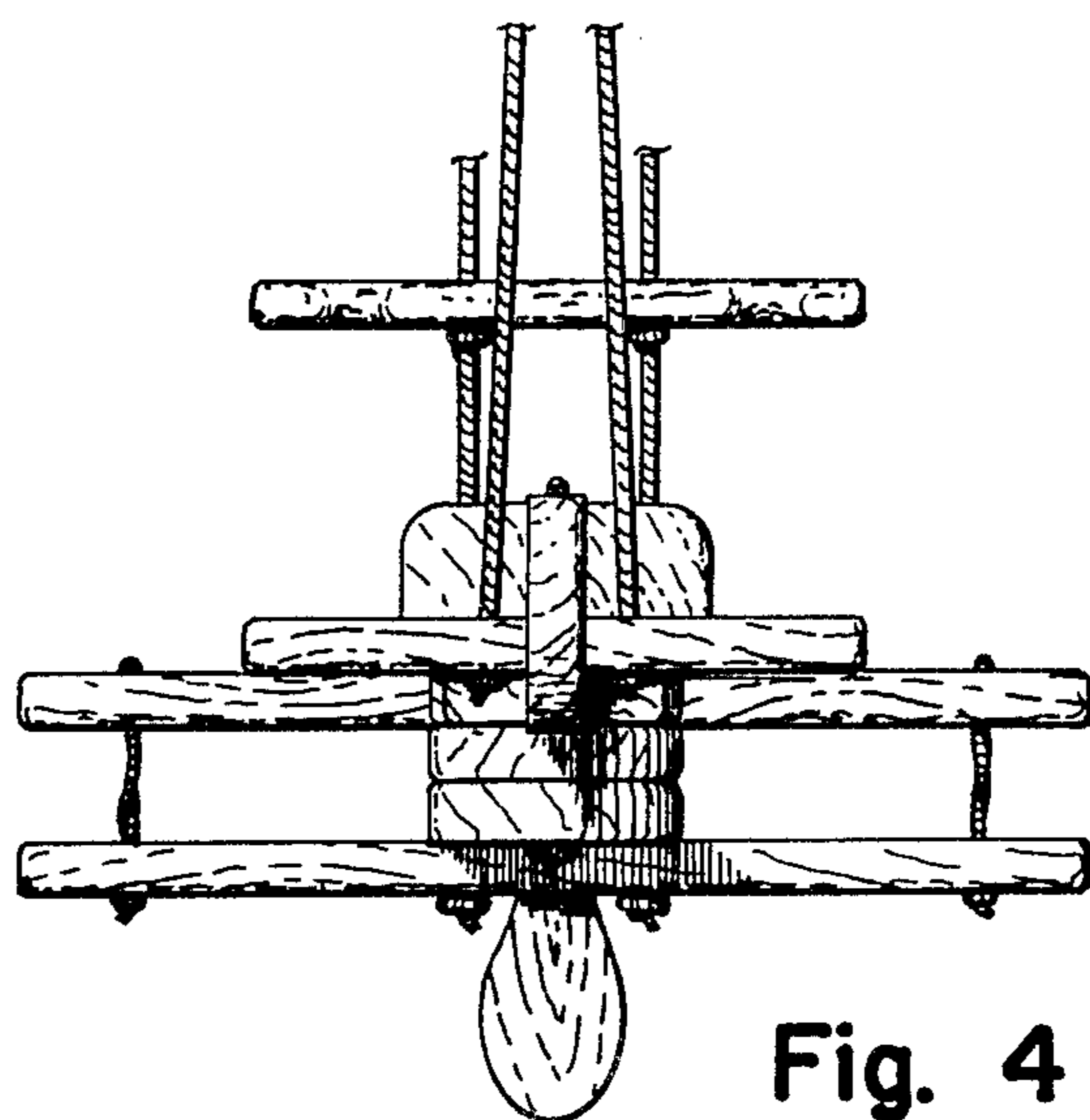


Fig. 4

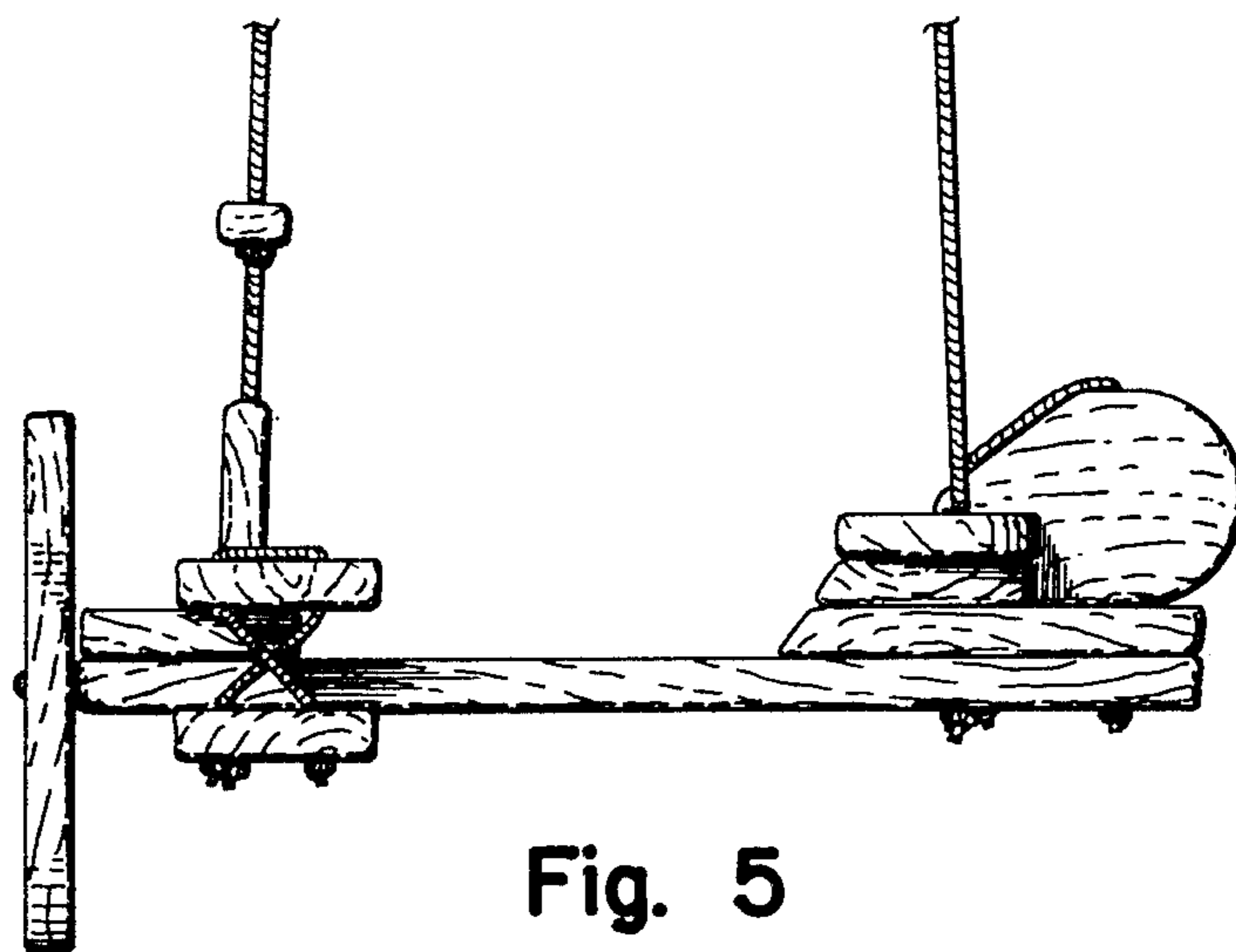


Fig. 5

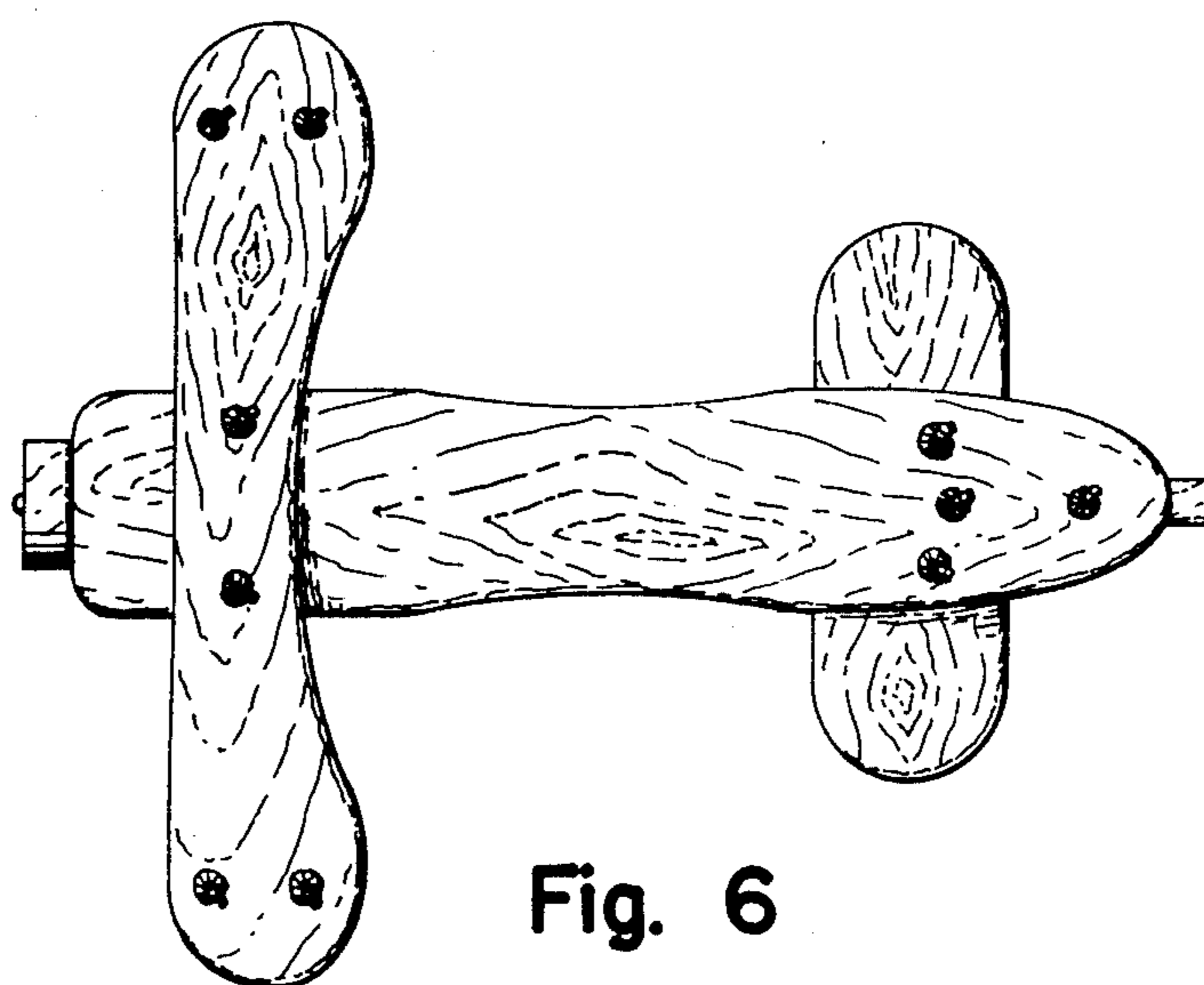


Fig. 6