

[54] **INK RIBBON CARTRIDGE**

[75] **Inventor: Hiroyuki Akazawa, Shiojiri, Japan**

[73] **Assignees: Epson Corporation, Nagano;
Kabushiki Kaisha Suwa Seikosha,
Tokyo, both of Japan**

[**] **Term: 14 Years**

[21] **Appl. No.: 361,662**

[22] **Filed: Mar. 25, 1982**

[52] **U.S. Cl. D18/12; D18/22**

[58] **Field of Search D18/12, 13, 22, 99;
D14/11; 400/196, 196.1, 207, 208, 208.1**

[56] **References Cited**

U.S. PATENT DOCUMENTS

- D. 264,601 5/1982 Flacelière D18/12
- D. 266,256 9/1982 Grey D18/12
- D. 267,567 1/1983 Mori D18/12 X

FOREIGN PATENT DOCUMENTS

57-27778 2/1982 Japan 400/207

OTHER PUBLICATIONS

IBM Technical Disclosure Bulletin, vol. 18, No. 11, 4/1976, p. 3538.

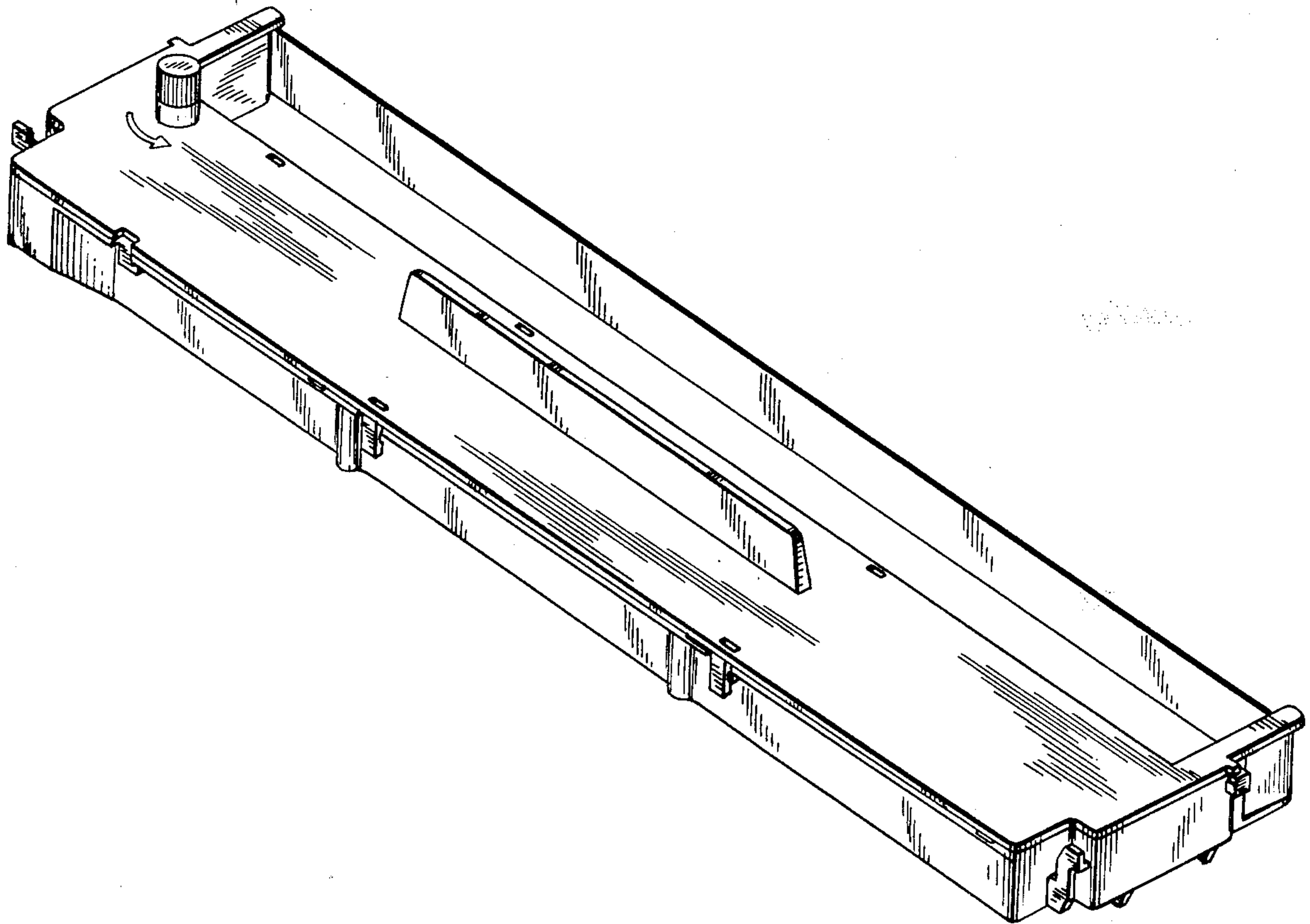
Primary Examiner—Louis S. Zarfes
Attorney, Agent, or Firm—Blum, Kaplan, Friedman, Silberman & Beran

[57] **CLAIM**

The ornamental design for an ink ribbon cartridge, as shown.

DESCRIPTION

FIG. 1 is a perspective view of an ink ribbon cartridge showing my new design;
FIG. 2 is a front elevational view thereof;
FIG. 3 is a top plan view thereof;
FIG. 4 is a right side view thereof;
FIG. 5 is a left side view thereof;
FIG. 6 is a rear elevational view thereof; and
FIG. 7 is a bottom plan view thereof.



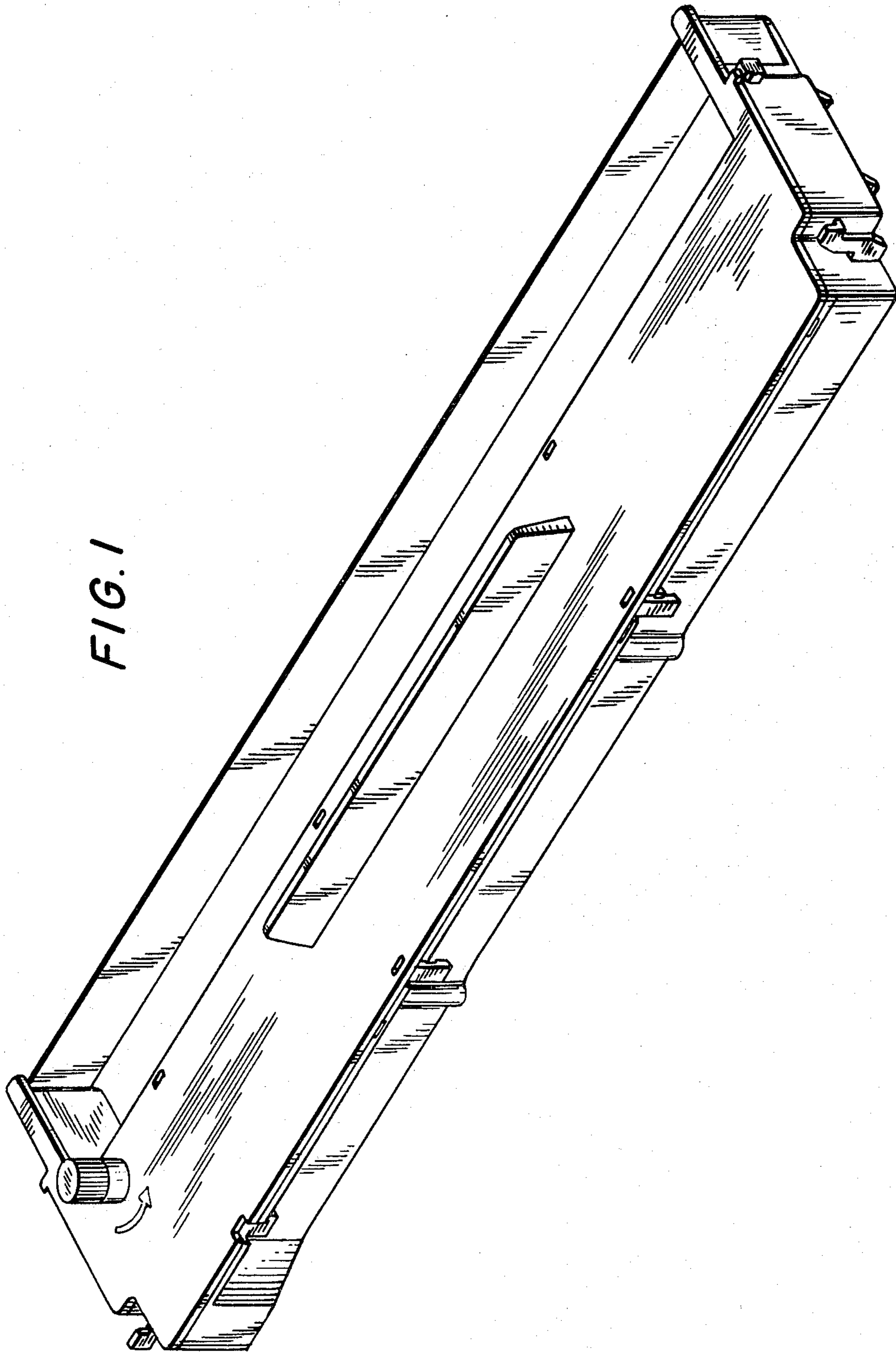


FIG. 1

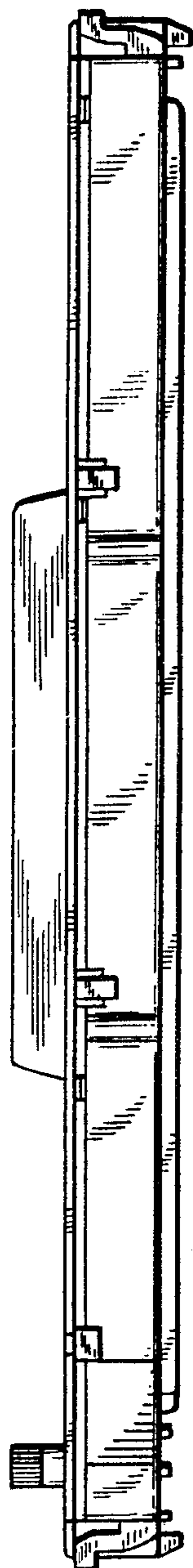


FIG. 2

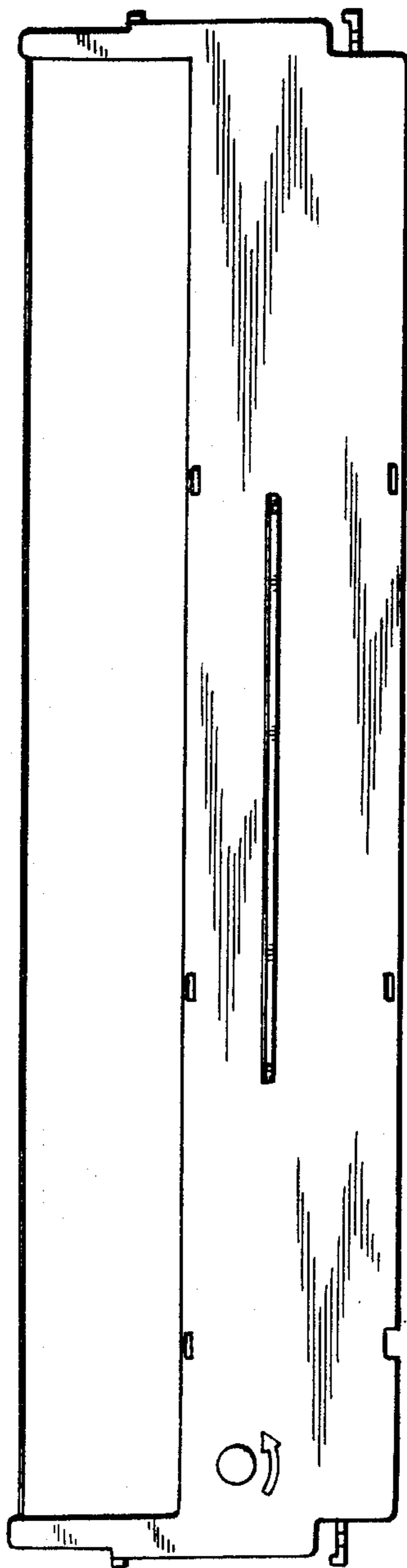


FIG. 3

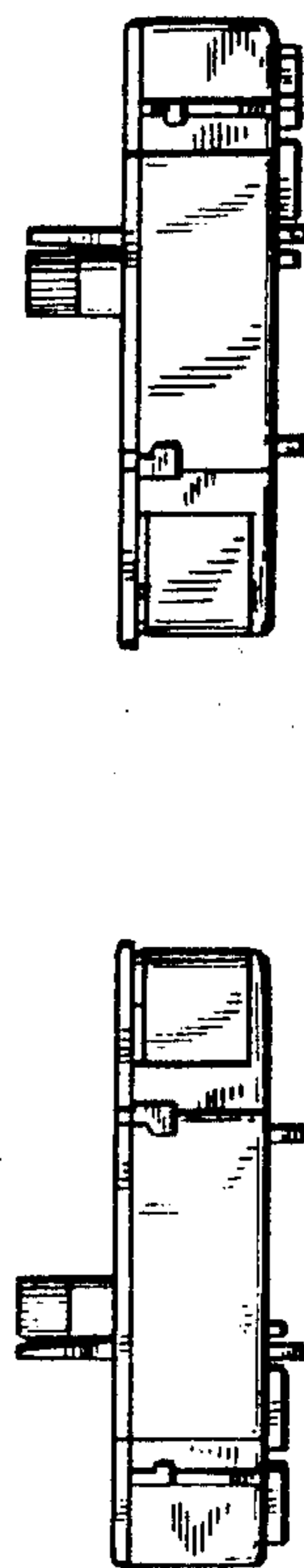


FIG. 4

FIG. 5

FIG. 6

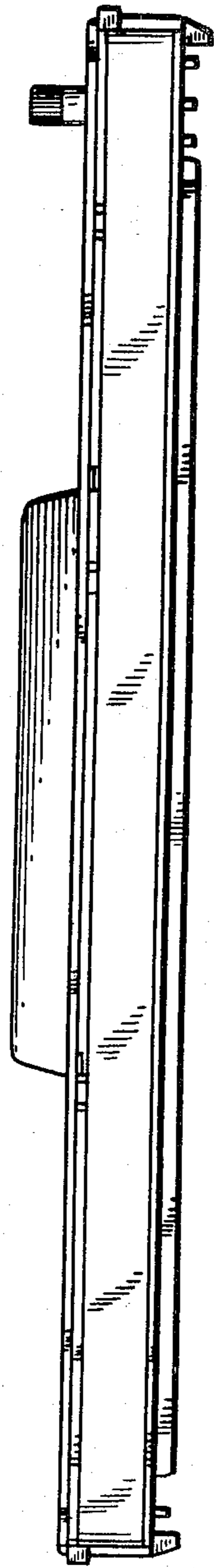


FIG. 7

