

[54] **OPTICAL ENHANCEMENT BACKMOUNT FOR A TELESCOPE**

[75] **Inventor: Charles R. Condon, Boulder, Colo.**

[73] **Assignee: Thomas Galey, Boulder, Colo.**

[**] **Term: 14 Years**

[21] **Appl. No.: 497,045**

[22] **Filed: May 23, 1983**

[52] **U.S. Cl. D16/132**

[58] **Field of Search D16/132; 350/537, 538**

[56] **References Cited**

U.S. PATENT DOCUMENTS

1,728,993	9/1929	Gerdes	350/537
3,737,667	6/1973	Babb et al.	350/538
4,383,741	5/1983	Vogl et al.	350/538

FOREIGN PATENT DOCUMENTS

859986 8/1981 U.S.S.R. 350/537

Primary Examiner—Wallace R. Burke
Assistant Examiner—Horace B. Fay
Attorney, Agent, or Firm—O'Rourke & Harris

[57] **CLAIM**

The ornamental design for an optical enhancement backmount for a telescope, as shown.

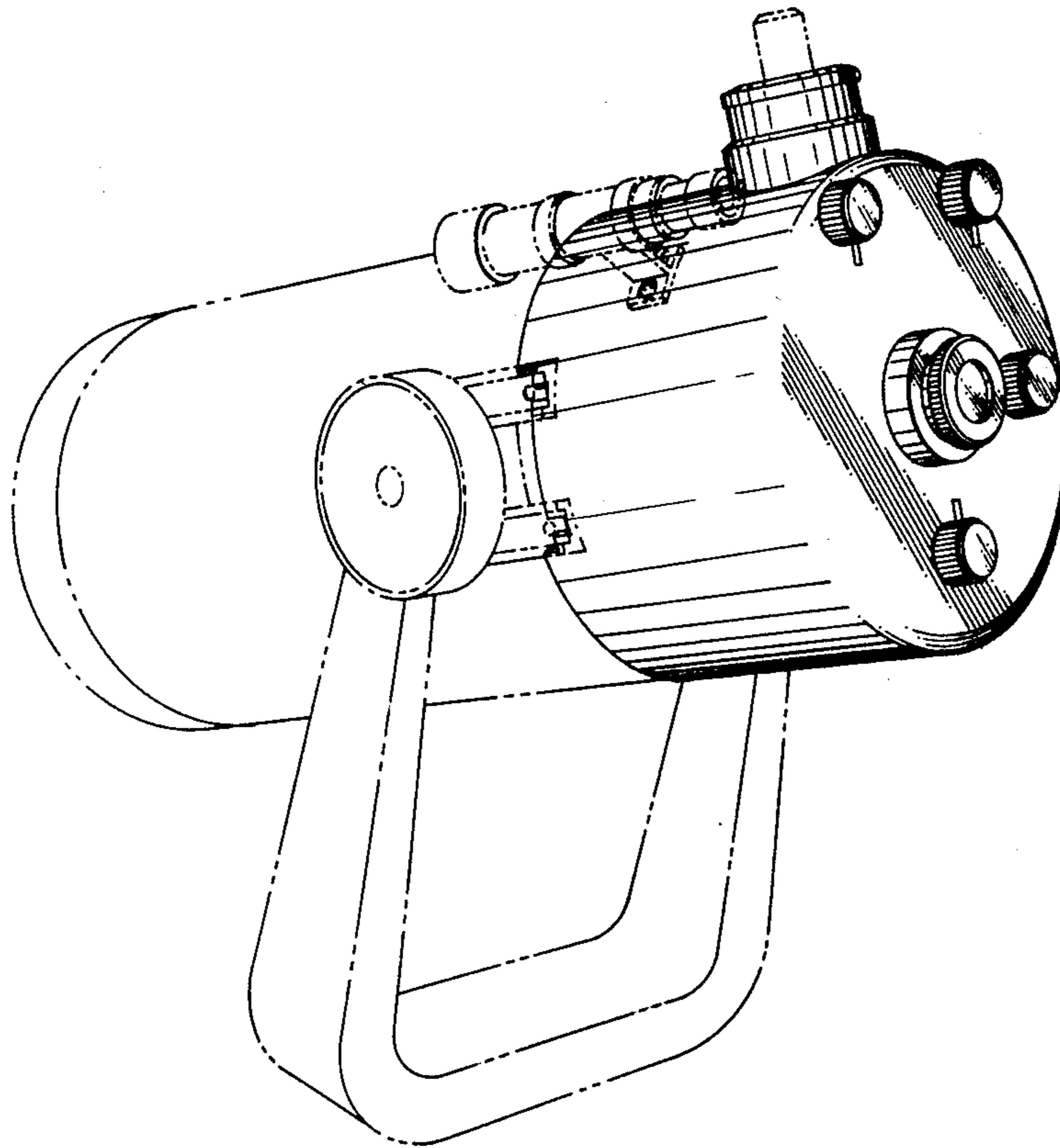
DESCRIPTION

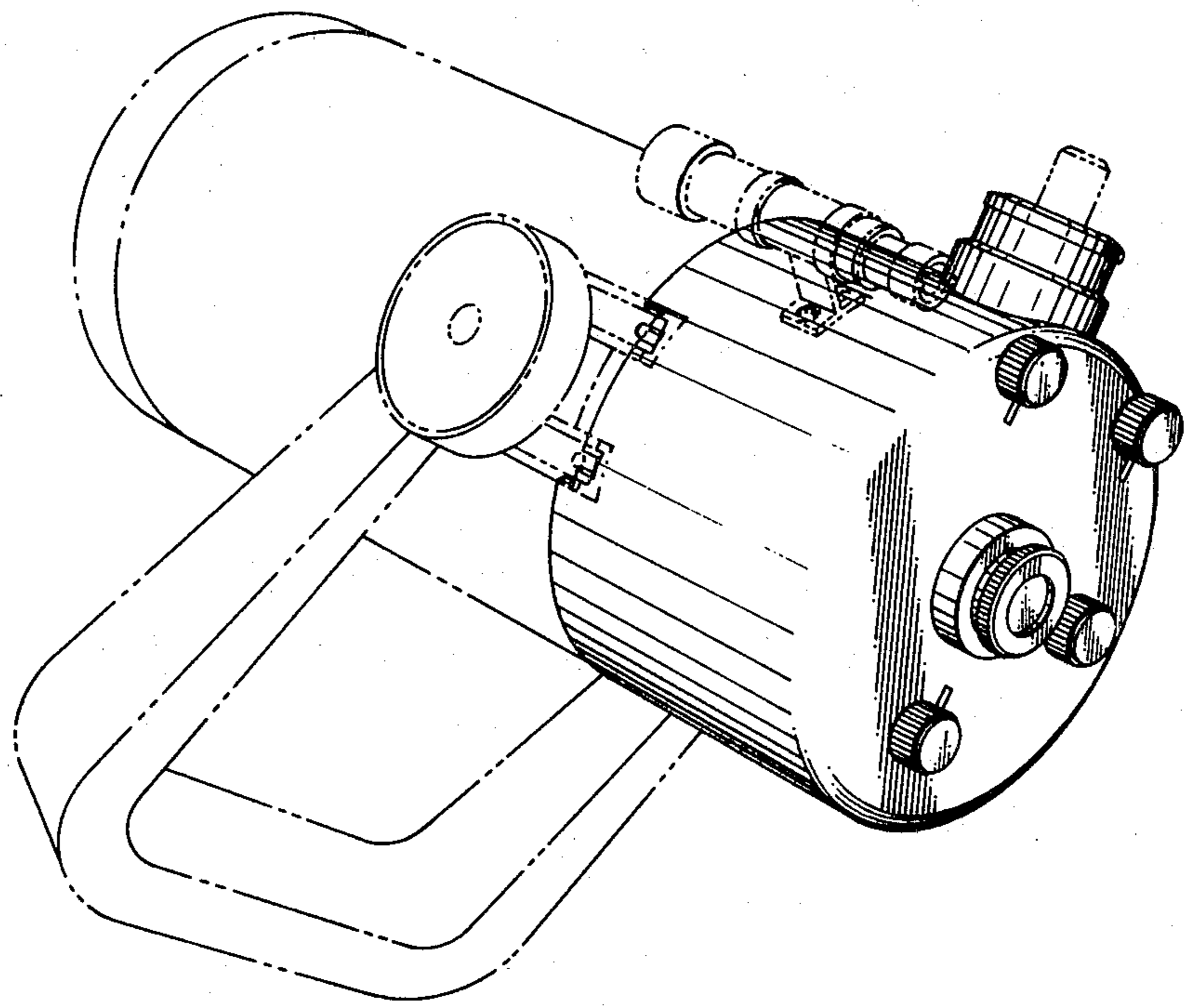
FIG. 1 is a front and side perspective view of an optical enhancement backmount for a telescope showing my new design, with the telescope and pivotable support unit being shown in broken line figures to illustrate the environment relationship of the backmount with a telescope;

FIG. 2 is a side elevational view thereof;

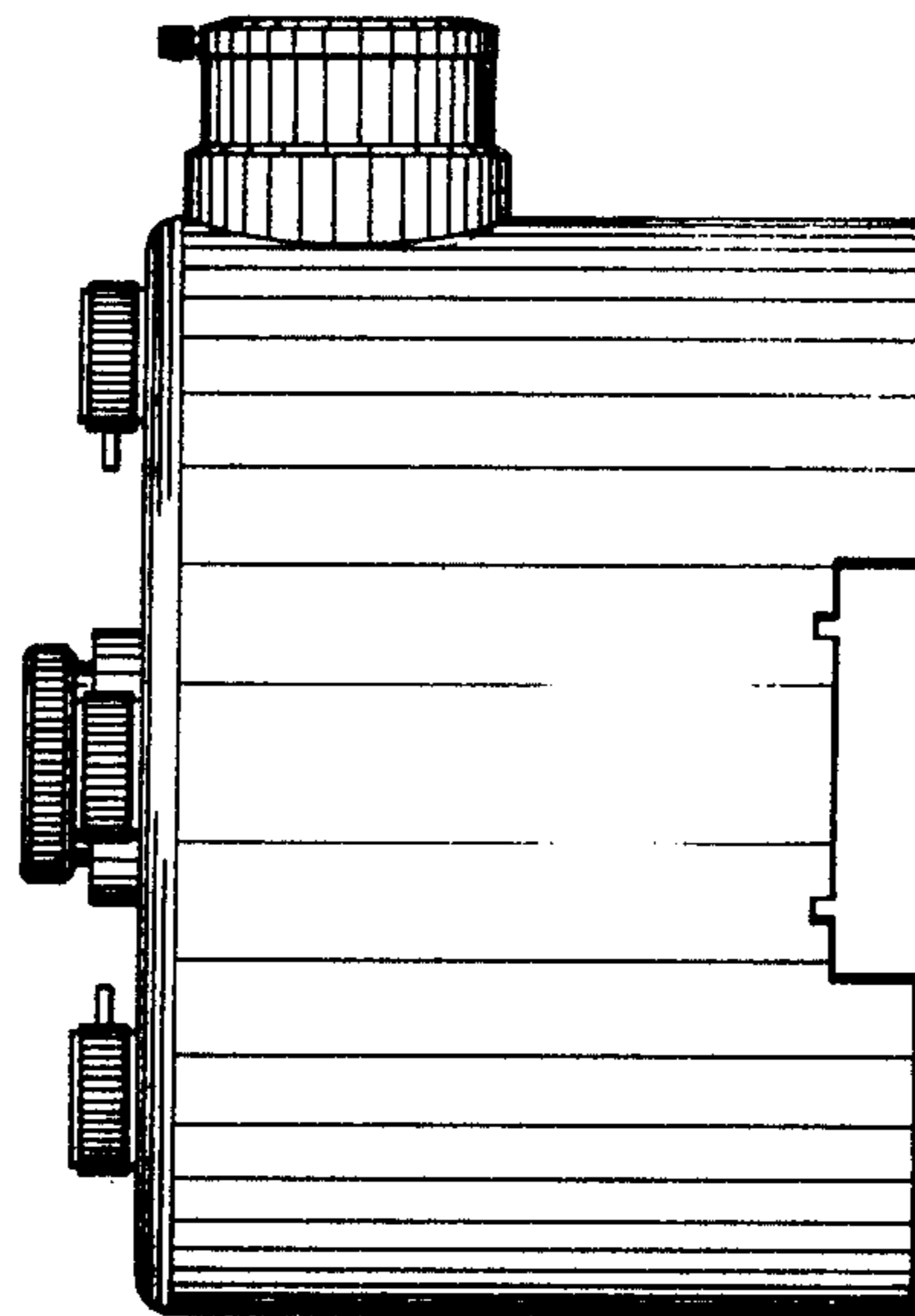
FIG. 3 is a rear elevational view thereof; and

FIG. 4 is a top plan view thereof.

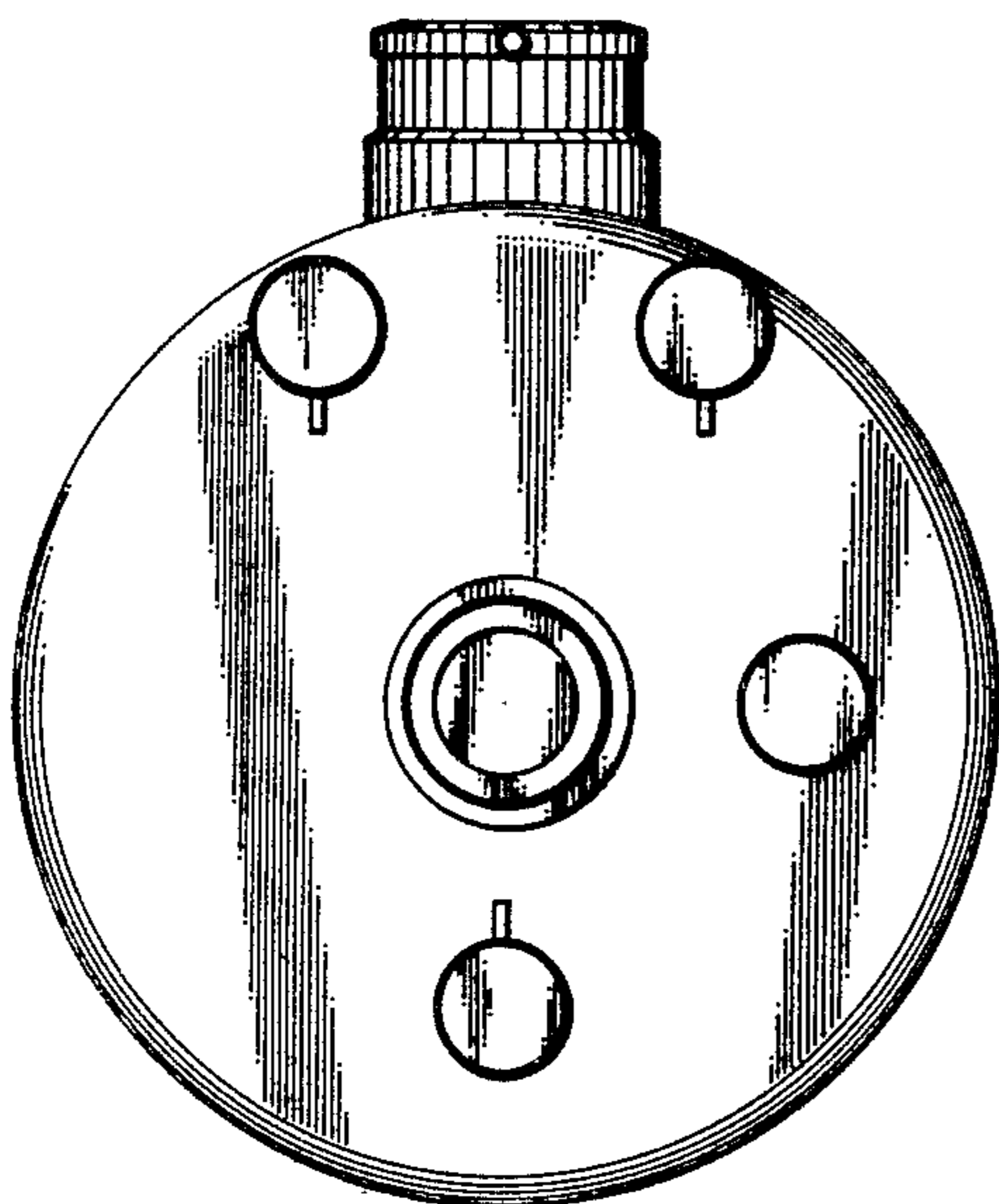




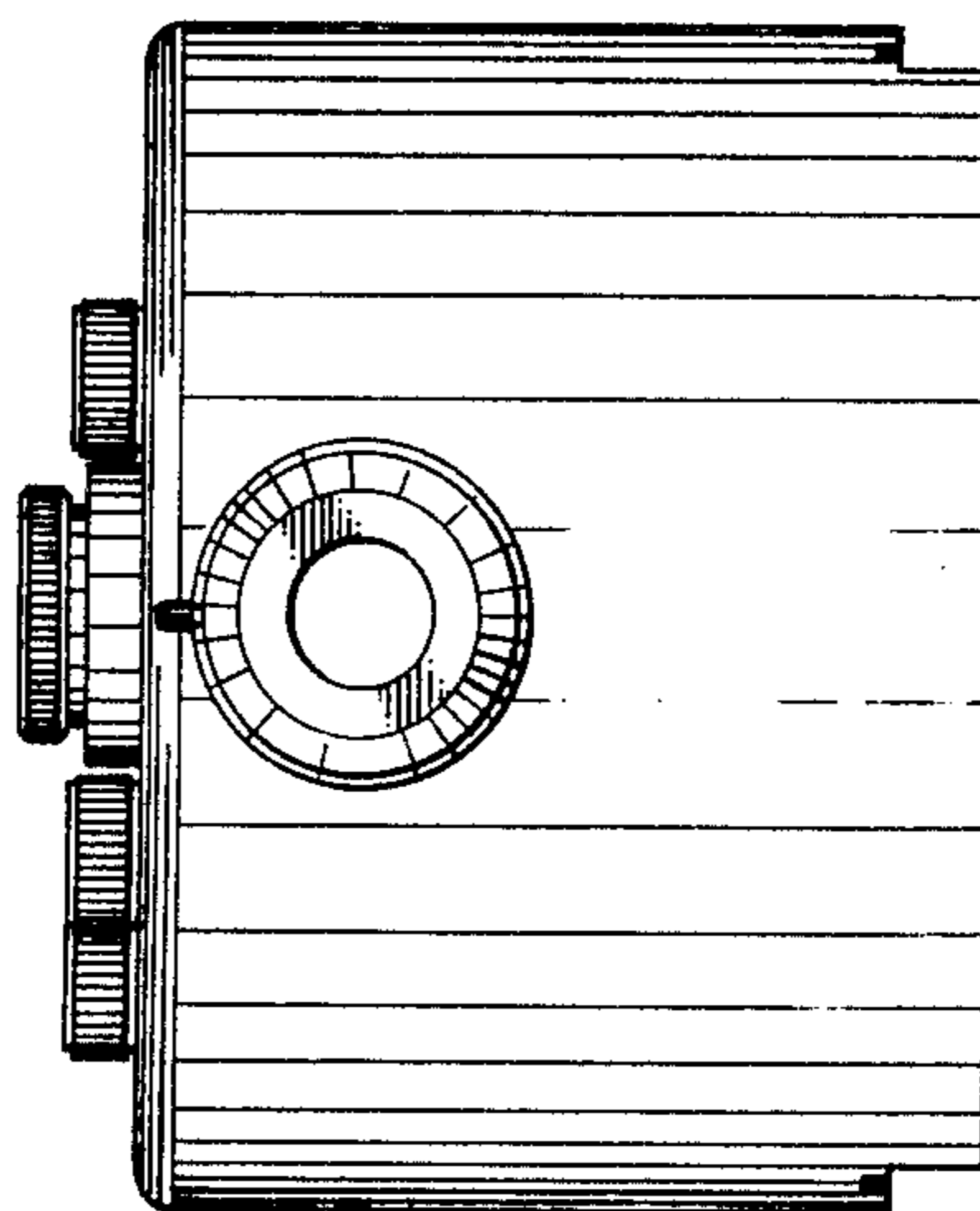
Fig_1



Fig_2



Fig_3



Fig_4