

[54] **SCOPE MOUNT FOR A RIFLE OR SIMILAR FIREARM**

4,085,511 4/1978 Kovac 33/250
 4,248,496 2/1981 Akin, Jr. et al. 350/562
 4,249,315 2/1981 Hopson 33/250
 4,367,606 1/1983 Bechtel 33/250

[75] **Inventor: William B. Ruger, Croydon, N.H.**

[73] **Assignee: Sturm, Ruger & Co., Inc., Southport, Conn.**

[**] **Term: 14 Years**

[21] **Appl. No.: 315,460**

[22] **Filed: Oct. 27, 1981**

[52] **U.S. Cl. D16/132**

[58] **Field of Search D16/132; 350/562; 33/250, 245, 233**

[56] **References Cited**

U.S. PATENT DOCUMENTS

D. 225,569	12/1972	Burriss et al.	D16/132
1,452,651	4/1923	Norrilin	248/229
1,816,195	7/1931	Redfield	33/250
2,659,150	11/1953	Feerick	33/250
2,767,473	10/1956	Craven	33/250
2,777,202	1/1957	Conte	33/245
2,836,895	6/1958	Dillon	33/245
3,153,856	10/1964	Felix	33/250
3,295,811	1/1967	Giwoosky	248/229
3,297,389	1/1967	Gibson	350/562
3,463,430	8/1969	Rubin et al.	33/245
3,671,000	6/1972	Williams	33/250
3,764,219	10/1973	Collins	33/250
4,008,536	2/1977	Adams	33/233

OTHER PUBLICATIONS

Jason Empire Optical Instruments, Publ. by Jake Levin & Son Inc., Booklet, pp. 30, 31, Models 860, 864, 862, 863.

Gun World, Feb. 1980, ©1980 Gallant Publ. Co., Ruger M77 Article, pp. 44-46.

Gun Digest, 1978 Edition, ©1977 Dbl Books, Inc., pp. 69-71, 108-114, 403.

Primary Examiner—Wallace R. Burke

Assistant Examiner—Horace B. Fay

Attorney, Agent, or Firm—Pennie & Edmonds

[57] **CLAIM**

The ornamental design for a scope mount for a rifle or similar firearm, as shown.

DESCRIPTION

FIG. 1 is a right rear perspective view of a scope mount for a rifle or similar firearm showing my new design, with the riflescope shown in broken lines presented for illustrative purposes only;

FIG. 2 is a left rear perspective view thereof;

FIG. 3 is a side elevational view;

FIG. 4 is an elevational view of the opposite side; and

FIG. 5 is a top plan view thereof with the broken-line riflescope removed.

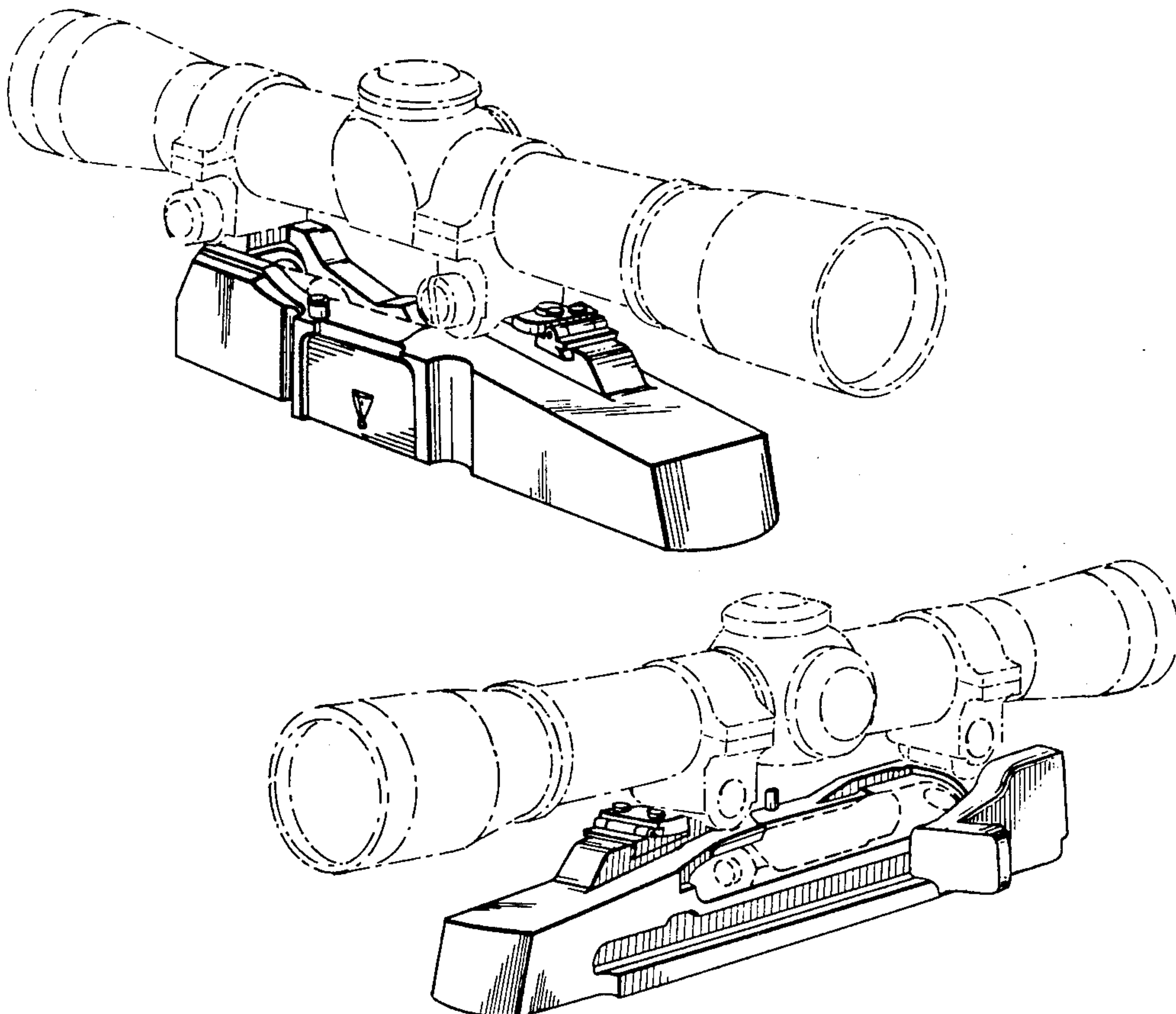


FIG. 1.

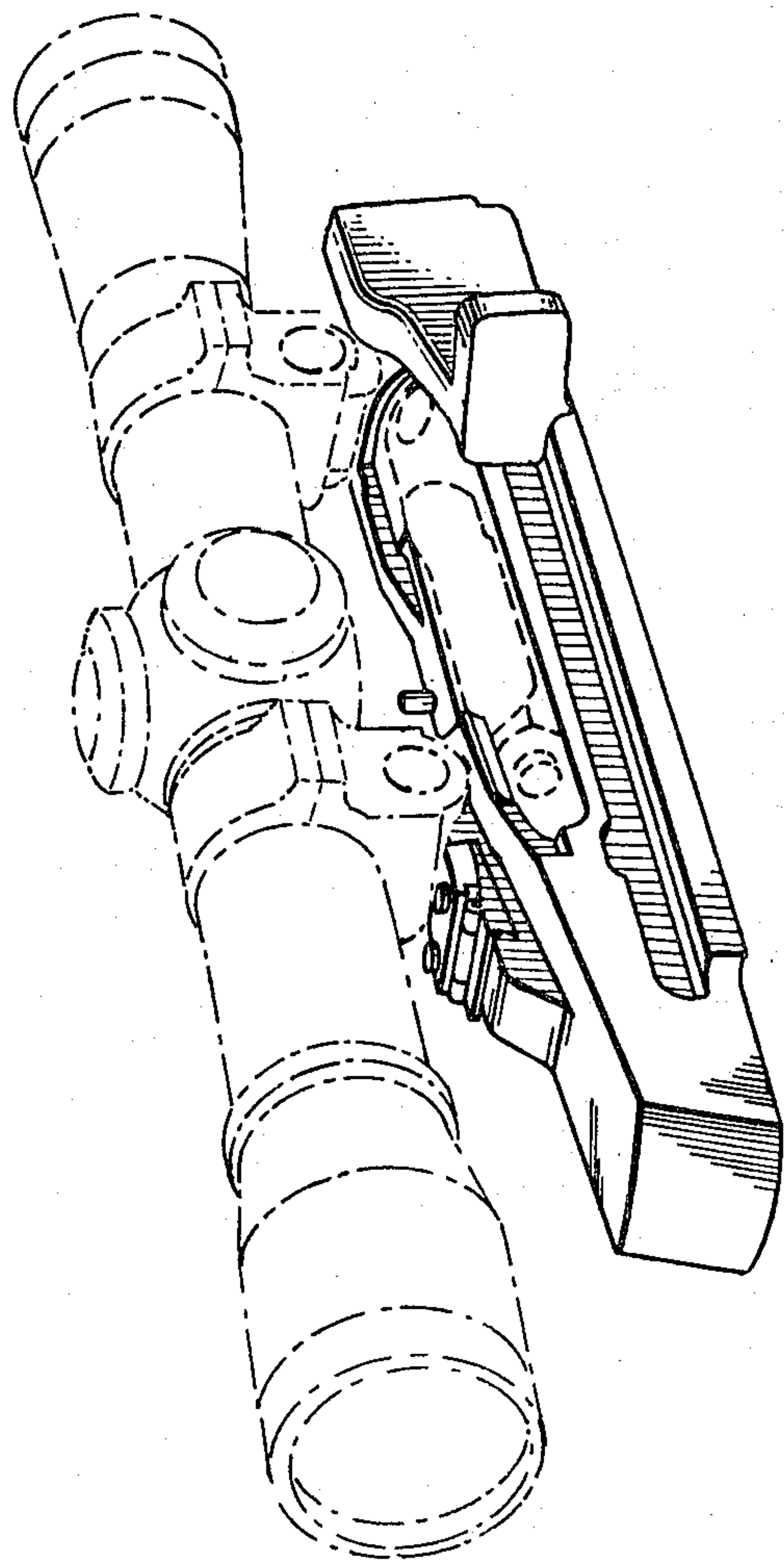


FIG. 2.

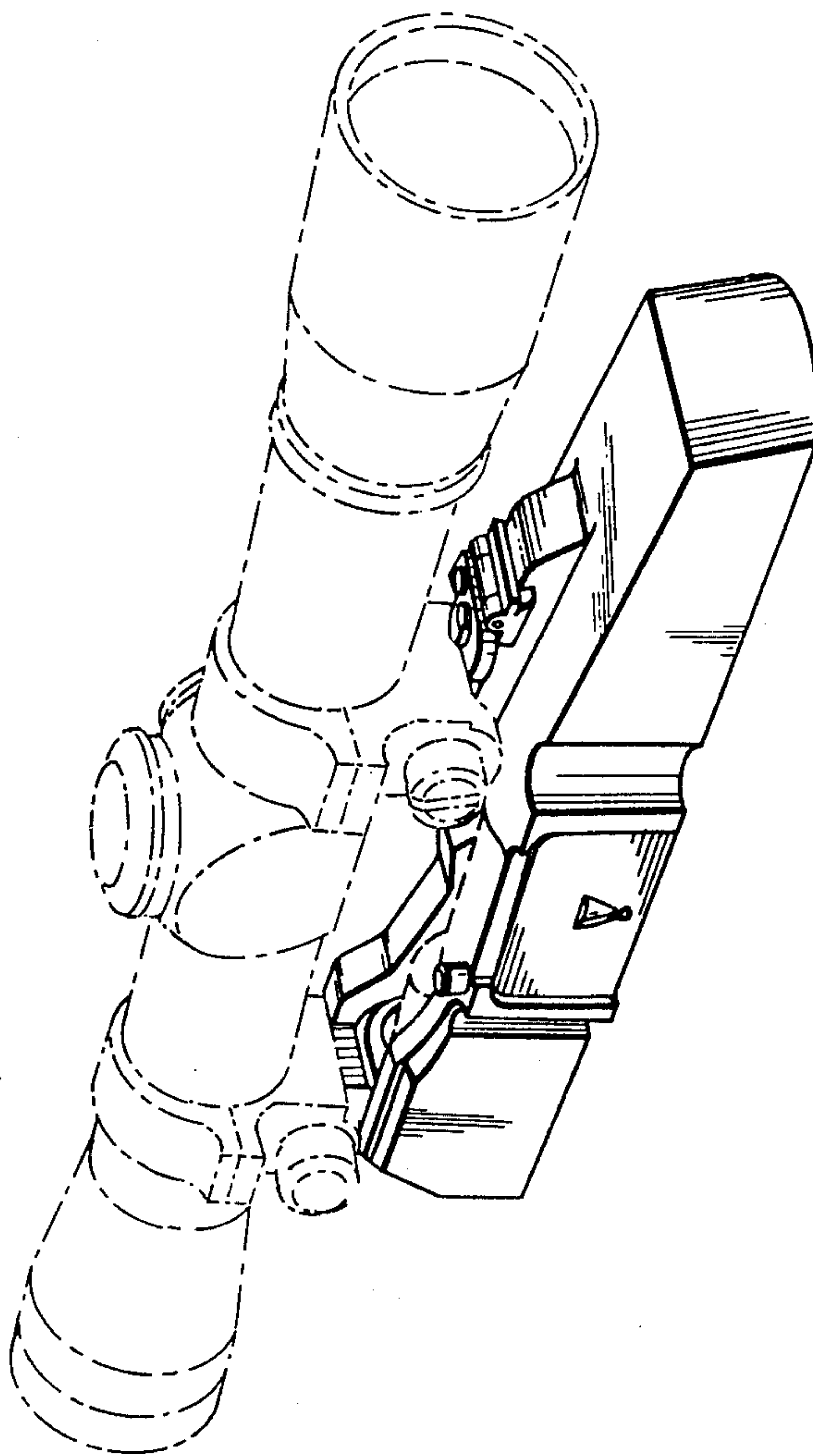


FIG. 3.

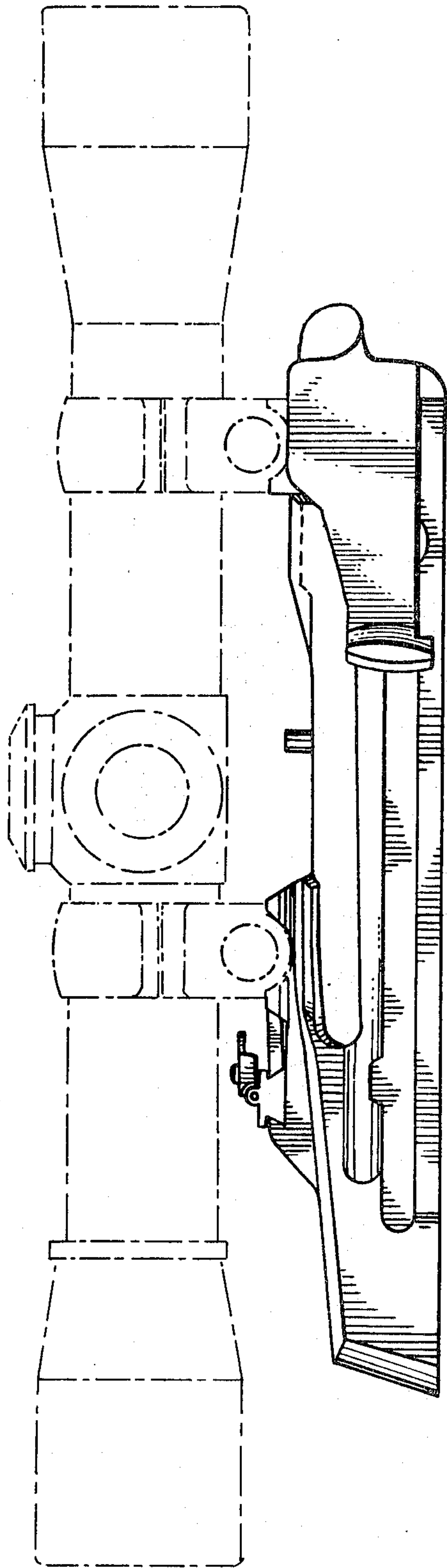


FIG. 4.

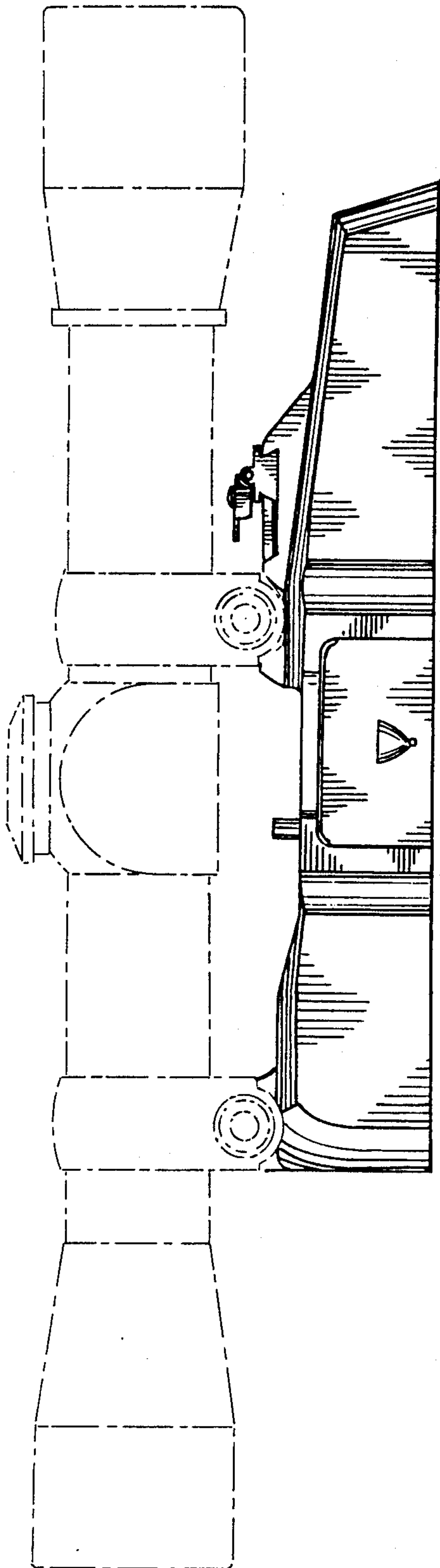


FIG. 5.

