

[54] **ELECTRIC START CONTROLLER FOR A LAWN MOWER**

[75] **Inventor: Donald F. Voelkert, Union, Mich.**

[73] **Assignee: Electromation, Inc., Elkhart, Ind.**

[**] **Term: 14 Years**

[21] **Appl. No.: 448,943**

[22] **Filed: Dec. 13, 1982**

[52] **U.S. Cl. D15/17**

[58] **Field of Search D15/10, 11, 14, 15, D15/16, 17, 18; 56/10.8, 11.8; D9/373, 375; D21/108; D13/40, 41, 32; 180/19 H; D3/2**

[56] **References Cited**

U.S. PATENT DOCUMENTS

D. 249,266 9/1978 Furuya D15/14
D. 264,127 4/1982 Peterson D9/375
4,117,652 10/1978 Jones et al. 56/11.8

Primary Examiner—Wallace R. Burke

Assistant Examiner—Suzanne N. Gitlin

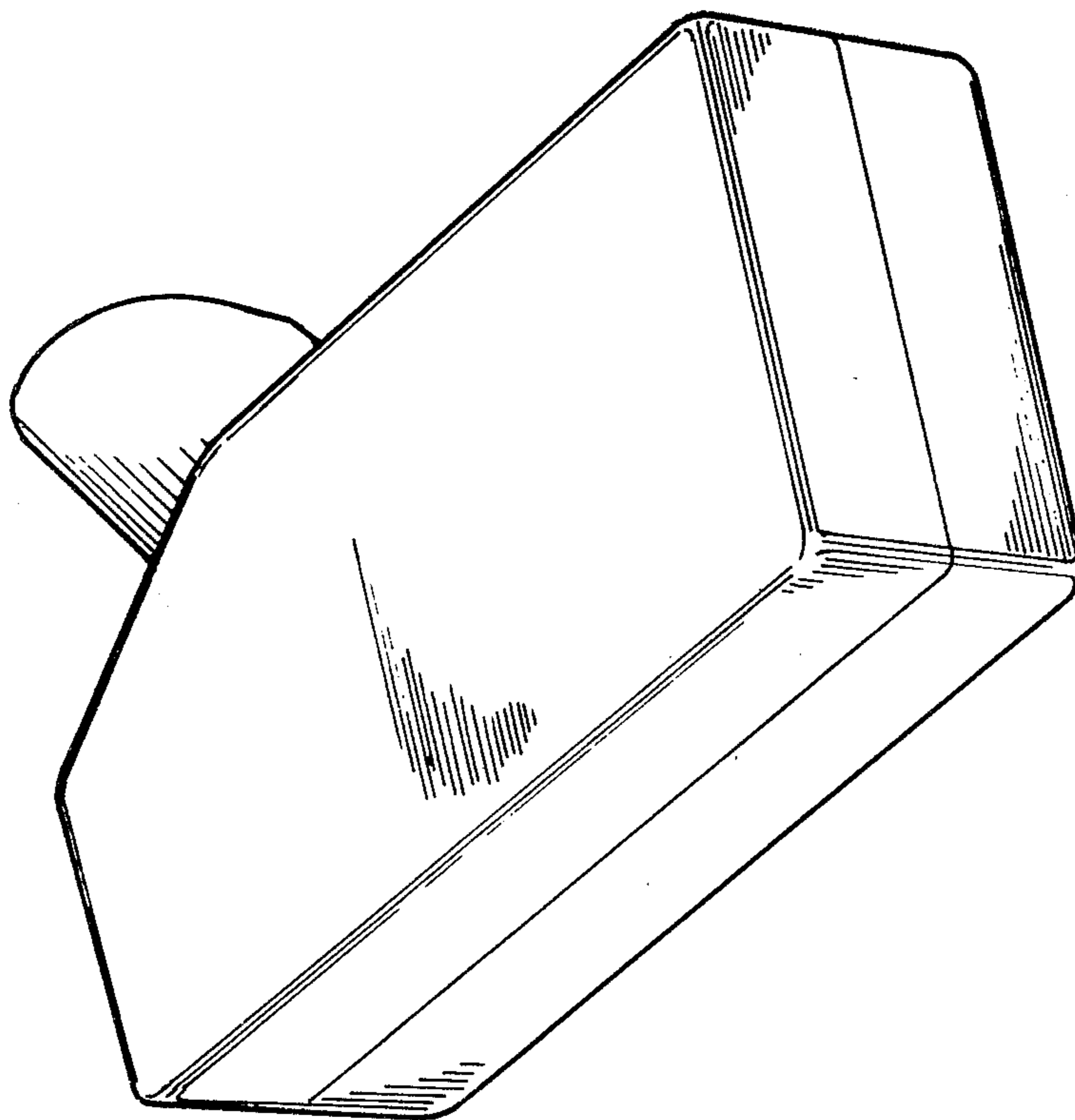
Attorney, Agent, or Firm—James D. Hall

[57] **CLAIM**

The ornamental design for an electric start controller for a lawn mower, as shown.

DESCRIPTION

FIG. 1 is a front perspective view of an electric start controller for a lawn mower showing my new design; FIG. 2 is a rear perspective view thereof.



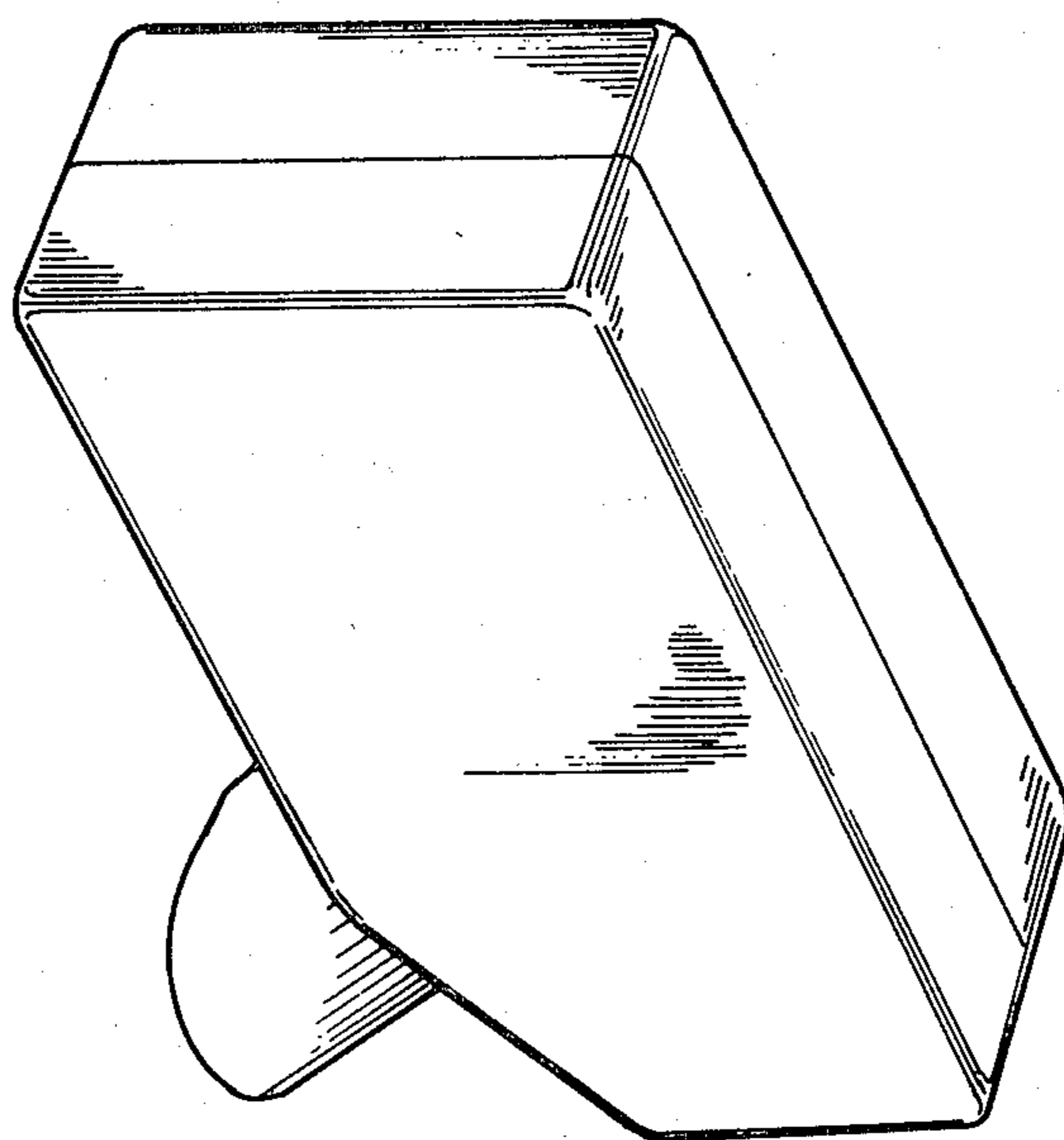


FIG. 2

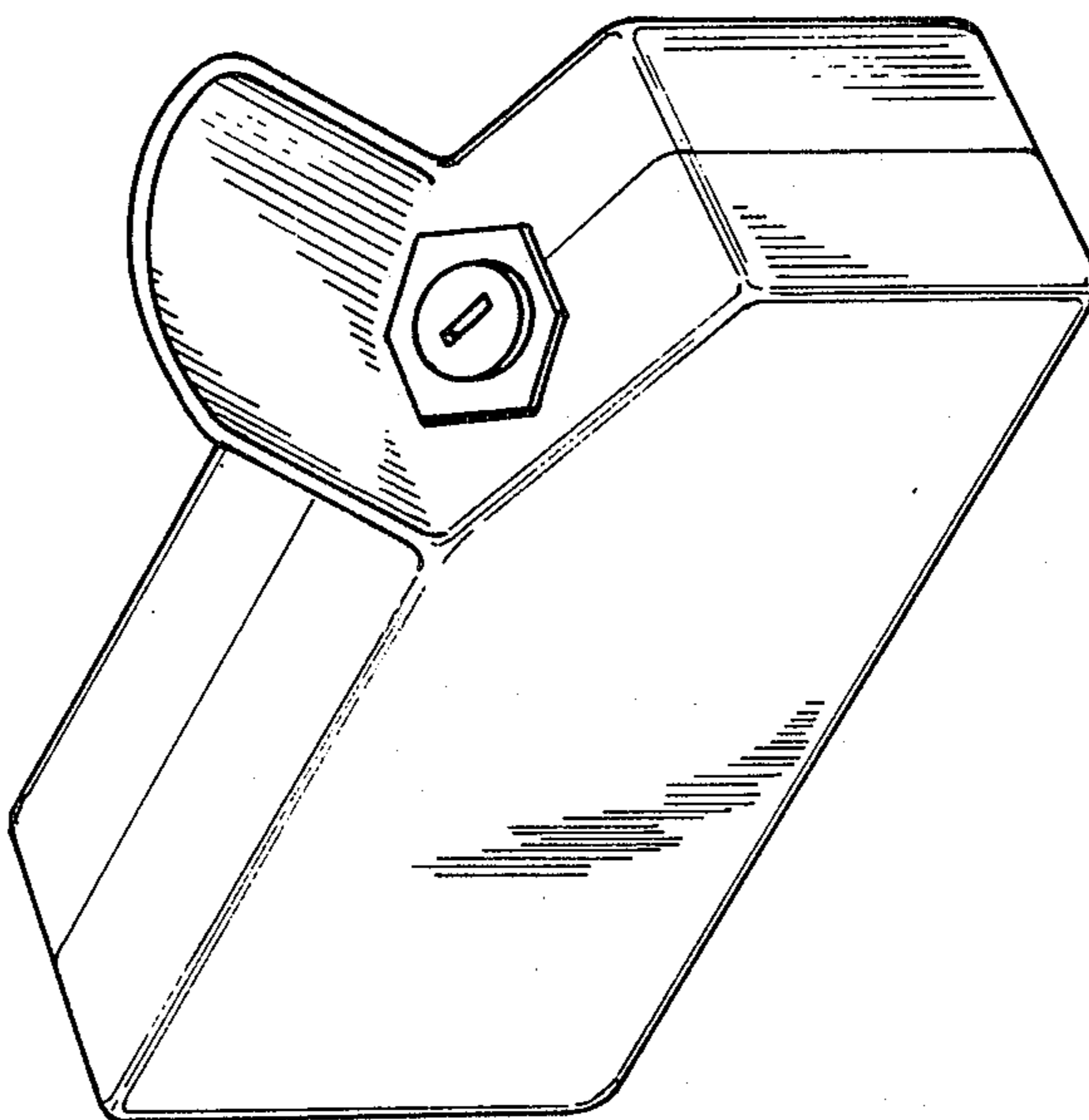


FIG. 1