

# United States Patent [19]

Brown, Jr. et al.

[11] Patent Number: **Des. 275,484**

[45] Date of Patent: **\*\* Sep. 11, 1984**

[54] TELEPHONE HANDSET

[75] Inventors: **Kenneth B. Brown, Jr.**, Greenwood, Ind.; **Donald M. Genaro**, Haworth, N.J.; **John N. McGarvey**, Drexel Hill, Pa.; **Alvin R. Tilley**, Red Bank, N.J.

[73] Assignee: **AT&T Bell Laboratories**, Murray Hill, N.J.

[\*\*] Term: **14 Years**

[21] Appl. No.: **455,913**

[22] Filed: **Jan. 5, 1983**

[52] U.S. Cl. .... **D14/63; D14/53; D14/64**

[58] Field of Search ..... **D14/63, 64, 53, 58; 179/100, 100 R, 100 D, 103, 178, 179, 156, 146**

[56] **References Cited**

**U.S. PATENT DOCUMENTS**

D. 175,073 7/1955 Heller ..... D14/63

D. 209,910 1/1968 Tyson et al. .... D14/63  
D. 210,378 3/1968 Perkins ..... D14/63  
D. 229,837 1/1974 Genaro et al. .... D14/63  
D. 256,465 8/1980 Tyler ..... D14/63  
D. 263,048 2/1982 Genaro et al. .... D14/63

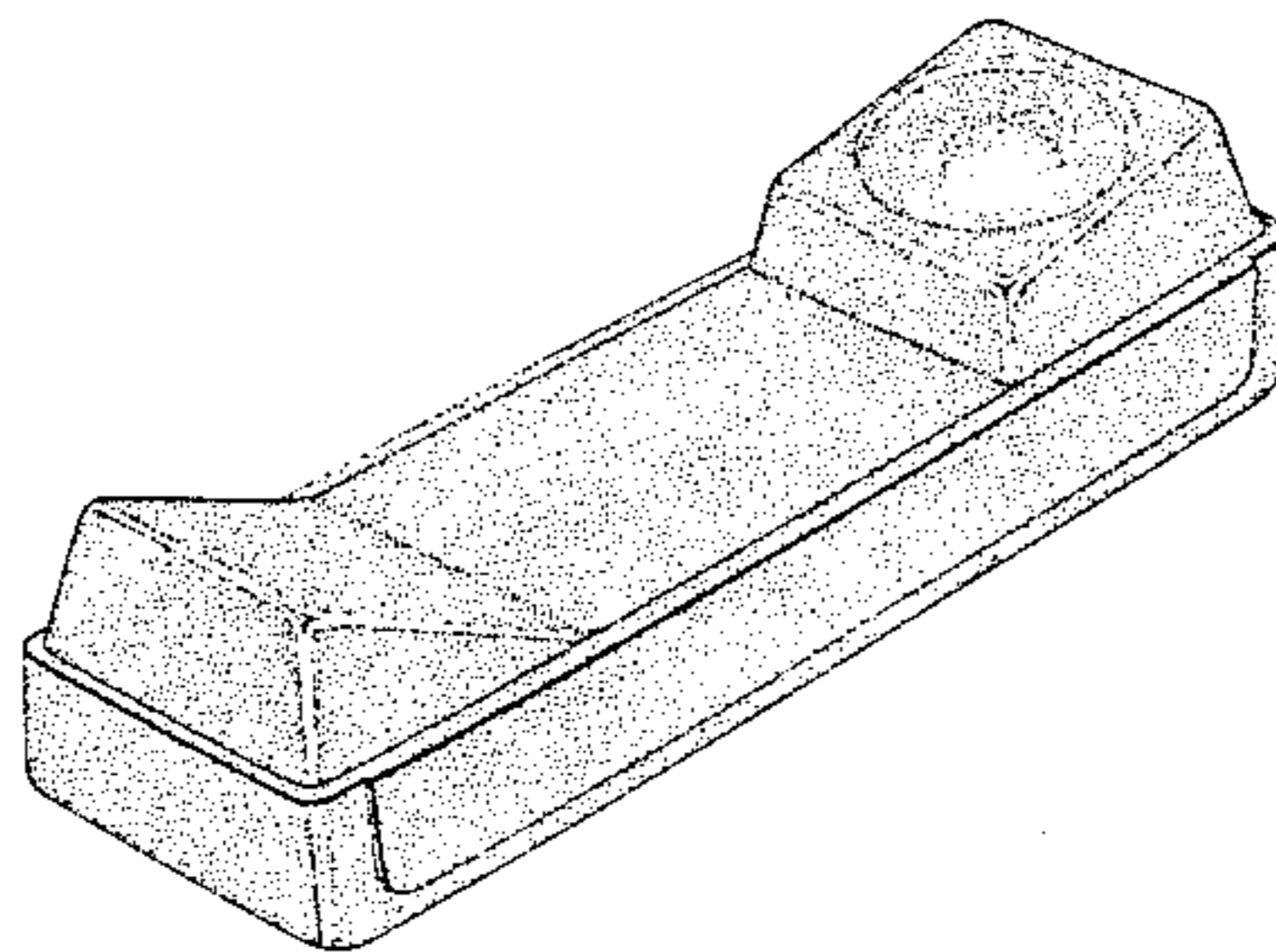
*Primary Examiner*—Bernard Ansher  
*Attorney, Agent, or Firm*—H. L. Newman

[57] **CLAIM**

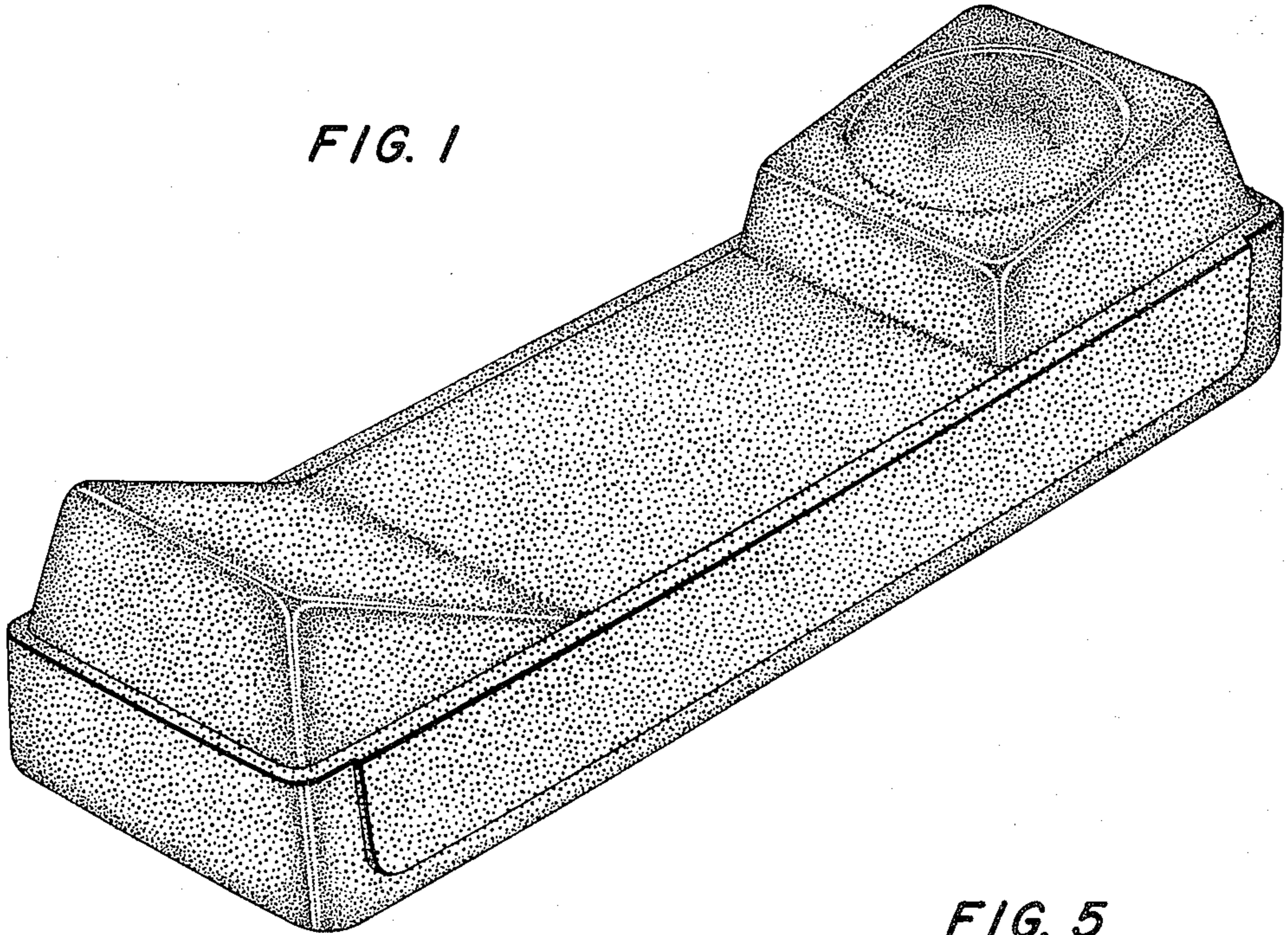
The ornamental design for a telephone handset, substantially as shown and described.

**DESCRIPTION**

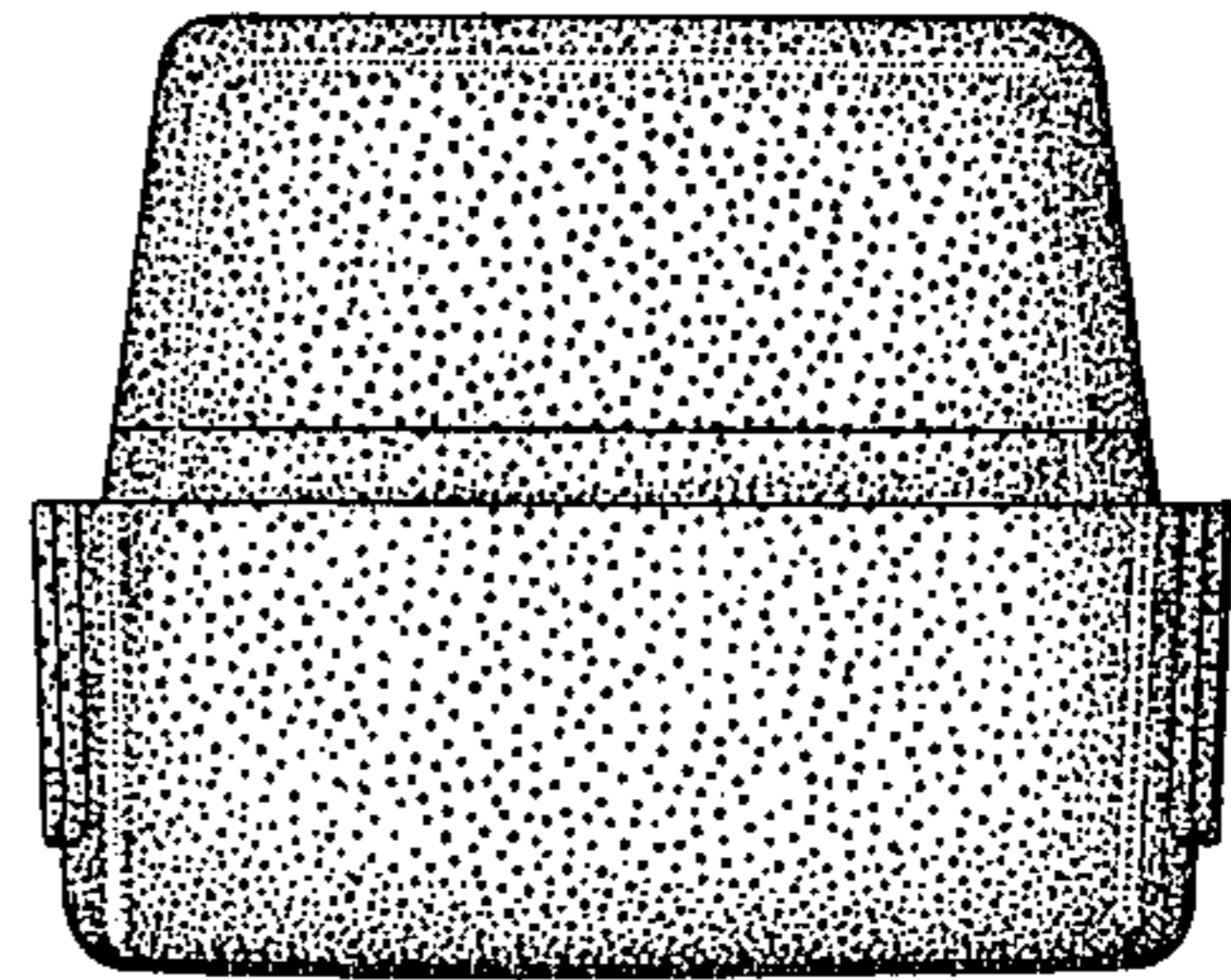
FIG. 1 is a perspective view showing our new design for a telephone handset;  
FIG. 2 is a top plan view thereof;  
FIG. 3 is a bottom plan view thereof;  
FIG. 4 is a side elevation view thereof, the opposite side being essentially a mirror image of the view shown;  
FIG. 5 is an end elevation view thereof, the opposite end being similar in appearance.



*FIG. 1*



*FIG. 5*



*FIG. 3*

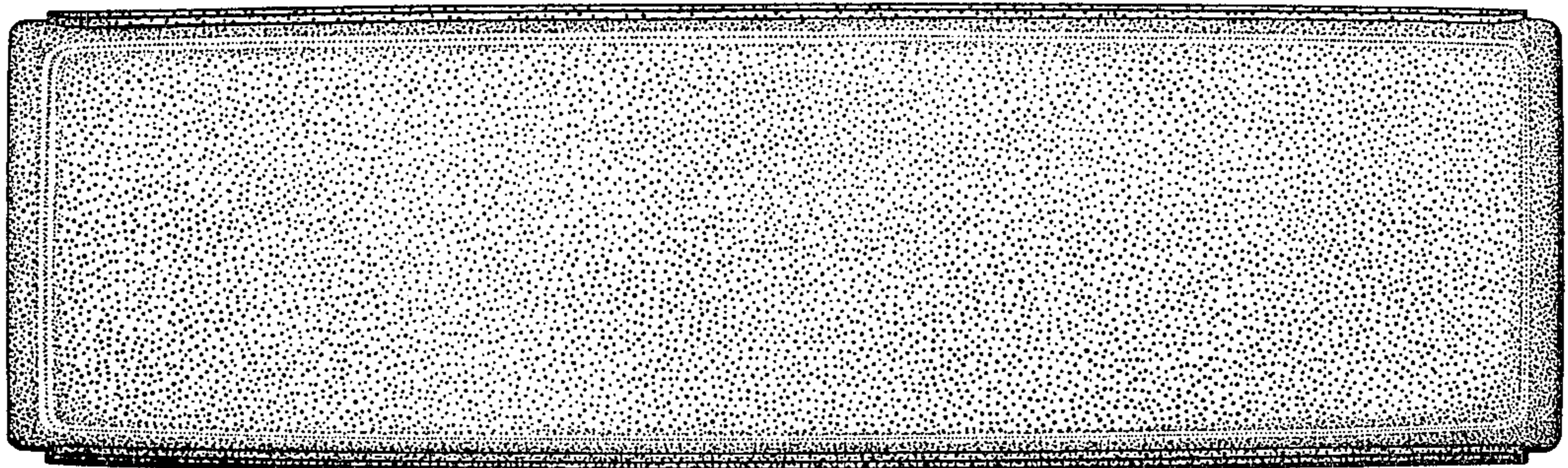


FIG. 2

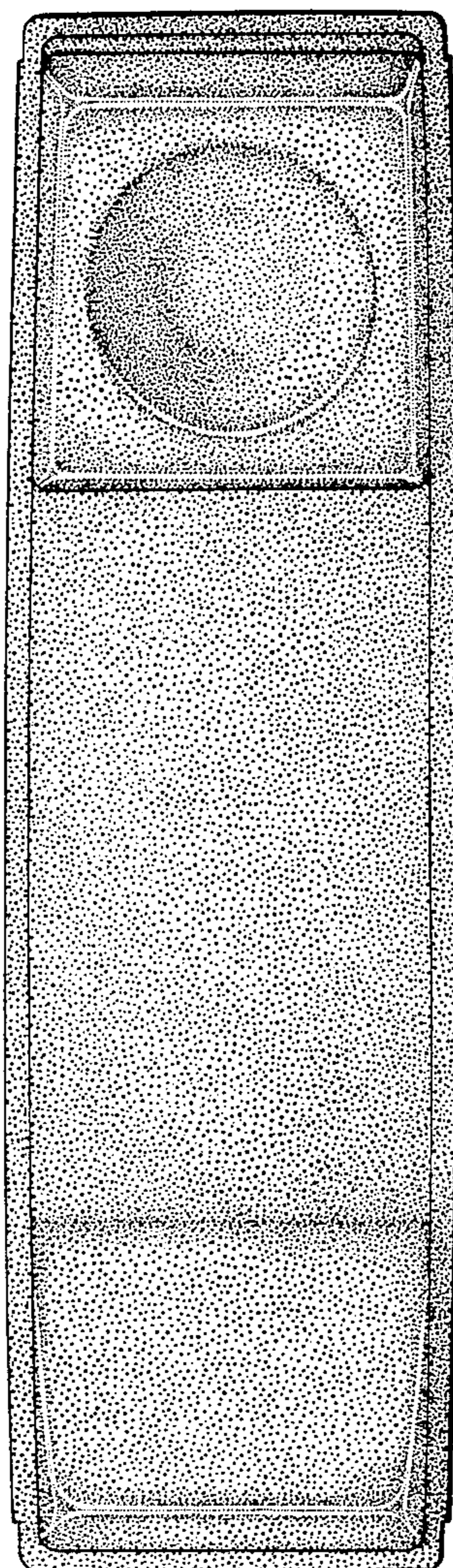


FIG. 4

