

[54] TELEPHONE CRADLE

[75] Inventors: John C. Coons; Jean M. Beirise, both of Cincinnati, Ohio

[73] Assignee: Masco Corp. of Indiana, Taylor, Mich.

[**] Term: 14 Years

[21] Appl. No.: 259,608

[22] Filed: May 1, 1981

[52] U.S. Cl. D14/60; D13/5

[58] Field of Search D14/53, 60; D13/5; 320/2; 179/100 D, 103, 100 R, 178, 179

[56] References Cited

U.S. PATENT DOCUMENTS

- D. 223,099 3/1972 Sato D13/5
- D. 227,123 6/1973 Sato D13/5
- D. 229,500 12/1973 Krumin et al. D13/5

- D. 252,570 8/1979 Genaro et al. D14/60
- D. 264,079 4/1982 Peterson D14/53

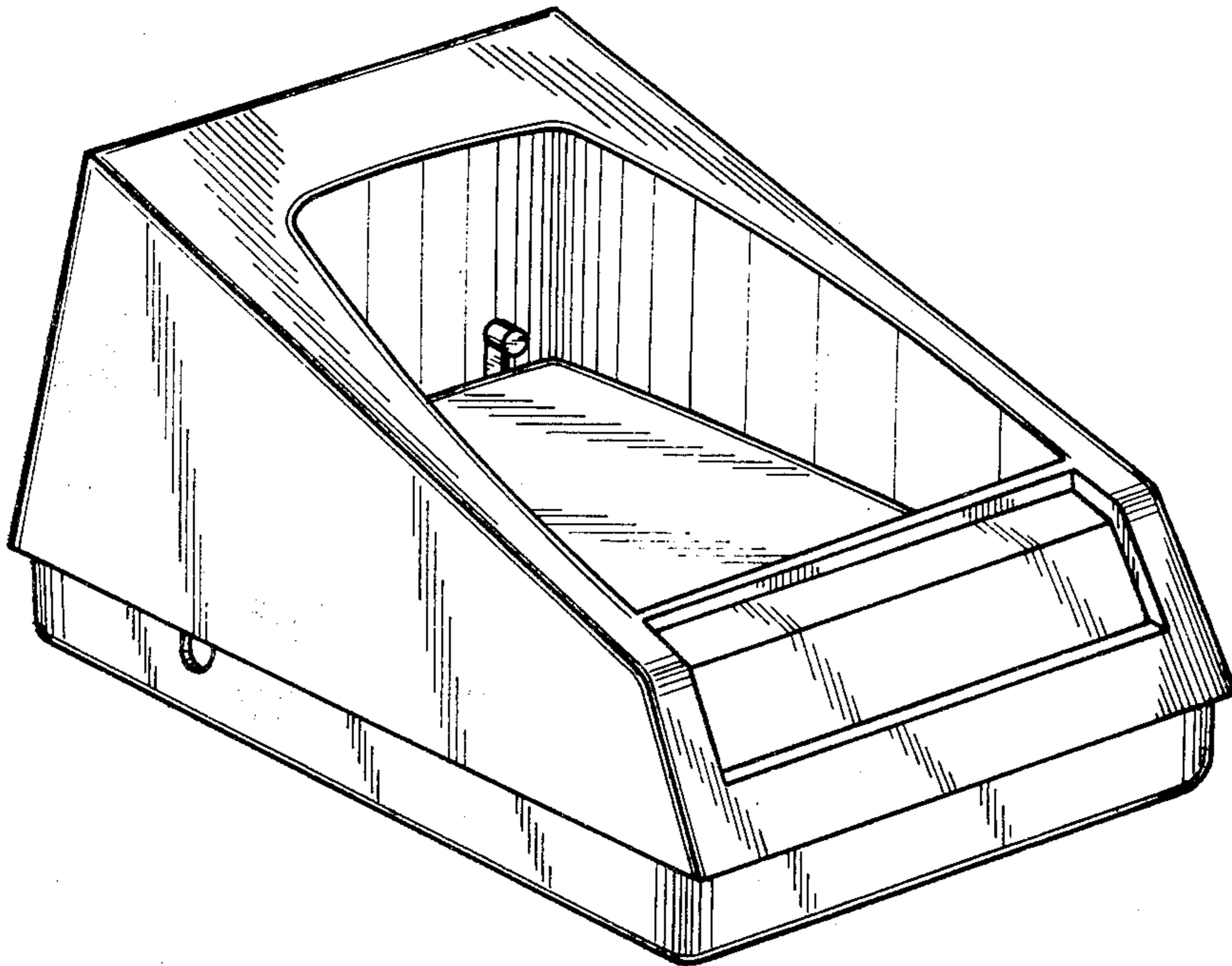
Primary Examiner—Bernard Ansher
Attorney, Agent, or Firm—Steven L. Permut; E. Dennis O'Connor; Leon E. Redman

[57] CLAIM

The ornamental design for a telephone cradle, as shown and described.

DESCRIPTION

FIG. 1 is a top front perspective view of a telephone cradle;
 FIG. 2 is a top view thereof;
 FIG. 3 is a right side elevational view thereof;
 FIG. 4 is a front elevational view thereof;
 FIG. 5 is a rear elevational view thereof;
 FIG. 6 is a left side view thereof;
 FIG. 7 is a bottom view thereof; and
 FIG. 8 is a sectional view taken along line 8—8 of FIG. 5.



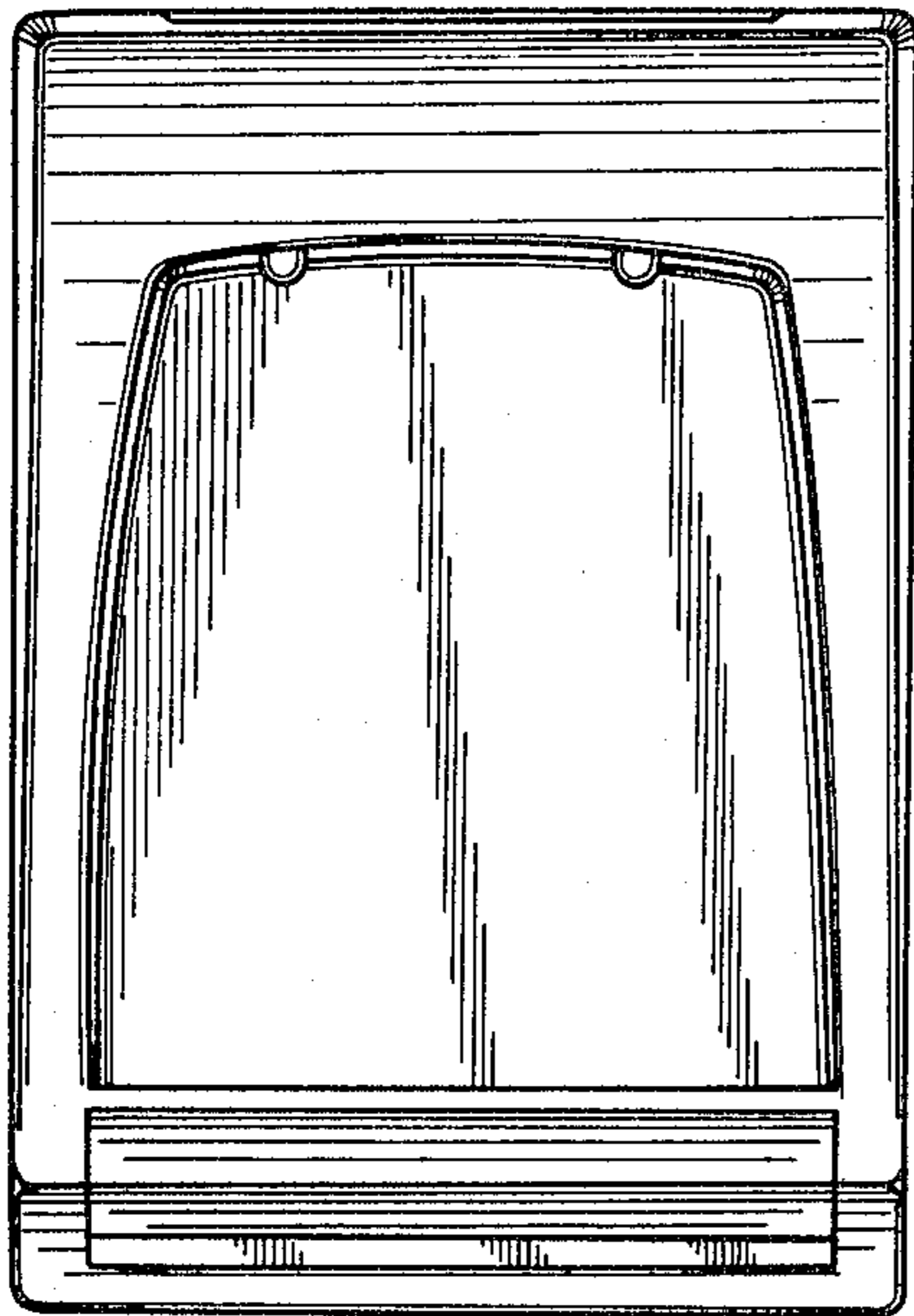


FIG. 2

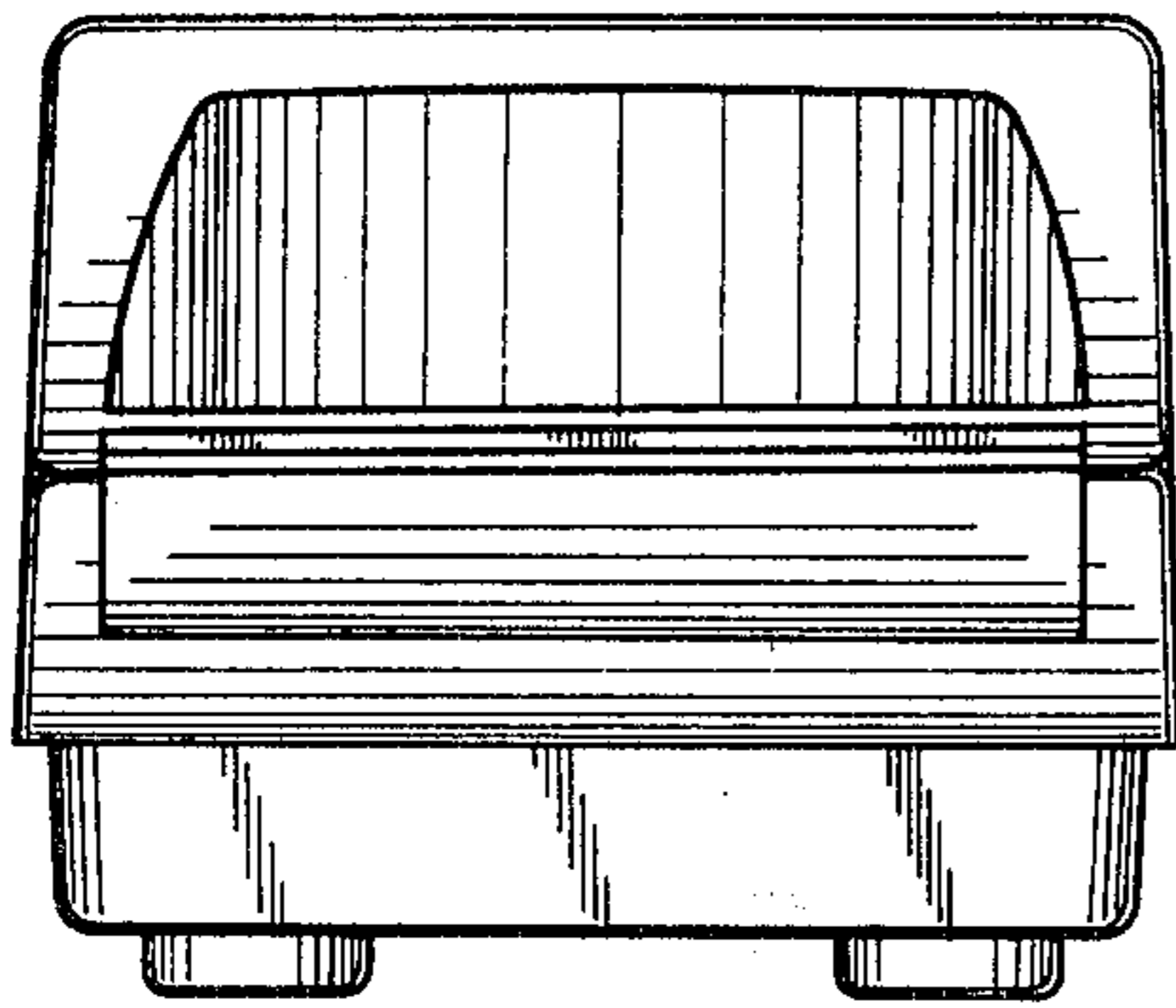


FIG. 4

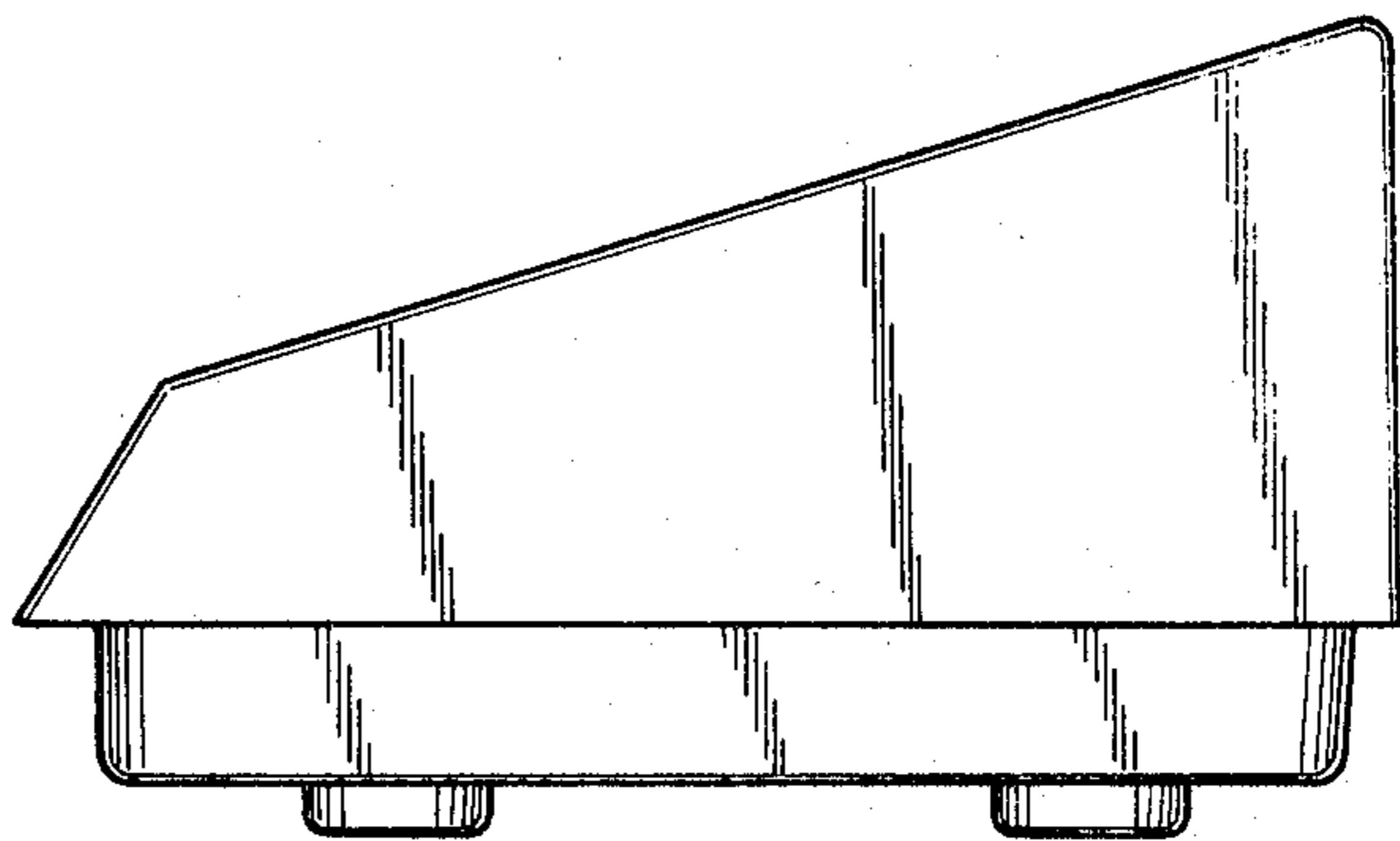


FIG. 3

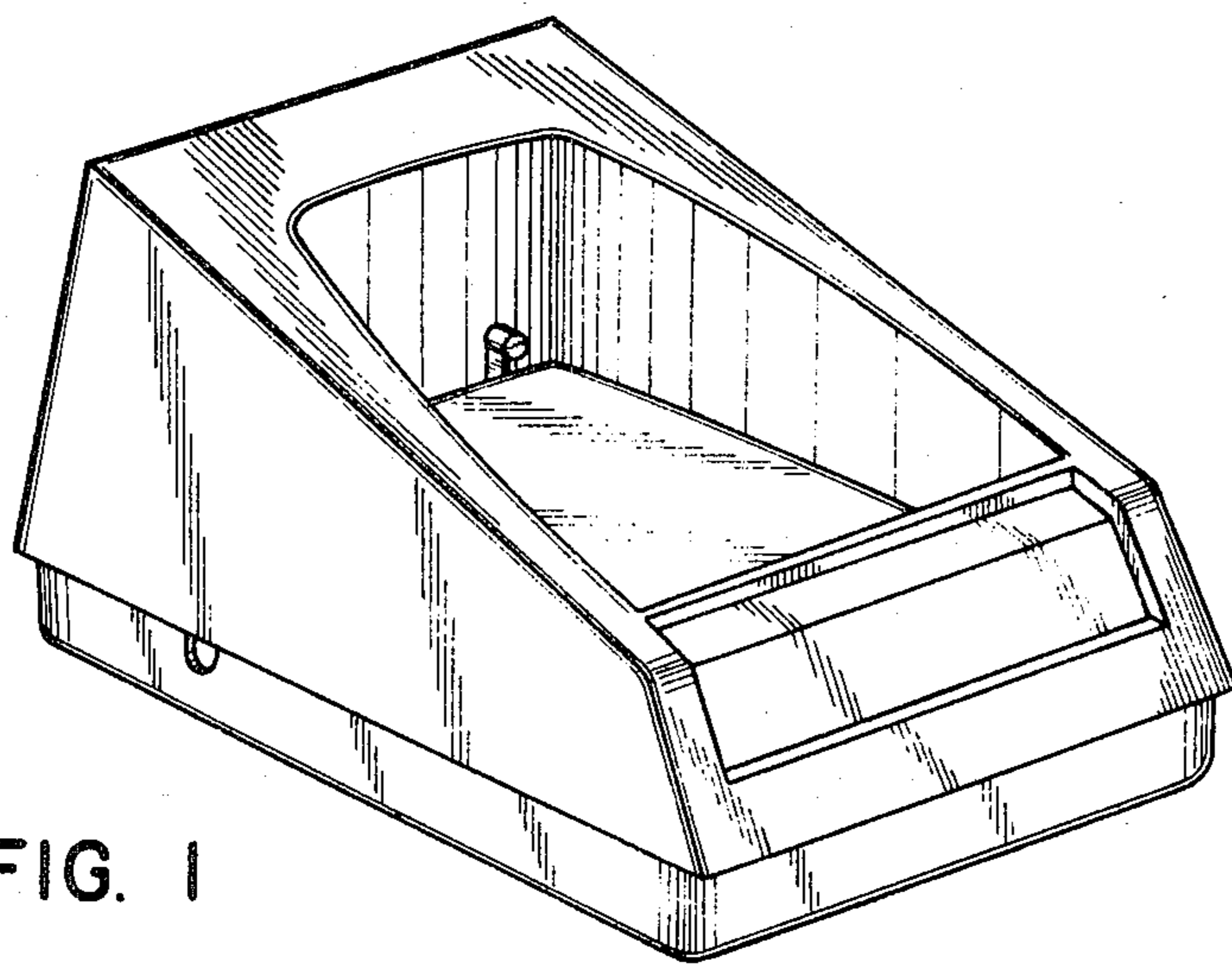


FIG. 1

FIG. 8

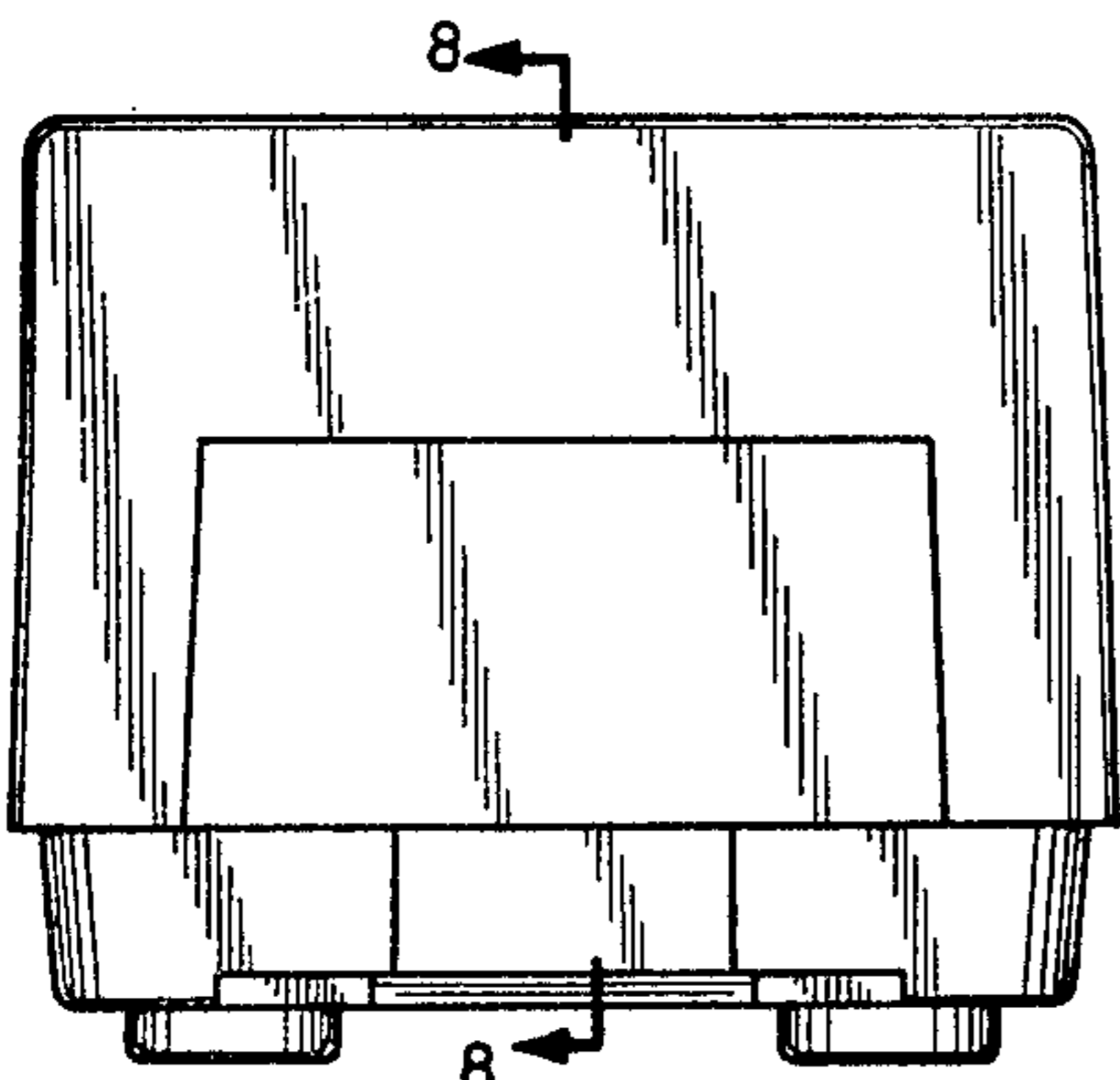
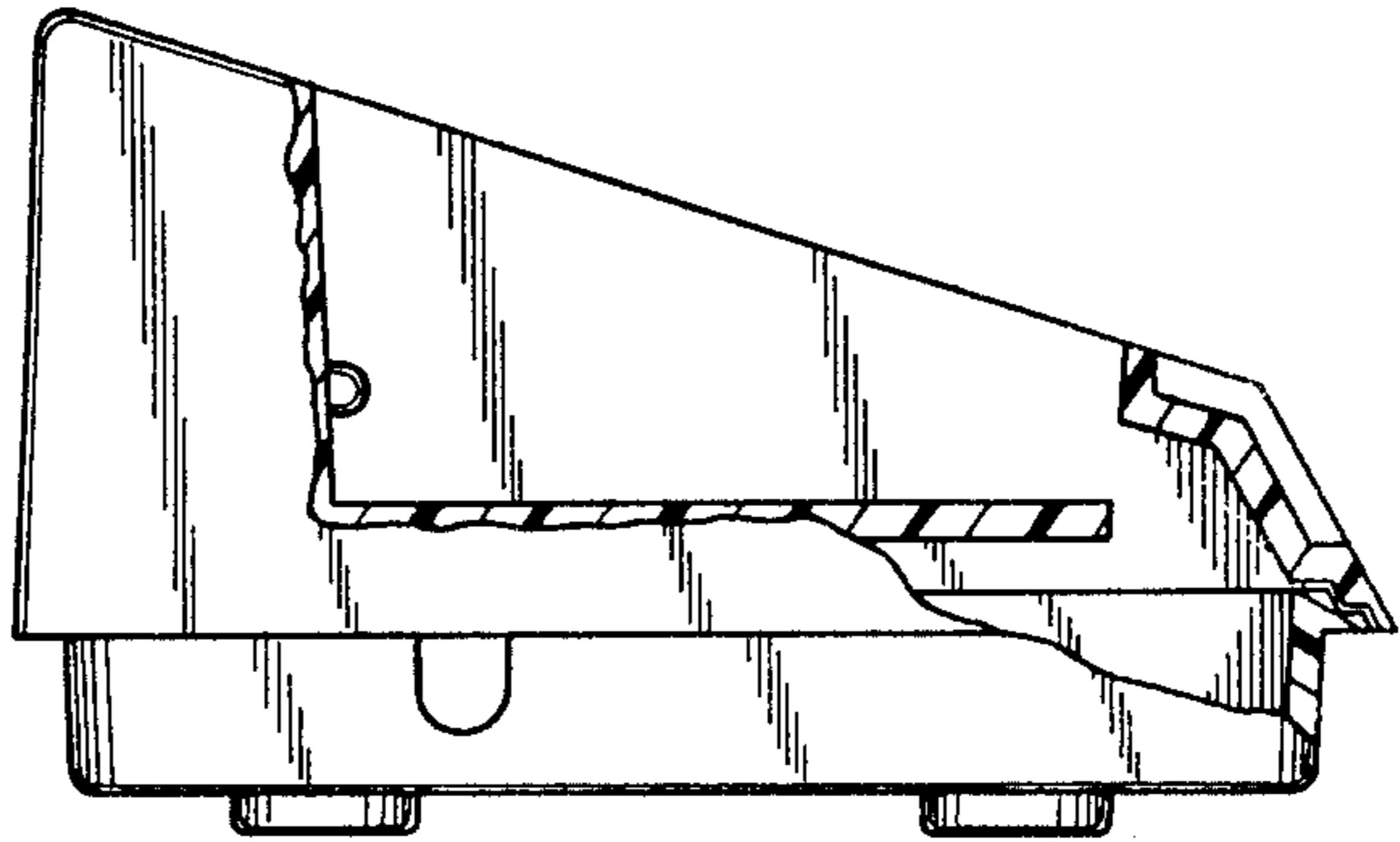


FIG. 5

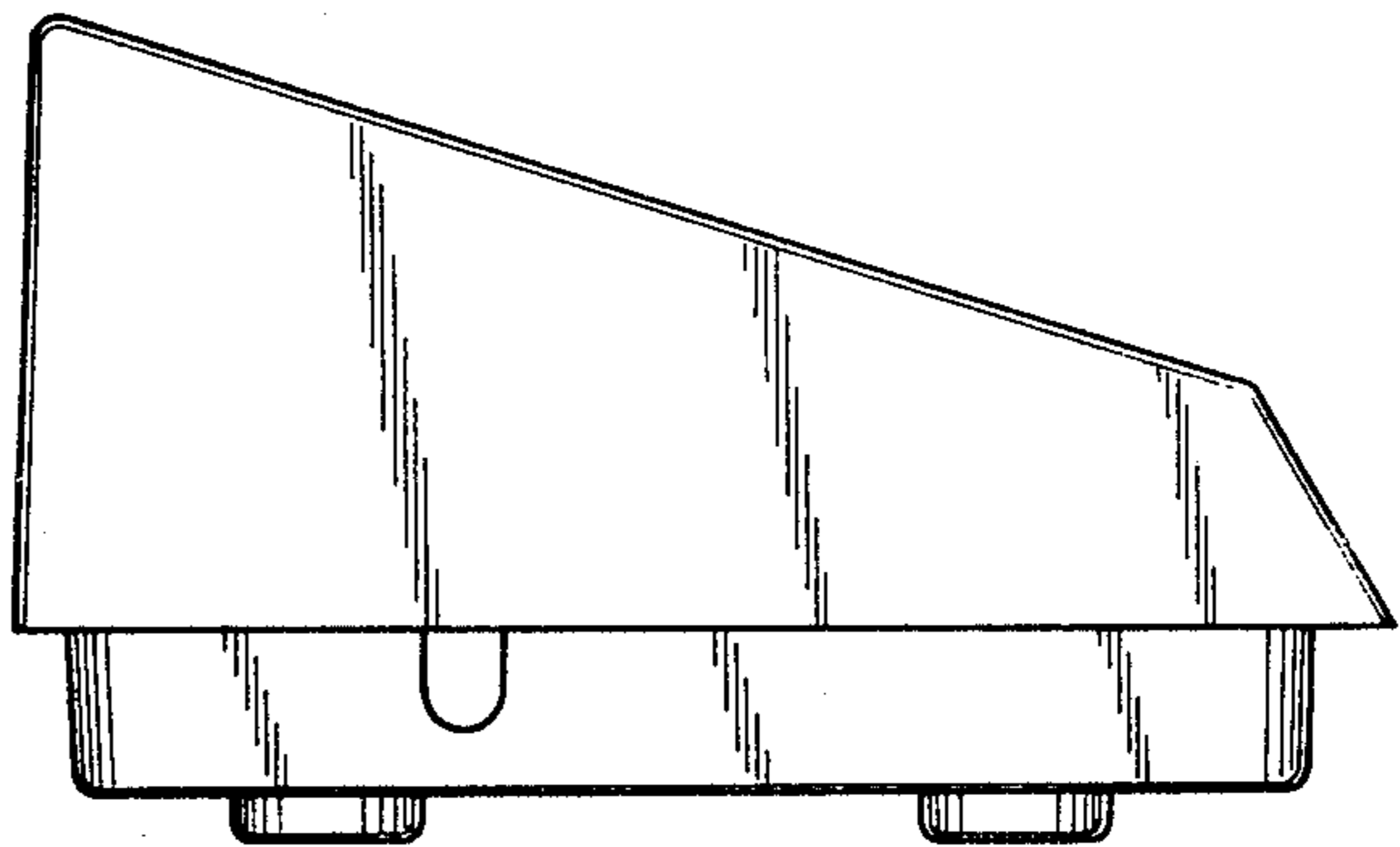


FIG. 6

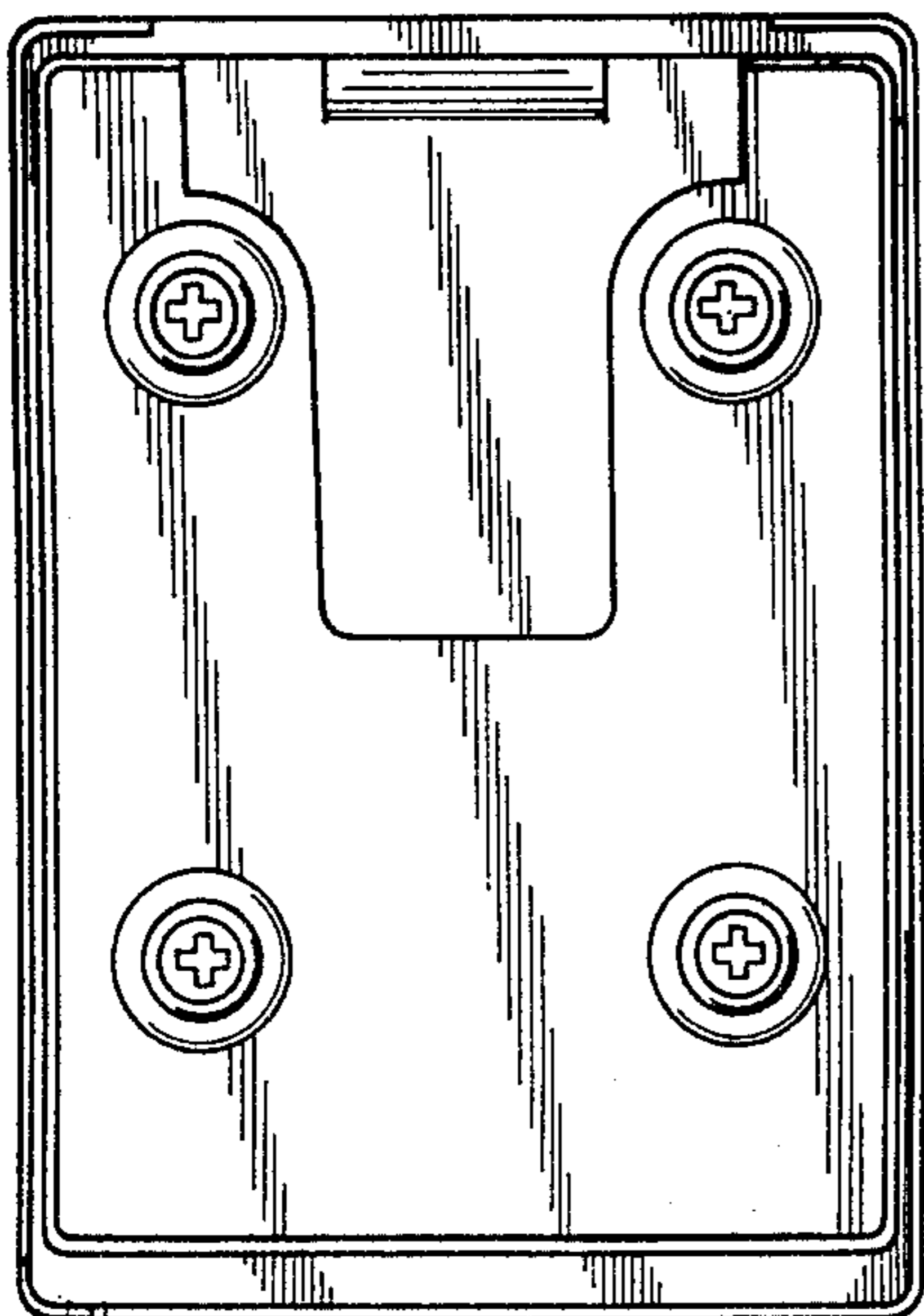


FIG. 7