

[54] **MOTOR MODULE COVER**

[75] Inventor: **Dana J. Griggs**, East Amherst, Pa.
[73] Assignee: **Westinghouse Electric Corp.**,
Pittsburgh, Pa.
[**] Term: **14 Years**
[21] Appl. No.: **368,942**
[22] Filed: **Apr. 16, 1982**
[52] U.S. Cl. **D13/1**
[58] Field of Search **D13/1, 2, 3; 310/89**

[56] **References Cited**

U.S. PATENT DOCUMENTS

D. 173,547	11/1954	Sundberg	D13/1
D. 209,511	12/1967	Armstrong	D13/1
D. 210,213	2/1968	Tomkinson	D13/1
D. 217,674	5/1970	Jaeschke	D13/1
D. 237,387	10/1975	Monroe	D13/1
3,243,619	3/1966	Baclawski	310/89

FOREIGN PATENT DOCUMENTS

306717 3/1933 Italy 220/3.8

Primary Examiner—Wallace R. Burke
Assistant Examiner—Lynn Wilder
Attorney, Agent, or Firm—G. H. Telfer

[57] **CLAIM**

The ornamental design for a motor module cover, substantially as shown and described.

DESCRIPTION

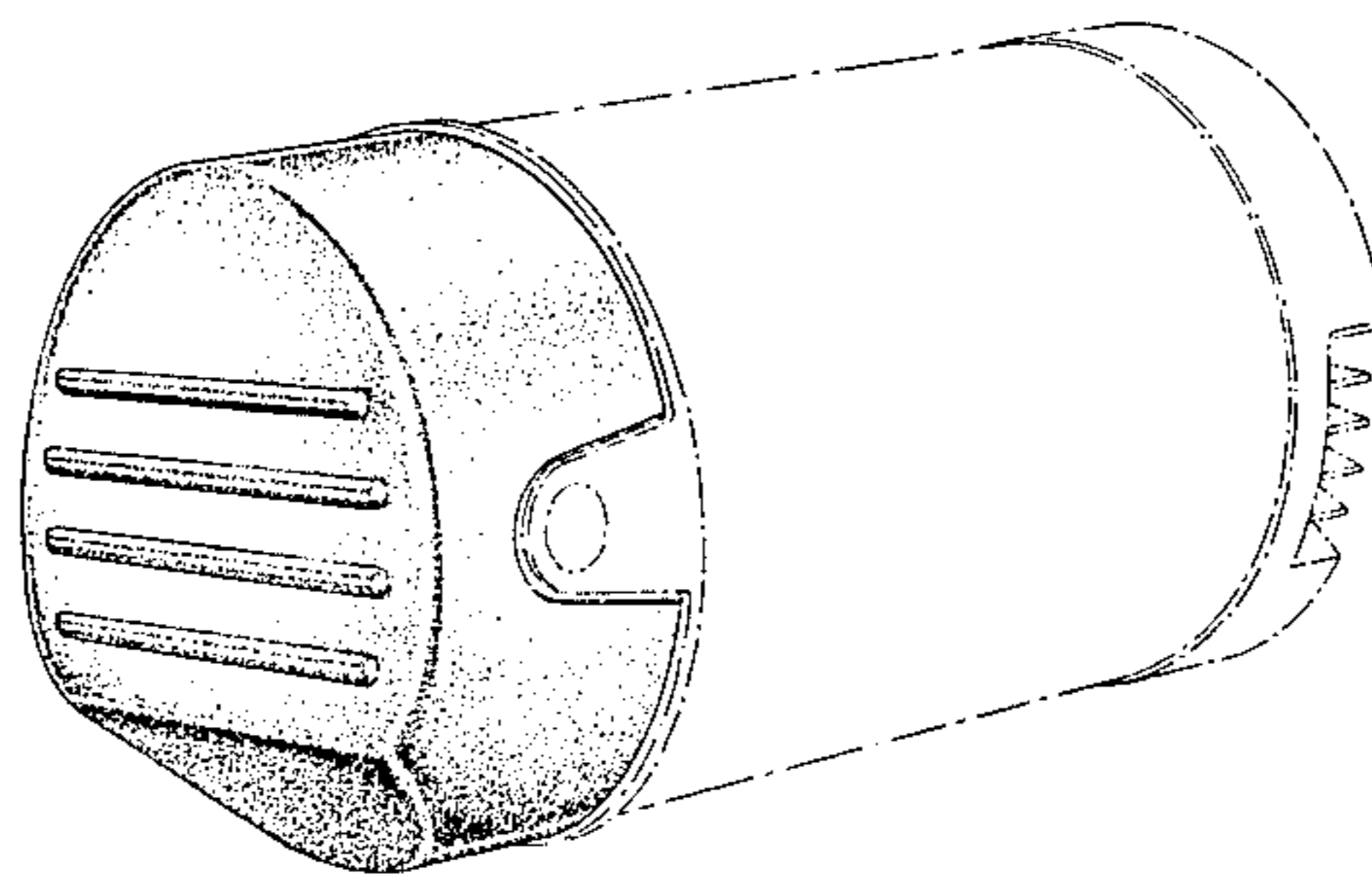
FIG. 1 is a perspective view of a motor module cover illustrating my new design, wherein the environment in which the cover may be used is illustrated by the broken lines;

FIG. 2 is a front elevational view of the motor module cover of FIG. 1;

FIG. 3 is a side elevational view thereof;

FIG. 4 is a top plan view thereof; and

FIG. 5 is a bottom plan view thereof.



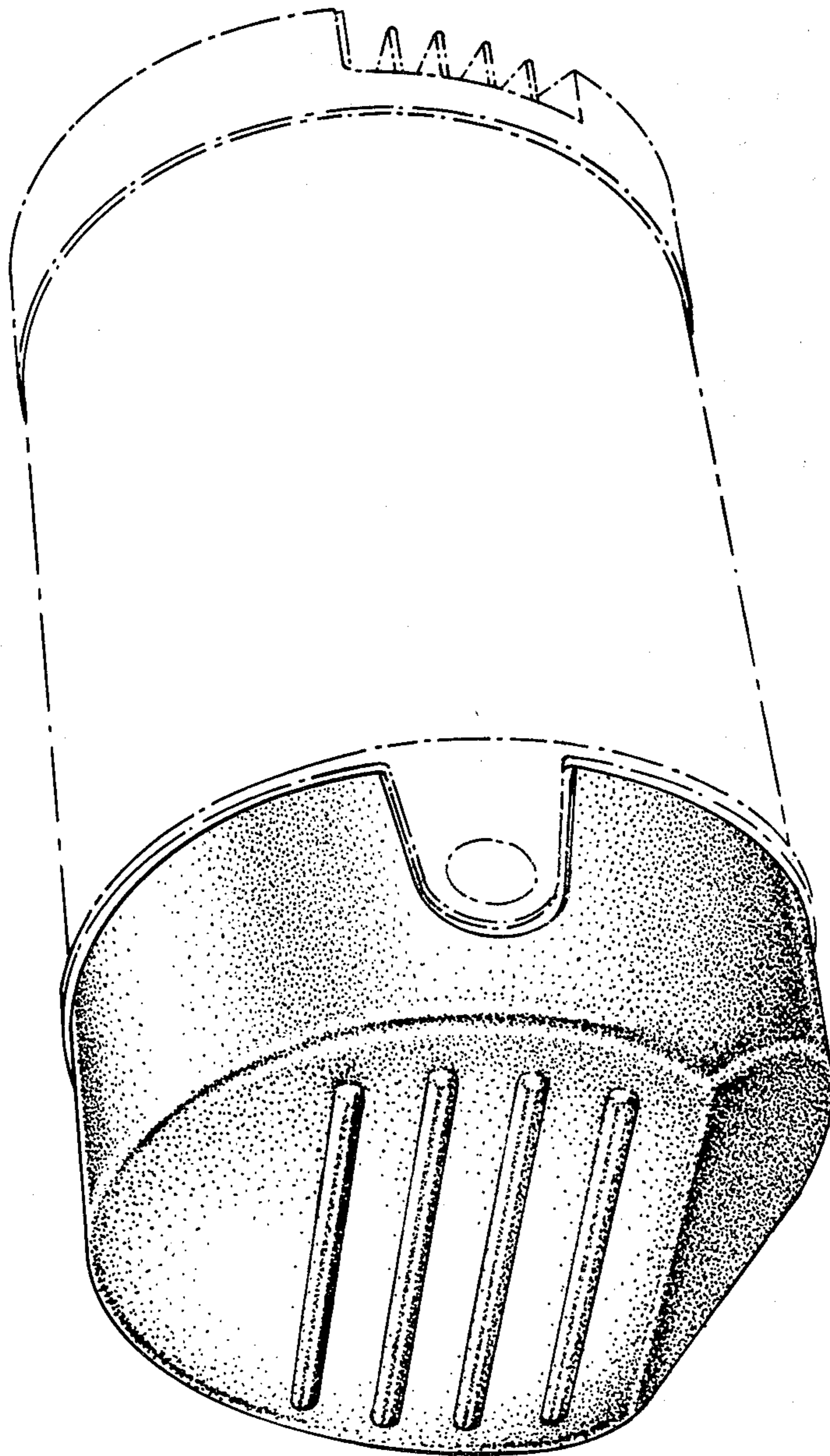


FIG. 1

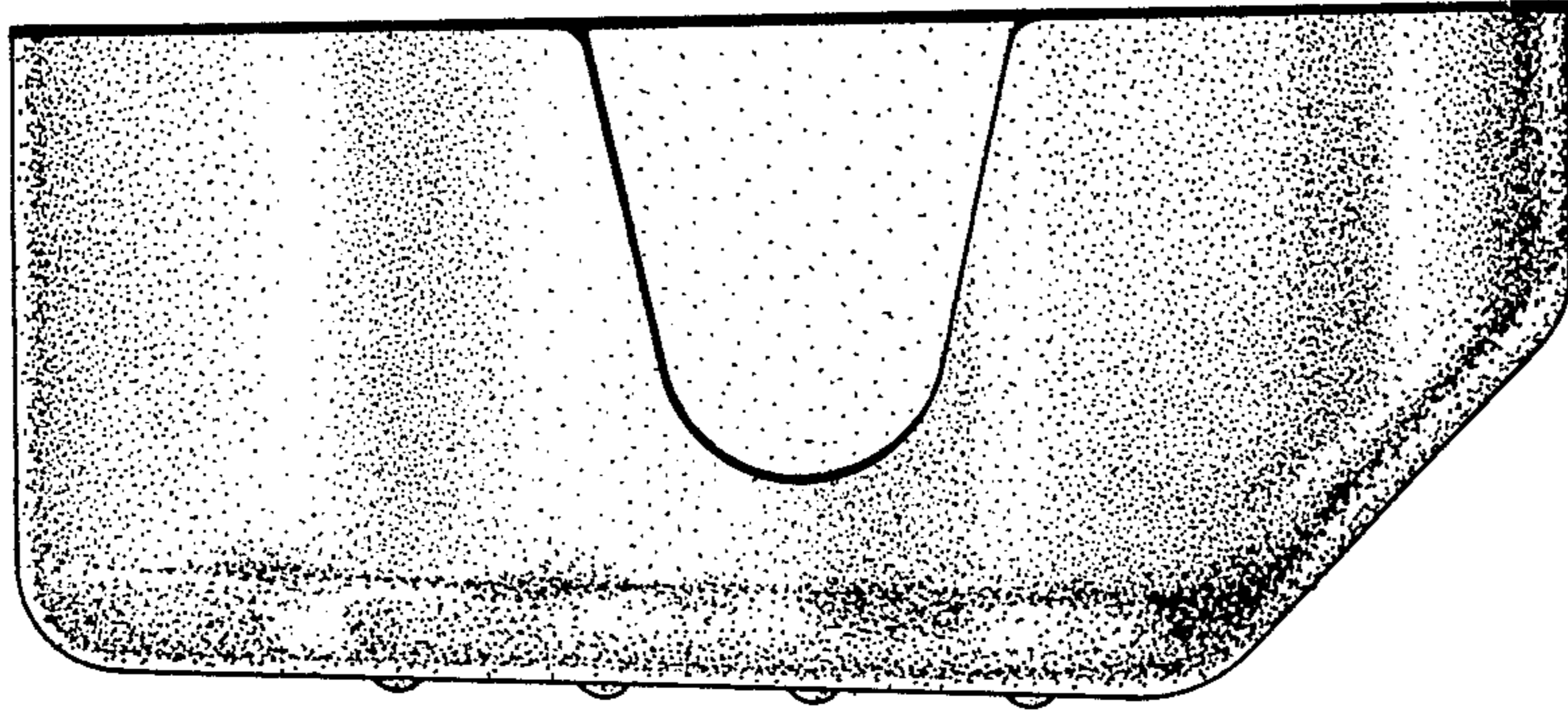


FIG. 3

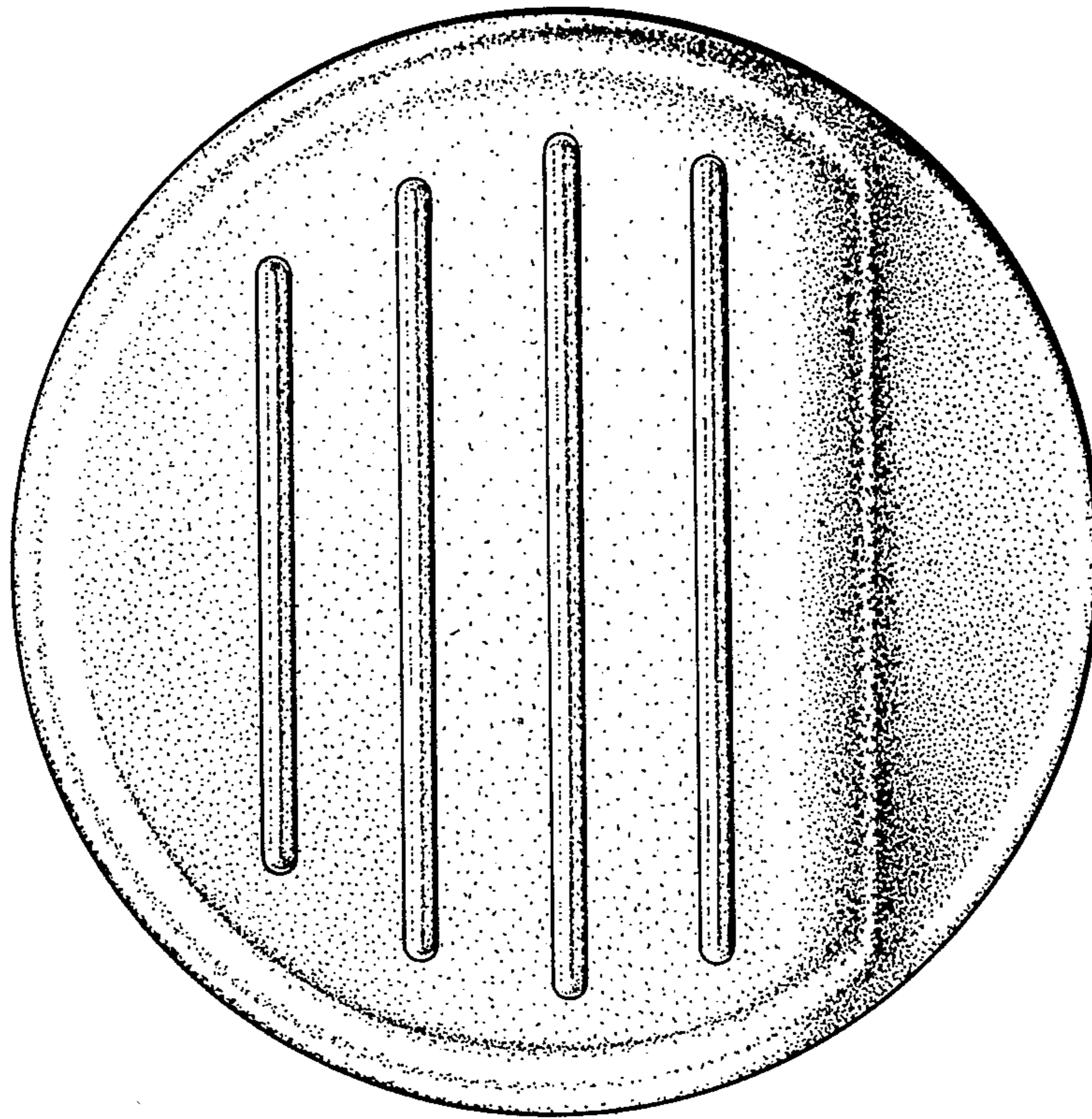


FIG. 2

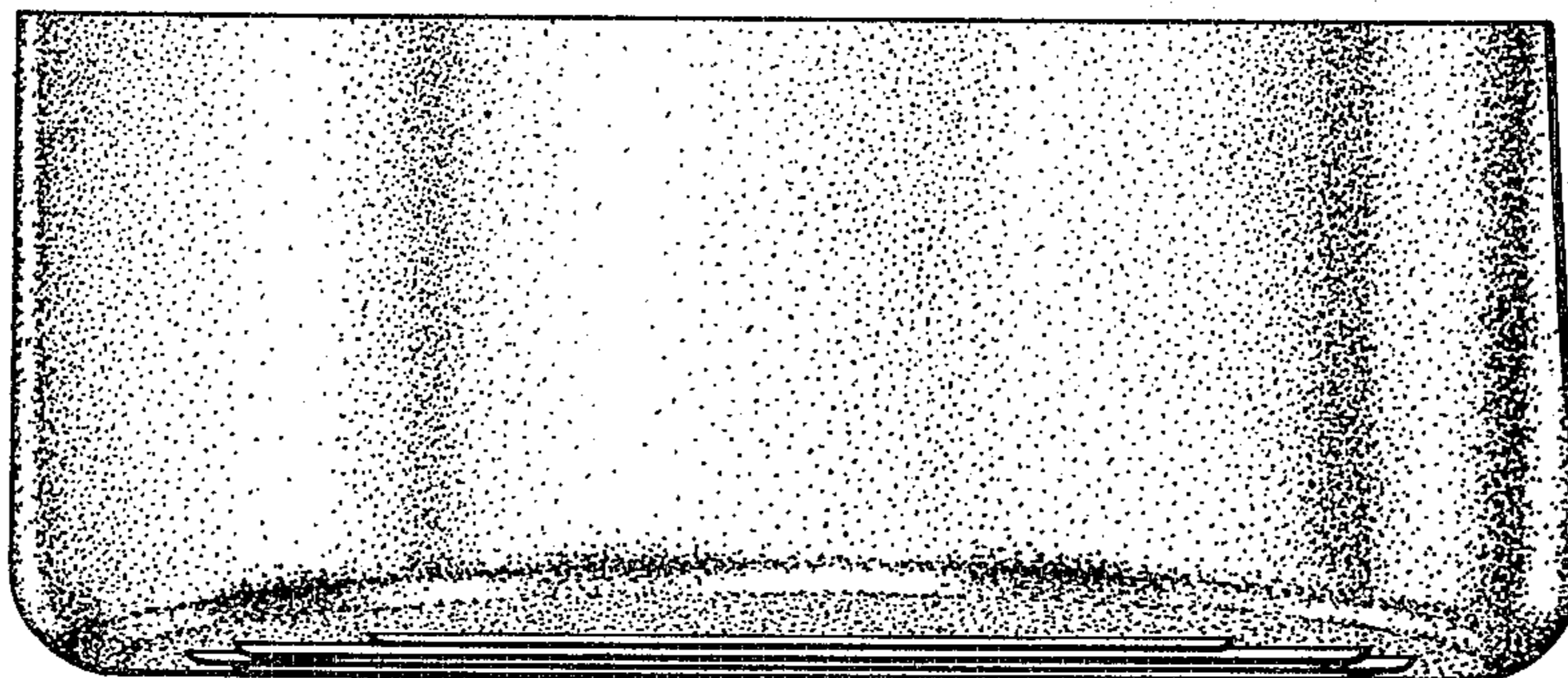


FIG. 4

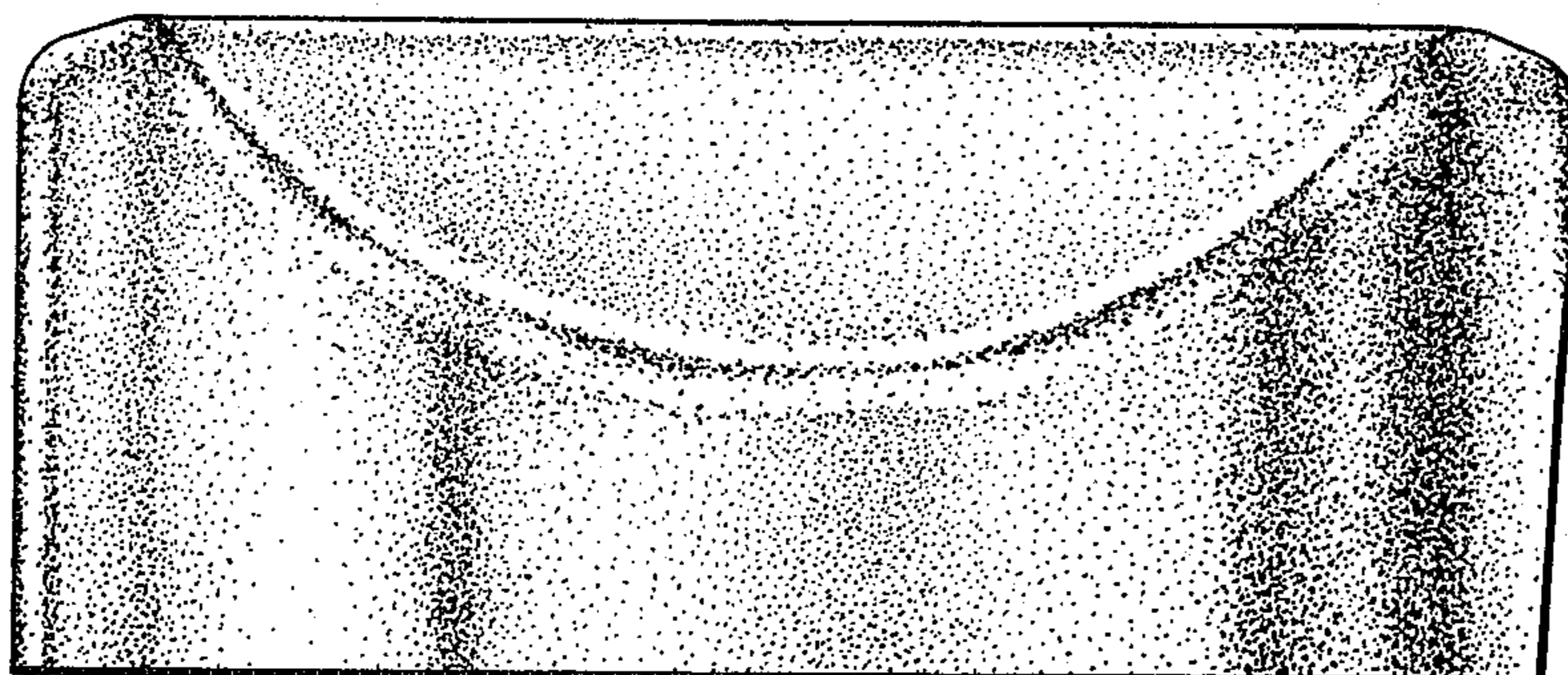


FIG. 5