

# United States Patent [19]

Turkleson

[11] Patent Number: **Des. 275,475**

[45] Date of Patent: **\*\* Sep. 11, 1984**

[54] **AUTOMOBILE BUMPER GUARD**

2,175,502 10/1939 Campbell ..... 293/143 X

[76] Inventor: **Ken Turkleson, 30 E. Prater, Sparks, Nev. 89431**

*Primary Examiner*—Catherine E. Kemper  
*Attorney, Agent, or Firm*—Herbert C. Schulze

[\*\*] Term: **14 Years**

[57] **CLAIM**

[21] Appl. No.: **325,137**

The ornamental design for an automobile bumper guard, as shown.

[22] Filed: **Nov. 27, 1981**

[52] U.S. Cl. .... **D12/169**

[58] Field of Search ..... D12/167, 169; 293/142, 293/143

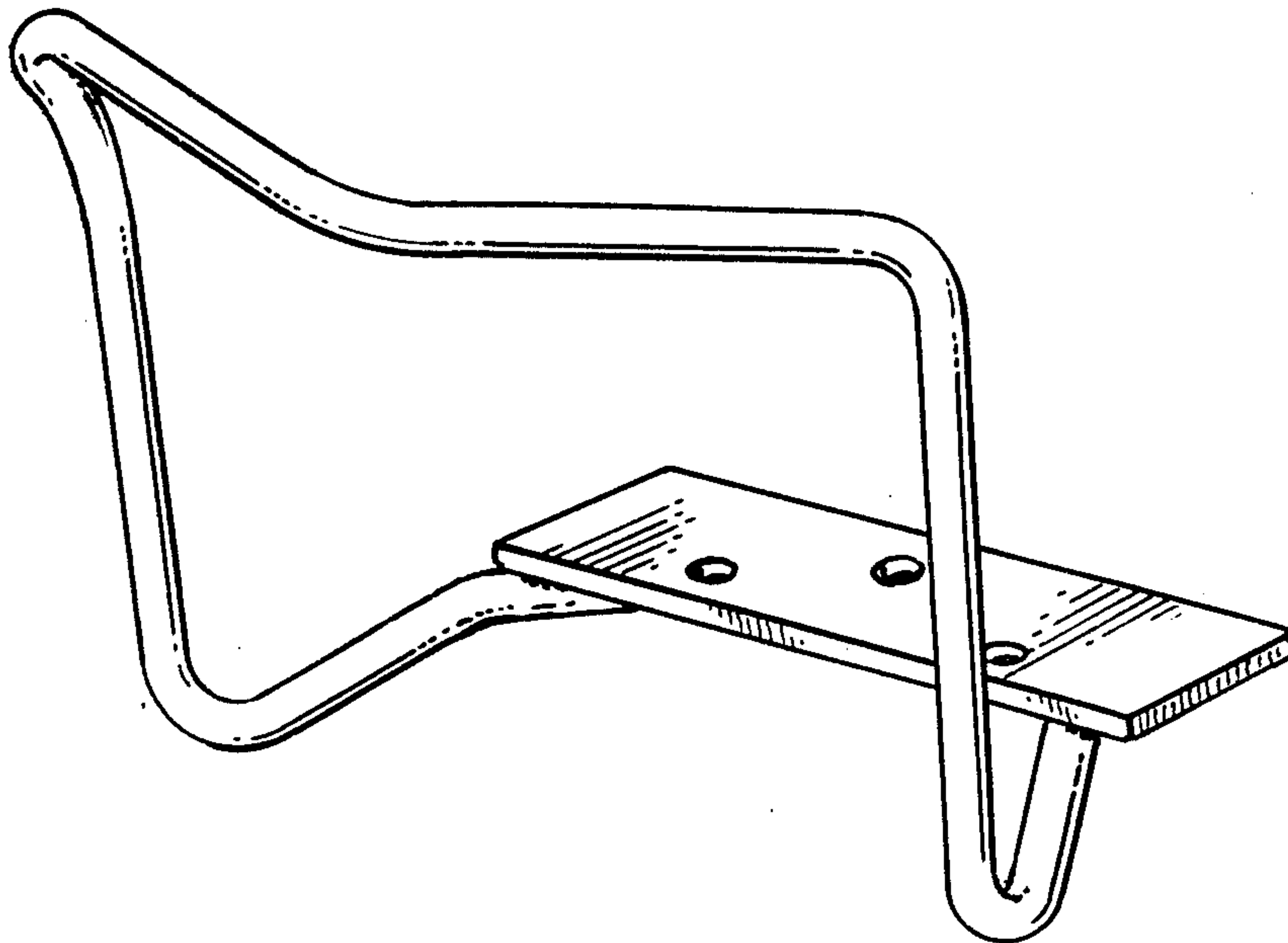
**DESCRIPTION**

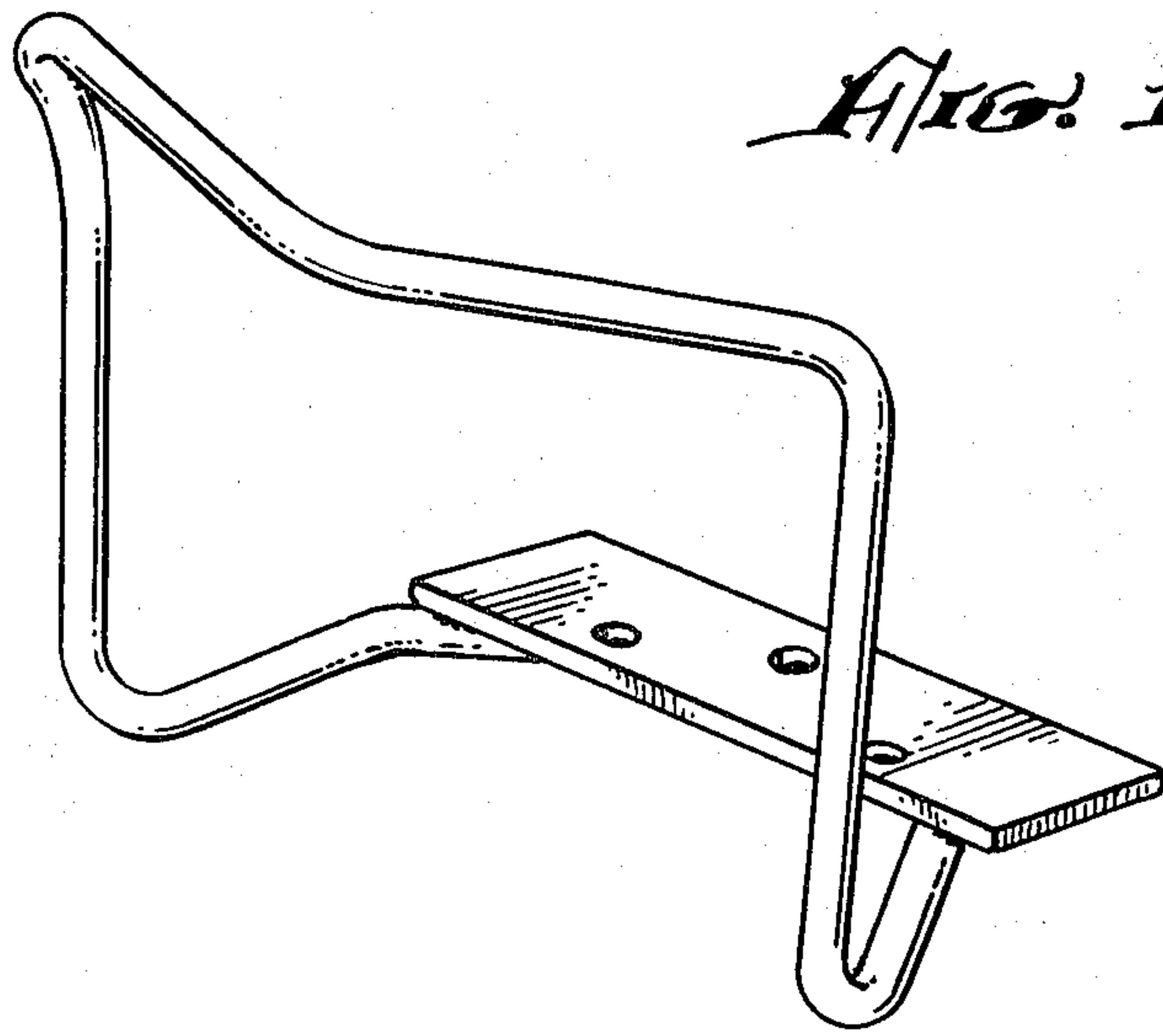
[56] **References Cited**

**U.S. PATENT DOCUMENTS**

2,117,519 5/1938 Snyder ..... 293/143 X  
2,142,069 12/1938 Colley ..... 293/143 X

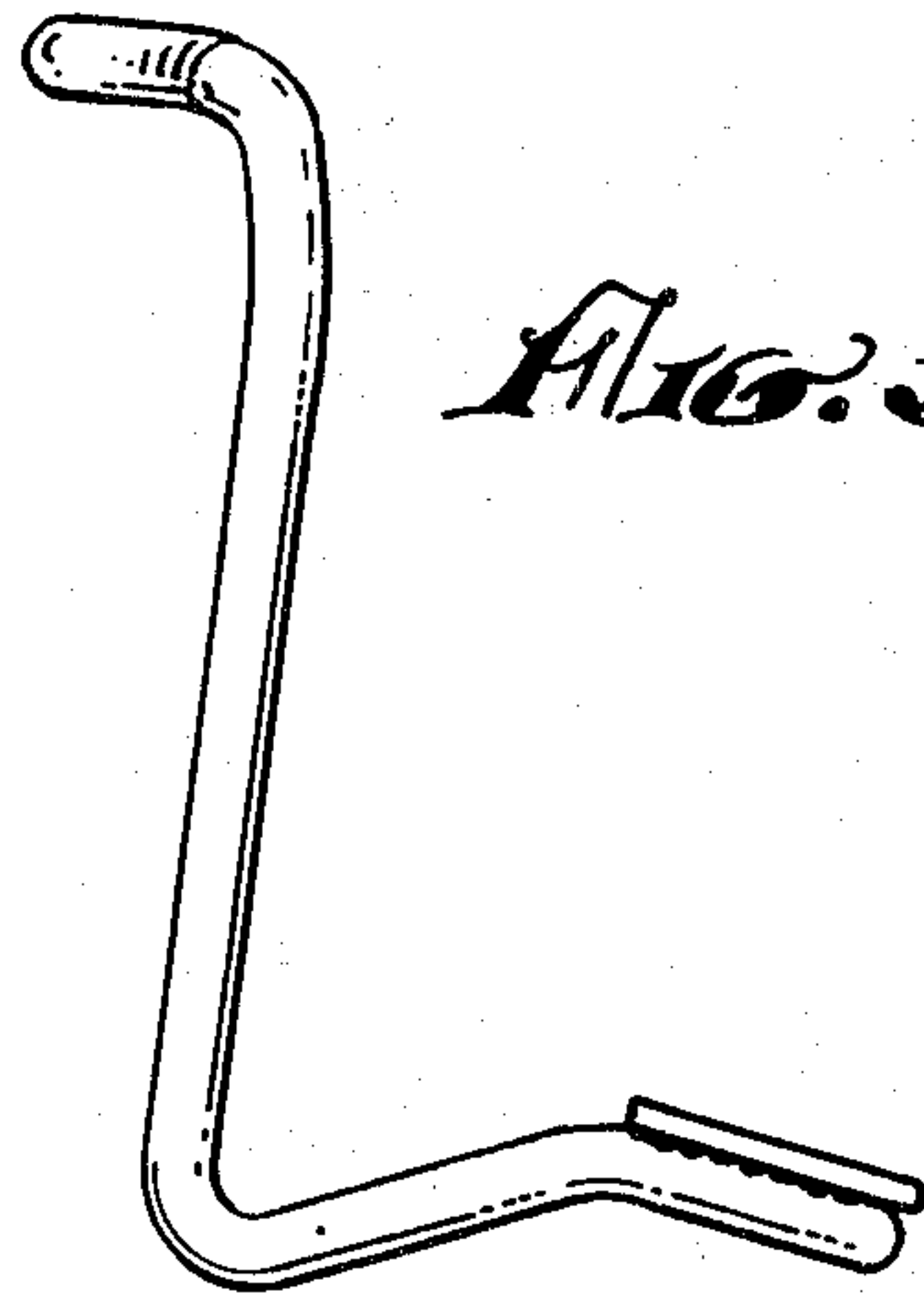
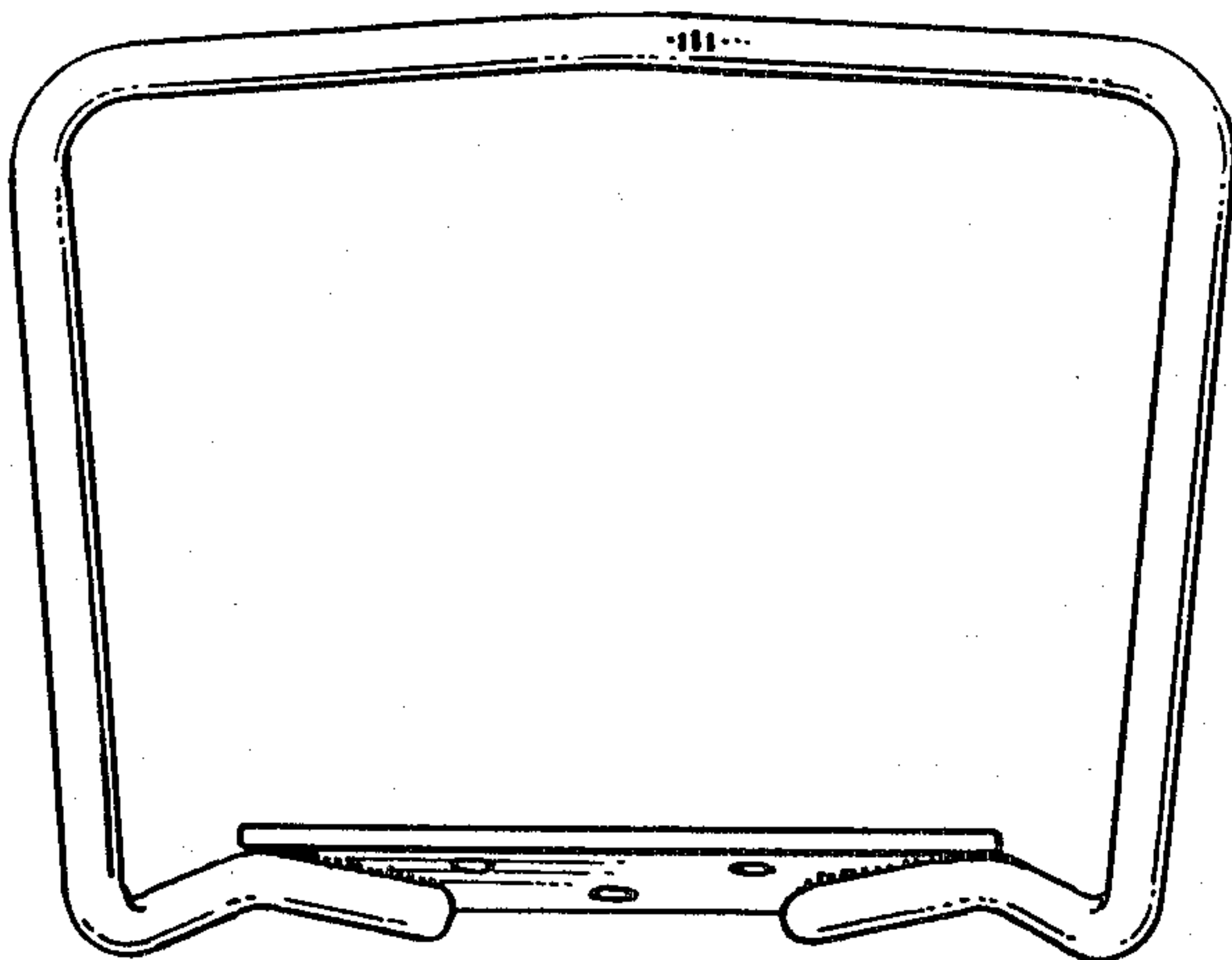
FIG. 1 is a top front perspective view of an automobile bumper guard, showing my new design;  
FIG. 2 is a front elevational view thereof;  
FIG. 3 is a right side elevational view thereof;  
FIG. 4 is a top plan view thereof;  
FIG. 5 is a bottom plan view thereof;  
FIG. 6 is a left side elevational view thereof;  
FIG. 7 is a rear elevational view thereof.



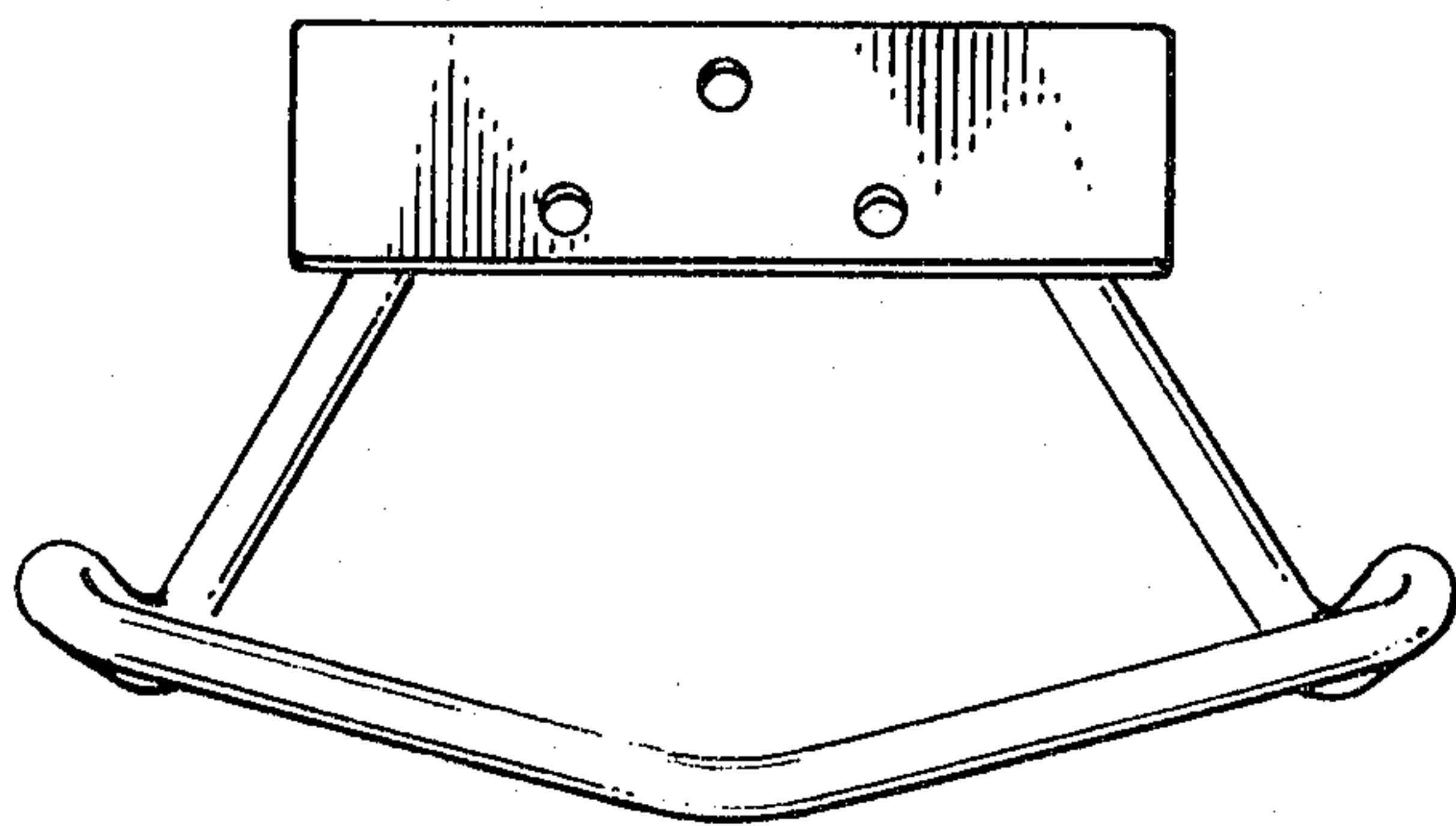


*FIG. 1.*

*FIG. 2.*

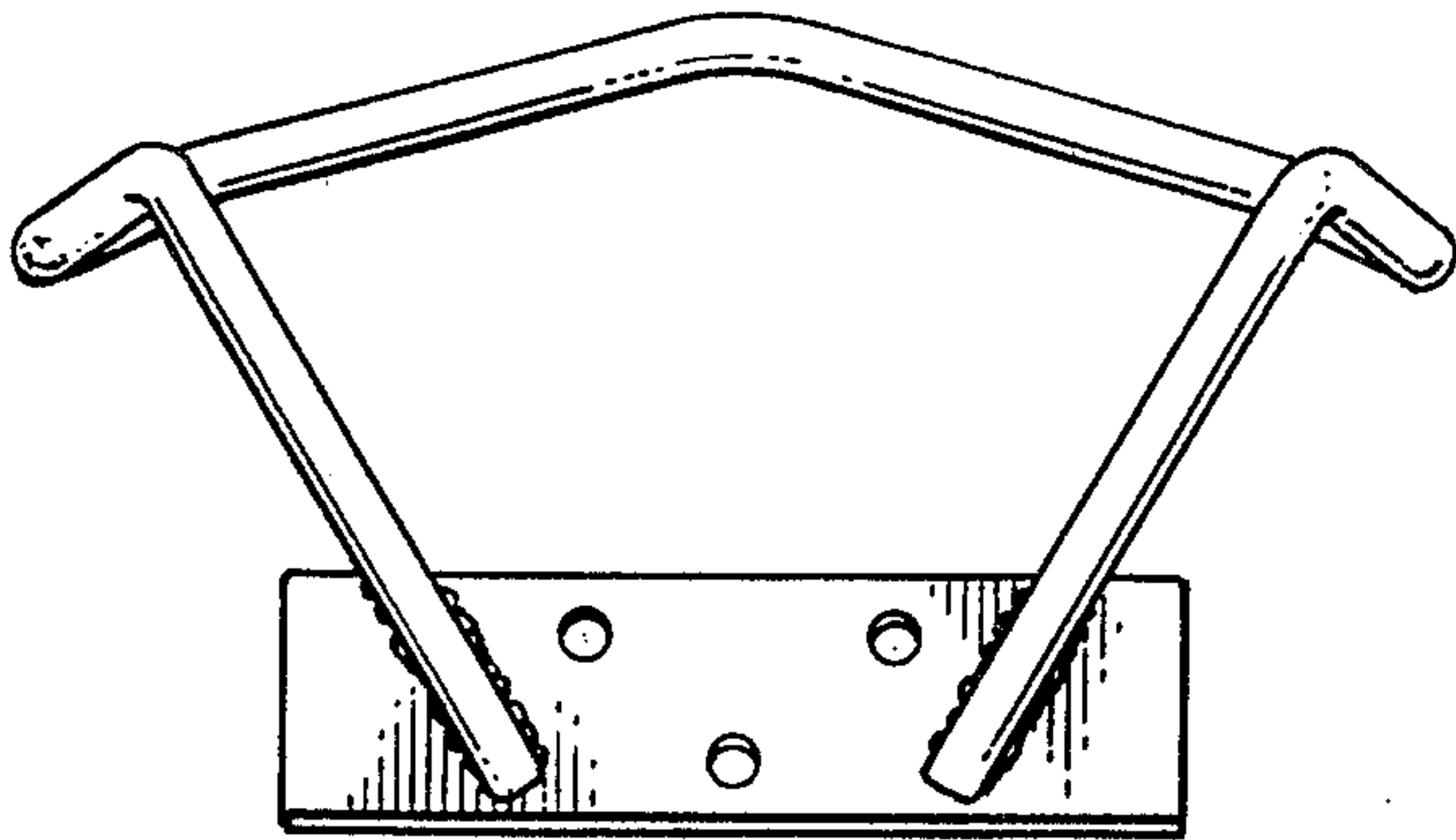


*FIG. 3.*



*FIG. 4.*

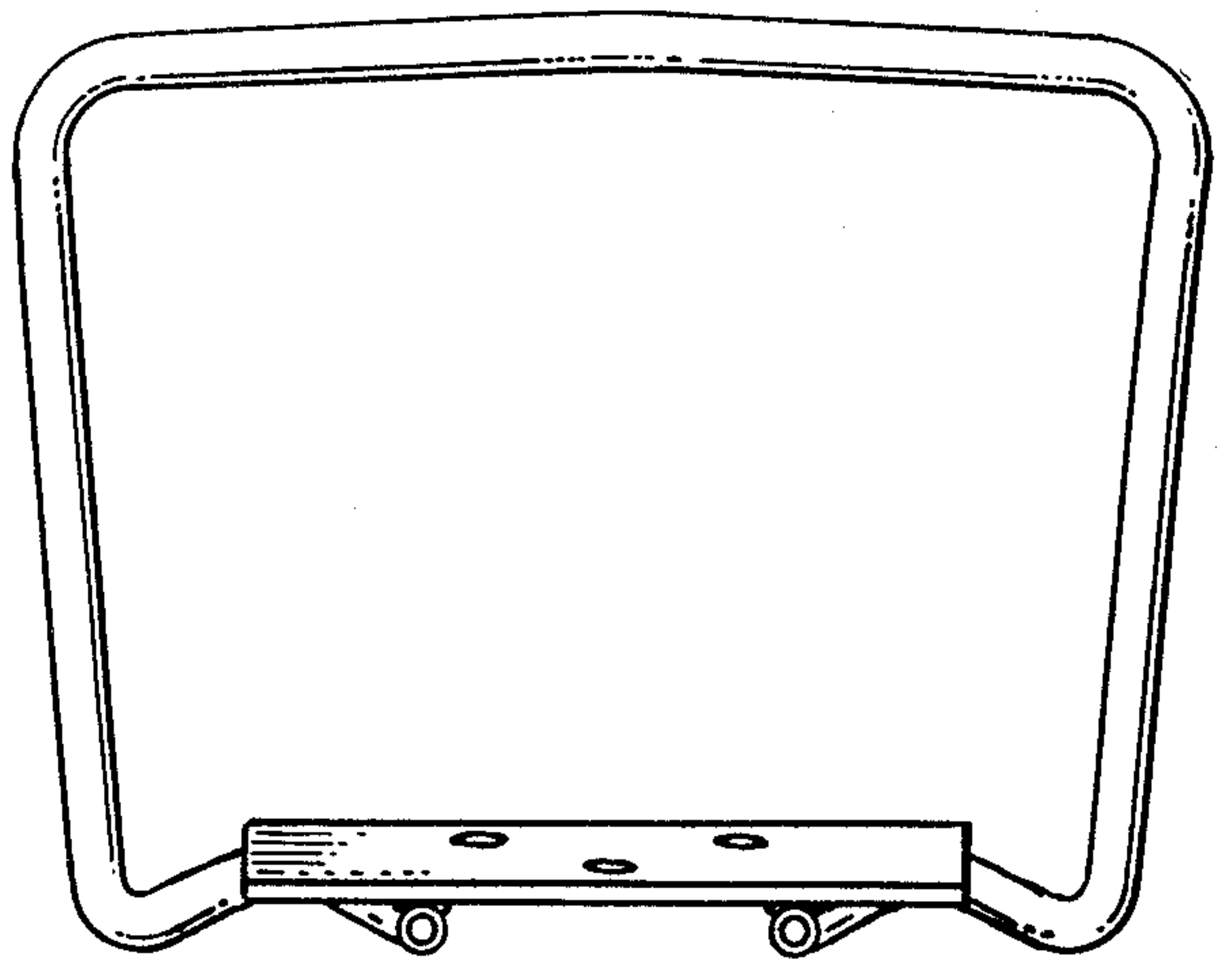
*FIG. 5.*



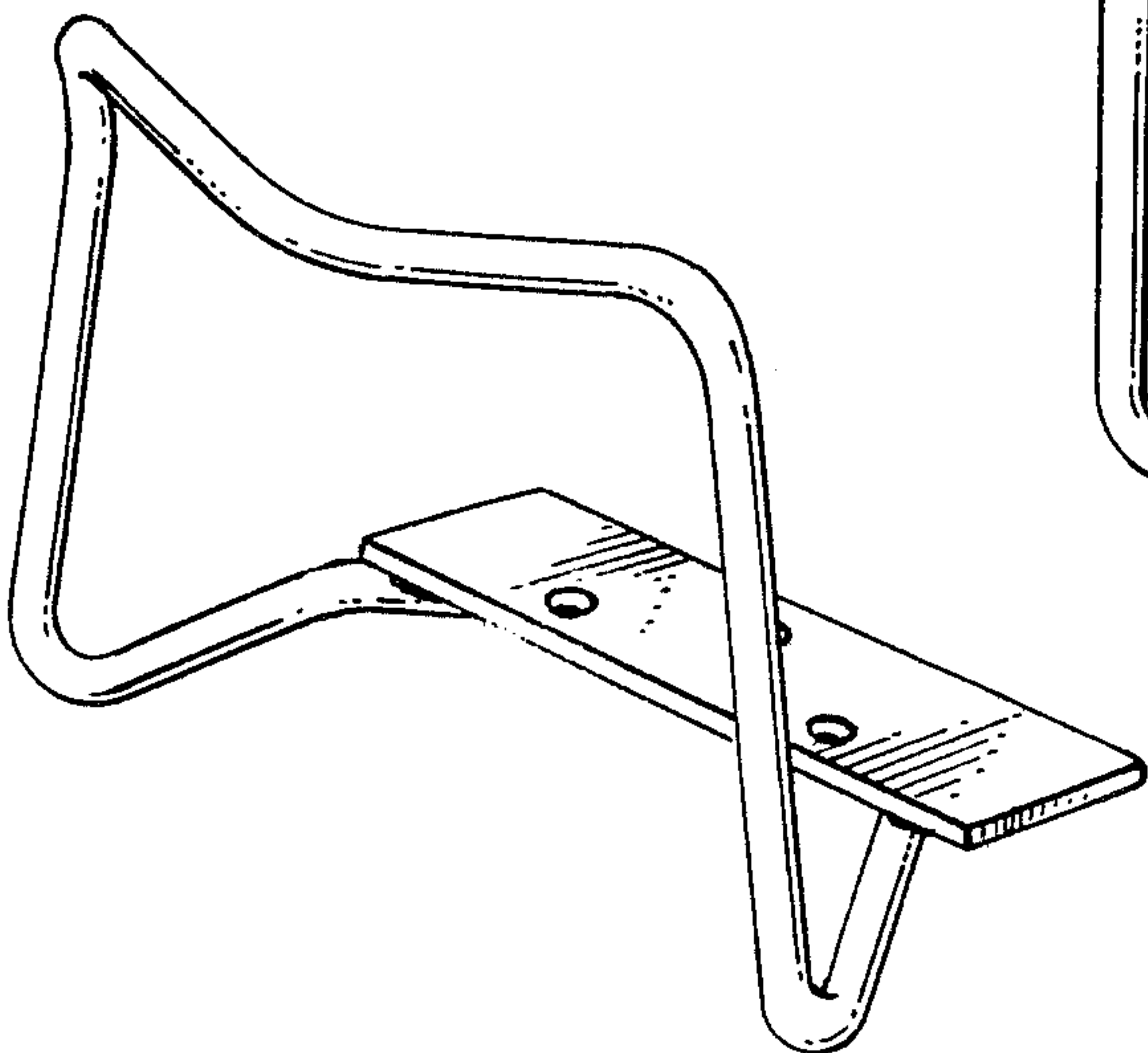
*FIG. 6.*



*FIG. 7.*



*FIG. 8.*



*FIG. 9.*

