

[54] **MOTORCYCLE FUEL PUMP COVER**

[75] **Inventor: Alwin J. Stahel, St. Paul, Minn.**

[73] **Assignee: Drag Specialties, Inc., Minnetonka, Minn.**

[\*\*] **Term: 14 Years**

[21] **Appl. No.: 380,060**

[22] **Filed: May 20, 1982**

[52] **U.S. Cl. .... D12/114**

[58] **Field of Search ..... D12/114; 180/219;  
280/289 R**

[56] **References Cited**

**PUBLICATIONS**

1971 Harley-Davidson Accessories Catalog, p. 12,

Voltage Regulator Cover, A, & Generator End Cover, E.

*Primary Examiner*—James M. Gandy  
*Attorney, Agent, or Firm*—Kinney & Lange

[57] **CLAIM**

The ornamental design for a motorcycle fuel pump cover, substantially as shown.

**DESCRIPTION**

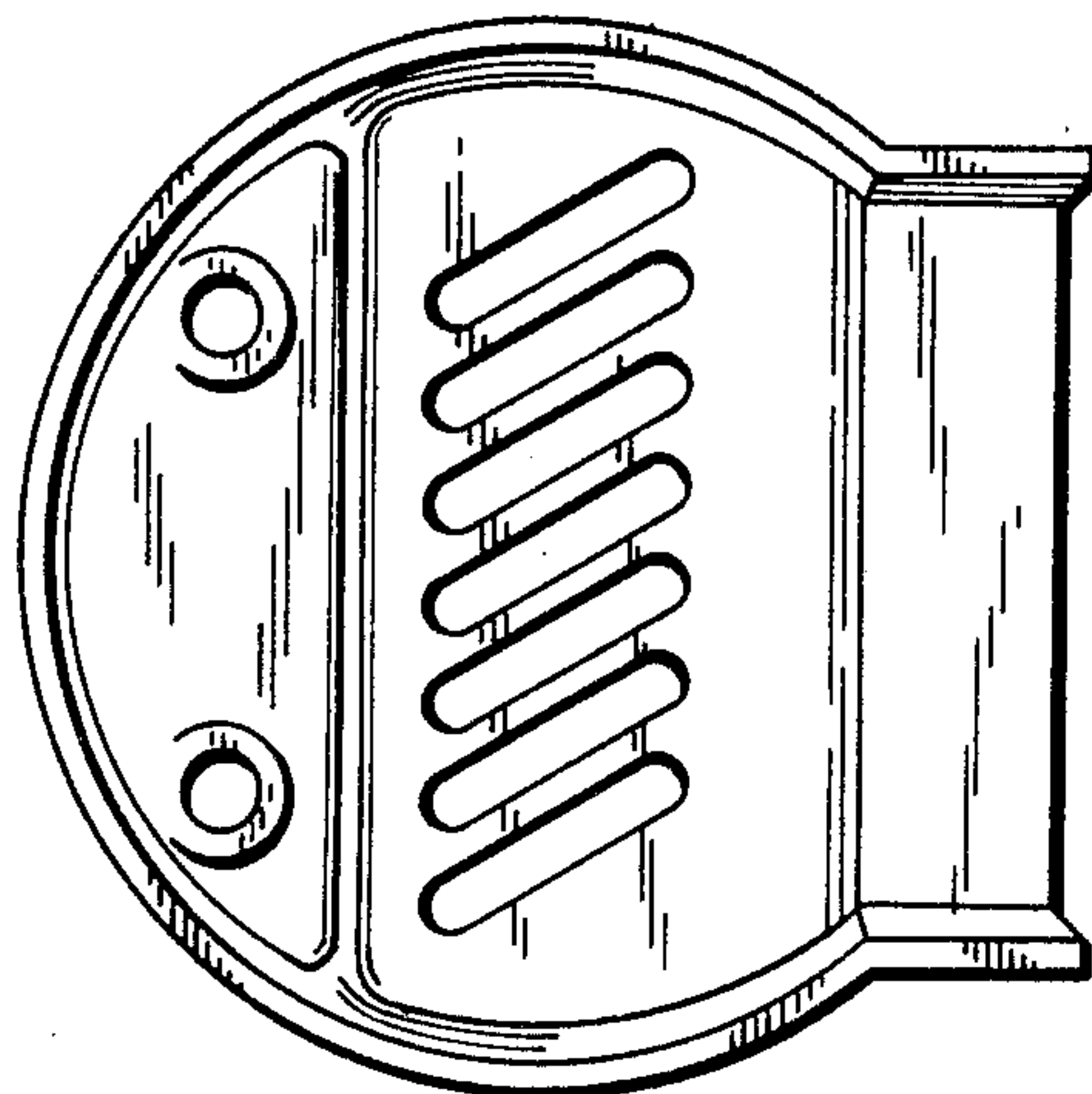
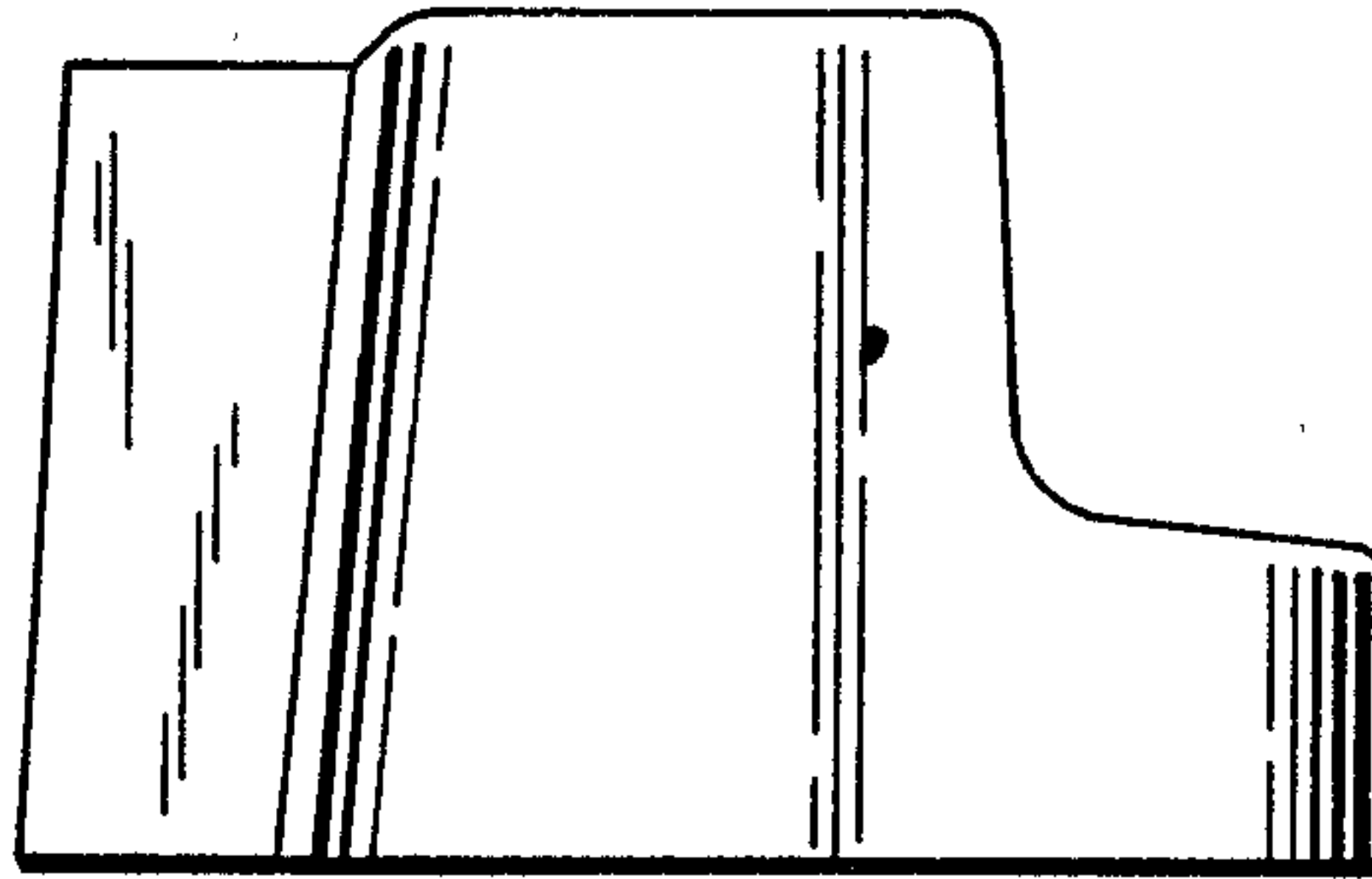
FIG. 1 is a front elevation view of the motorcycle fuel pump cover;

FIG. 2 is a back elevation view thereof;

FIG. 3 is a right side elevation view; the left side elevation view being a mirror image thereof;

FIG. 4 is a top plan view thereof; and

FIG. 5 is a bottom plan view thereof.



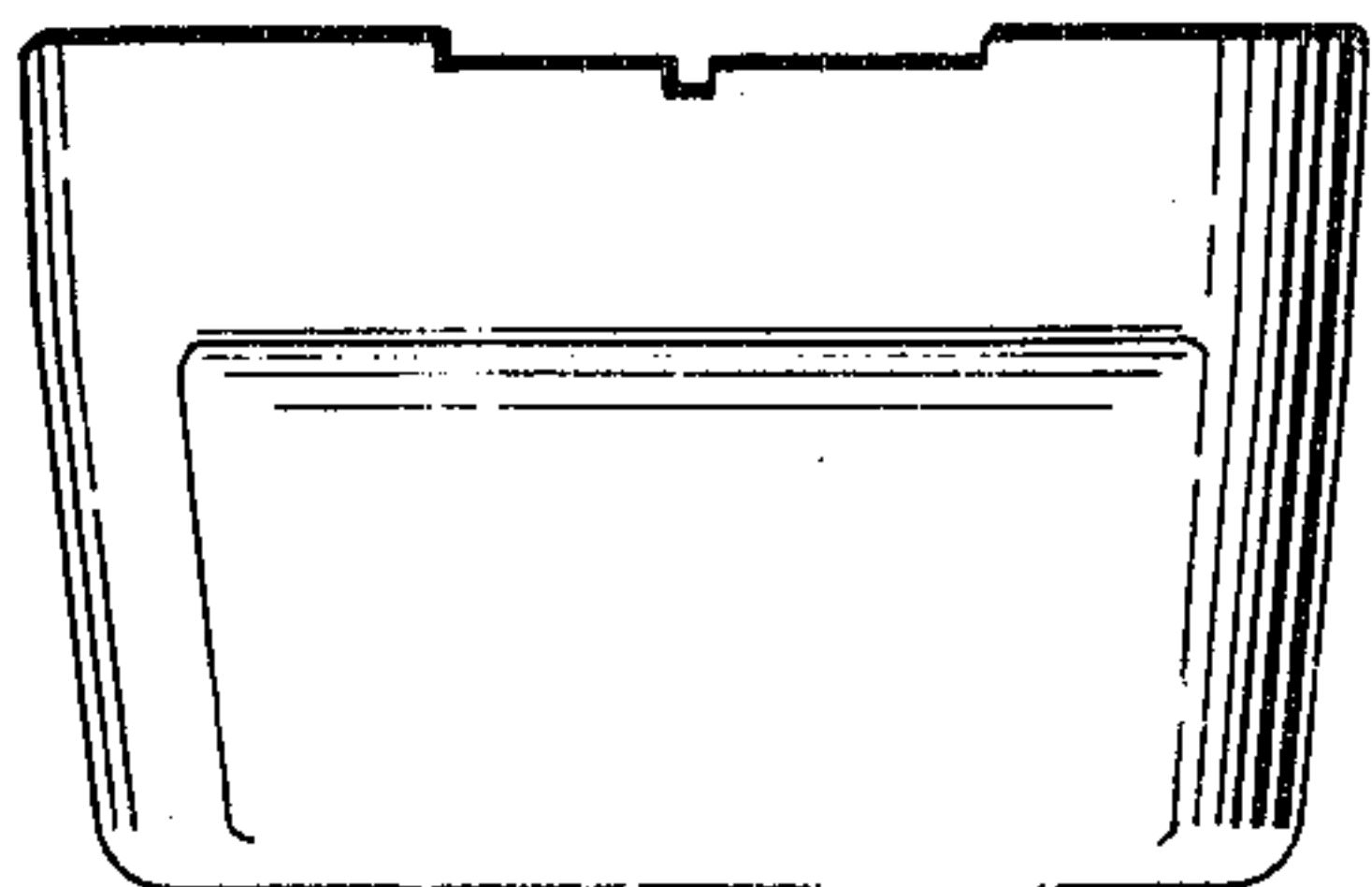


FIG 1

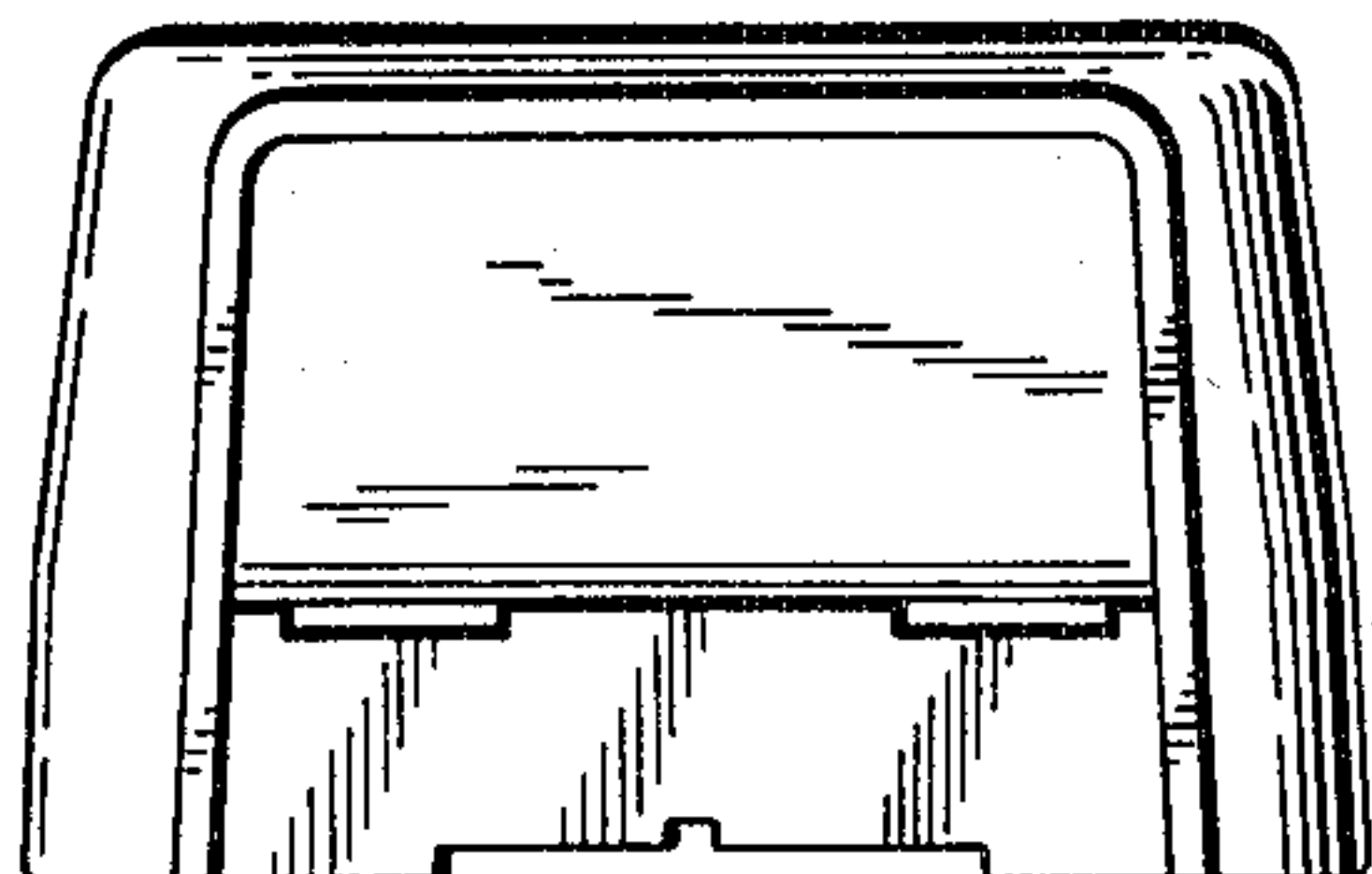


FIG 2

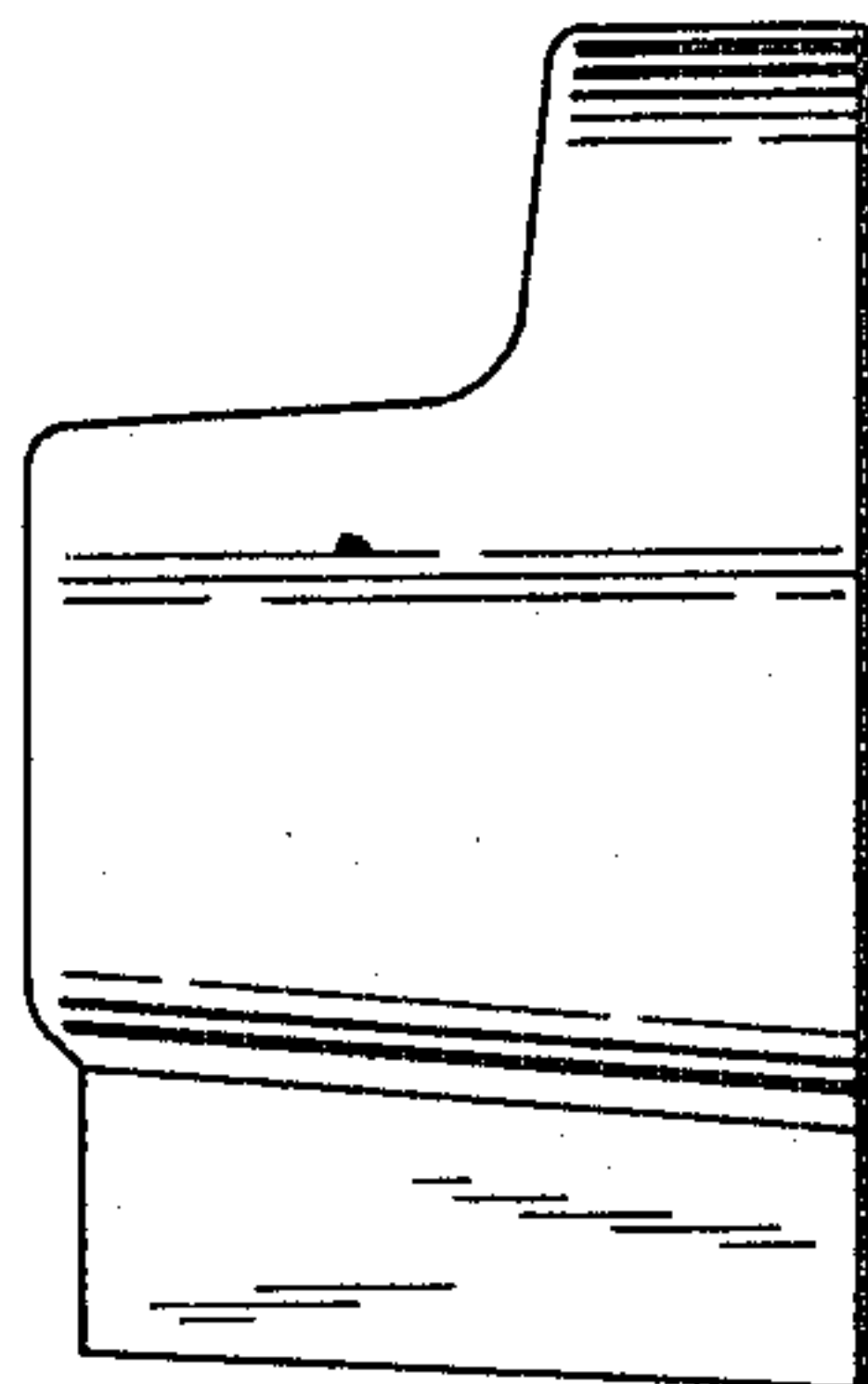


FIG 3

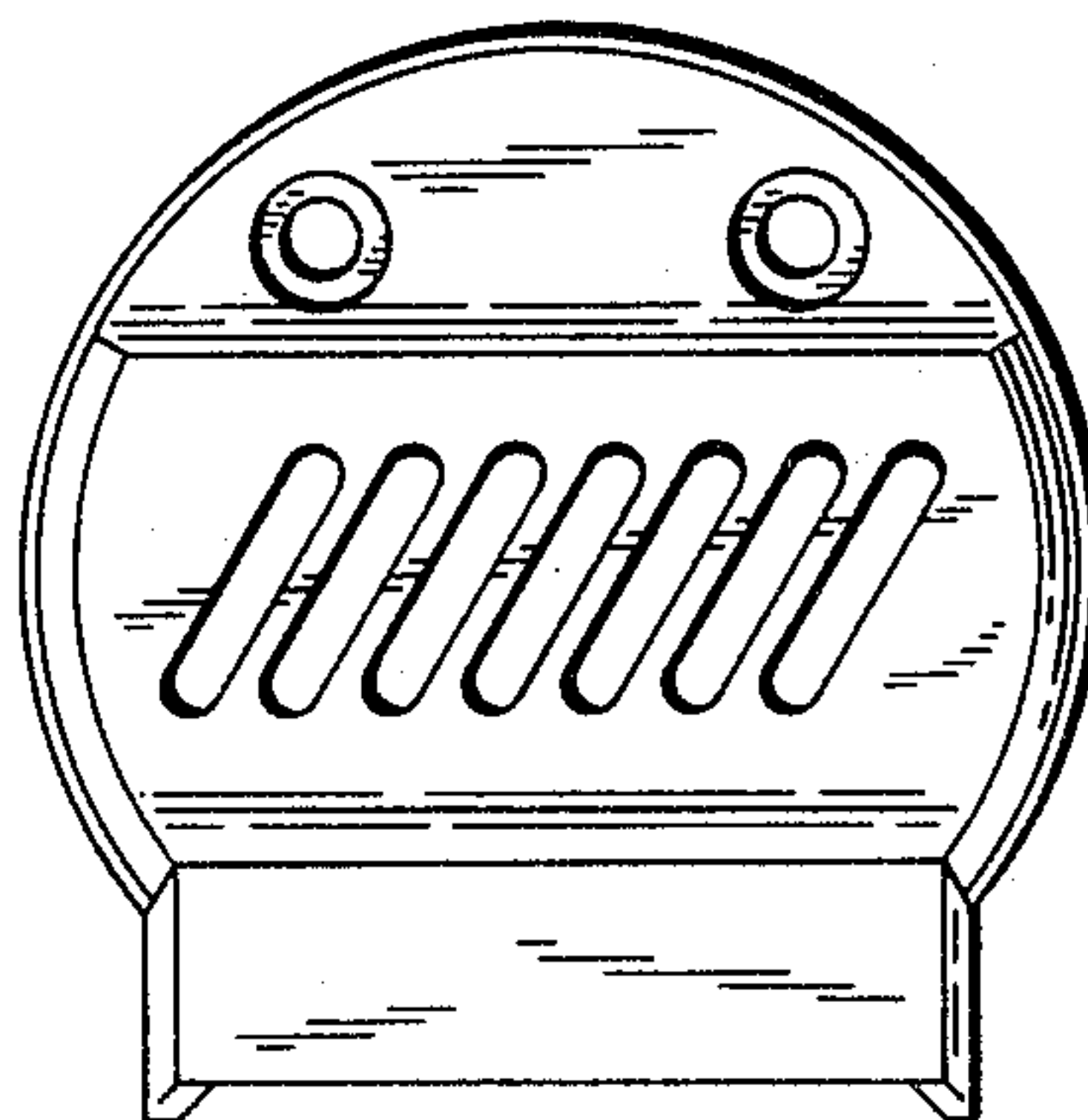


FIG 4

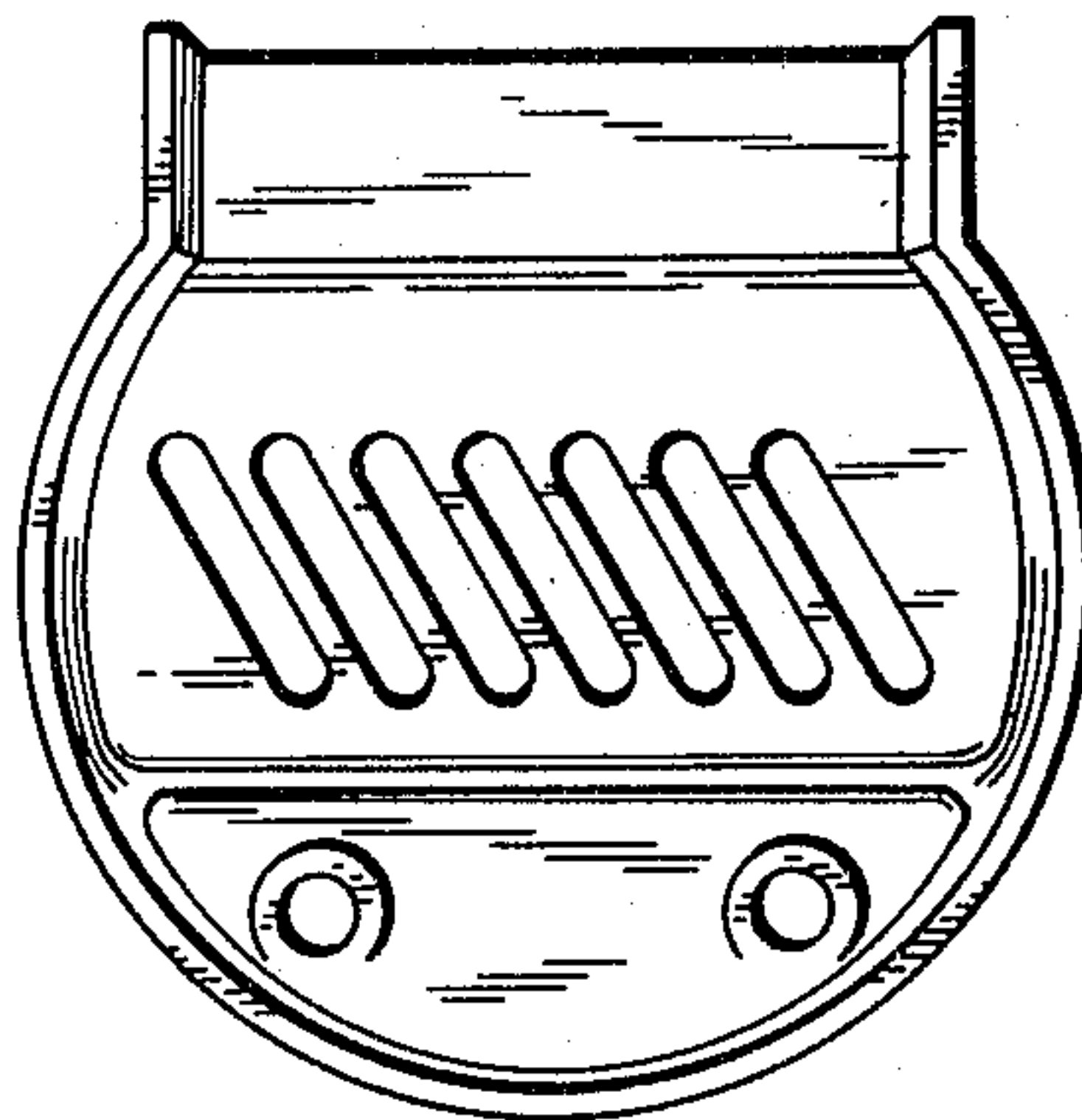


FIG 5