

[54] **FRAME FOR MOTORCYCLE**
[75] **Inventor: Ichiro Koizumi, Tokorozawa, Japan**
[73] **Assignee: Honda Giken Kogyo Kabushiki Kaisha, Tokyo, Japan**
[**] **Term: 14 Years**
[21] **Appl. No.: 397,466**
[22] **Filed: Jul. 12, 1982**
[30] **Foreign Application Priority Data**
Jan. 12, 1982 [JP] Japan 57/885
[52] **U.S. Cl. D12/110**
[58] **Field of Search D12/110; 180/219**

[56] **References Cited**
U.S. PATENT DOCUMENTS
4,139,072 2/1979 Dawson 180/219
Primary Examiner—James M. Gandy
Attorney, Agent, or Firm—Armstrong, Nikaido, Marmelstein & Kubovcik

[57] **CLAIM**
The ornamental design for a frame for motorcycle, as shown and described.

DESCRIPTION
FIG. 1 is a left side elevational view of a frame for motorcycle, showing my new design;
FIG. 2 is a right side elevational view thereof;
FIG. 3 is a front elevational view thereof;
FIG. 4 is a rear elevational view thereof;
FIG. 5 is a top plan view thereof;
FIG. 6 is a bottom plan view thereof; and
FIG. 7 is a perspective view thereof.

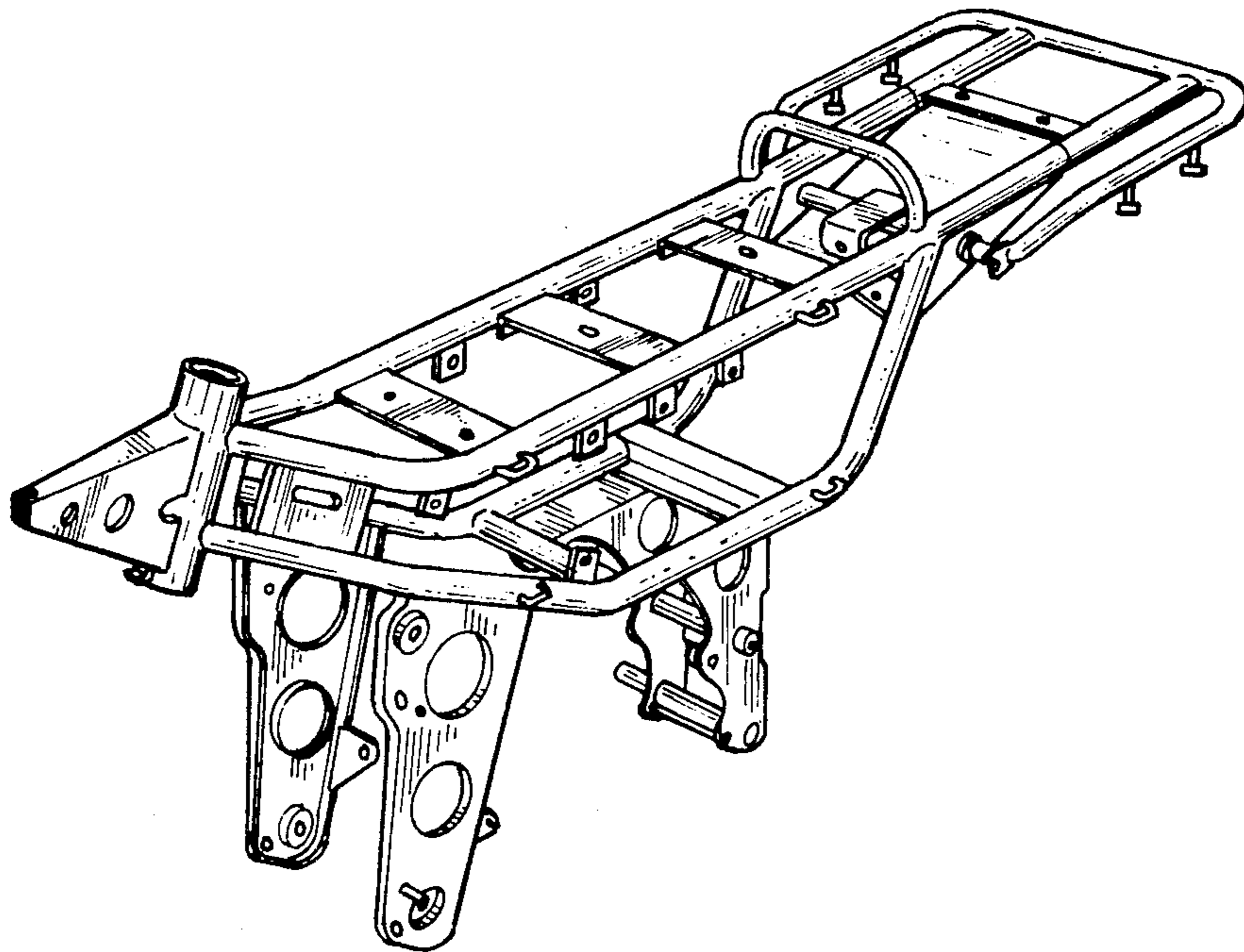


FIG. 1

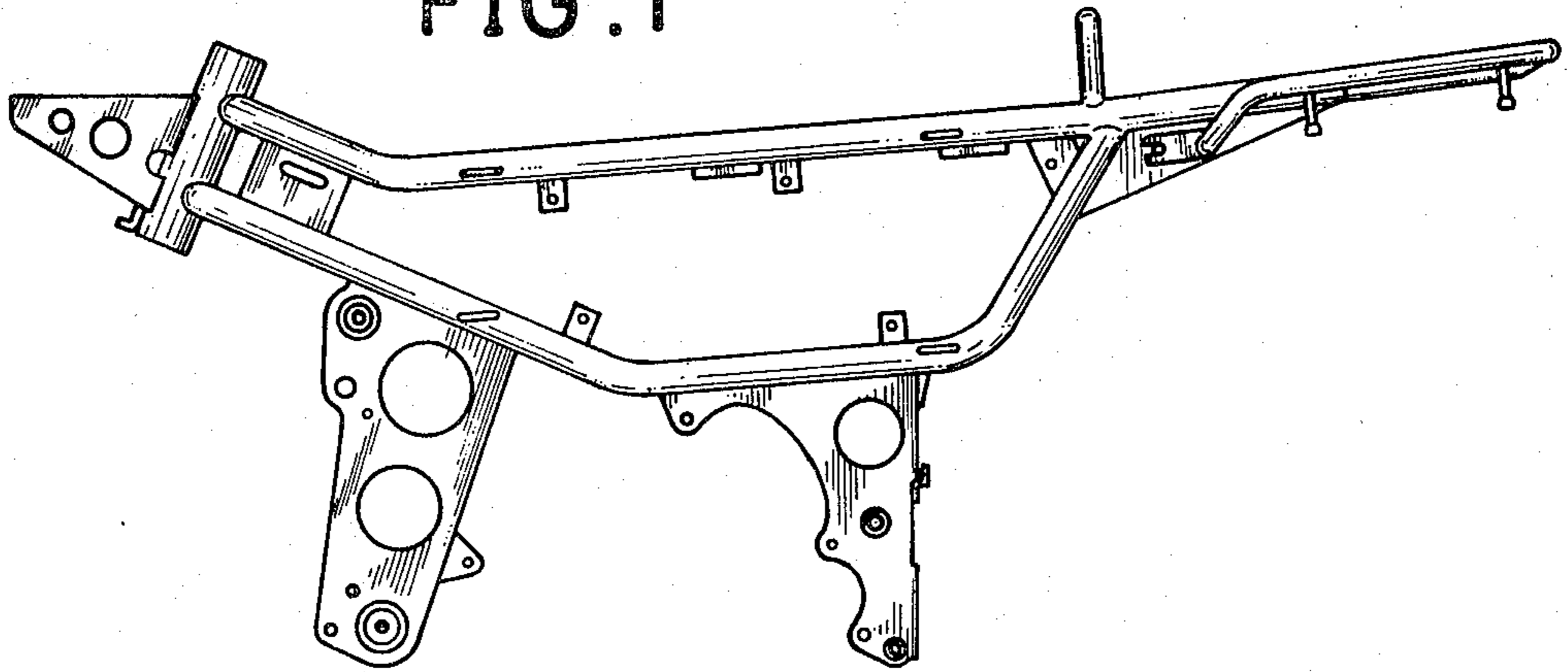


FIG. 2

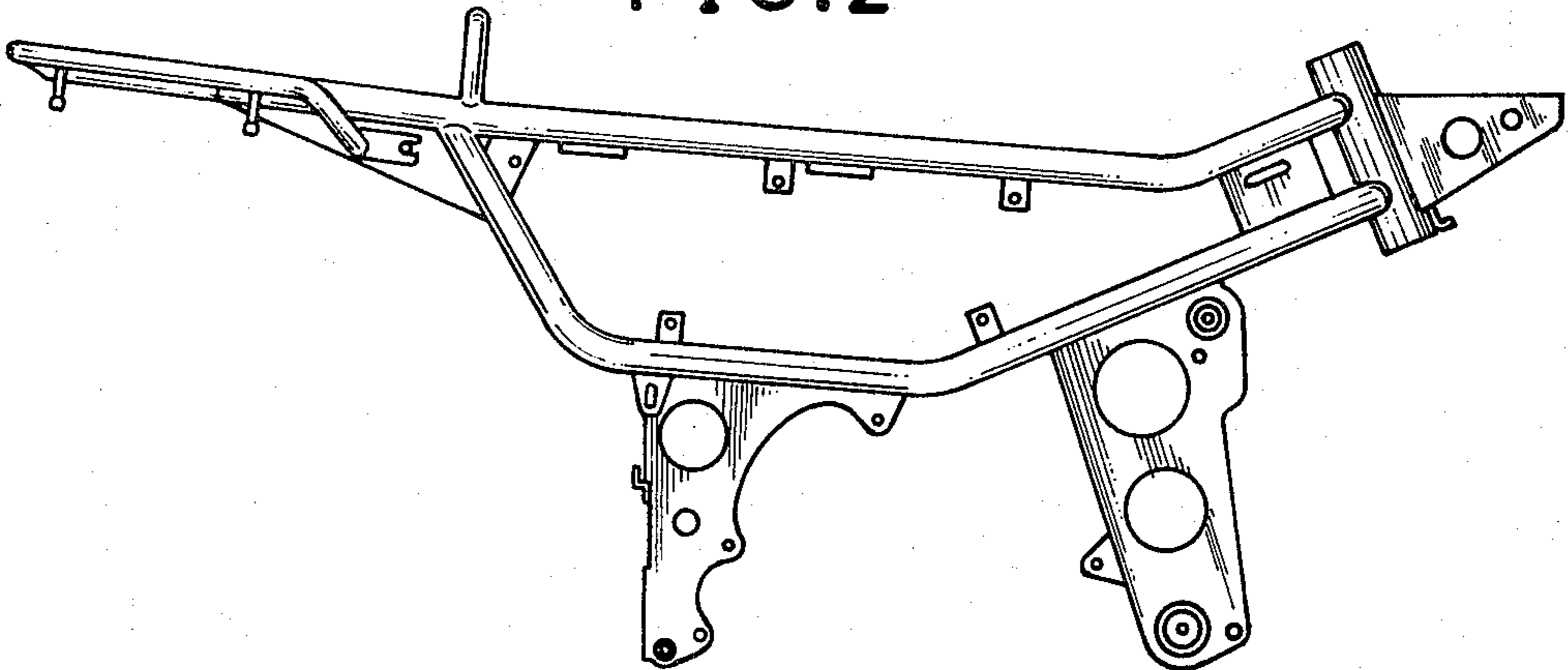


FIG. 3

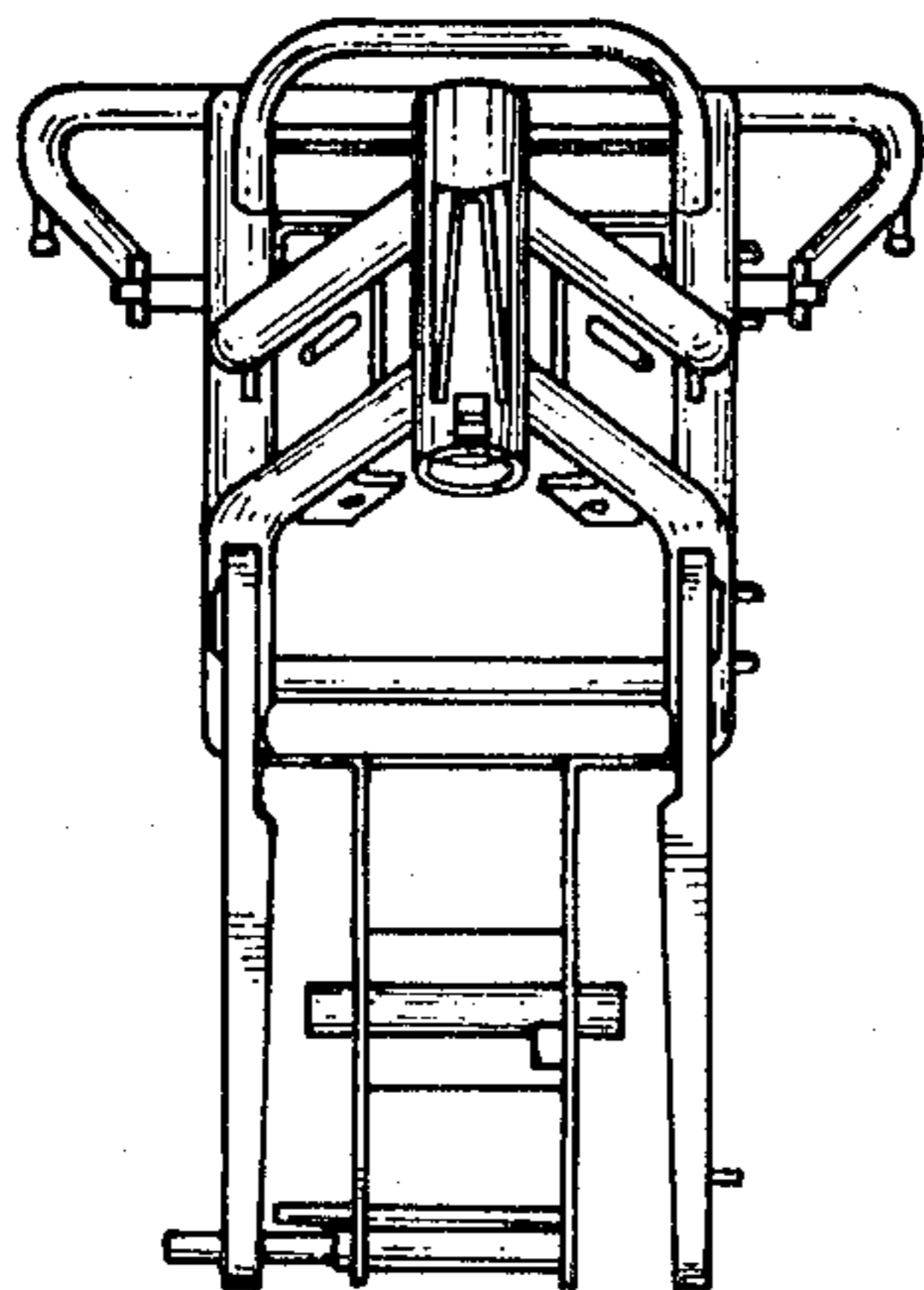


FIG. 4

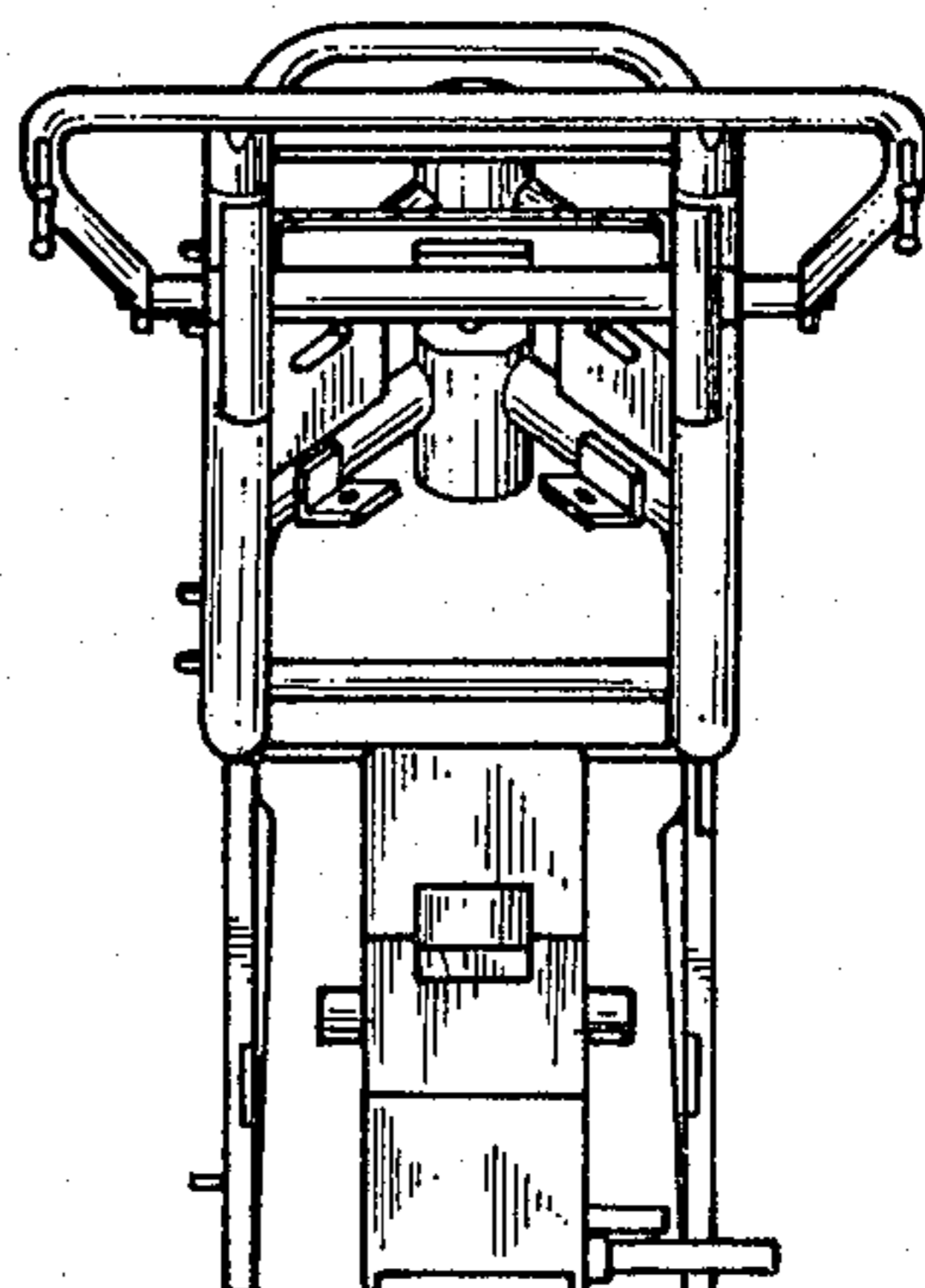


FIG. 5

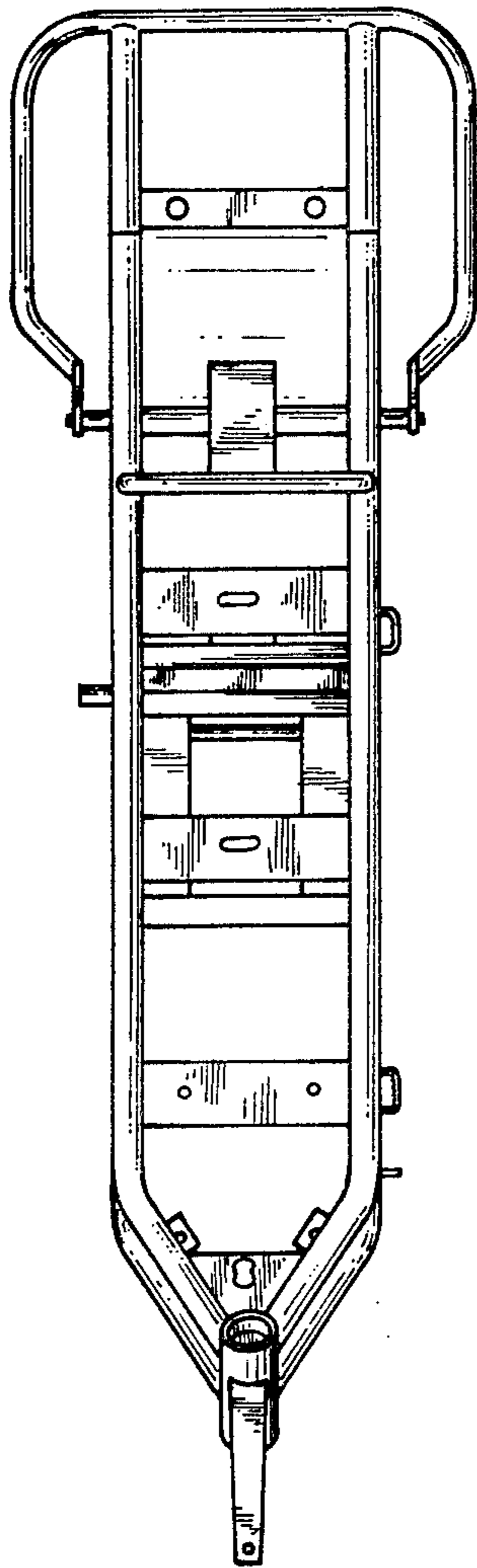


FIG. 6

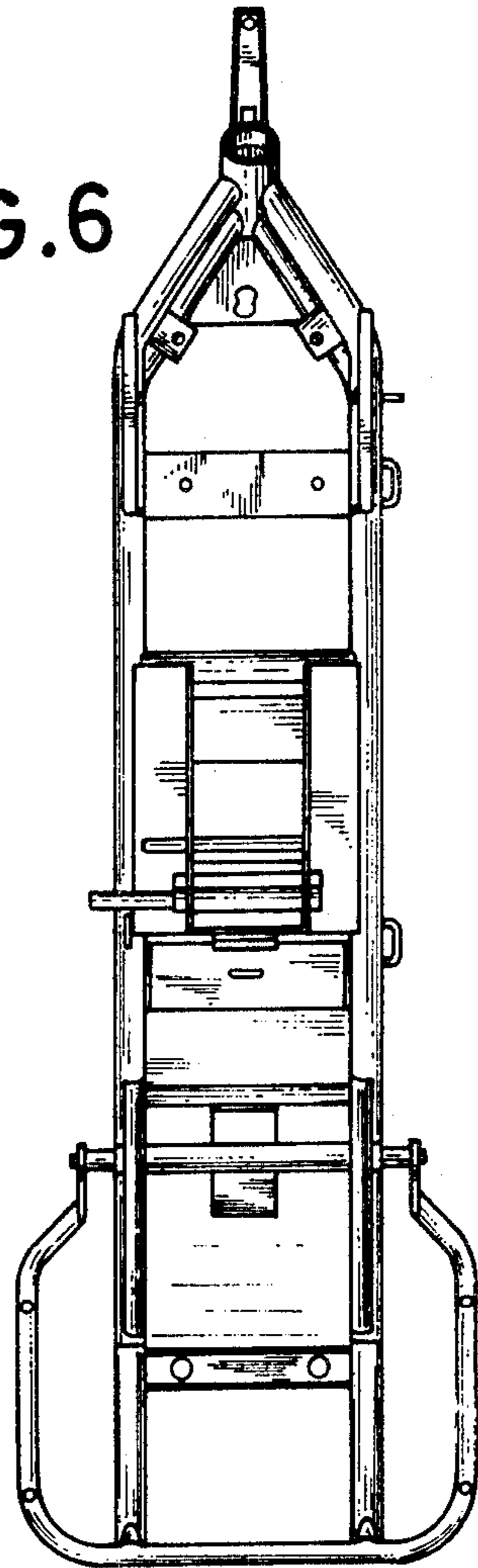


FIG. 7

