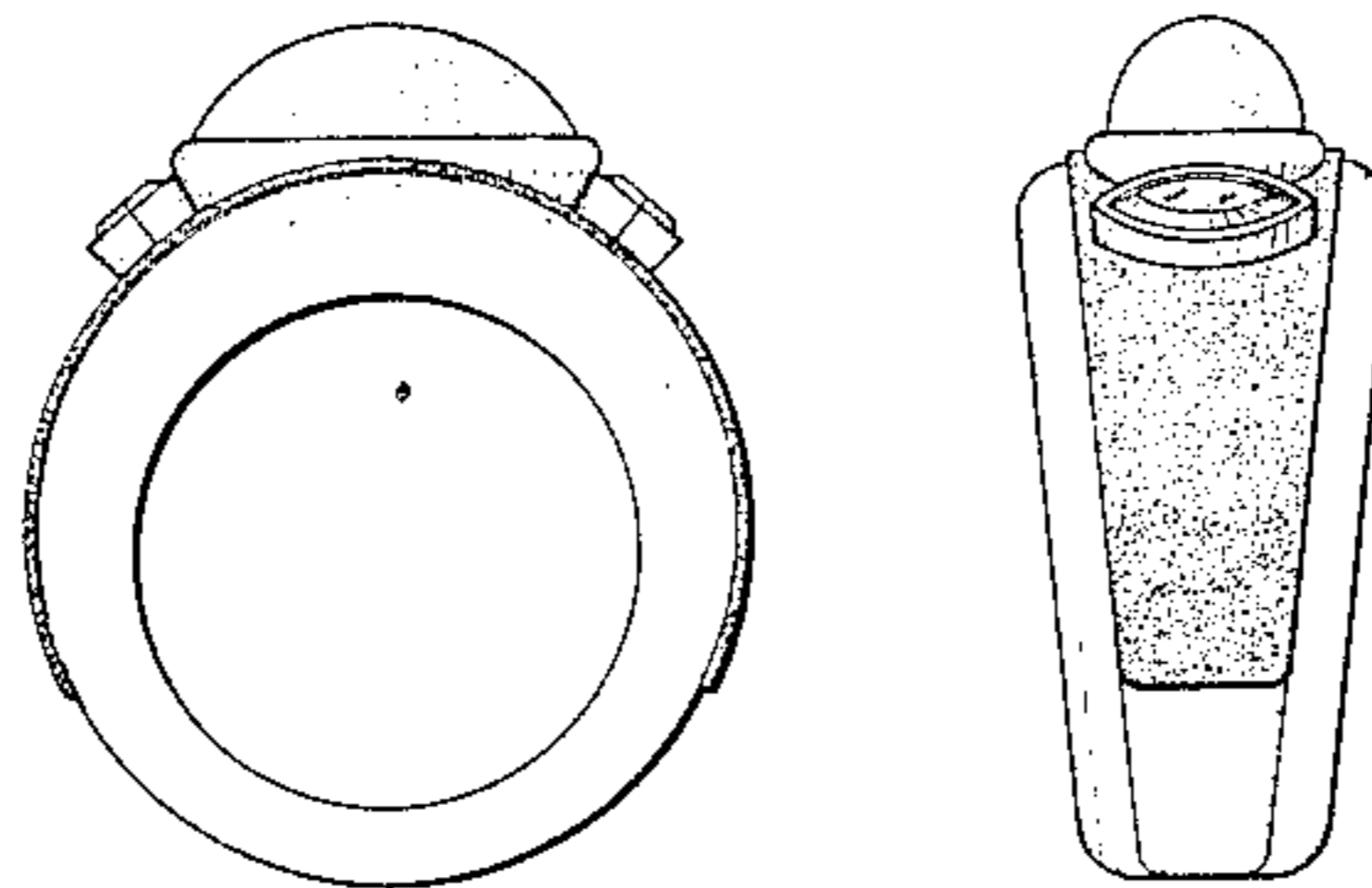


[54] **RING**
[75] **Inventor: Marina Bulgari, Athens, Greece**
[73] **Assignee: Marina B Creation Societe Anonyme, Vaduz, Liechtenstein**
[**] **Term: 14 Years**
[21] **Appl. No.: 319,082**
[22] **Filed: Nov. 6, 1981**
[30] **Foreign Application Priority Data**
May 8, 1981 [IT] Italy 35800B/81
[52] **U.S. Cl. D11/34**
[58] **Field of Search D11/1-4, D11/26-39, 90-92; 63/1 R-2, 11, 31, 26-28, 15-15.8**

[56] **References Cited**
U.S. PATENT DOCUMENTS
D. 83,953 4/1931 Carlson D11/34
D. 91,680 3/1934 Mertens D11/29 X
Primary Examiner—Louis S. Zarfes
Attorney, Agent, or Firm—Karl F. Ross; Herbert Dubno

[57] **CLAIM**
The ornamental design for a ring, as shown.

DESCRIPTION
FIG. 1 is a front elevational view of a ring showing my new design;
FIG. 2 is a side elevational thereof; and
FIG. 3 is a top plan view thereof.



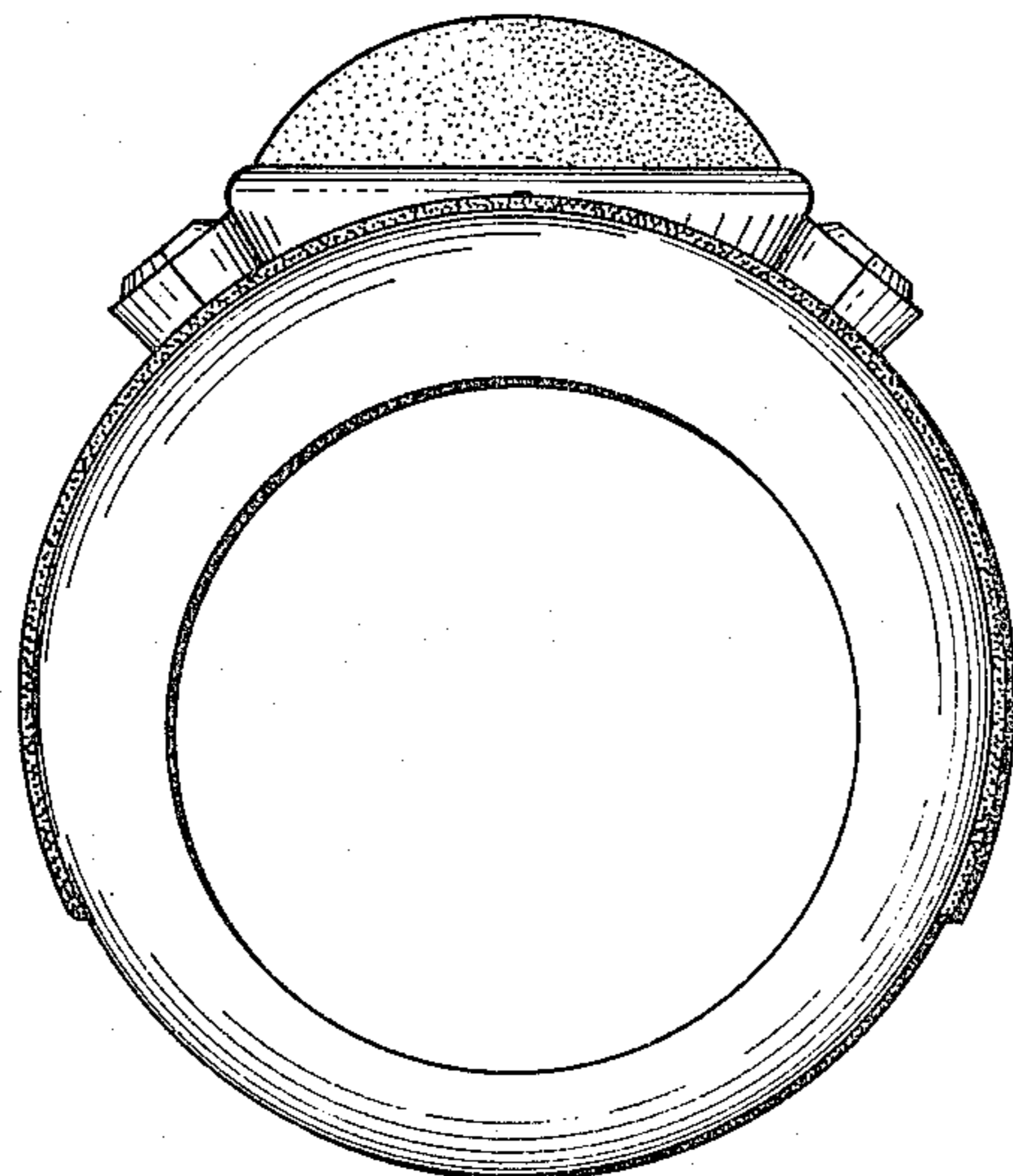


FIG. 1

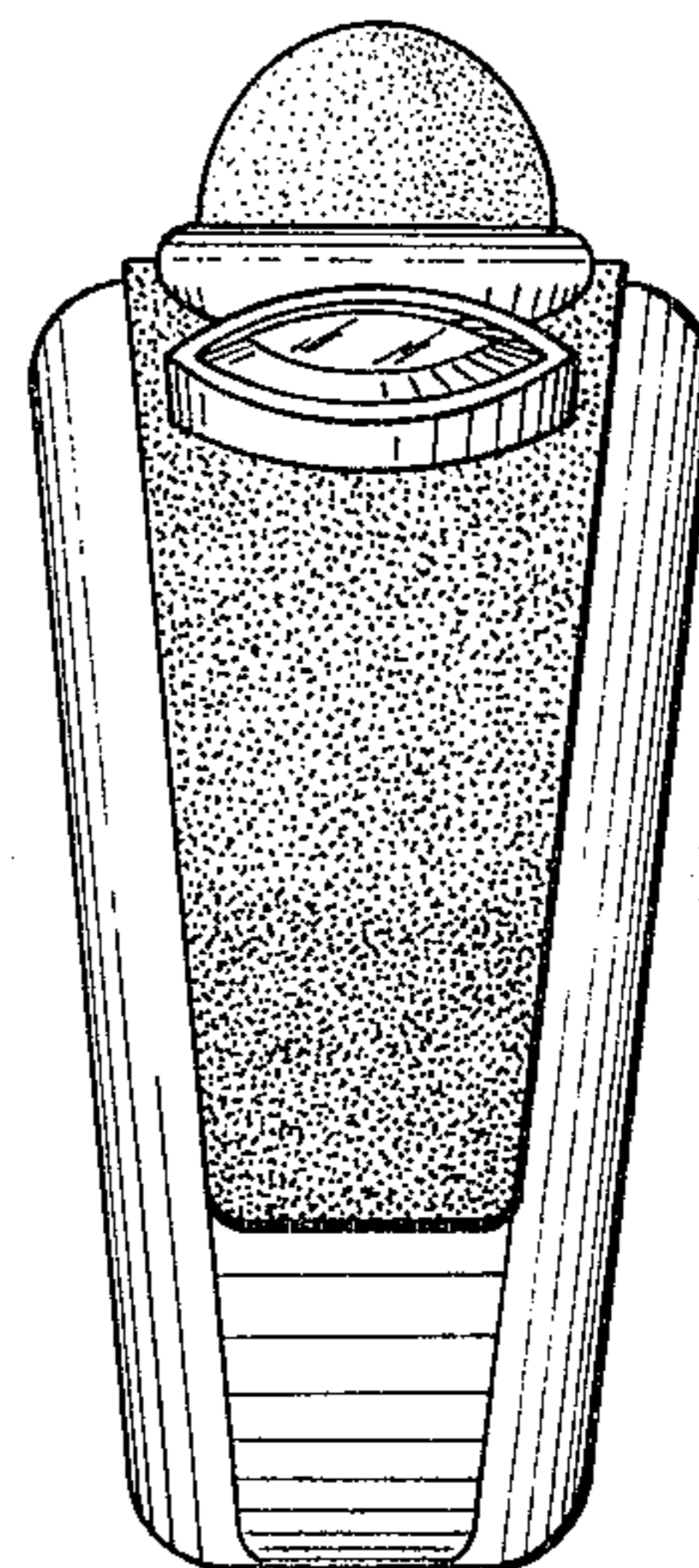


FIG. 2

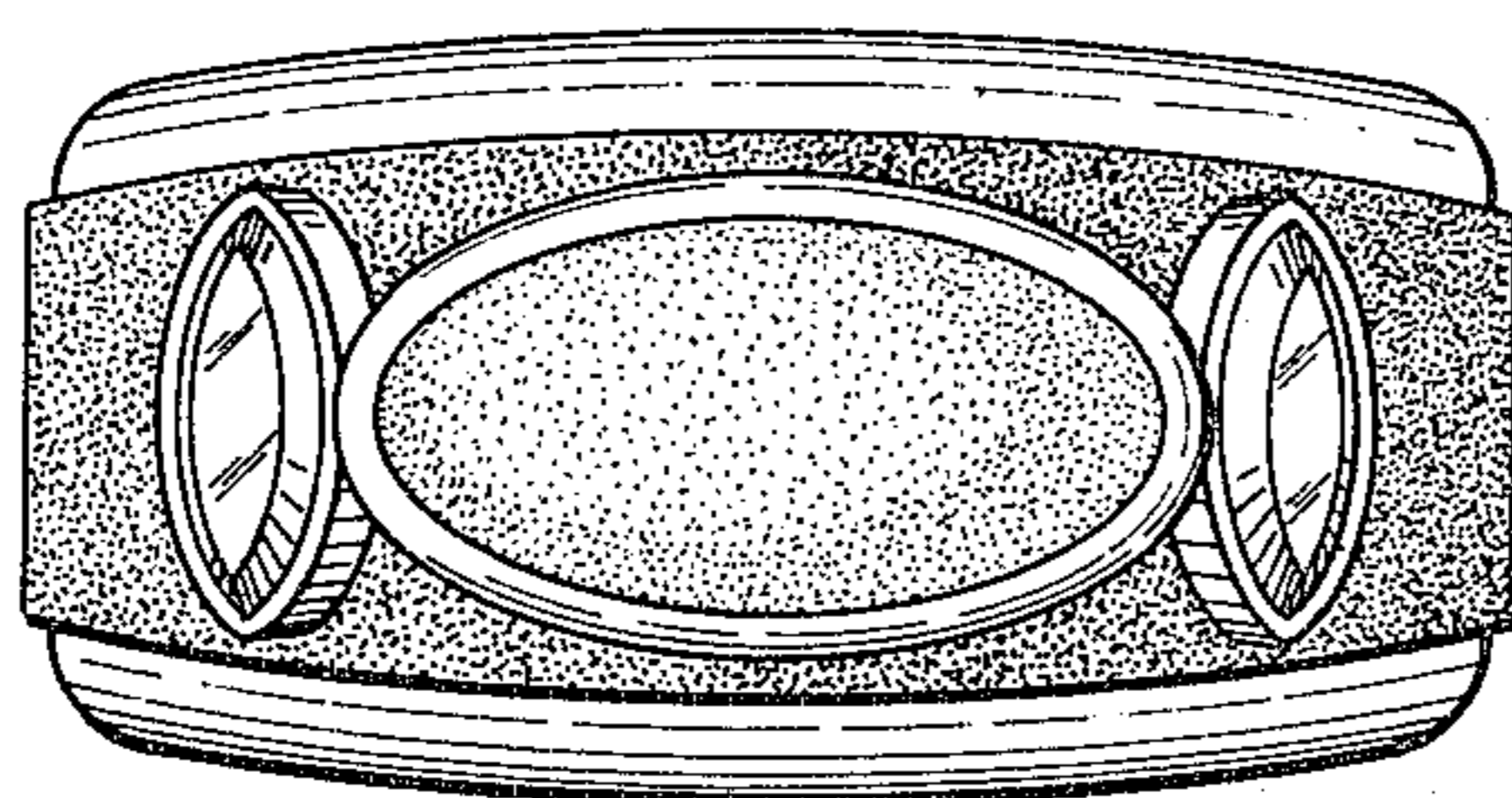


FIG. 3