

[54] **TAPE MEASURE**

[75] **Inventor: Howard Cohen, Plainview, N.Y.**

[73] **Assignee: Roe International, Patchogue, N.Y.**

[**] **Term: 14 Years**

[21] **Appl. No.: 373,411**

[22] **Filed: Apr. 30, 1982**

[52] **U.S. Cl. D10/72**

[58] **Field of Search D10/72, 71; 33/137,
33/138; 242/84.8**

[56] **References Cited**

U.S. PATENT DOCUMENTS

D. 216,534	2/1970	Zelnick	D10/72
D. 223,008	2/1972	Gould	D10/72
D. 228,149	8/1973	Bennett	D10/72
3,141,628	7/1964	Evans	33/138 X
3,214,836	11/1965	West	33/138
3,942,738	3/1976	Rutty	33/138 X
4,205,448	6/1980	Asai	33/138
4,286,387	9/1981	Diego	33/138

FOREIGN PATENT DOCUMENTS

848261 7/1952 Fed. Rep. of Germany ... D10/72 X

OTHER PUBLICATIONS

Hardware Age-4/1/71-p. 32-Tape Measure at bottom.

Primary Examiner-Nelson C. Holtje

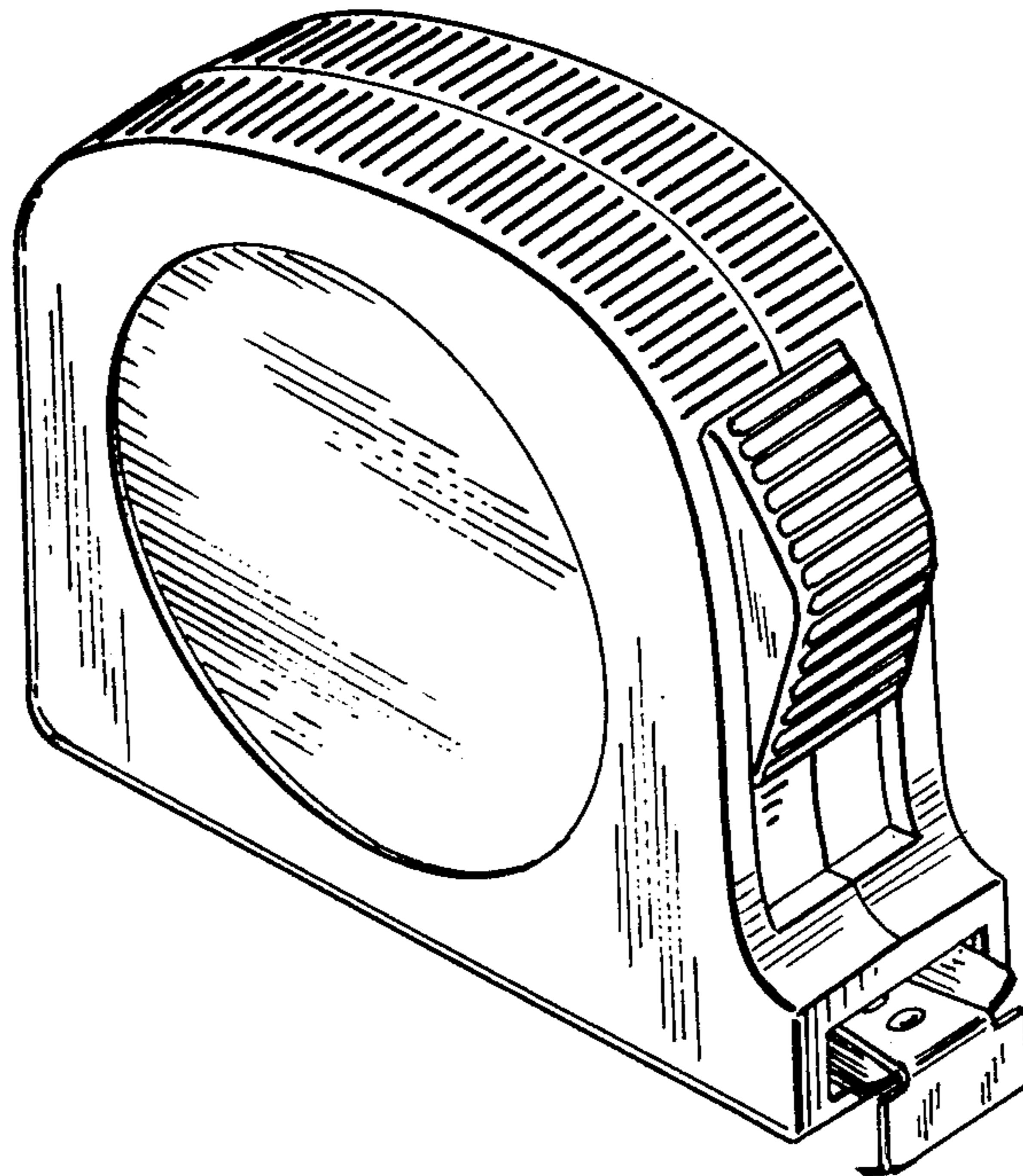
Attorney, Agent, or Firm-Pasquale A. Razzano

[57] **CLAIM**

The ornamental design for a tape measure, as shown.

DESCRIPTION

FIG. 1 is a left side elevational view of a tape measure showing my new design;
FIG. 2 is a rear elevational view thereof;
FIG. 3 is a front elevational view thereof;
FIG. 4 is a right side elevational view thereof;
FIG. 5 is a top plan view thereof;
FIG. 6 is a bottom plan view thereof;
FIG. 7 is a top and left-front perspective view of another embodiment of my new design of FIGS. 1-6;
FIG. 8 is a bottom and right-rear perspective view of FIG. 7.



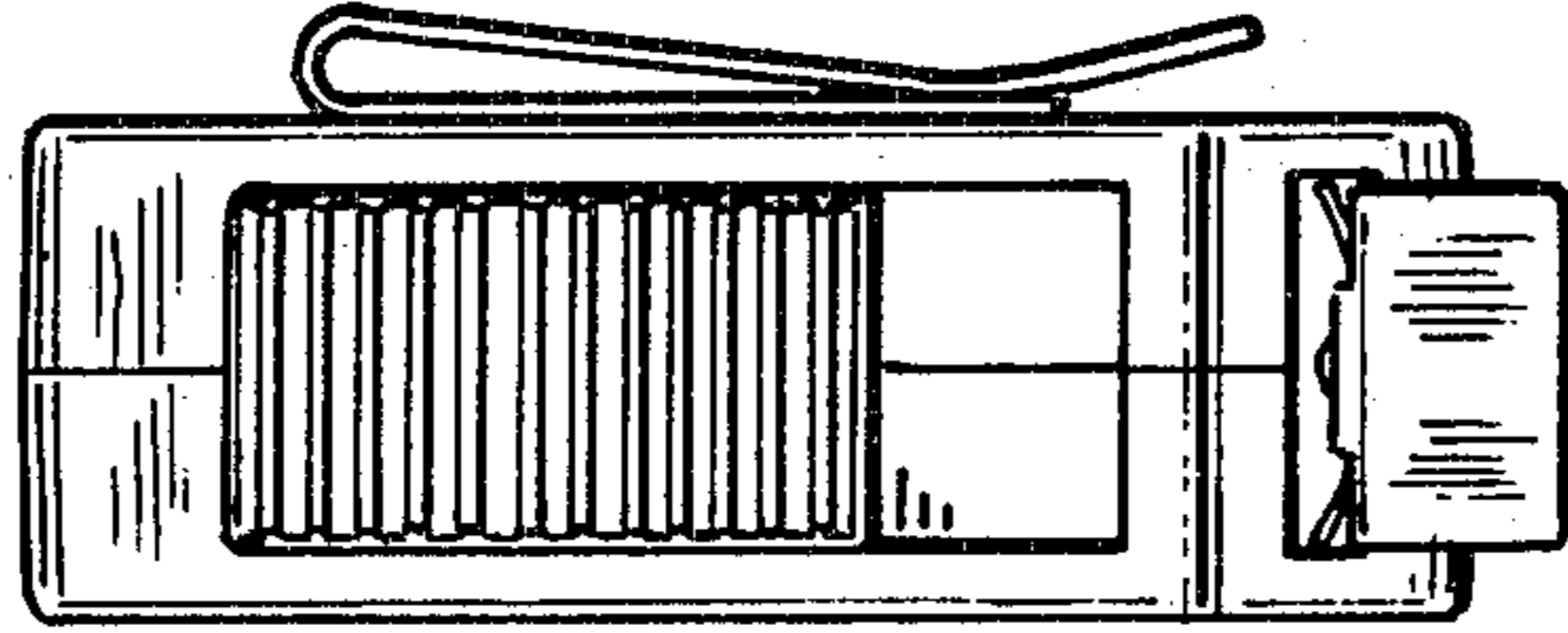


FIG. 3

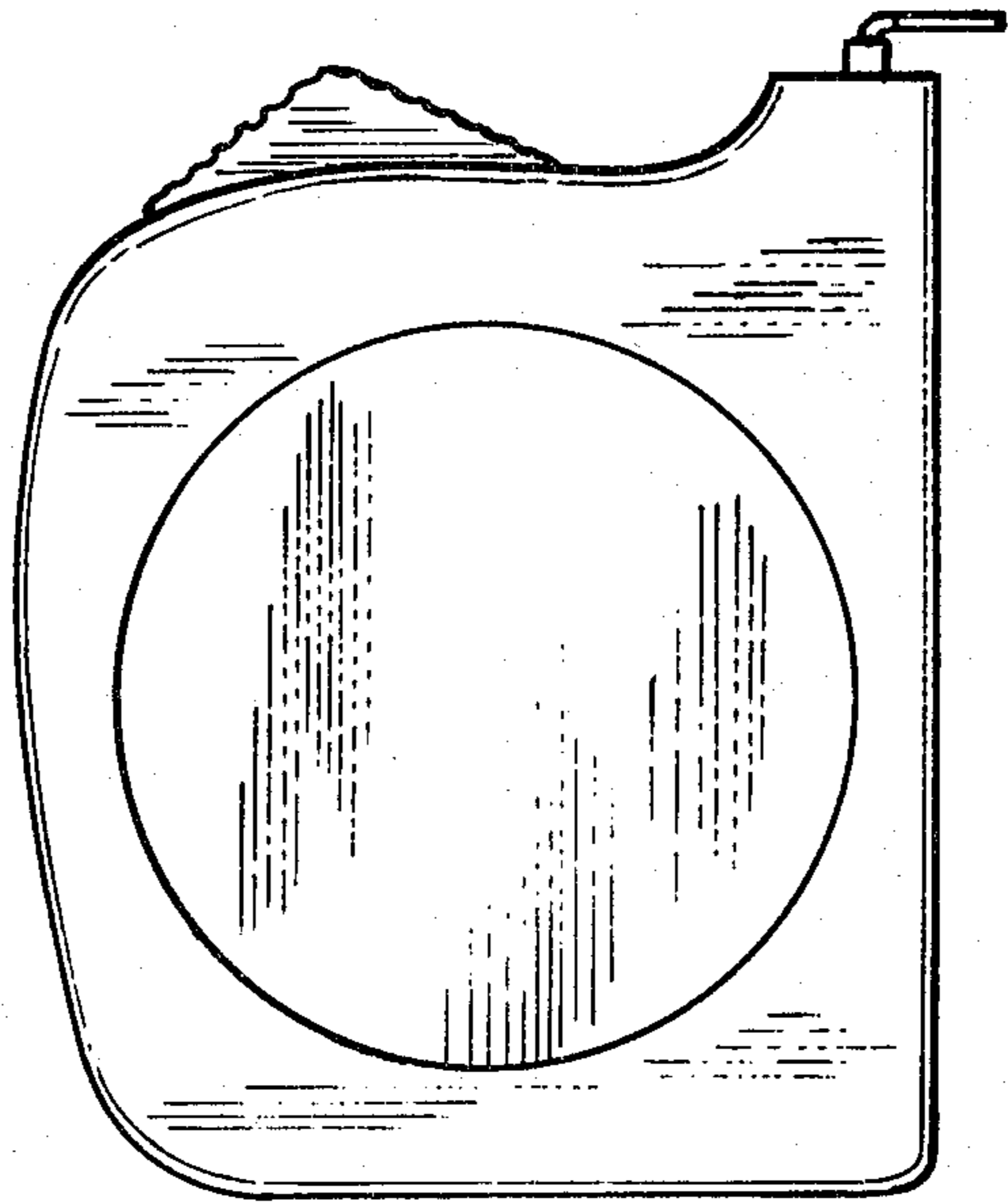


FIG. 1

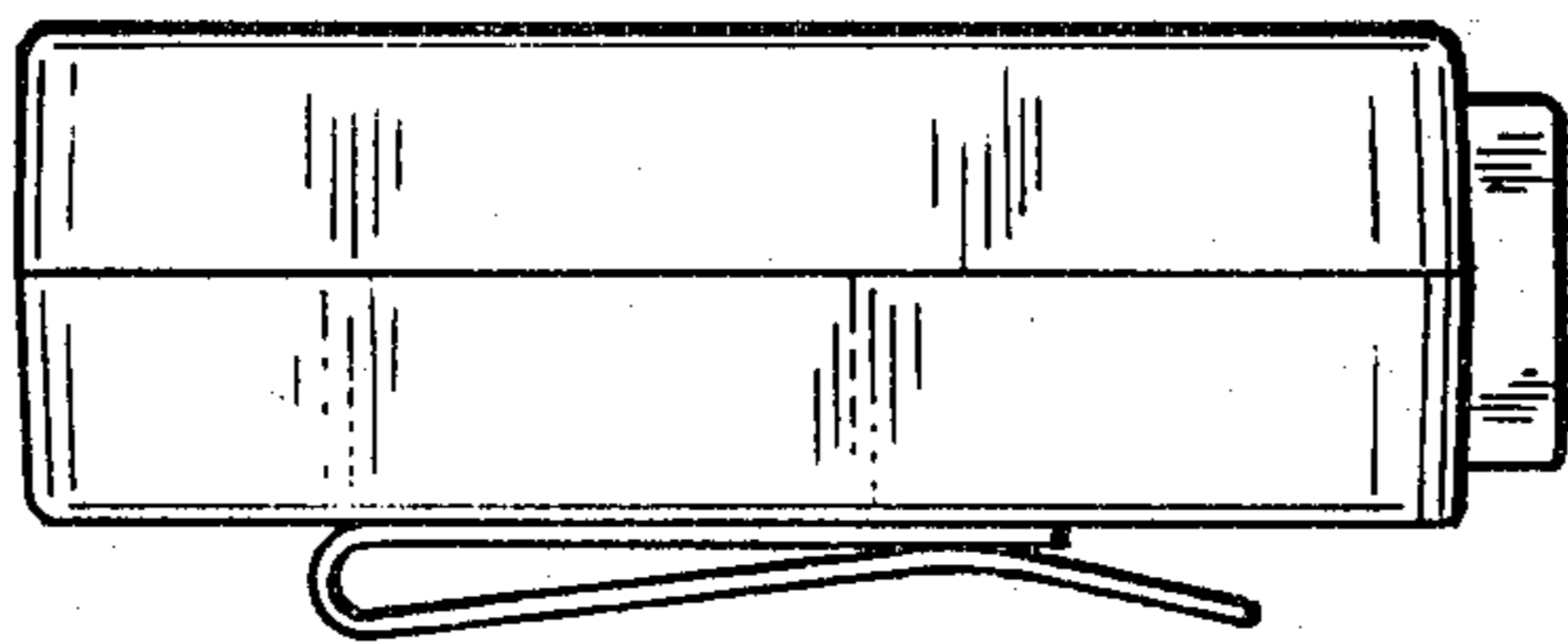


FIG. 2

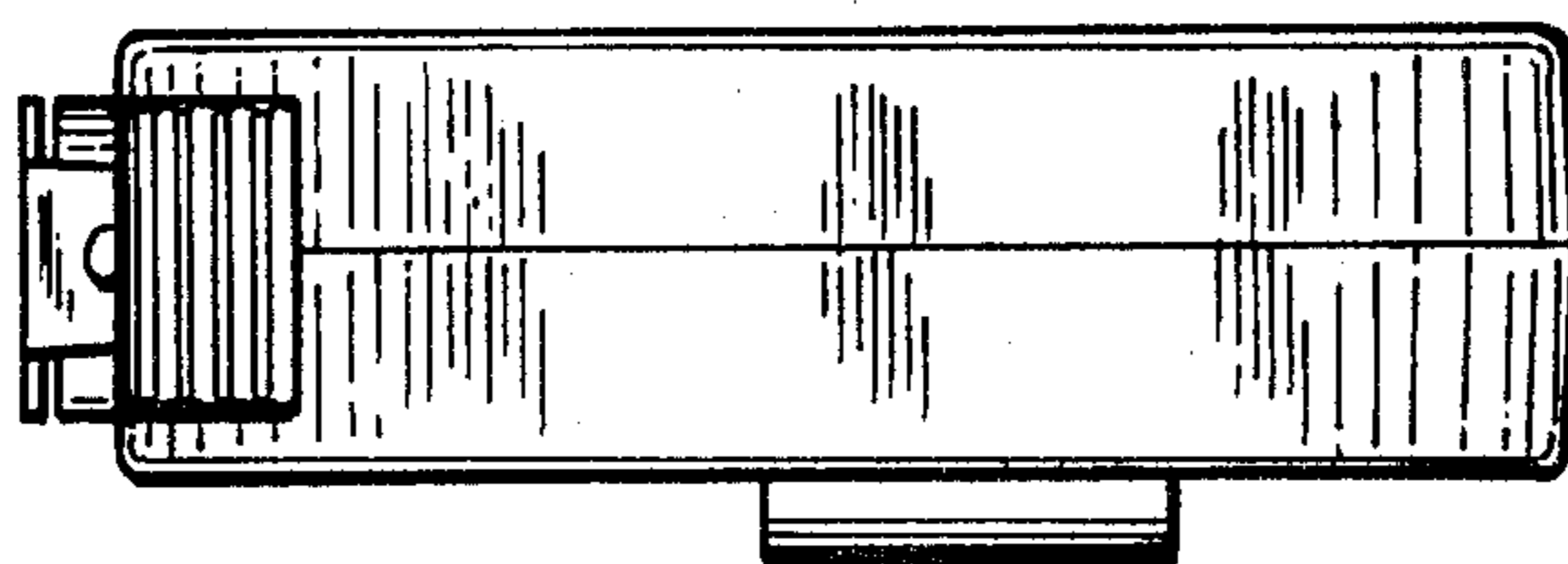


FIG. 5

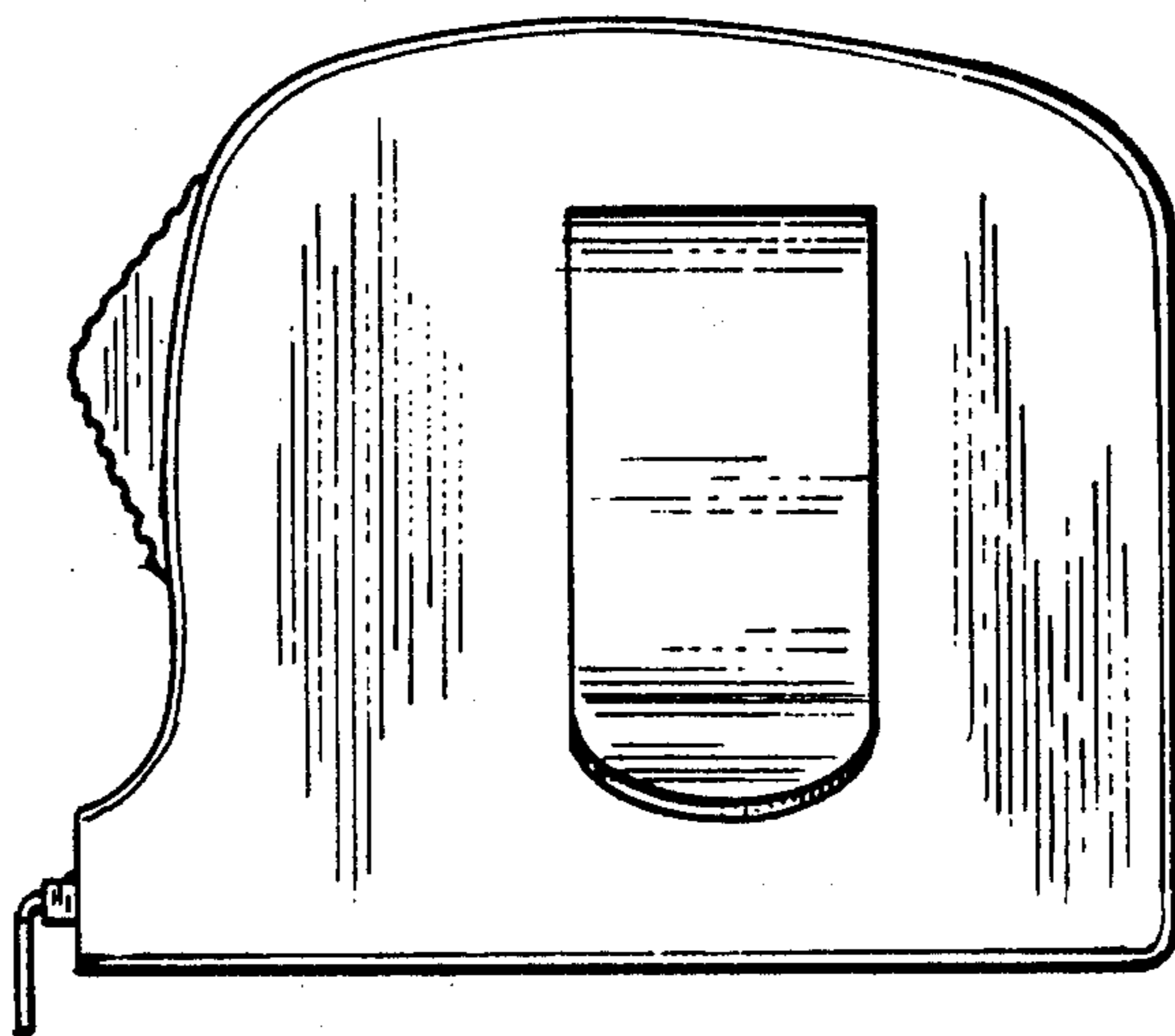


FIG. 4

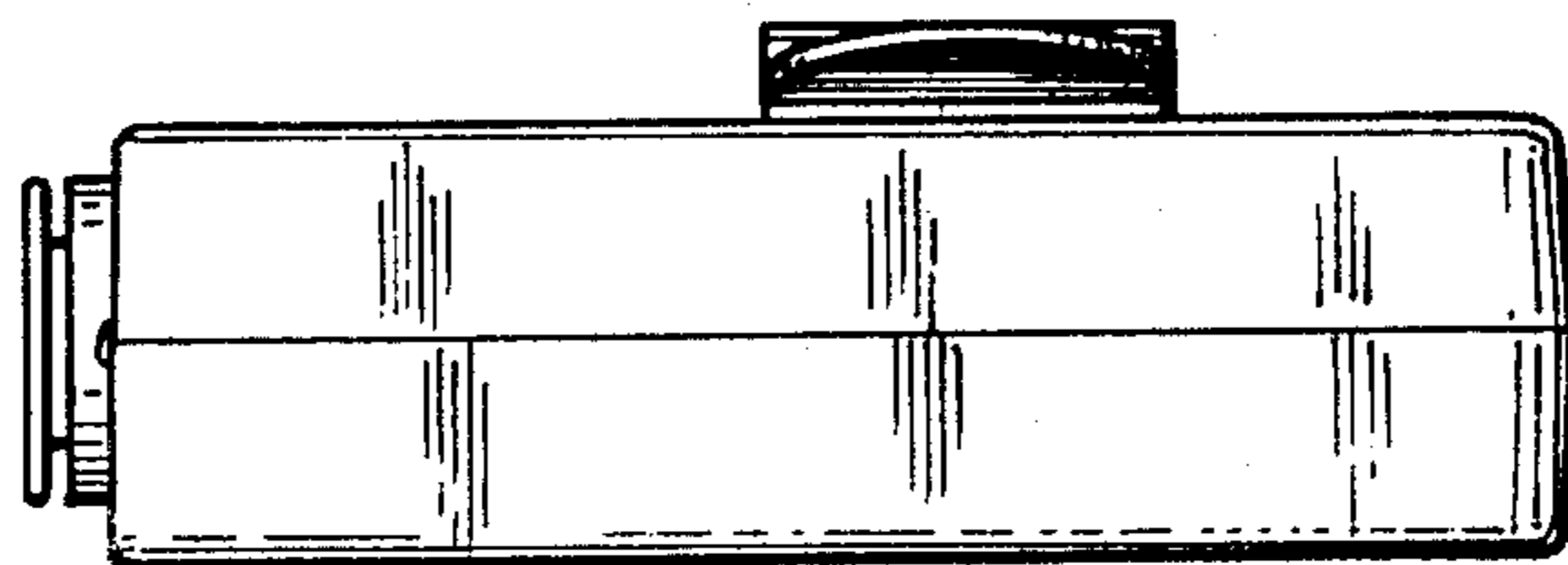


FIG. 6

FIG. 7

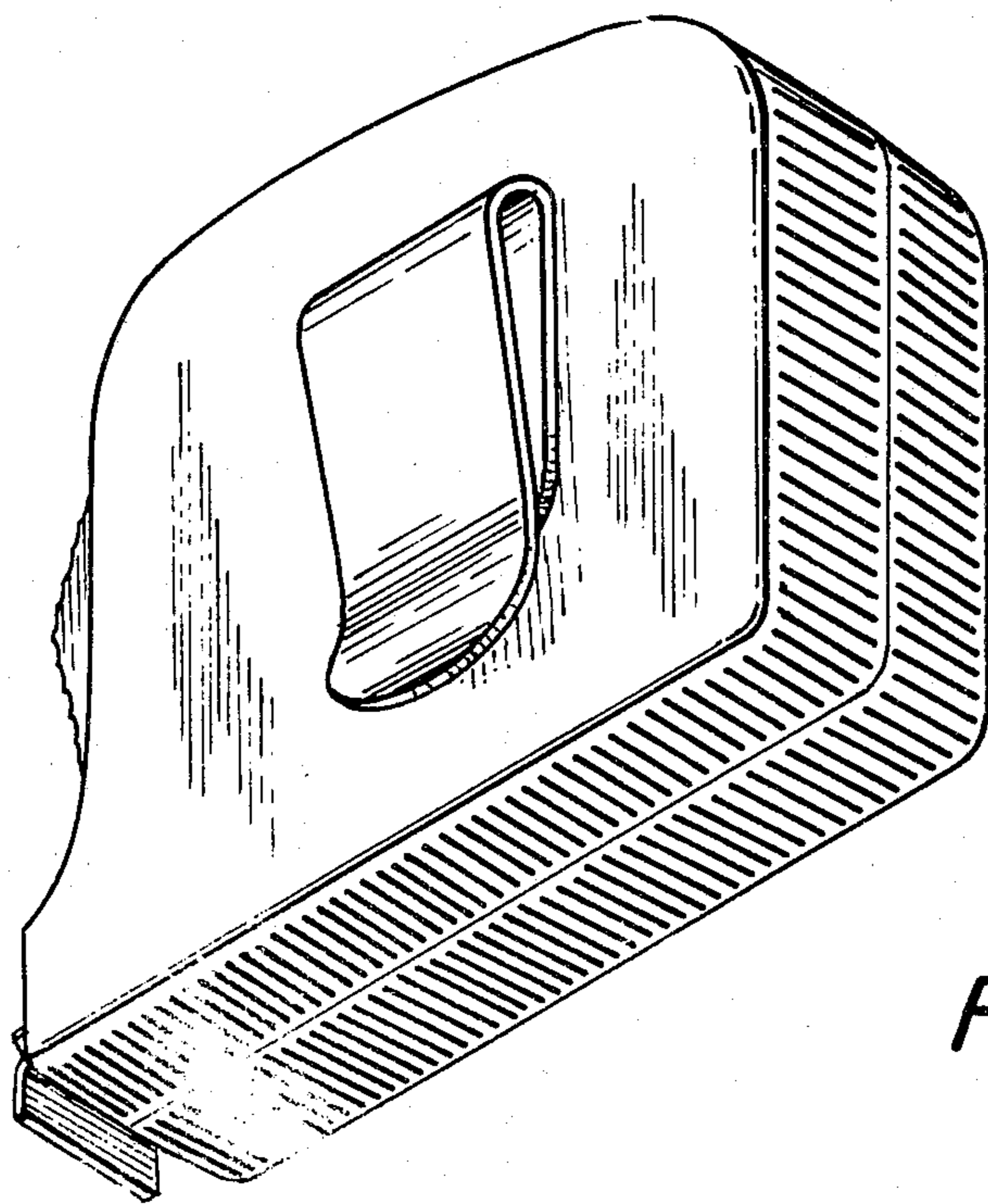
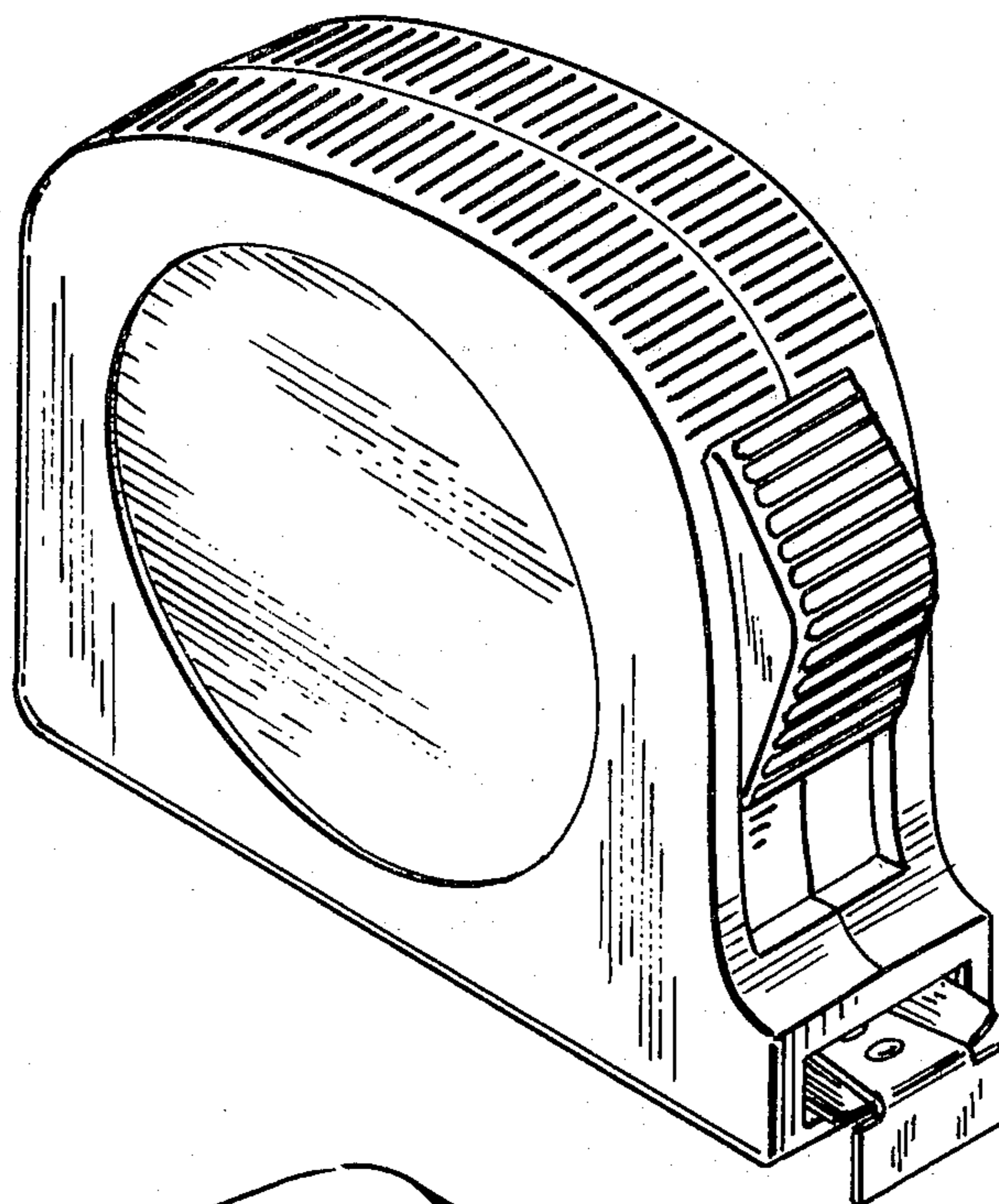


FIG. 8