

- [54] **PACKAGING CONTAINER FOR A FINGERNAIL SET**
[76] **Inventor: Jack D. Bankier, 1724 Long Valley Dr., Northbrook, Ill. 60062**
[**] **Term: 14 Years**
[21] **Appl. No.: 280,995**
[22] **Filed: Jul. 6, 1981**
[52] **U.S. Cl. D9/345; D9/347; D9/424**
[58] **Field of Search D28/56, 61; D9/337, D9/347, 345, 424, 425, 432; 206/581, 461, 471, 563, 564**

- [56] **References Cited**
U.S. PATENT DOCUMENTS
D. 170,846 11/1953 Bassler D9/345
D. 206,409 12/1966 Murphy et al. D9/347
D. 237,317 10/1975 Nowakowski et al. D9/347 X
D. 240,199 6/1976 Perfect D9/347
D. 258,391 2/1981 Bohn D28/61

- D. 259,066 4/1981 Wistrand D28/61
D. 262,865 2/1982 Lecordier D9/345
D. 263,561 3/1982 Wong D9/424 X
D. 266,829 11/1982 Yoshizawa et al. D9/415

Primary Examiner—Robert C. Spangler
Attorney, Agent, or Firm—Haight, Hofeldt, Davis & Jambor

[57] **CLAIM**

The ornamental design for a packaging container for a fingernail set, substantially as shown and described.

DESCRIPTION

FIG. 1 is a top perspective view of a packaging container for a fingernail set showing my new design; FIG. 2 is a top plan view; FIG. 3 is a bottom plan view; FIG. 4 is a side elevational view; FIG. 5 is an end elevational view; FIG. 6 is an exploded top perspective view; and FIG. 7 is an enlarged sectional view taken in the direction of the arrows 7—7 of FIG. 6.

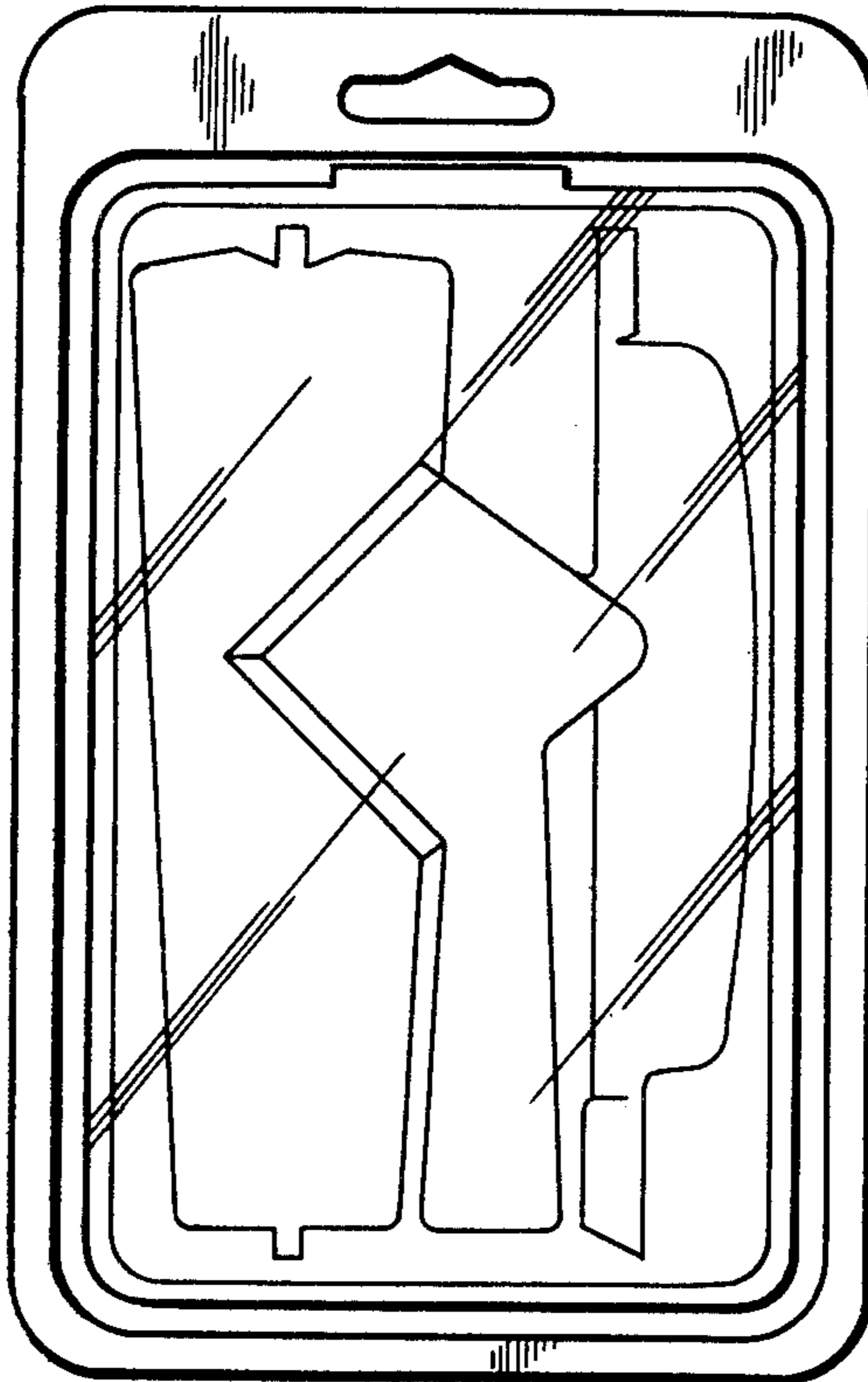


FIG-1

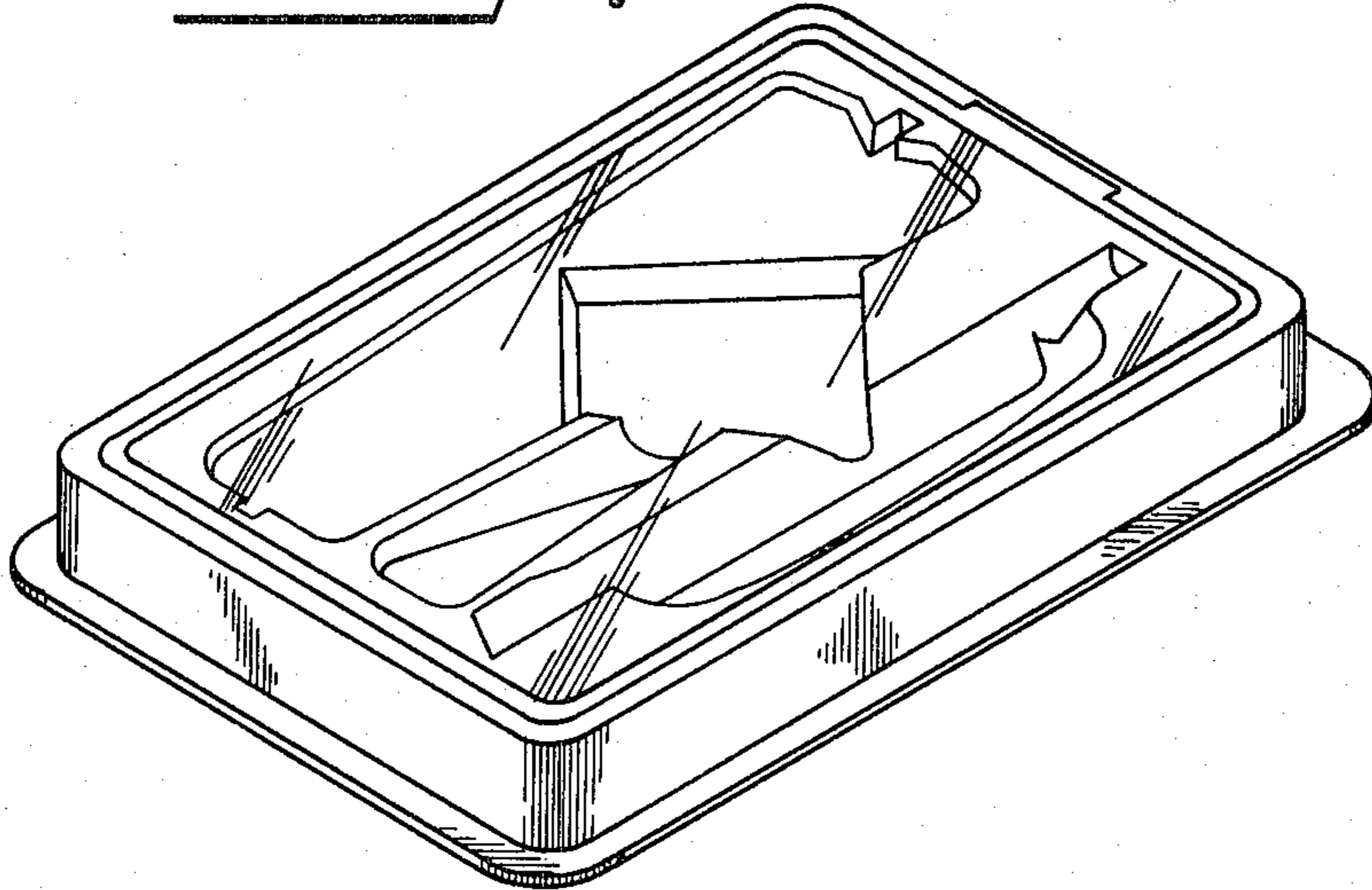


FIG-2

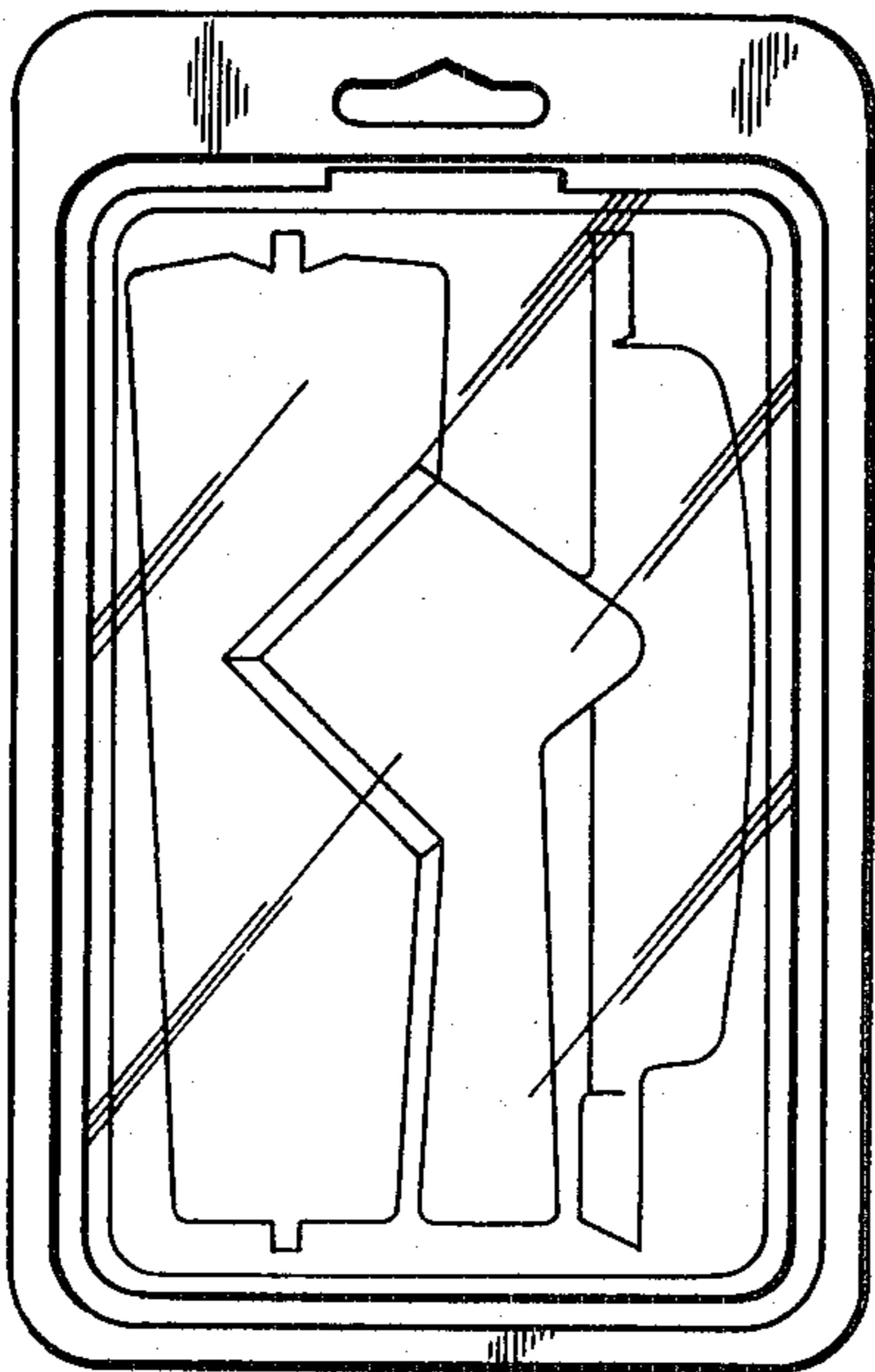


FIG-3

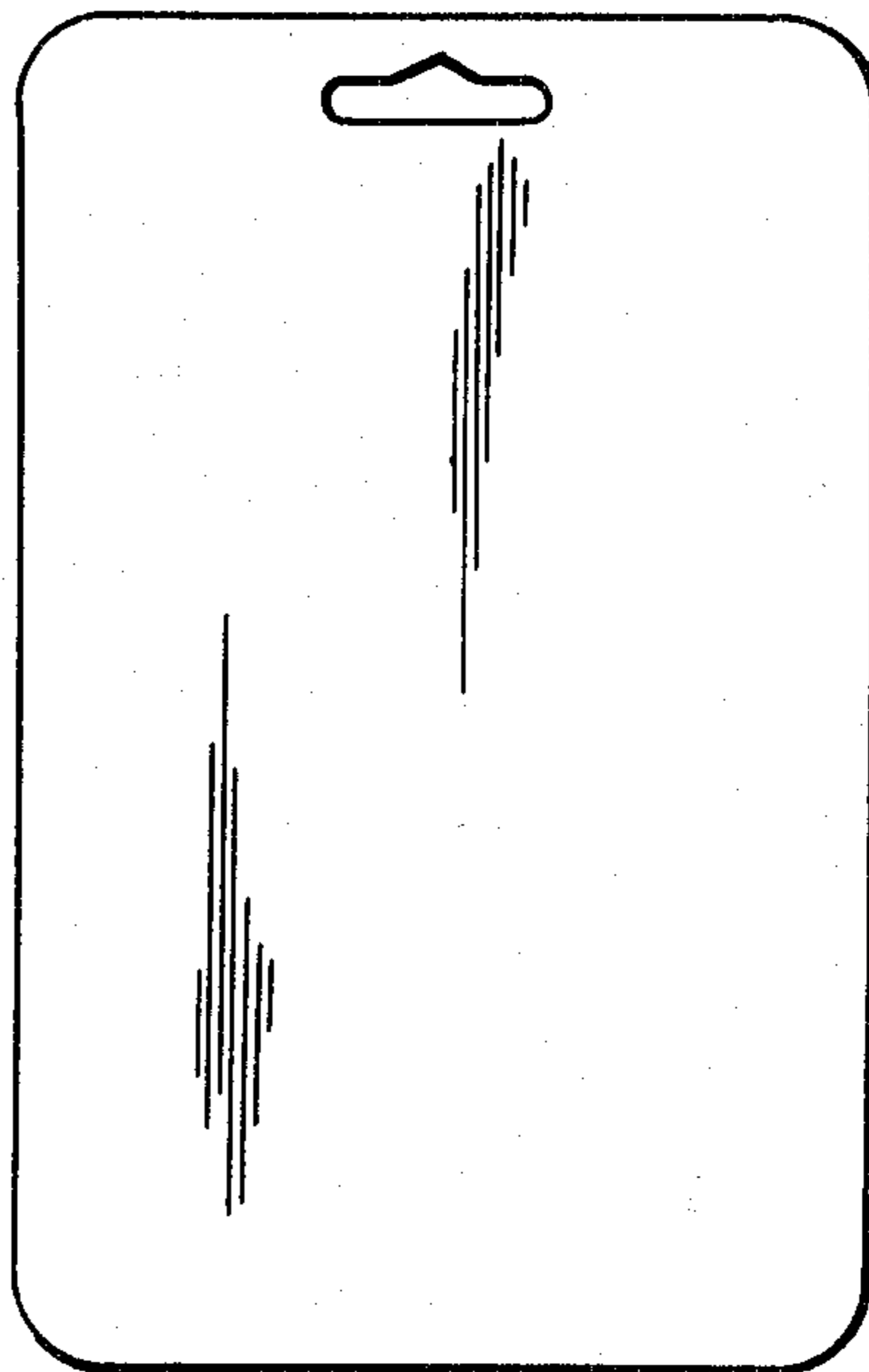


FIG-4

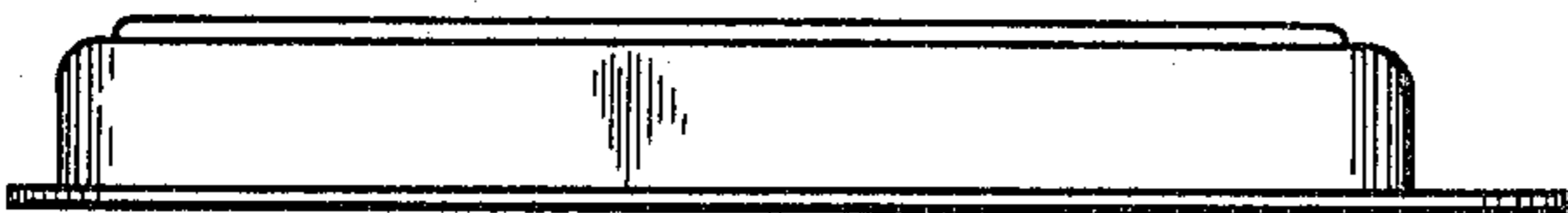


FIG-5



FIG-6

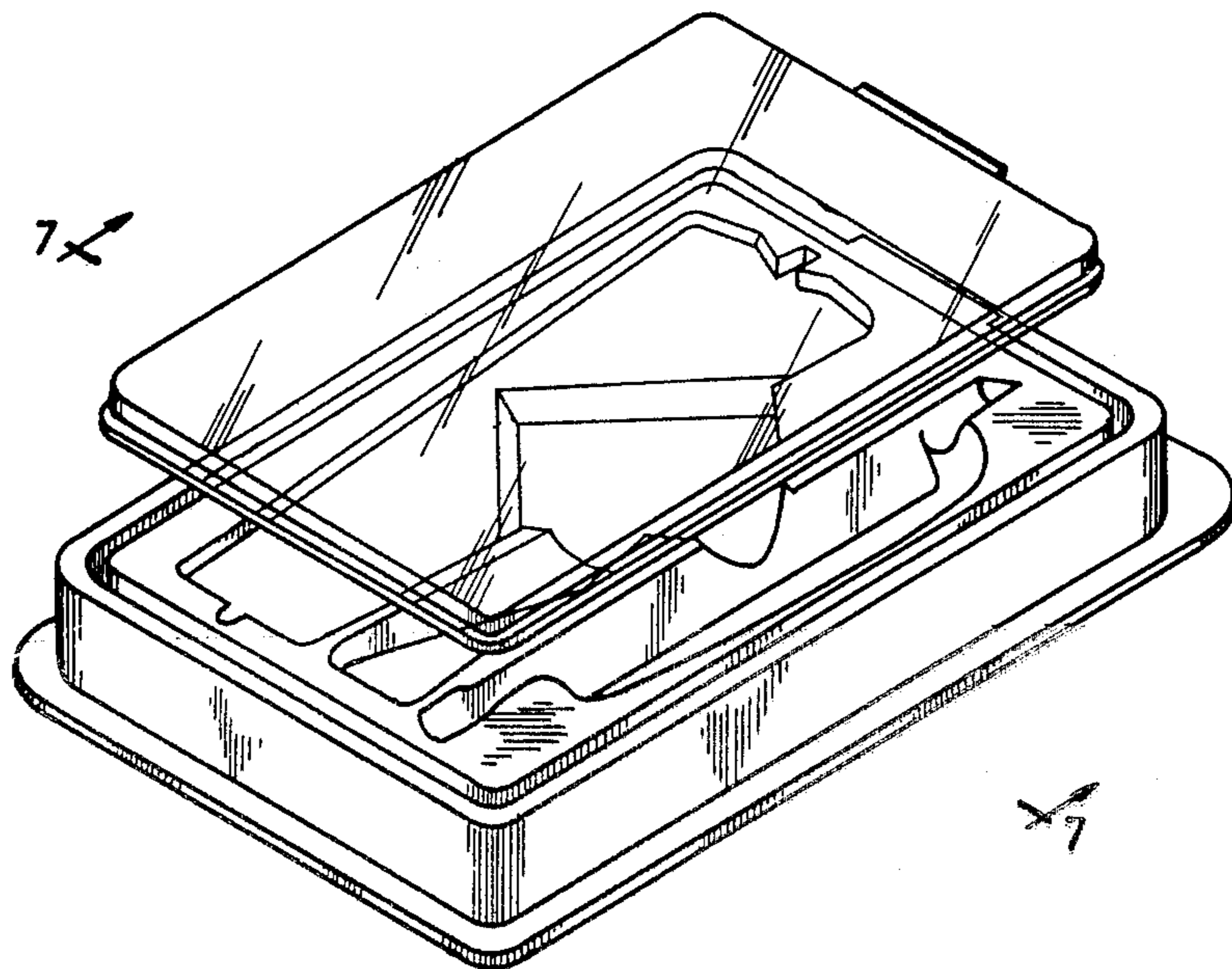


FIG-7

