

[54] **PIPE STABILIZER**

[75] **Inventor:** Cecil Galloway, Glendora, Calif.  
[73] **Assignee:** Browline Pipe, Inc., Laguna Hills, Calif.  
[\*\*] **Term:** 14 Years  
[21] **Appl. No.:** 408,269  
[22] **Filed:** Aug. 16, 1982  
[52] **U.S. Cl. ....** D8/396  
[58] **Field of Search ....** D8/382, 394, 395, 396, D8/373; 248/65, 68.1, 74.1, 74.3, 74.4; 285/420

[56] **References Cited**  
**U.S. PATENT DOCUMENTS**

D. 250,089 10/1978 Legerius ..... D8/396  
2,570,957 10/1951 Lee ..... D8/396  
2,681,196 6/1954 Lind ..... D8/396

**FOREIGN PATENT DOCUMENTS**

1202582 10/1965 Fed. Rep. of Germany ..... 248/74.1  
2099905 6/1981 United Kingdom ..... 248/74.1

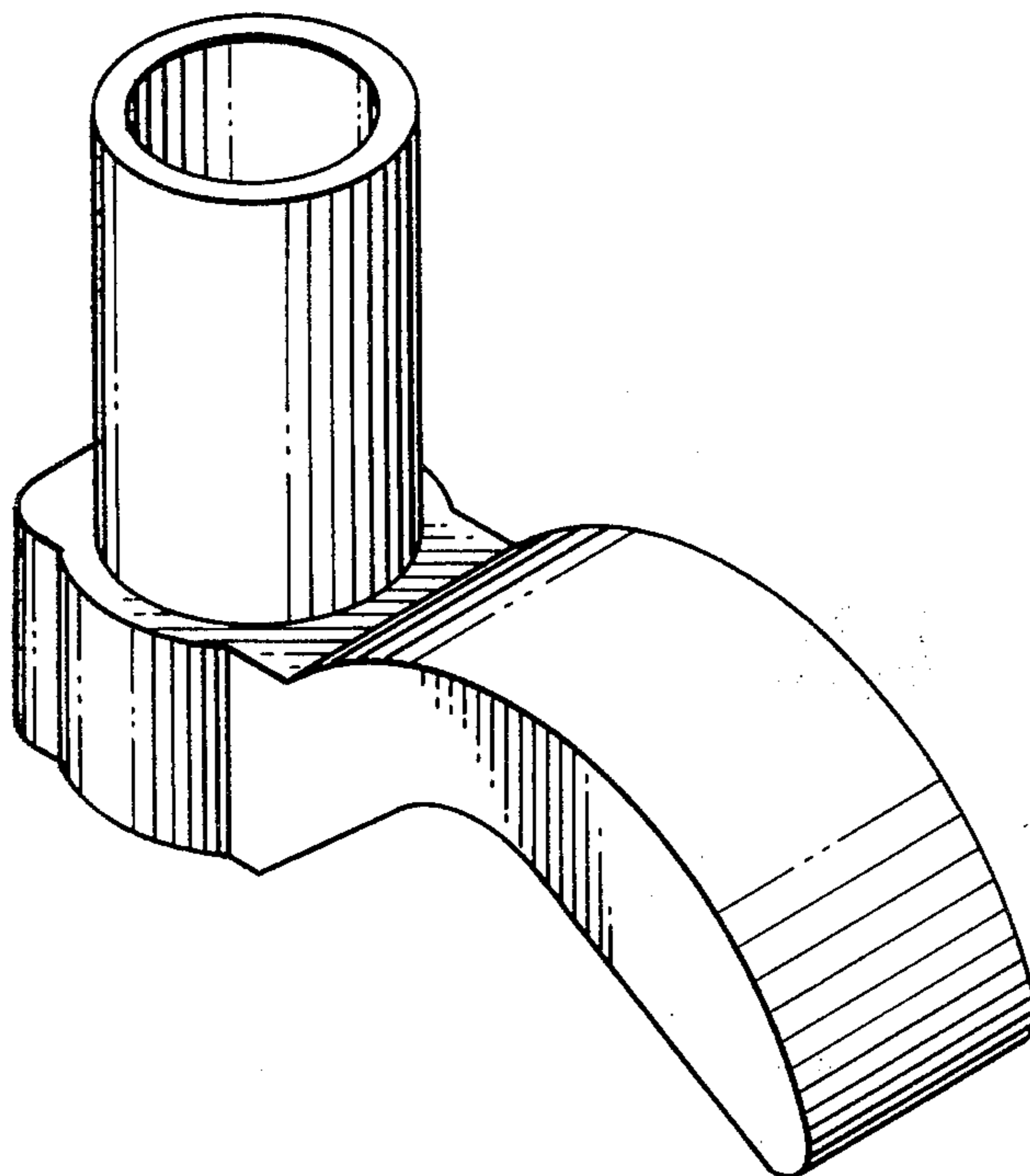
*Primary Examiner*—B. J. Bullock  
*Attorney, Agent, or Firm*—Gausewitz, Carr, Rothenberg & Edwards

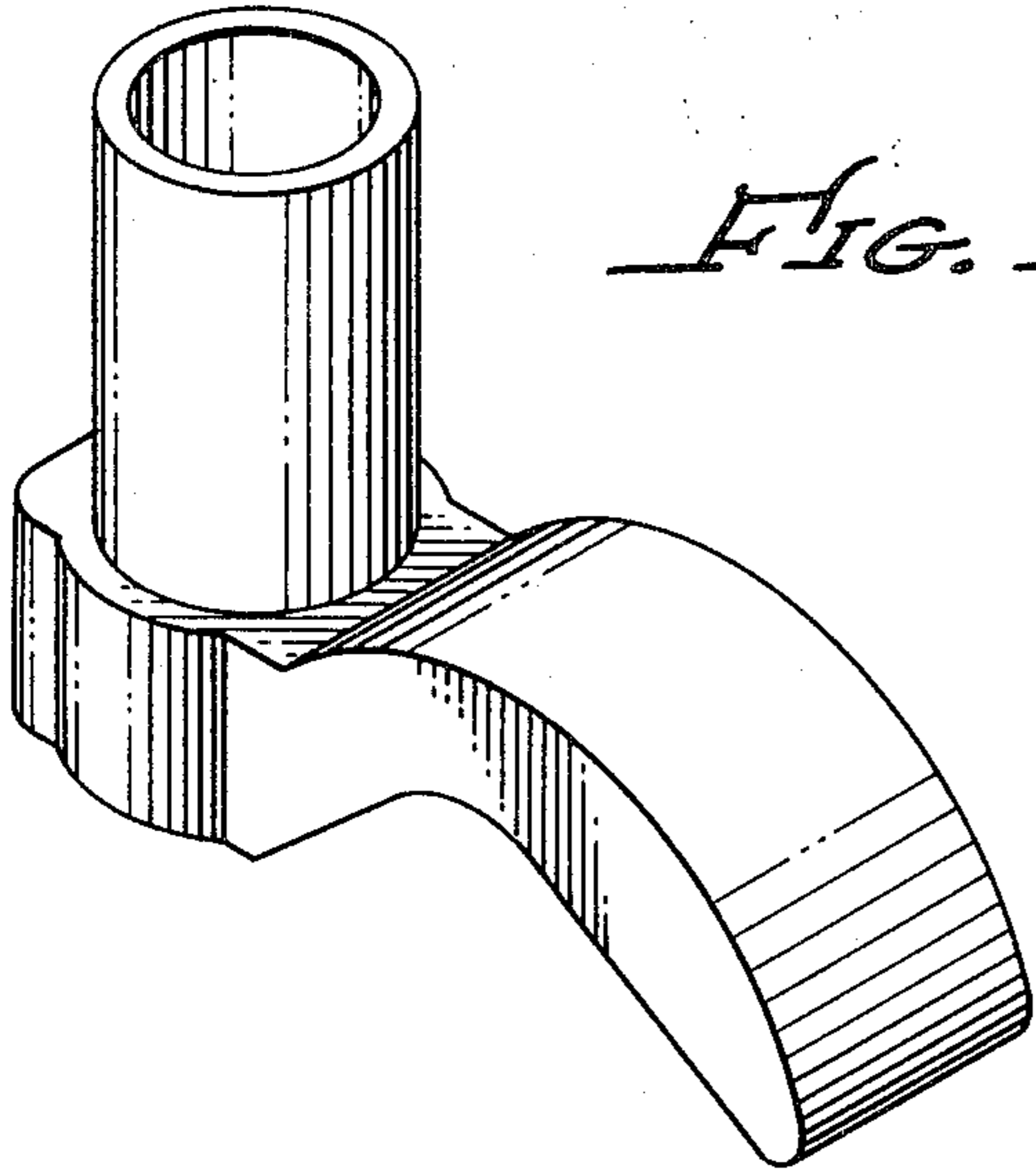
[57] **CLAIM**

The ornamental design for a pipe stabilizer, substantially as shown and described.

**DESCRIPTION**

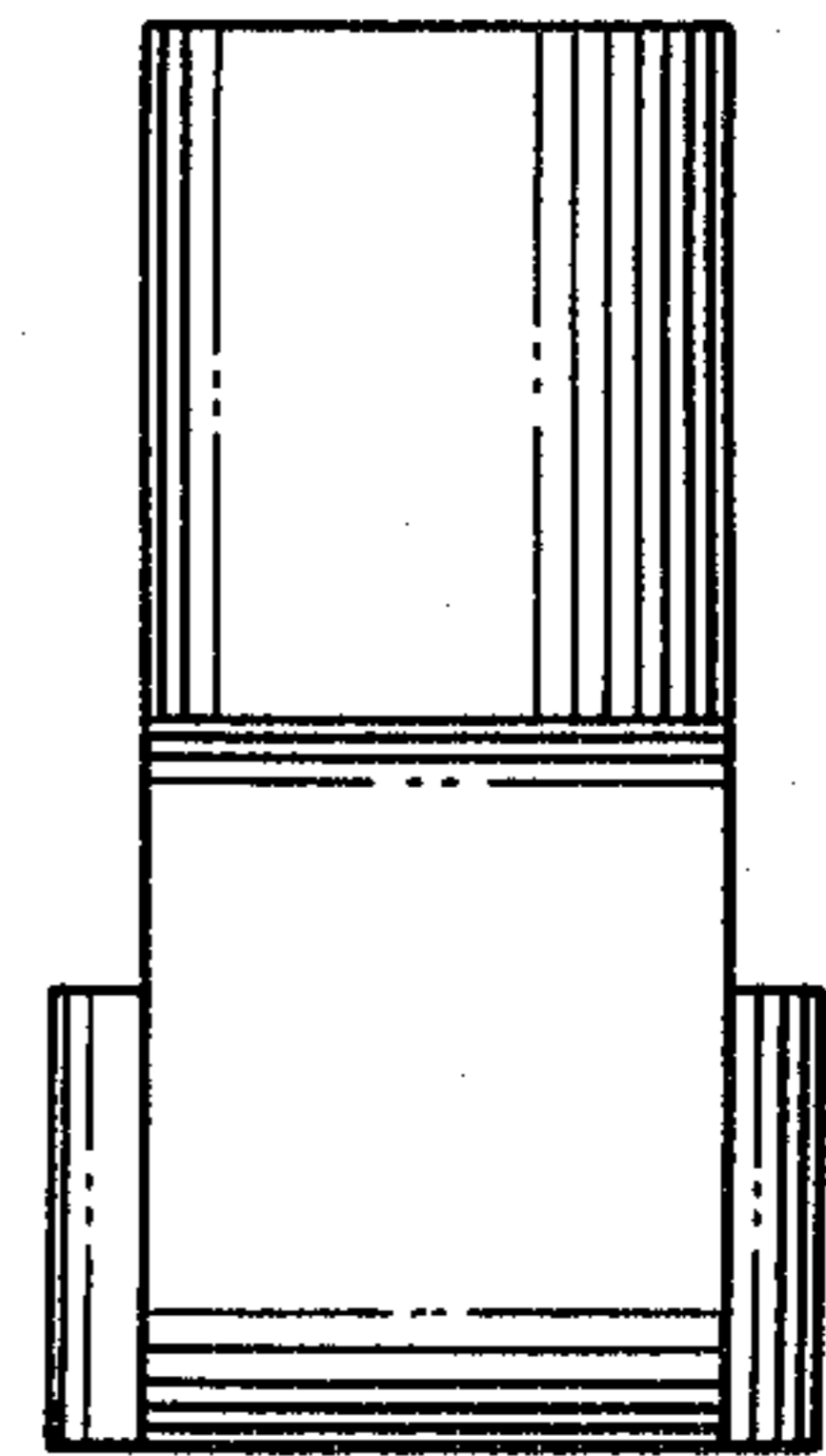
FIG. 1 is a top perspective view of a pipe stabilizer showing my new design;  
FIG. 2 is a front elevation thereof;  
FIG. 3 is a side elevation taken from the right of FIG. 1;  
FIG. 4 is a bottom view thereof; and  
FIG. 5 is a rear elevation thereof.



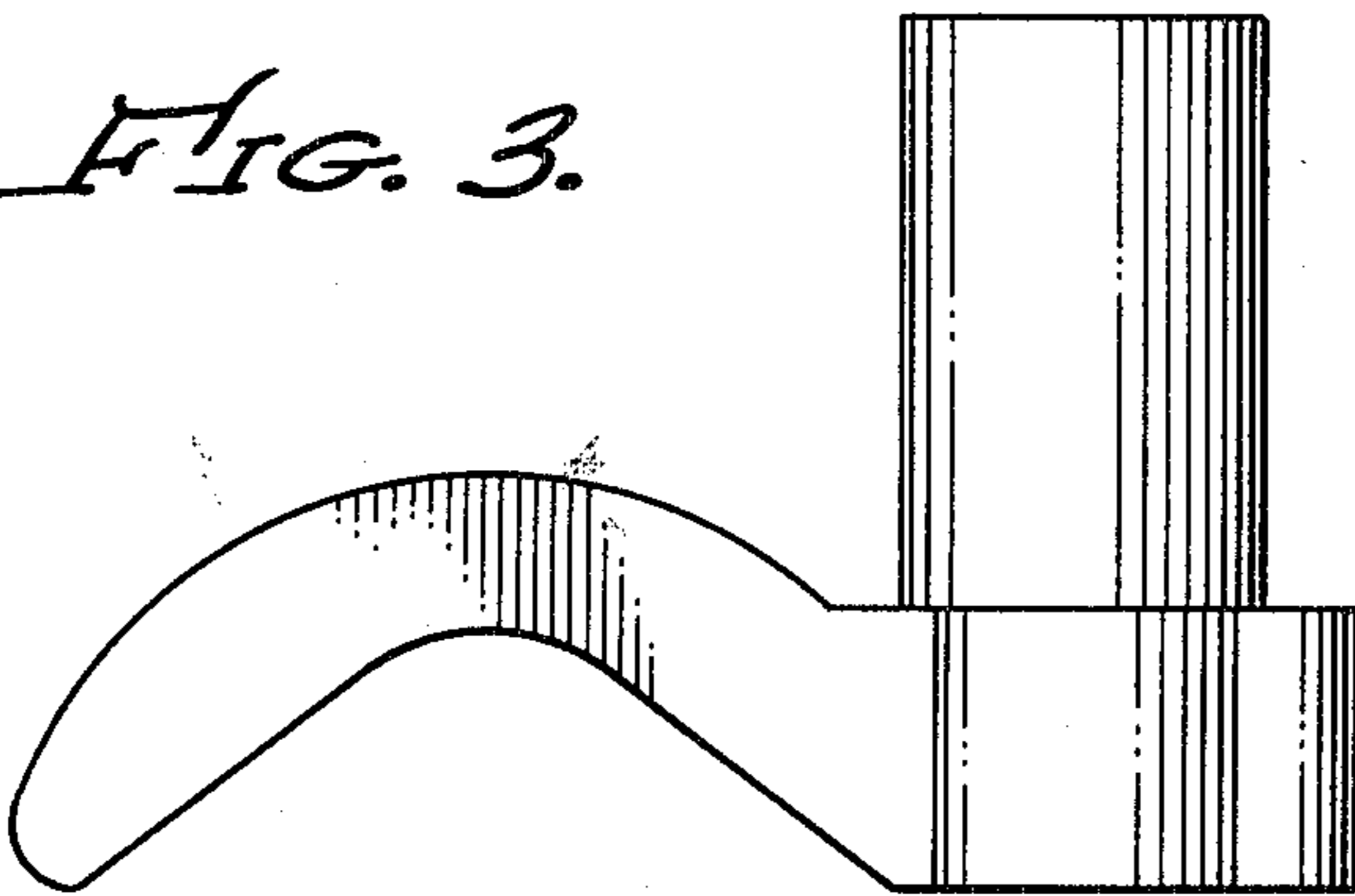


*FIG. 1.*

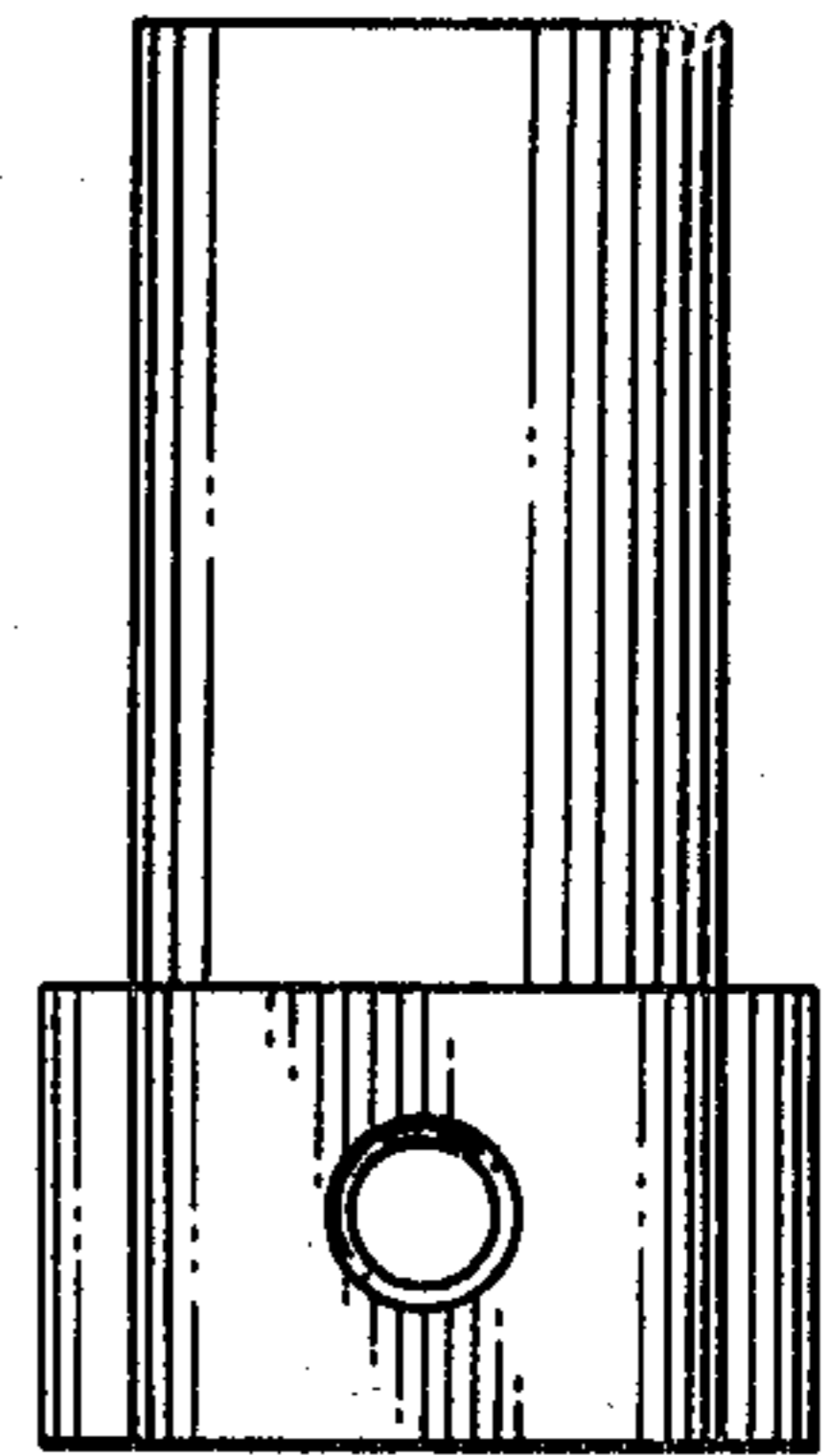
*FIG. 2.*



*FIG. 3.*



*FIG. 5.*



*FIG. 4.*

