

[54] KNIFE

[75] Inventor: Robert Ferraro, Springfield, Mass.

[73] Assignee: Bangor Punta Corporation, Greenwich, Conn.

[**] Term: 14 Years

[21] Appl. No.: 303,993

[22] Filed: Sep. 21, 1981

[52] U.S. Cl. D8/99

[58] Field of Search D8/98, 99; D22/1; 30/151, 152, 155, 157, 158, 160, 161

[56] References Cited

U.S. PATENT DOCUMENTS

D. 49,723 10/1916 Curtiss D22/1 X
4,083,110 4/1978 Goldin et al. D8/99 X

FOREIGN PATENT DOCUMENTS

718882 11/1931 France 30/160

OTHER PUBLICATIONS

Guns & Ammo Guidebook to Knives & Edged Weapons, ©1974, p. 26, Ted Dowell Folding Knife.

Guns & Ammo Guidebook to Knives & Edged Weapons, ©1974, p. 45, Hale's Spearpoint Bowie Knife, left.

Primary Examiner—Susan J. Lucas

Attorney, Agent, or Firm—Patrick J. Walsh

[57] CLAIM

The ornamental design for the knife, as shown and described.

DESCRIPTION

FIG. 1 is a perspective view of the knife showing my new design;

FIG. 2 is a front elevational view of the knife;

FIG. 3 is a top plan view of the knife;

FIG. 4 is a front edge view of the knife;

FIG. 5 is a rear edge view of the knife;

FIG. 6 is a perspective view of the knife with blade and guard articulated;

FIG. 7 is a top plan view of FIG. 6;

FIG. 8 is a perspective view of the knife with blade extended and guard retracted;

FIG. 9 is a bottom plan view of FIG. 8; and

FIG. 10 is a sectional view taken along line 10—10 of FIG. 8.

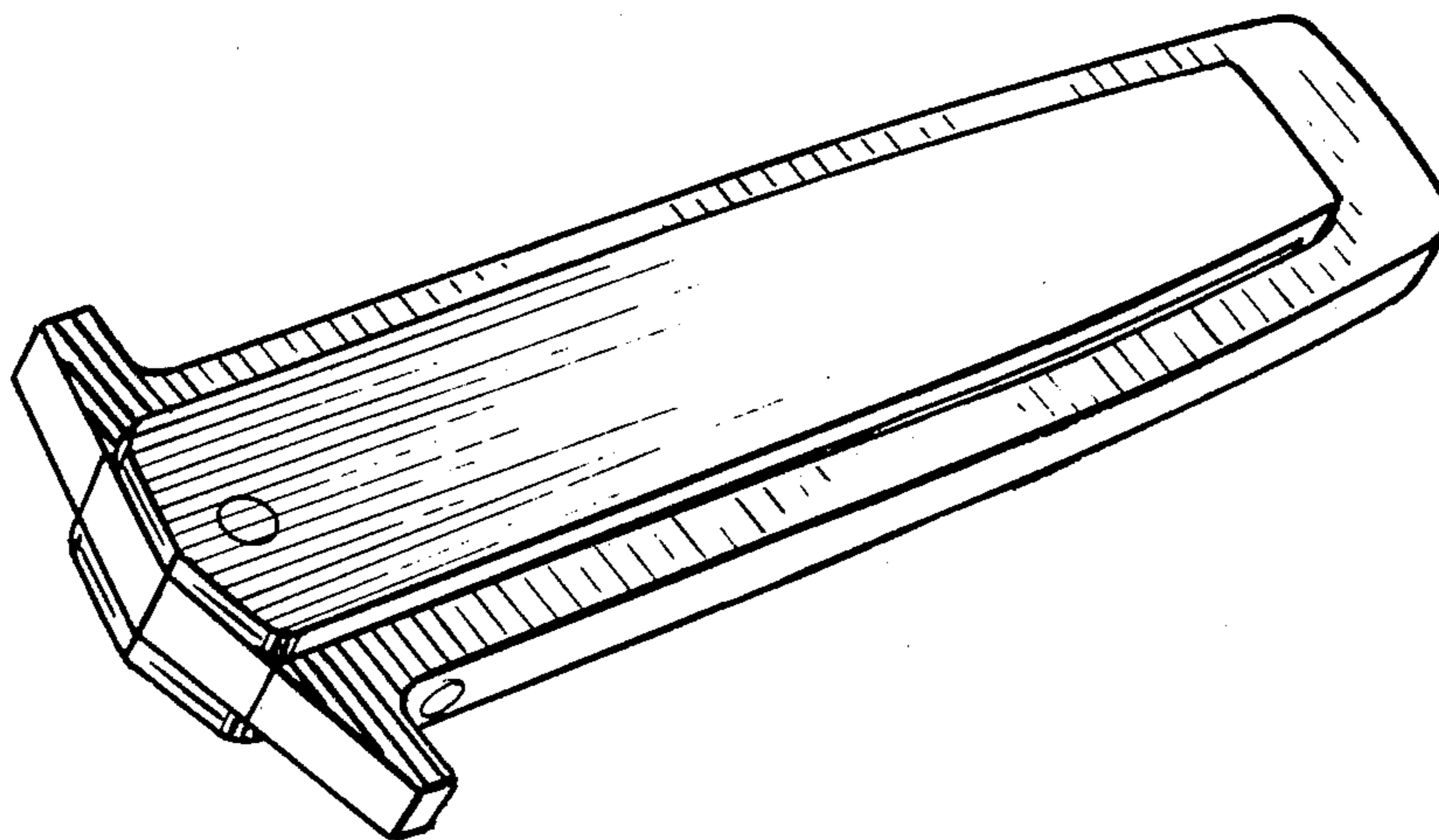


Fig. 1.

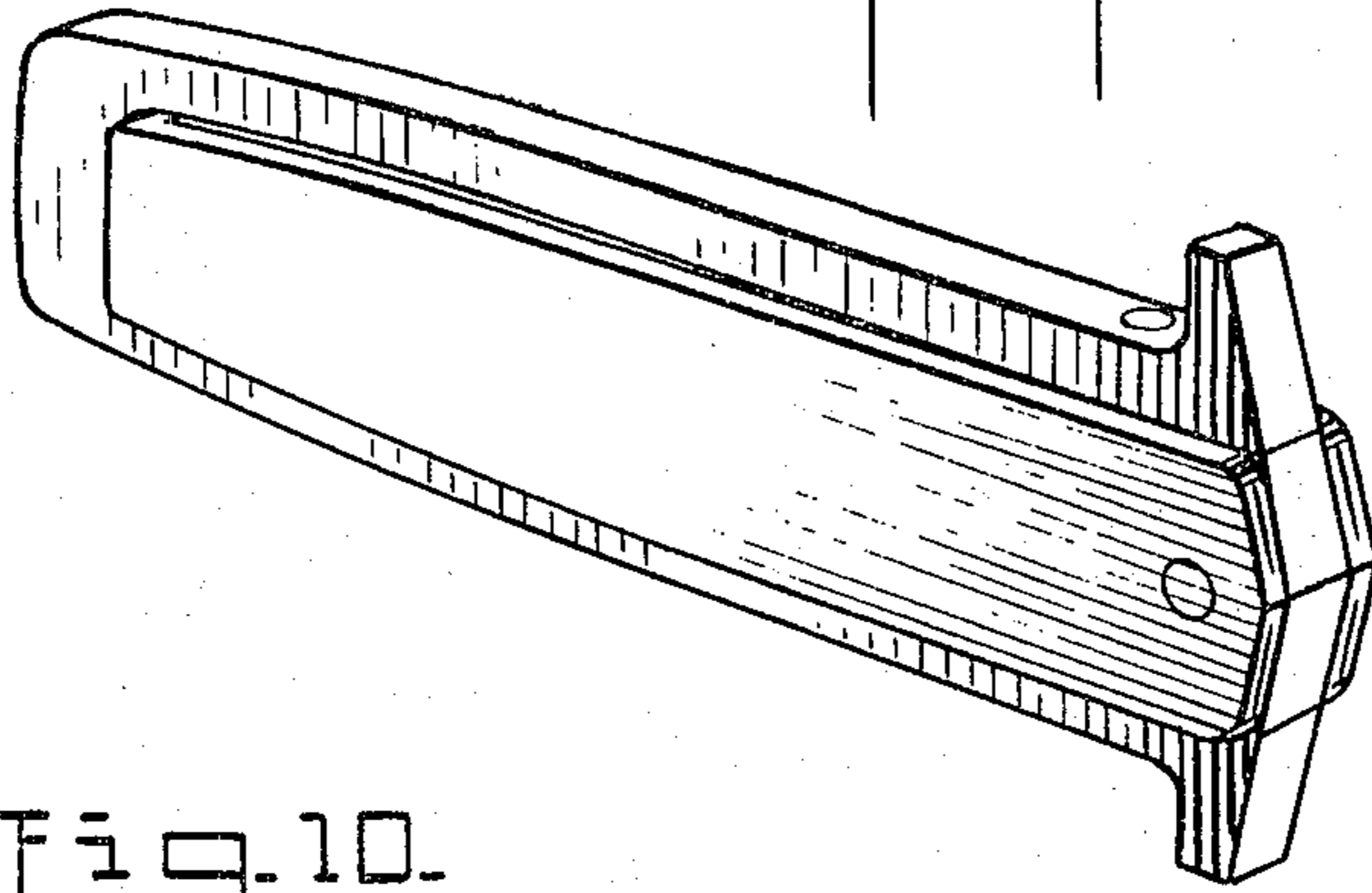


Fig. 10.

Fig. 2.

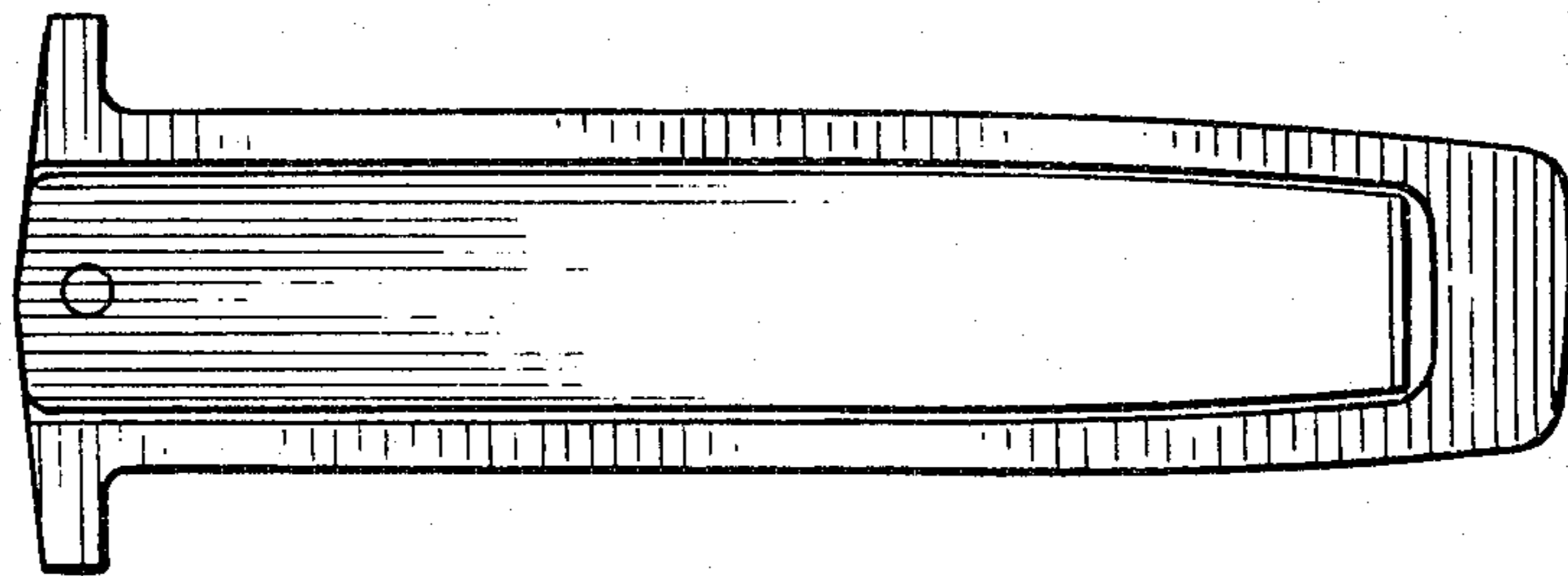


Fig. 3.

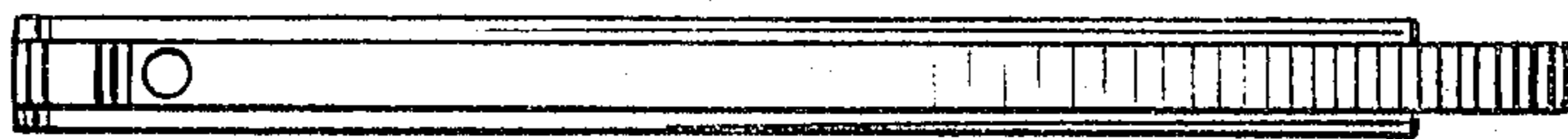


Fig. 4.



Fig. 5.



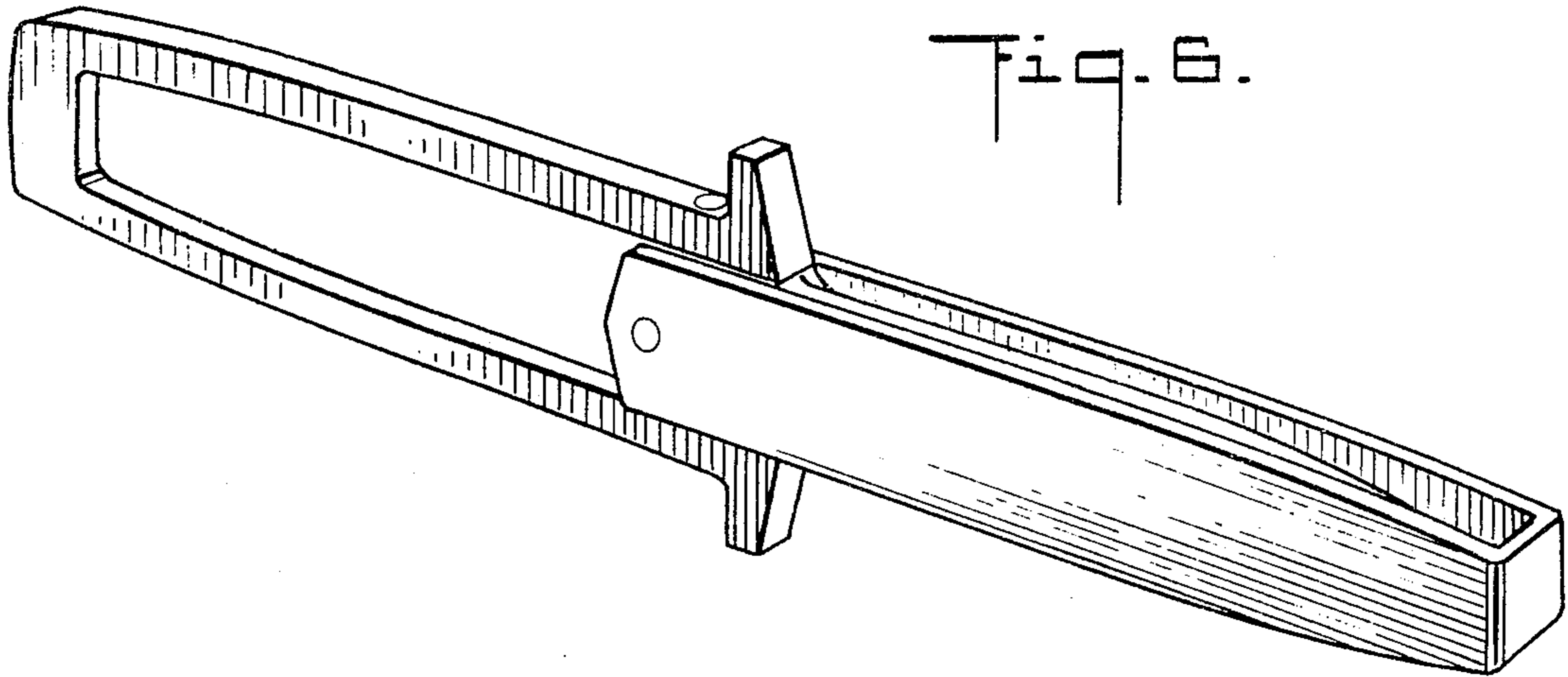


Fig. 6.

Fig. 7.

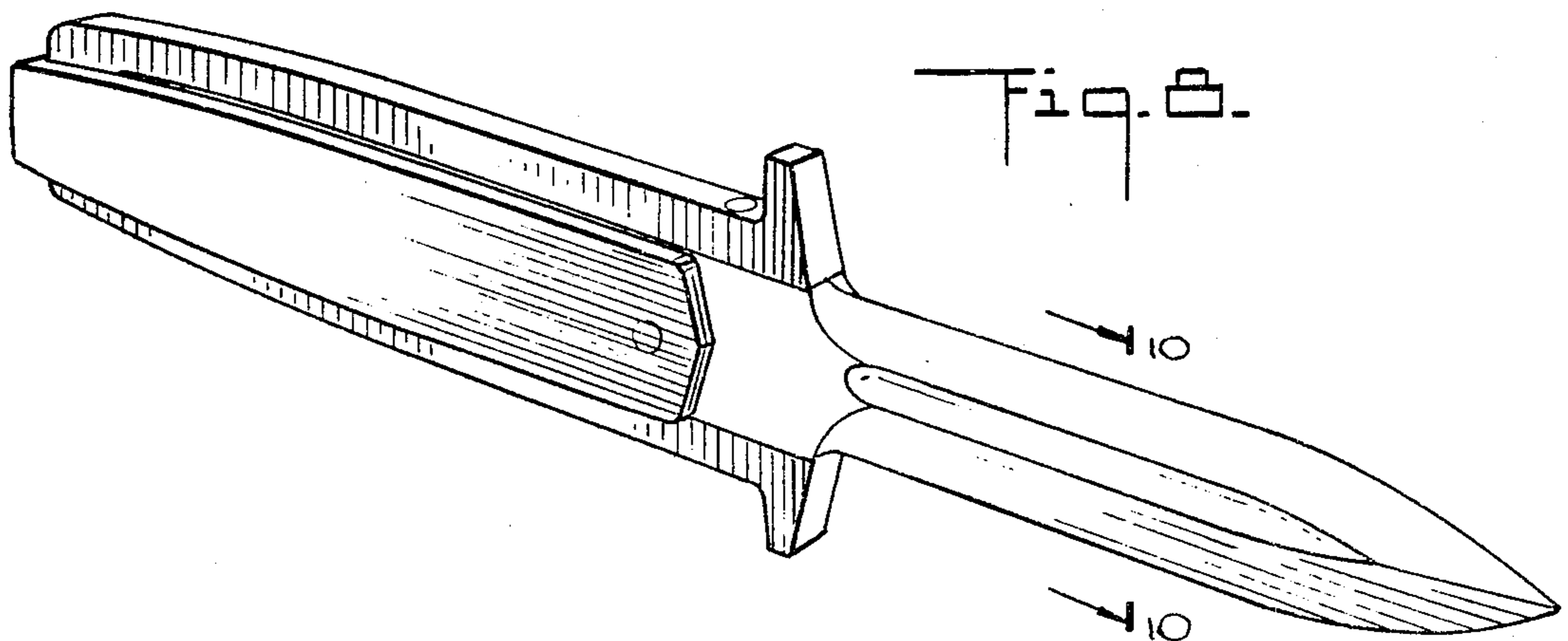


Fig. 8.

Fig. 9.

