

[54] **CABLE PEELING TOOL**

[75] **Inventor: Jan Leyman, Alvangen, Sweden**

[73] **Assignee: SKF Nova AB, Gothenburg, Sweden**

[**] **Term: 14 Years**

[21] **Appl. No.: 341,213**

[22] **Filed: Jan. 21, 1982**

[30] **Foreign Application Priority Data**

Aug. 6, 1981 [SE] Sweden 81-1674
[52] **U.S. Cl. D8/98**
[58] **Field of Search D8/98; 81/9.51;
30/90.1**

[56]

References Cited

U.S. PATENT DOCUMENTS

4,188,841 2/1980 Nakamura et al. 81/9.51

Primary Examiner—Alan P. Douglas
Attorney, Agent, or Firm—Eugene E. Renz, Jr.

[57]

CLAIM

The design for a cable peeling tool, as shown and described.

DESCRIPTION

FIG. 1 is a perspective view of my design for a cable peeling tool;

FIG. 2 is a side elevational view thereof;

FIG. 3 is a side elevational view of the opposite side from FIG. 2;

FIG. 4 is a bottom plan view thereof;

FIG. 5 is a top plan view of my design; and

FIG. 6 is an end elevational view of my design for cable peeling tool.

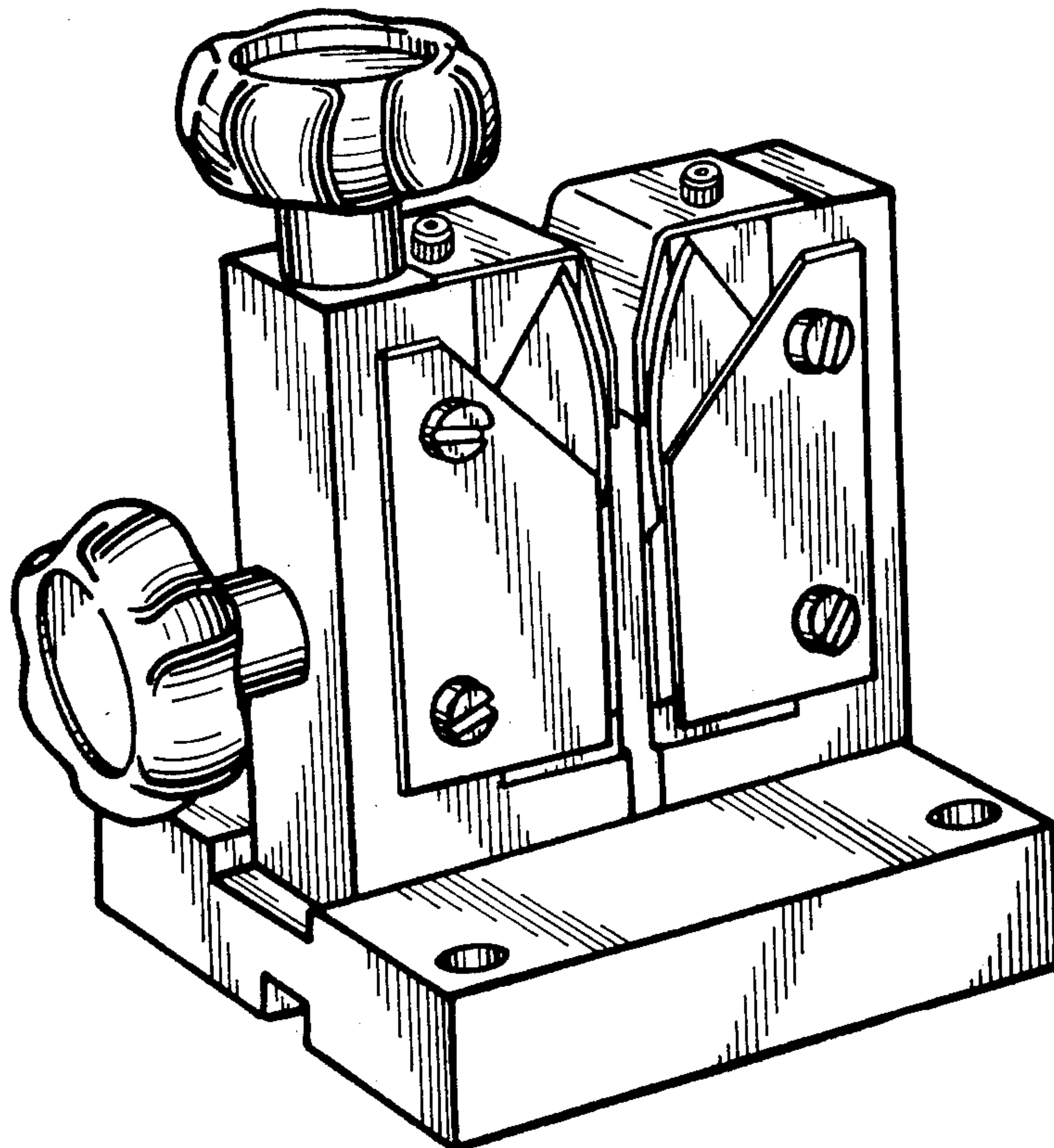


FIG. 1

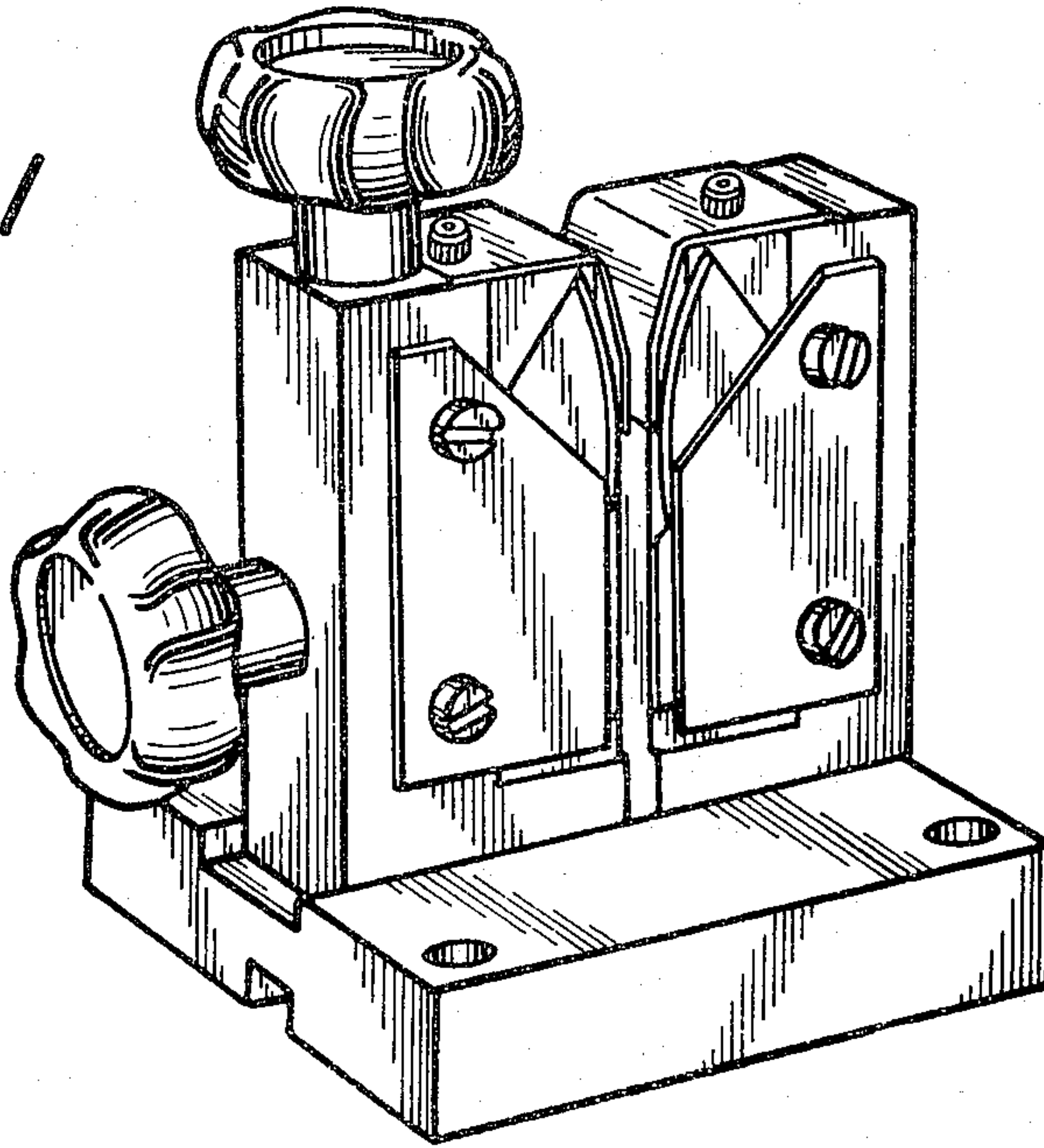


FIG. 2

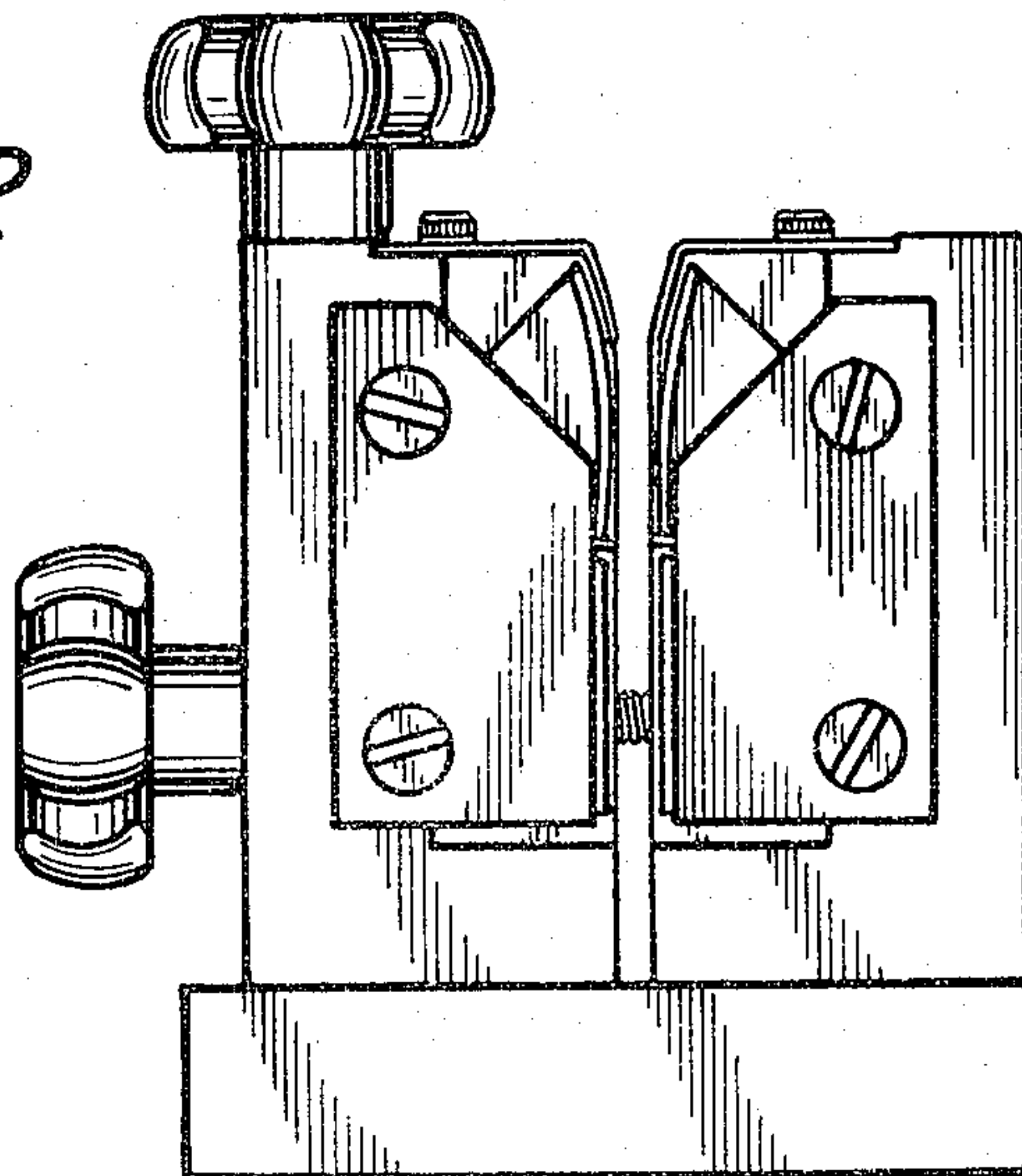


FIG. 3

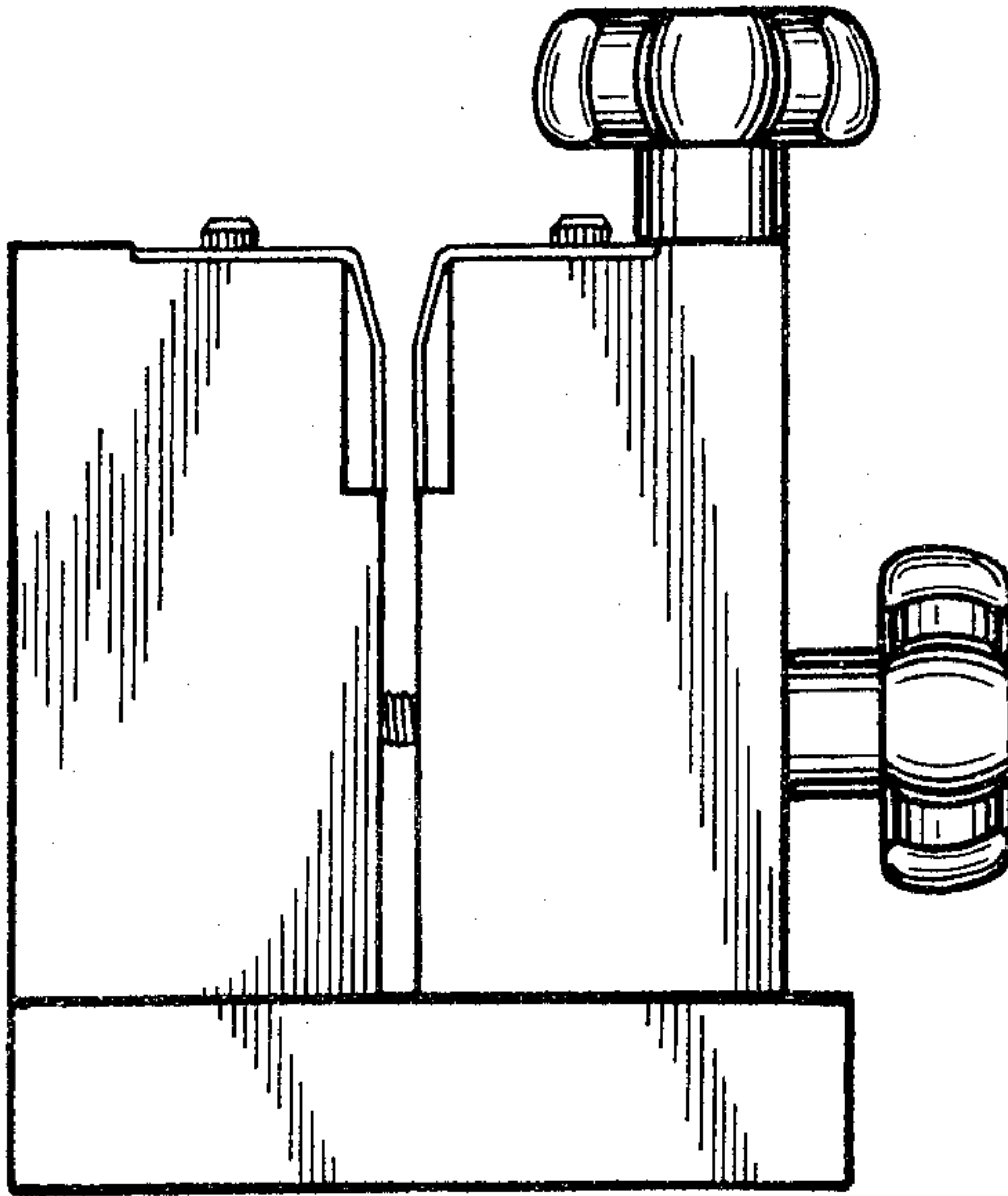


FIG. 4

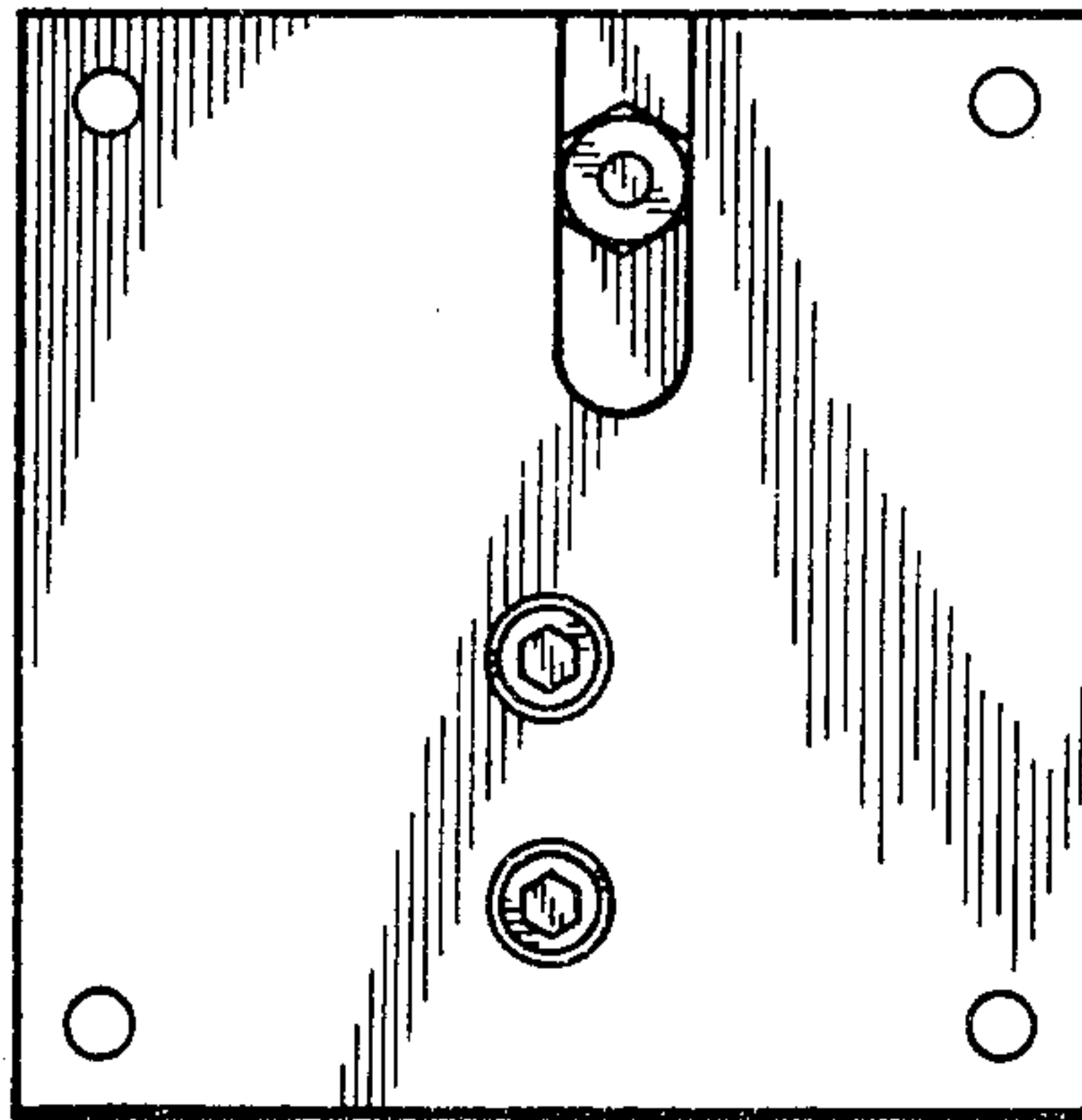


FIG. 5

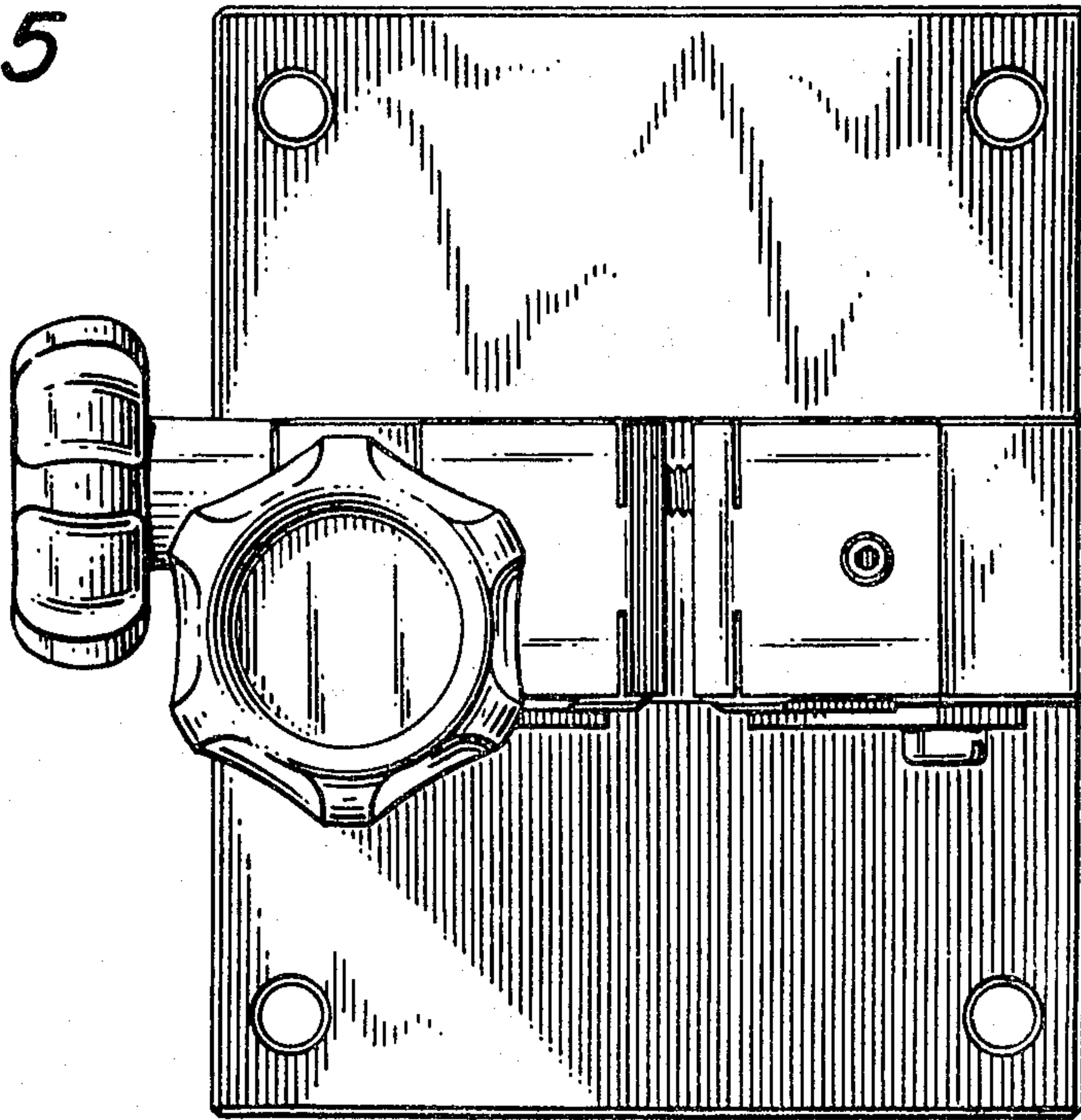


FIG. 6

