

[54] FOOD SLICER

[75] Inventors: Robert W. Becker, Naperville;
 Thurber H. Morrison, Evanston;
 Robert S. Huff, Oak Park, all of Ill.;
 Brent W. Dressel, Elk Mound, Wis.

[73] Assignee: National Presto Industries, Inc., Eau Claire, Wis.

[**] Term: 14 Years

[21] Appl. No.: 366,185

[22] Filed: Apr. 7, 1982

[52] U.S. Cl. D7/381; D7/139;
 D7/385

[58] Field of Search D7/368, 381, 383, 385,
 D7/386, 412, 139; 83/167; 99/576; D8/64

[56] References Cited

U.S. PATENT DOCUMENTS

D. 148,703	2/1948	Ingram et al.	D7/381
D. 162,106	2/1951	Wolff	D7/381
D. 249,044	8/1978	Popeil	D7/381
D. 264,542	5/1982	Doyel	D7/381
D. 268,562	4/1983	Bright	D7/381
787,614	4/1905	Dorsey	83/701
2,638,950	5/1953	Messen	83/720
3,133,570	5/1964	Leszczynski	D7/381 X

3,853,048	12/1974	Collins	D7/412 X
3,890,867	6/1975	Wilson	83/404
3,942,399	3/1976	Giangiulio	83/4
4,038,892	8/1977	Popeil	83/4
4,152,963	5/1979	Ramanik et al.	83/762
4,212,431	7/1980	Doyel	83/167

OTHER PUBLICATIONS

Catalog by Daytons of Minneapolis, Minn. Mar./Apr. 81, p. 14, Item 14C top row, "Rival" Fold Away Slicer.

Primary Examiner—Winifred E. Herrmann
 Attorney, Agent, or Firm—Merchant, Gould, Smith,
 Edell, Welter & Schmidt

[57] CLAIM

The ornamental design for a food slicer, substantially as shown.

DESCRIPTION

FIG. 1 is a front and top-left perspective view of a food slicer showing our new design;
 FIG. 2 is a rear and top-right perspective thereof;
 FIG. 3 is a top plan view thereof;
 FIG. 4 is a front elevational view thereof;
 FIG. 5 is a bottom plan view thereof;
 FIG. 6 is a rear elevational view thereof;
 FIG. 7 is a left side elevational view thereof; and
 FIG. 8 is a right side elevational view thereof.

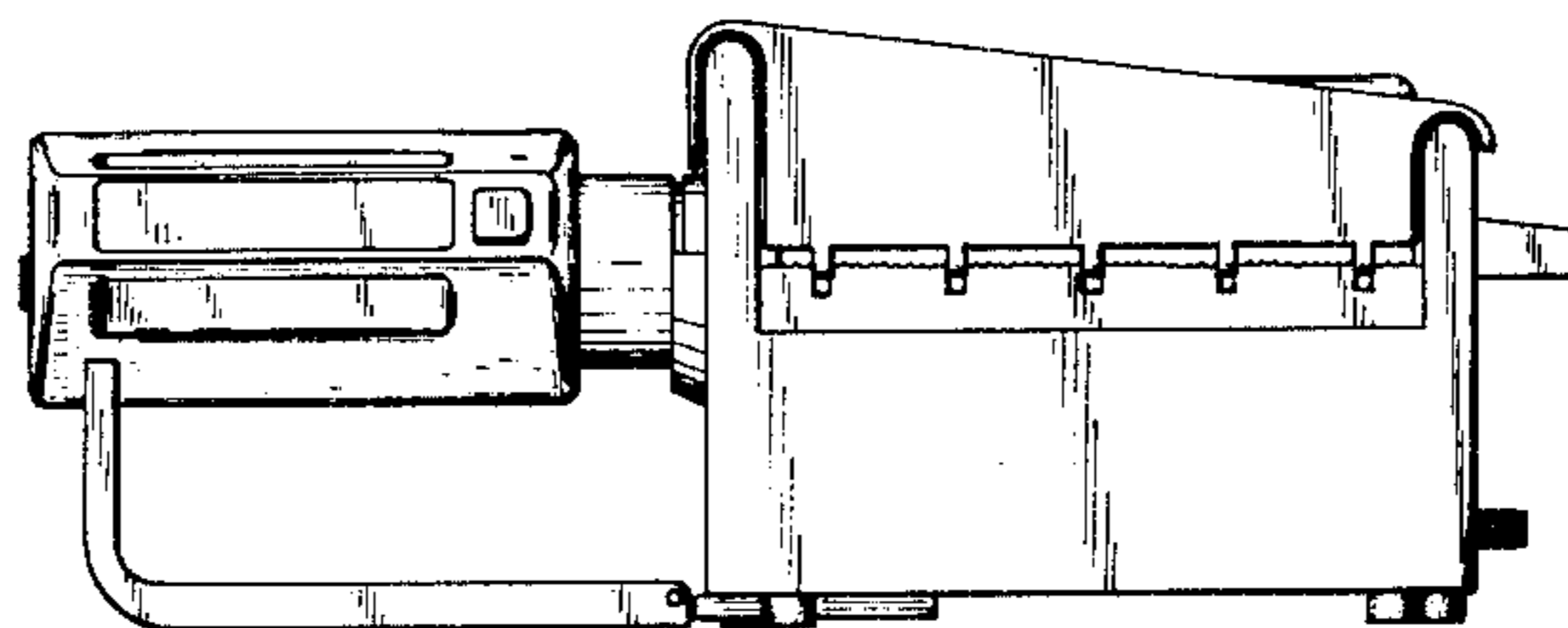
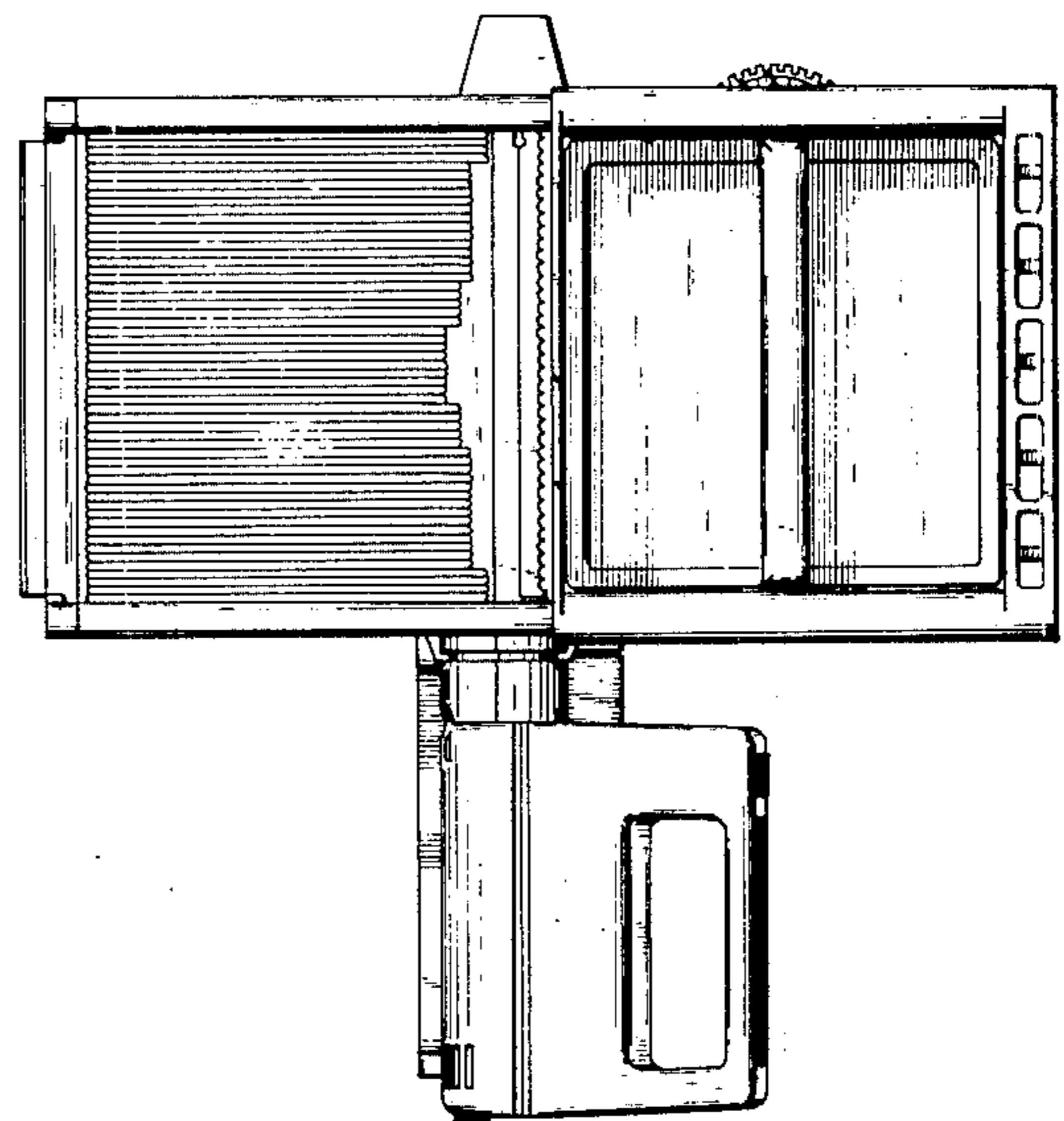
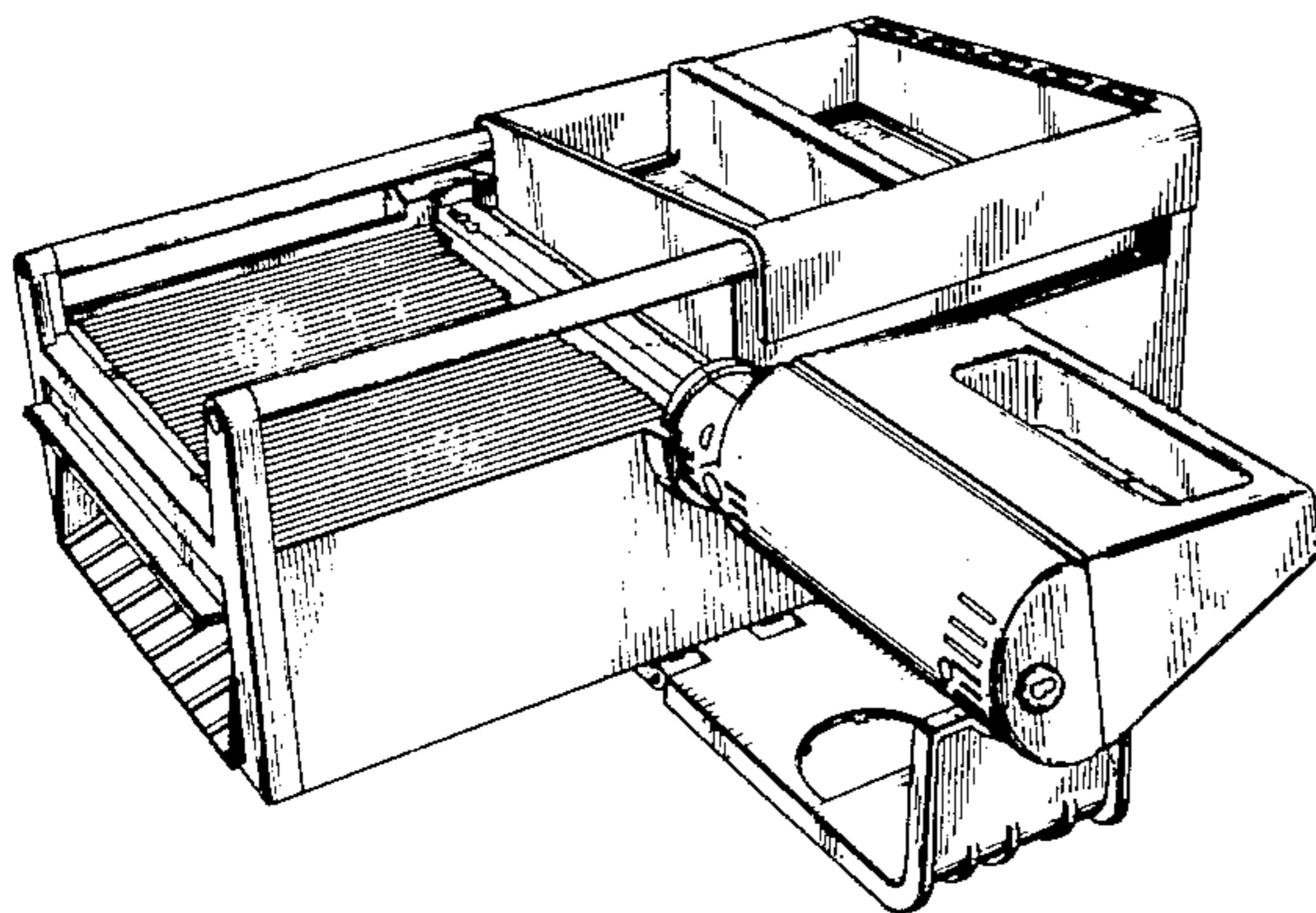


FIG. 1

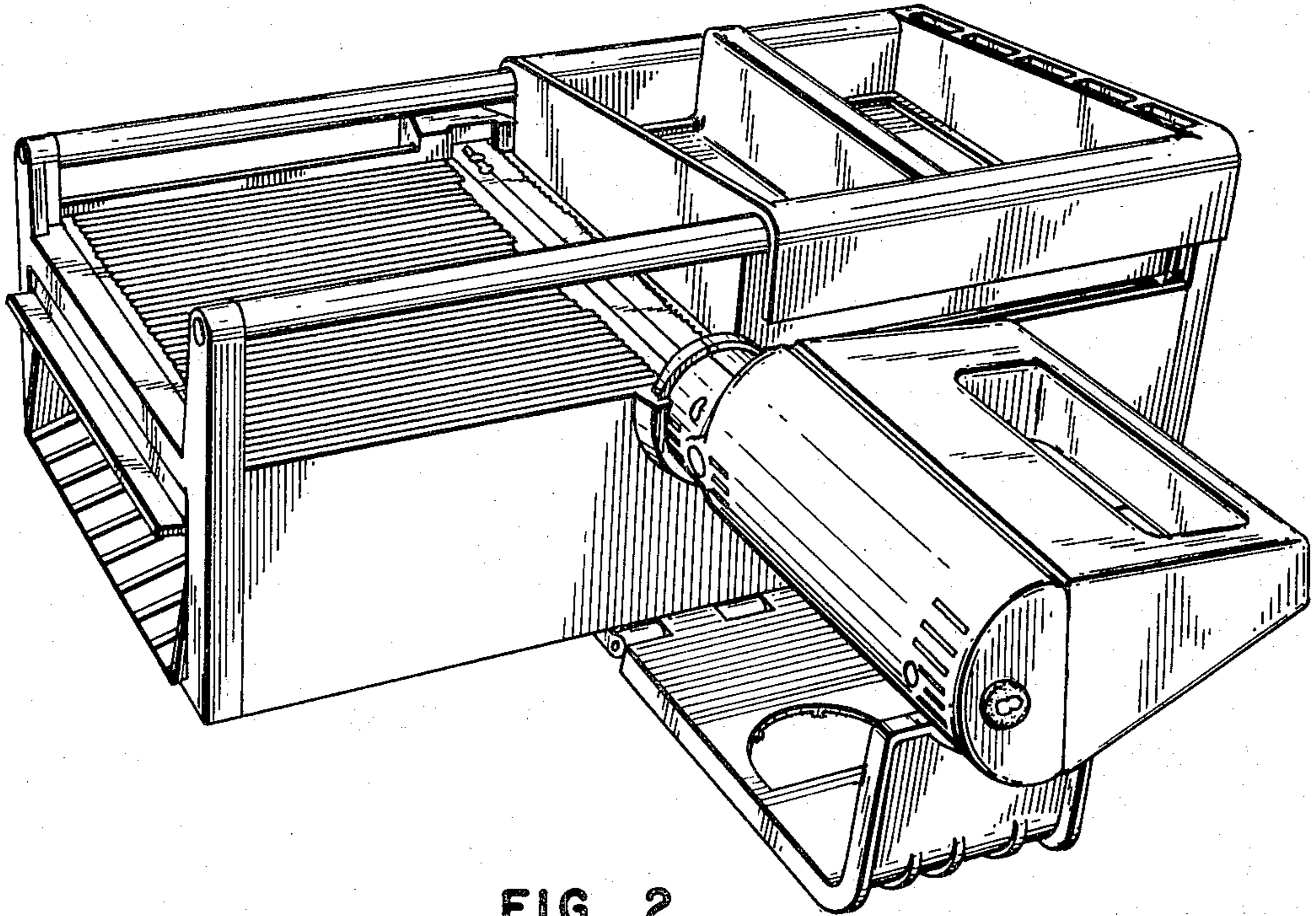


FIG. 2

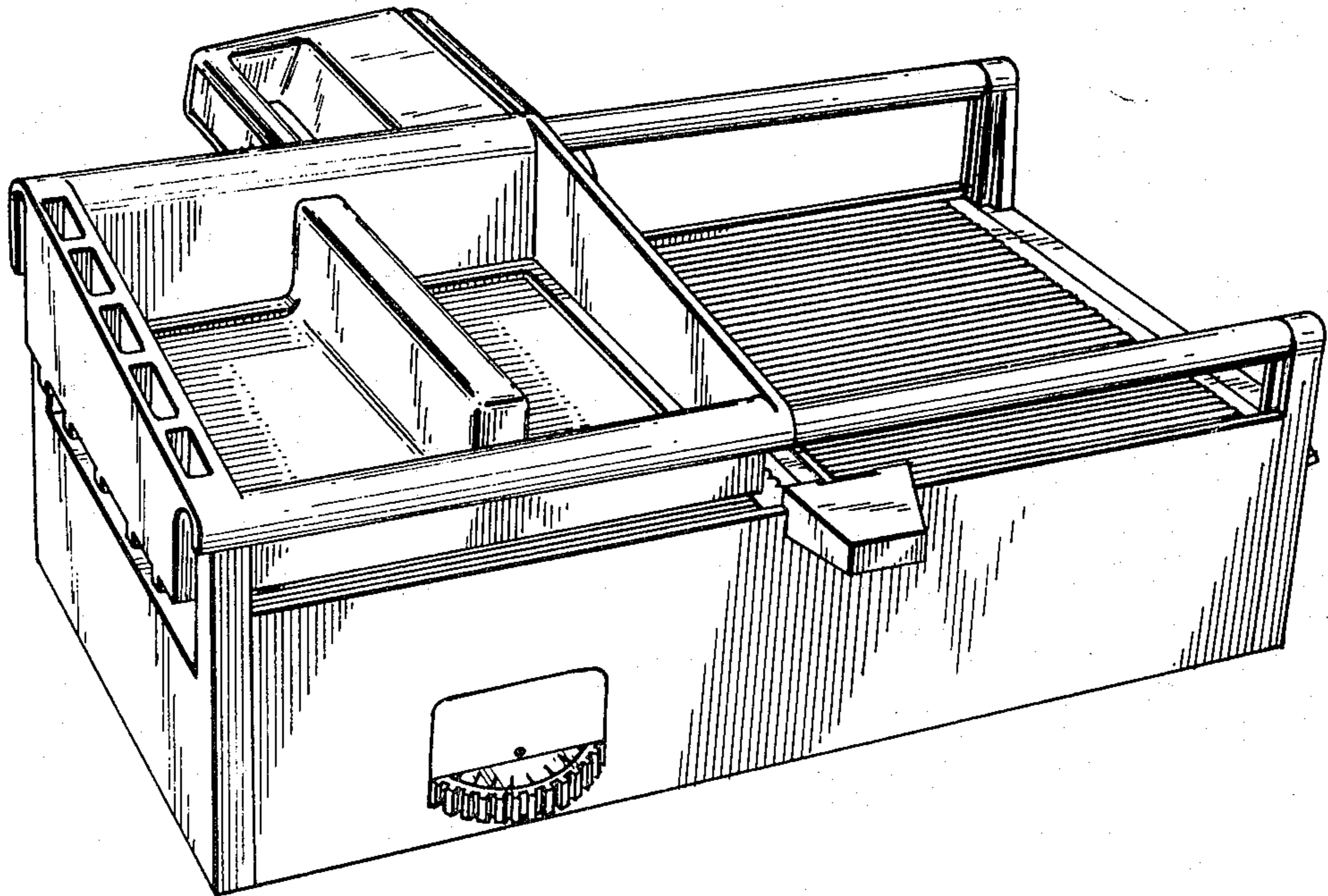


FIG. 3

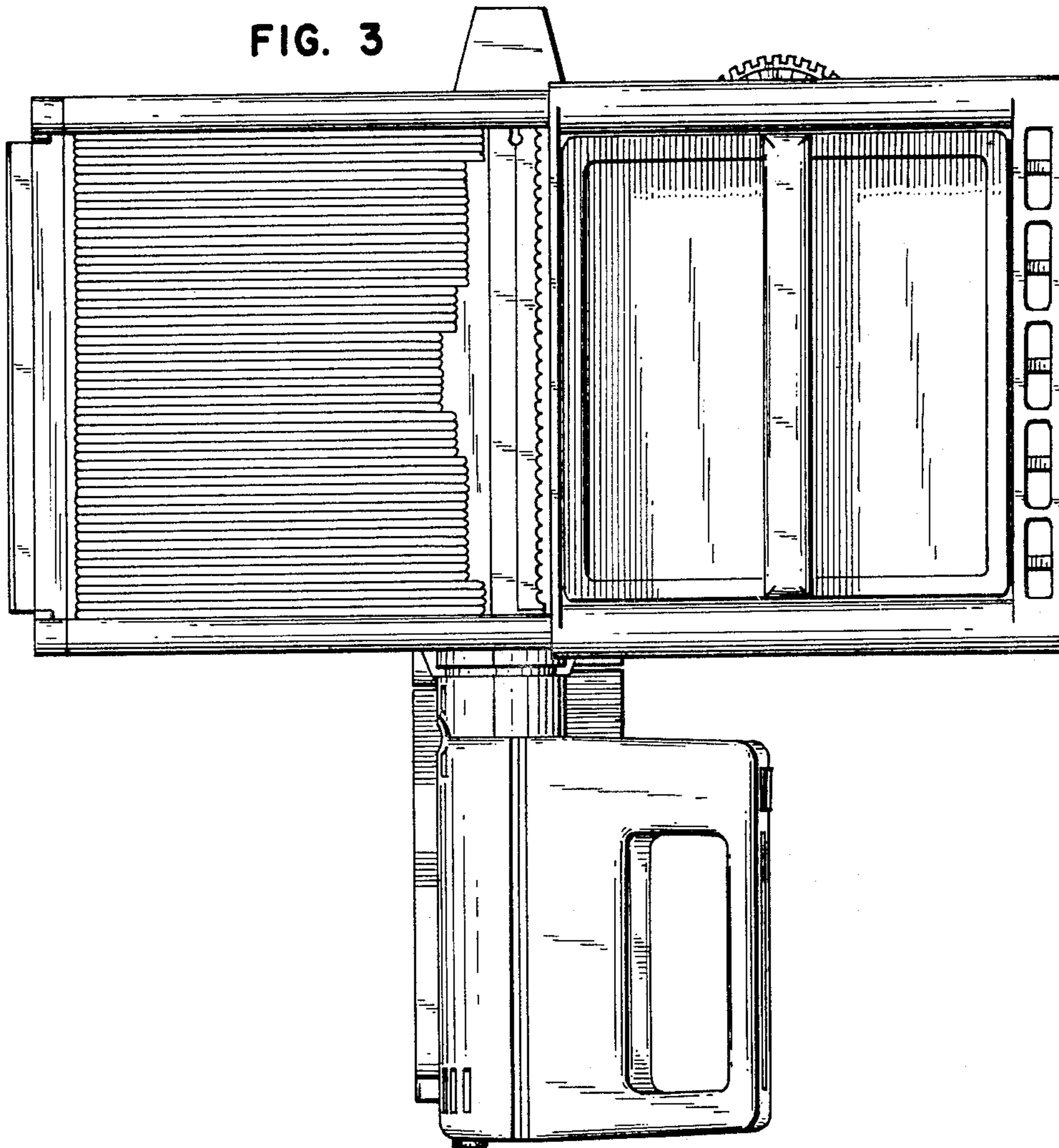
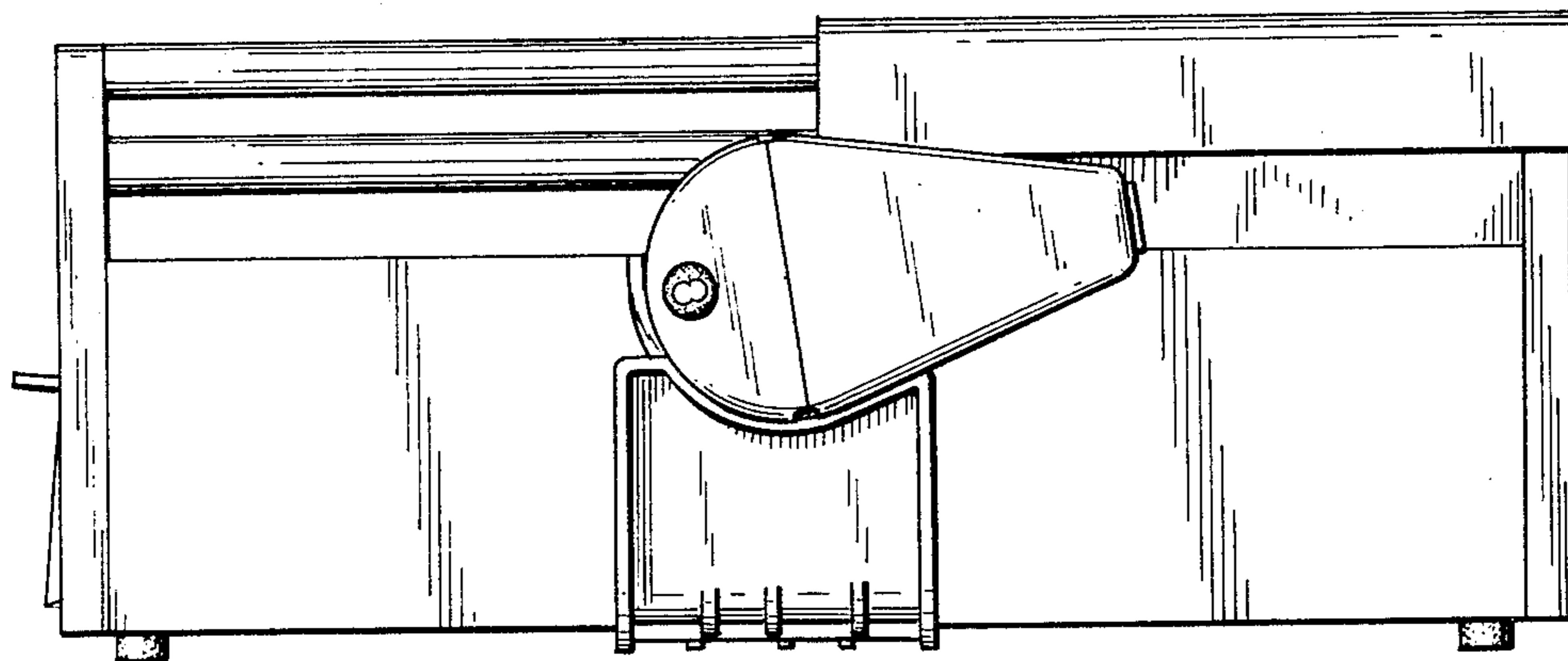


FIG. 4



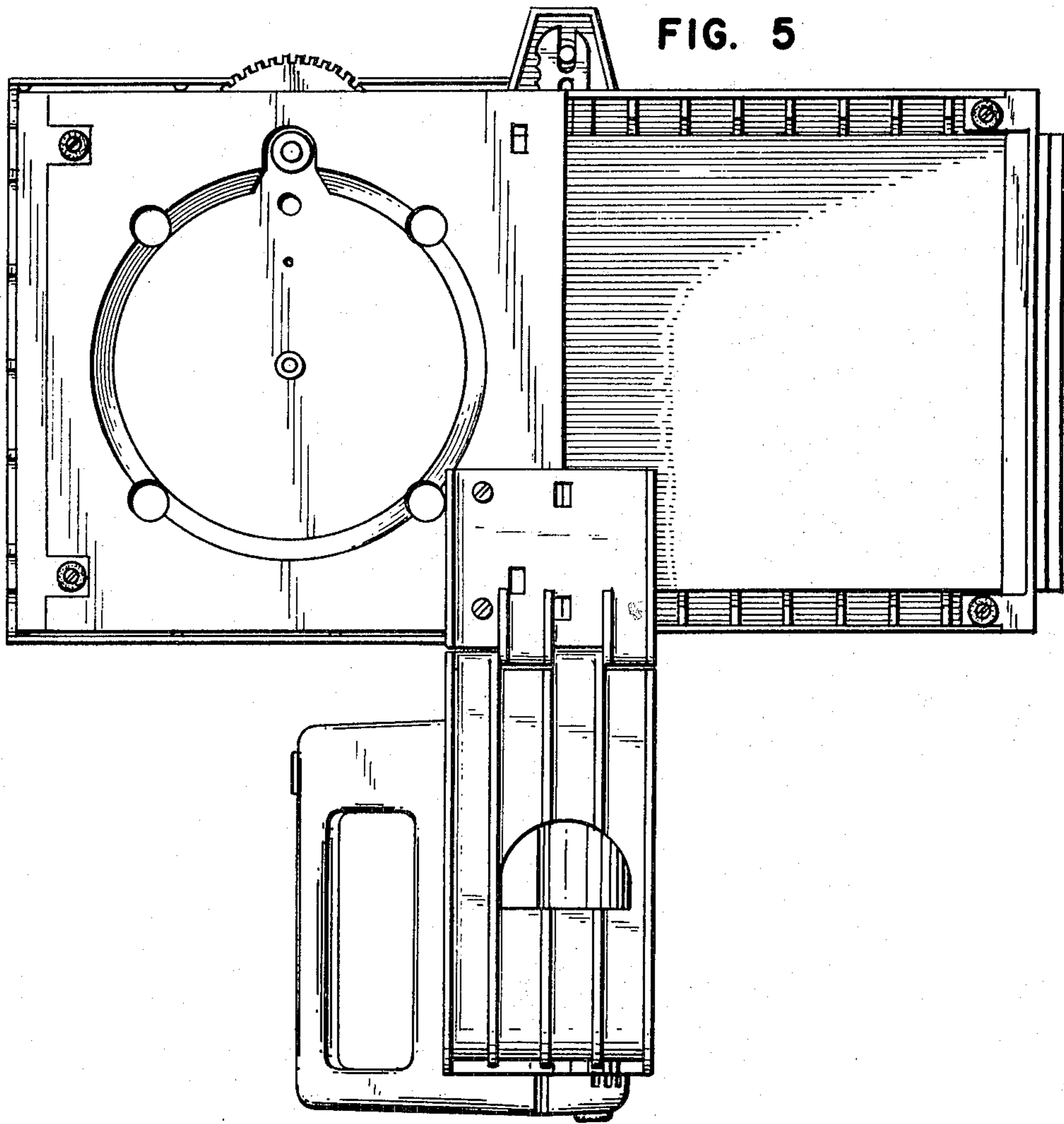


FIG. 6

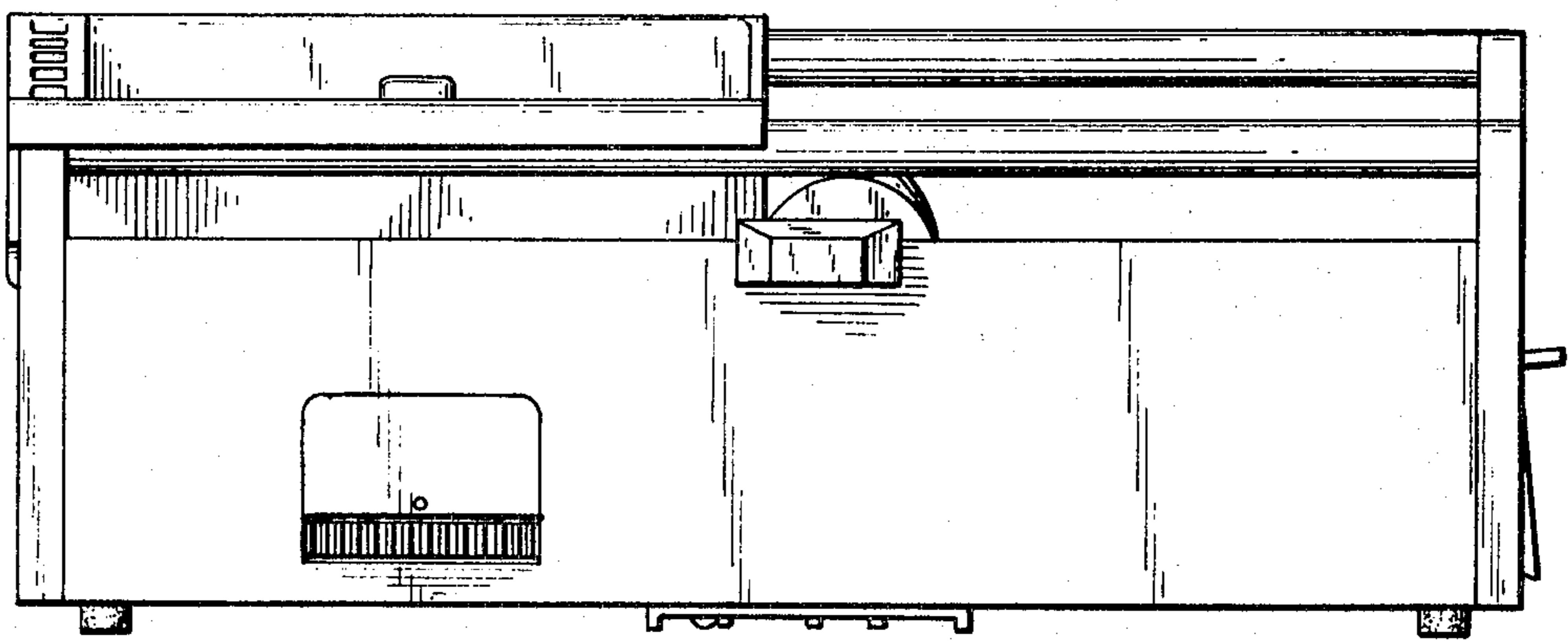


FIG. 7

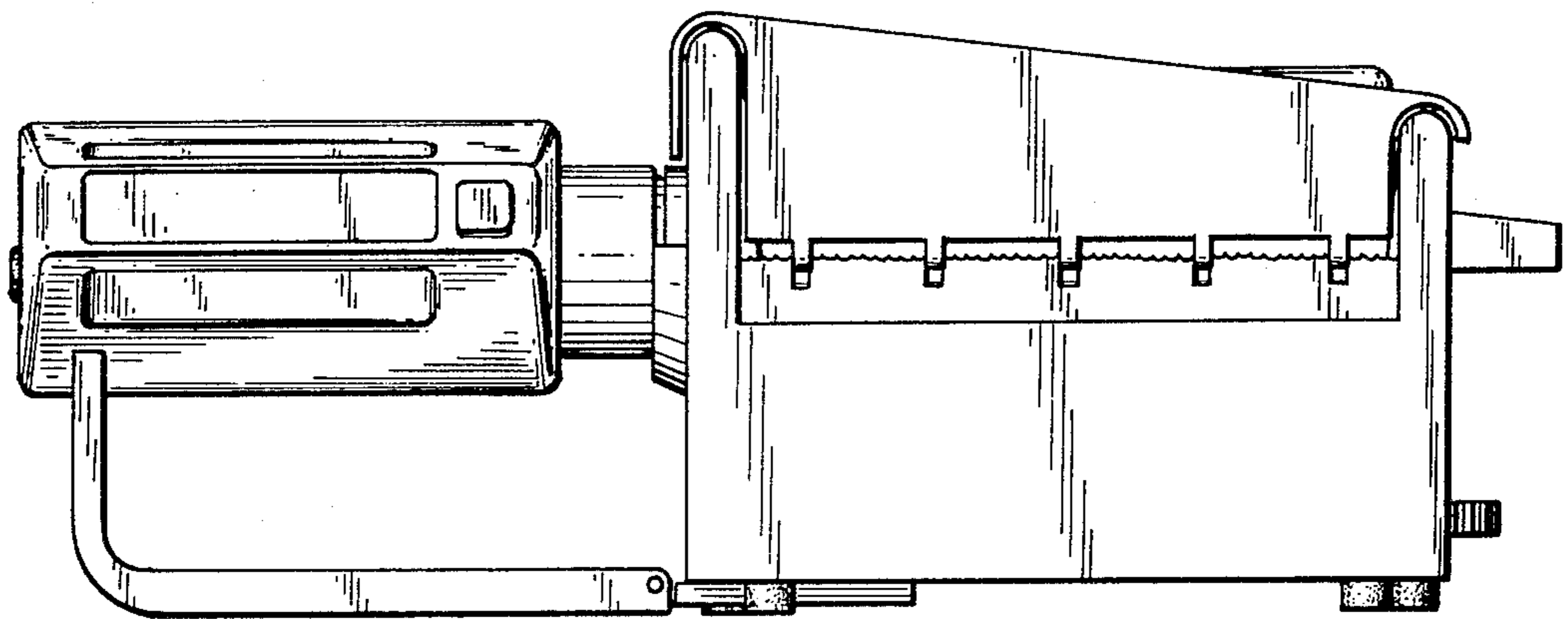


FIG. 8

