

# United States Patent [19]

Mize

[11] Patent Number: **Des. 275,437**

[45] Date of Patent: **\*\* Sep. 11, 1984**

[54] **HANGER**

[76] Inventor: **Glenda M. Mize, P.O. Box 22,  
Bentley, La. 71407**

[\*\*] Term: **14 Years**

[21] Appl. No.: **411,082**

[22] Filed: **Aug. 23, 1982**

[52] U.S. Cl. .... **D6/315**

[58] Field of Search ..... **D6/113, 247, 250, 251,  
D6/255; 211/13, 113, 115, 117, 118, 119;  
223/85, DIG. 1**

[56] **References Cited**

### U.S. PATENT DOCUMENTS

D. 126,801 4/1941 Rhodes ..... D6/255

D. 164,710 10/1951 Perry ..... D6/255  
D. 195,017 4/1963 Wilhelm ..... D6/255  
2,634,031 4/1953 Klein ..... 211/119

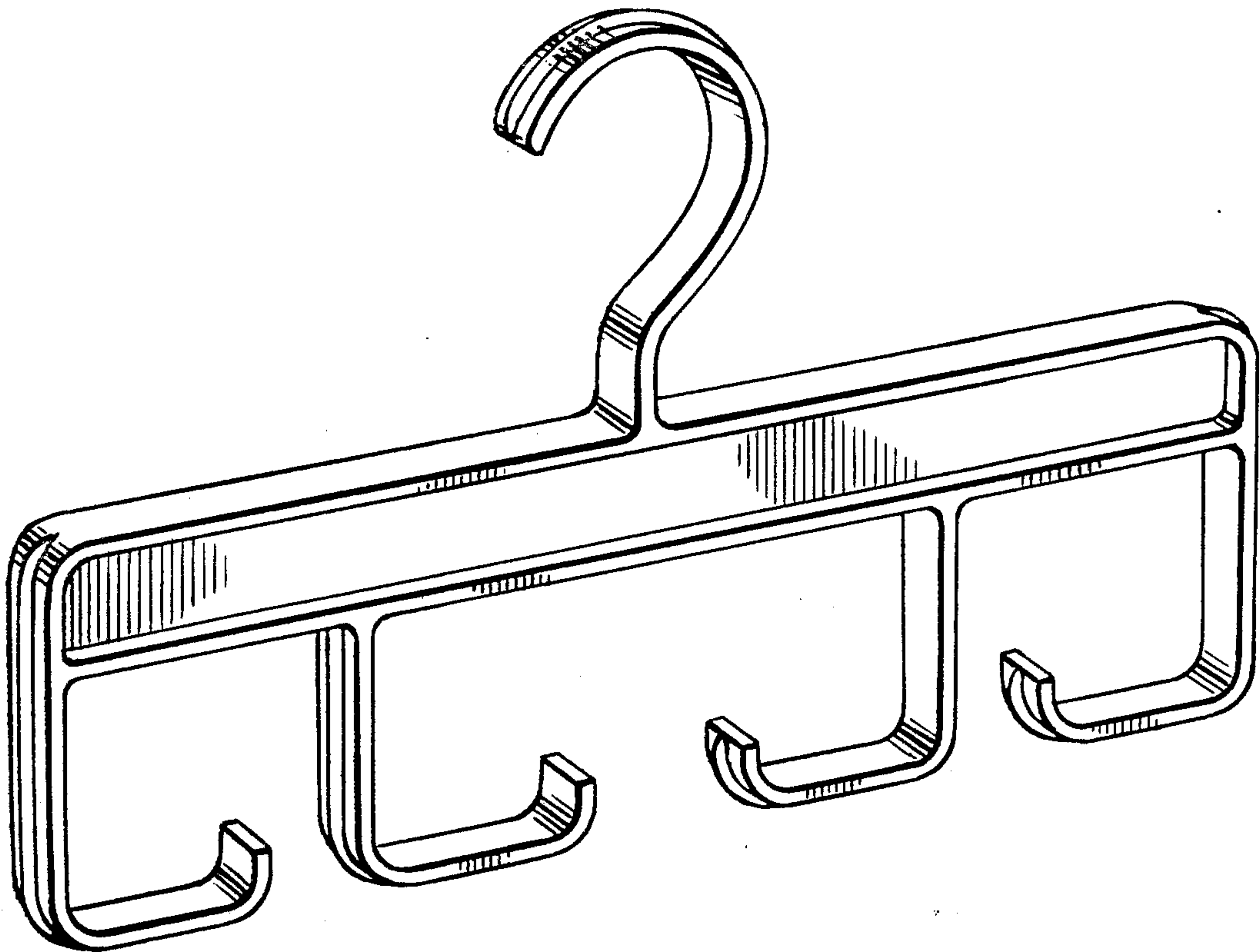
*Primary Examiner*—B. J. Bullock  
*Attorney, Agent, or Firm*—Harvey B. Jacobson

[57] **CLAIM**

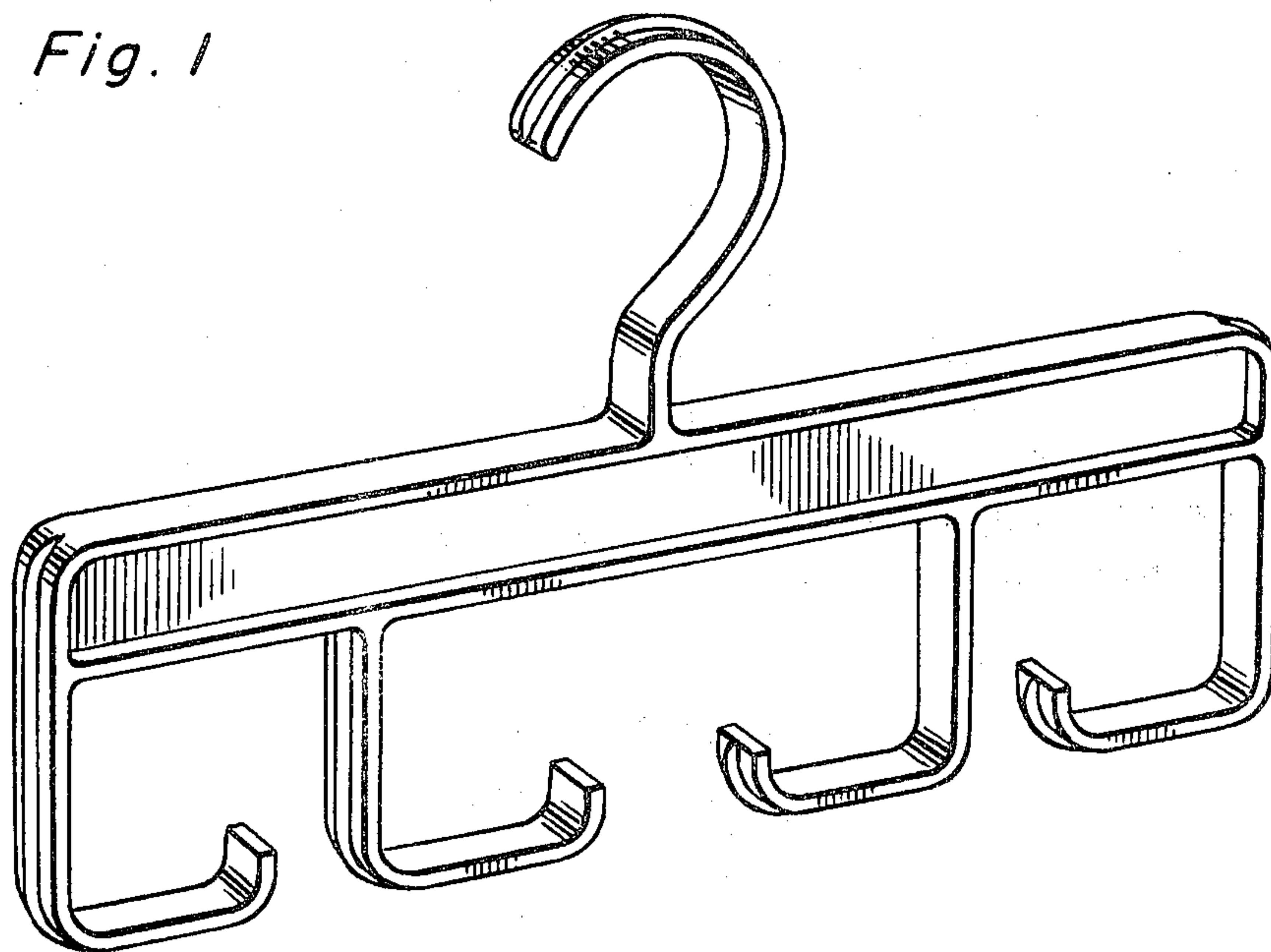
The ornamental design for a hanger, as shown and described.

### DESCRIPTION

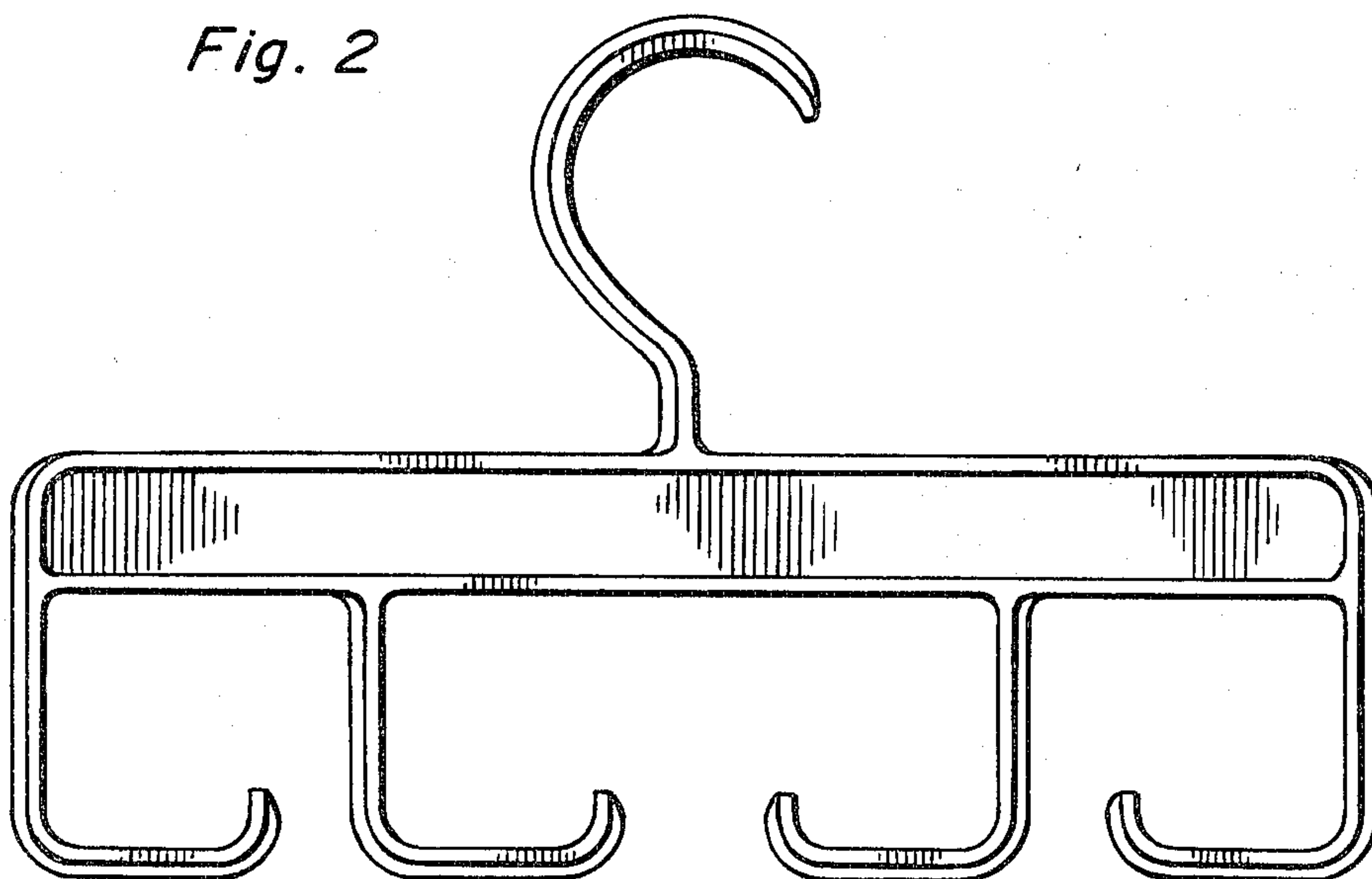
FIG. 1 is a front perspective view of a hanger showing my new design;  
FIG. 2 is a rear elevational view thereof;  
FIG. 3 is a side elevational view taken from the right of FIG. 1; and  
FIG. 4 is a bottom plan view thereof.



*Fig. 1*



*Fig. 2*



*Fig. 3*



*Fig. 4*

