

# United States Patent [19]

Taub

[11] Patent Number: **Des. 275,434**

[45] Date of Patent: **\*\* Sep. 11, 1984**

[54] **SHELF FOR DISPLAY ASSEMBLY**

[75] Inventor: **Ronald H. Taub, Highland Park, Ill.**

[73] Assignee: **Mars, Incorporated, McLean, Va.**

[\*\*] Term: **14 Years**

[21] Appl. No.: **317,288**

[22] Filed: **Nov. 2, 1981**

[52] U.S. Cl. .... **D6/511; D6/458**

[58] Field of Search ..... **D6/114, 130, 132, 134, D6/136, 191; 211/88, 90, 134, 153, 181; 40/10 R, 16, 27.5**

[56] **References Cited**

### U.S. PATENT DOCUMENTS

D. 204,111 3/1966 Stromquist ..... D6/132

D. 242,888 1/1977 Mazie et al. .... D6/132

D. 265,703 8/1982 Zaro ..... D6/132

4,072,246 2/1978 Paulin ..... D6/136

4,361,099 11/1982 Kokenge et al. .... 108/152

*Primary Examiner*—**B. J. Bullock**

*Attorney, Agent, or Firm*—**Curtis, Morris & Safford**

[57] **CLAIM**

The ornamental design for a shelf for display assembly, as shown and described.

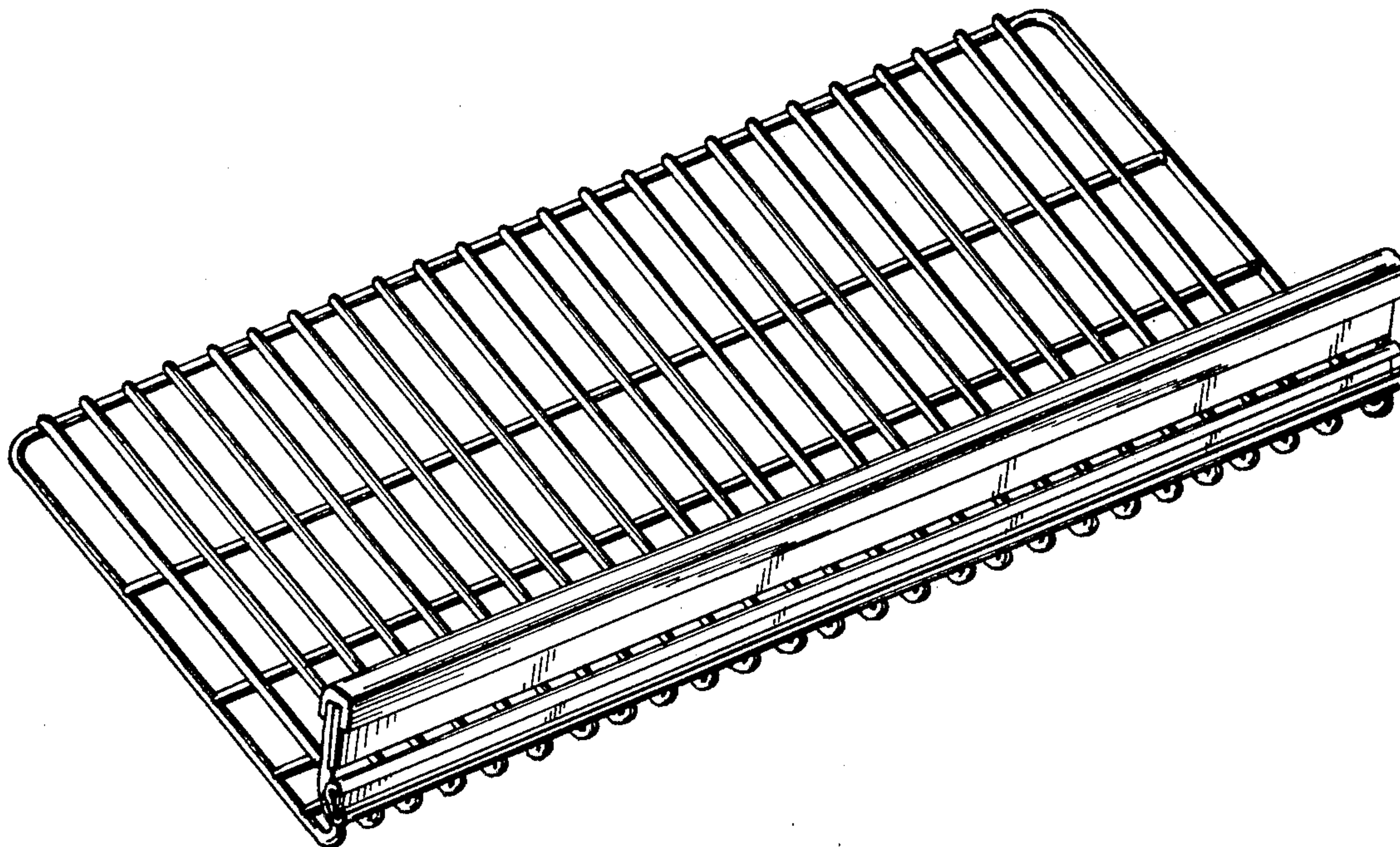
### DESCRIPTION

FIG. 1 is a perspective view of a shelf for display assembly showing my new design;

FIG. 2 is a side elevational view taken from the left of FIG. 1, the side opposite being a mirror image thereof;

FIG. 3 is a top plan view thereof; and

FIG. 4 is a front elevational view thereof.



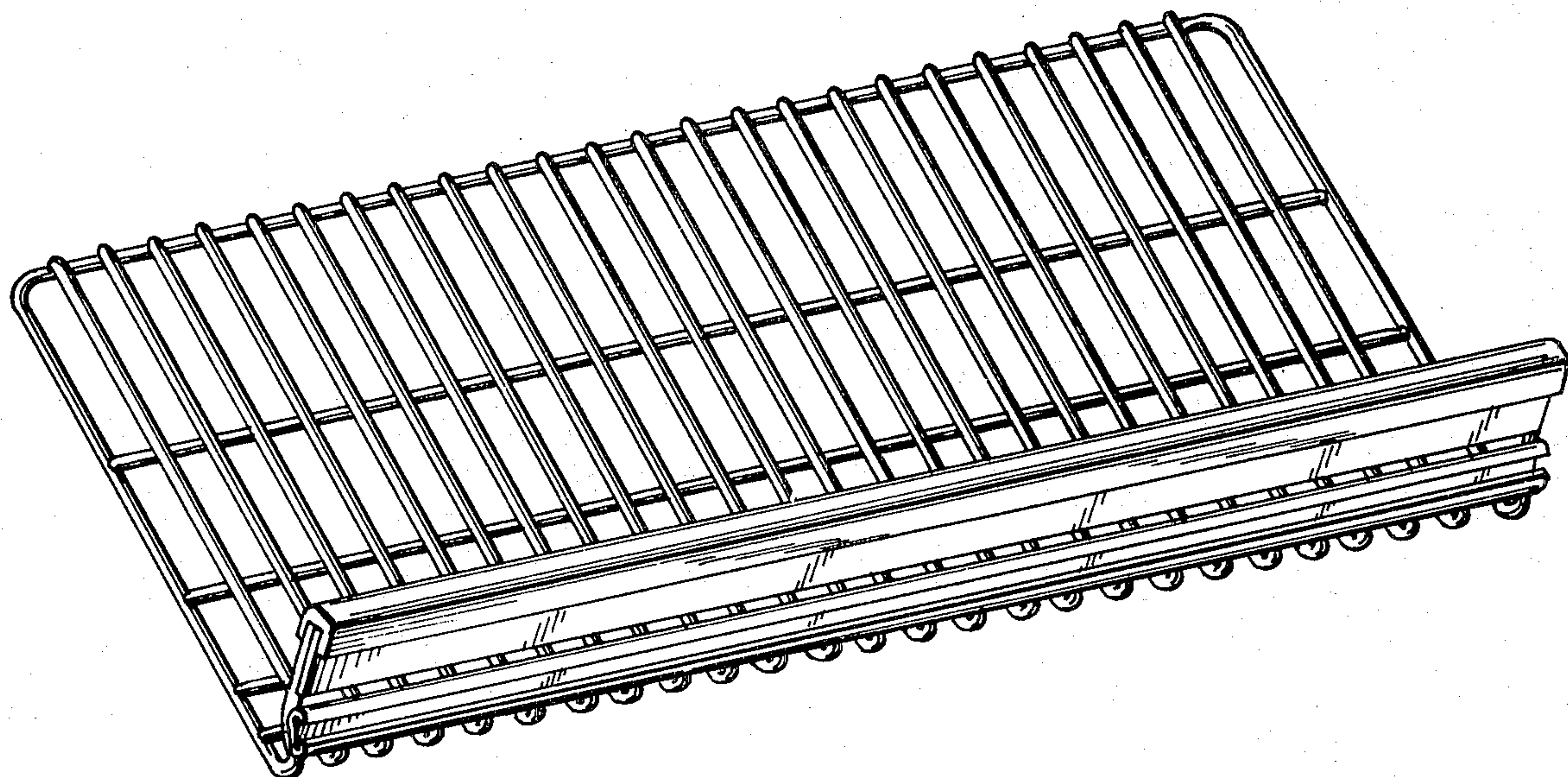


FIG. 1

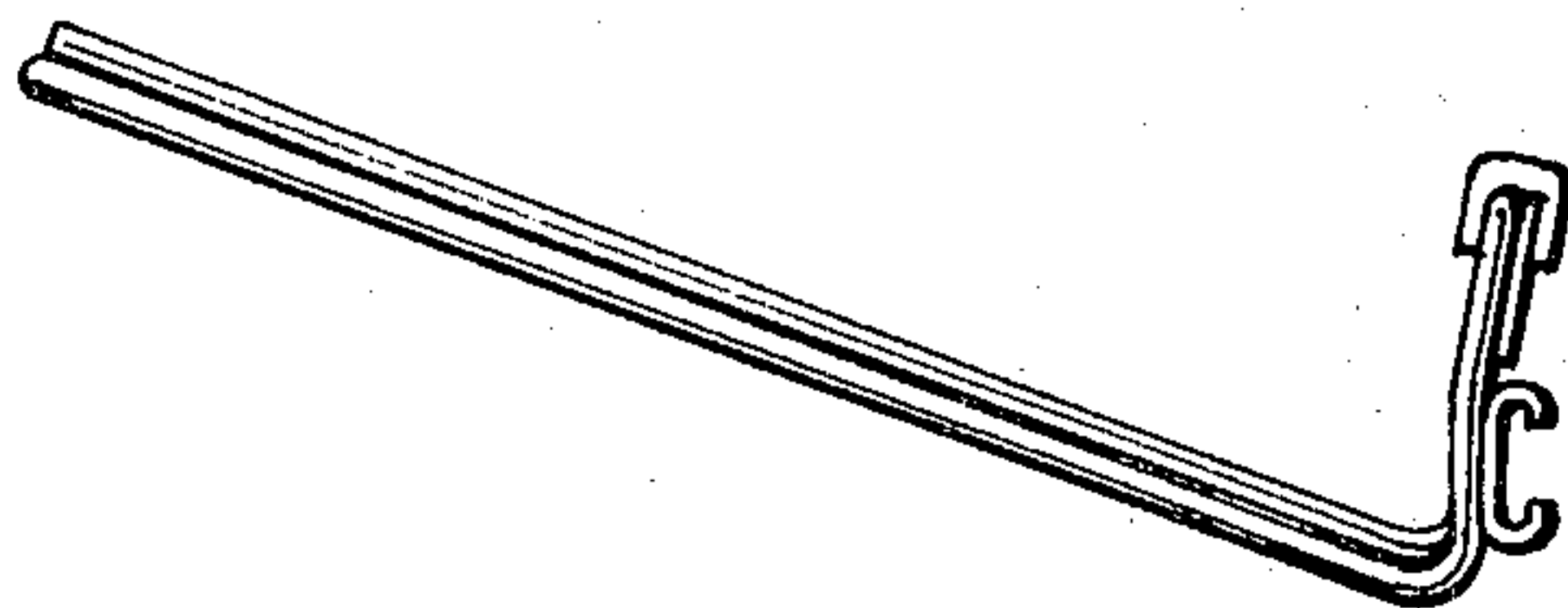


FIG. 2



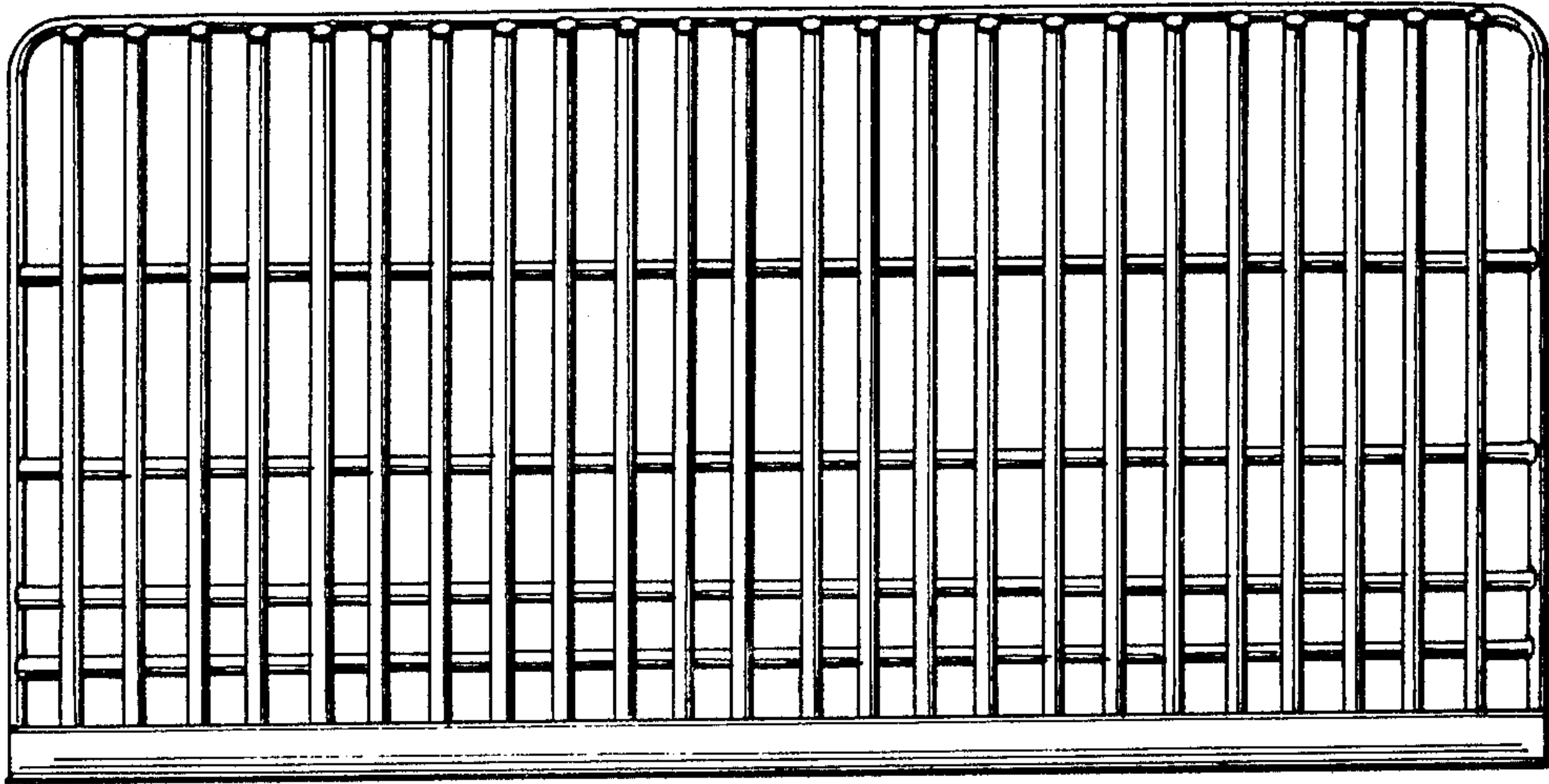


FIG. 3

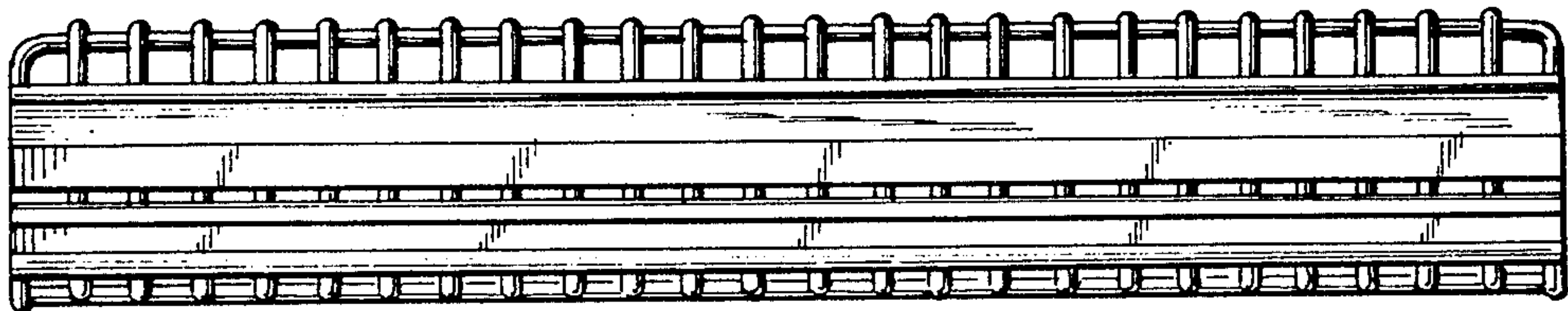


FIG. 4