

[54] WINE GLASS HOLDER

4,228,905 10/1980 Cammarota 211/71

[76] Inventor: Edward J. Boland, II, 1049 Amito Ave., Berkeley, Calif. 94704

Primary Examiner—B. J. Bullock
Attorney, Agent, or Firm—James R. Cypher

[**] Term: 14 Years

[57] CLAIM

[21] Appl. No.: 401,128

The ornamental design for a wine glass holder, substantially as shown and described.

[22] Filed: Jul. 23, 1982

DESCRIPTION

[52] U.S. Cl. D6/514; D7/71; D6/515

[58] Field of Search D6/113; D7/71; 211/13, 211/71, 74, 94.5, 113, 115, 117, 118, 119, 162

FIG. 1 is a top perspective view of the wine glass holder showing my new design;

FIG. 2 is a top plan view thereof;

FIG. 3 is a front elevational view thereof, the rear elevational view being identical;

FIG. 4 is a sectional view taken along line 4—4 of FIG. 2;

FIG. 5 is a left side elevational view thereof, the right side elevational view being identical;

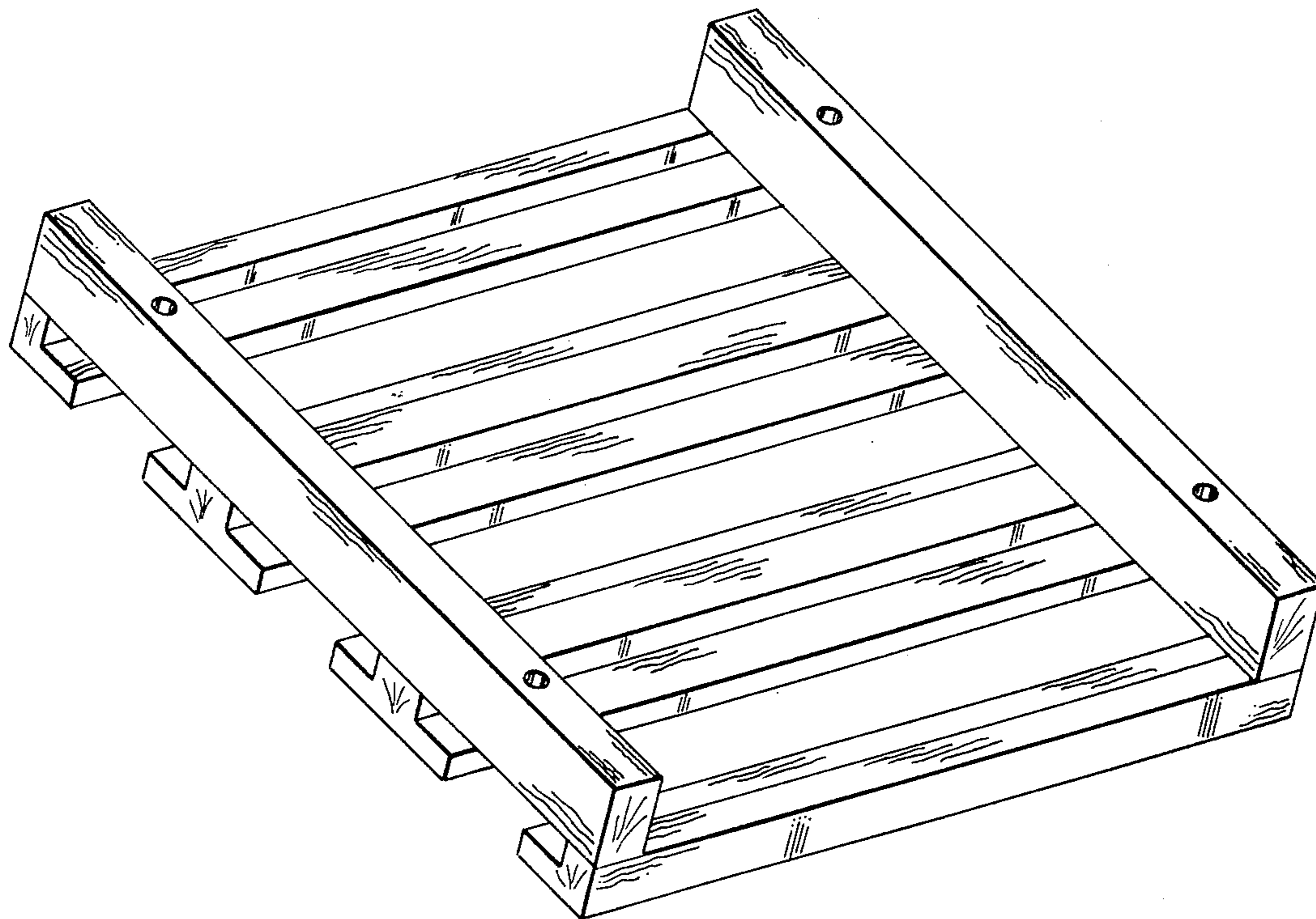
FIG. 6 is a sectional view taken along line 6—6 of FIG. 2;

FIG. 7 is a bottom plan view thereof.

[56] References Cited

U.S. PATENT DOCUMENTS

D. 259,452	6/1981	Hoffman	D6/113
D. 267,914	2/1983	Lin	D7/71
D. 269,926	8/1983	White	D6/113
3,022,899	2/1962	Unsworth	87/71
3,491,893	1/1970	Morris	211/162



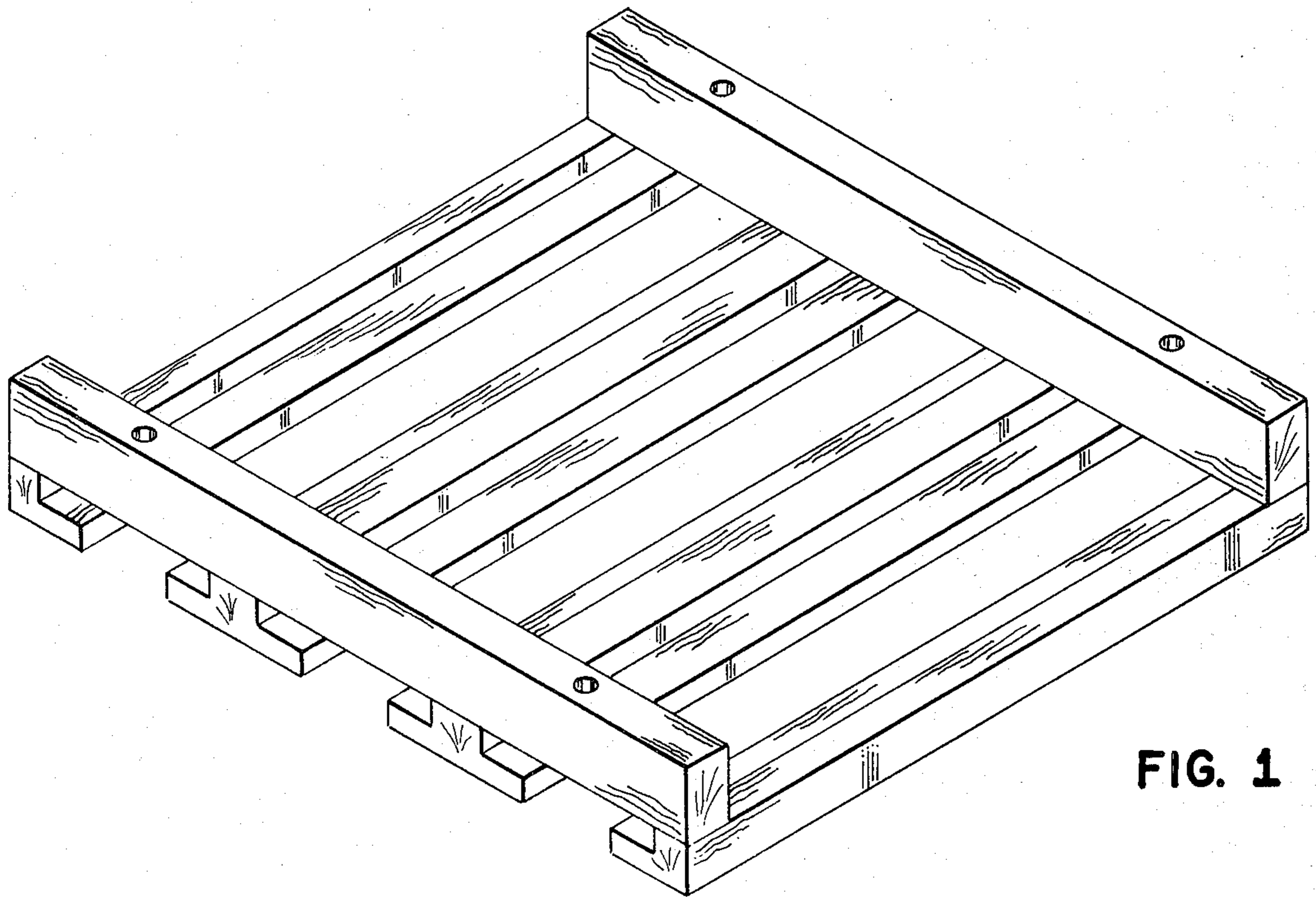


FIG. 1

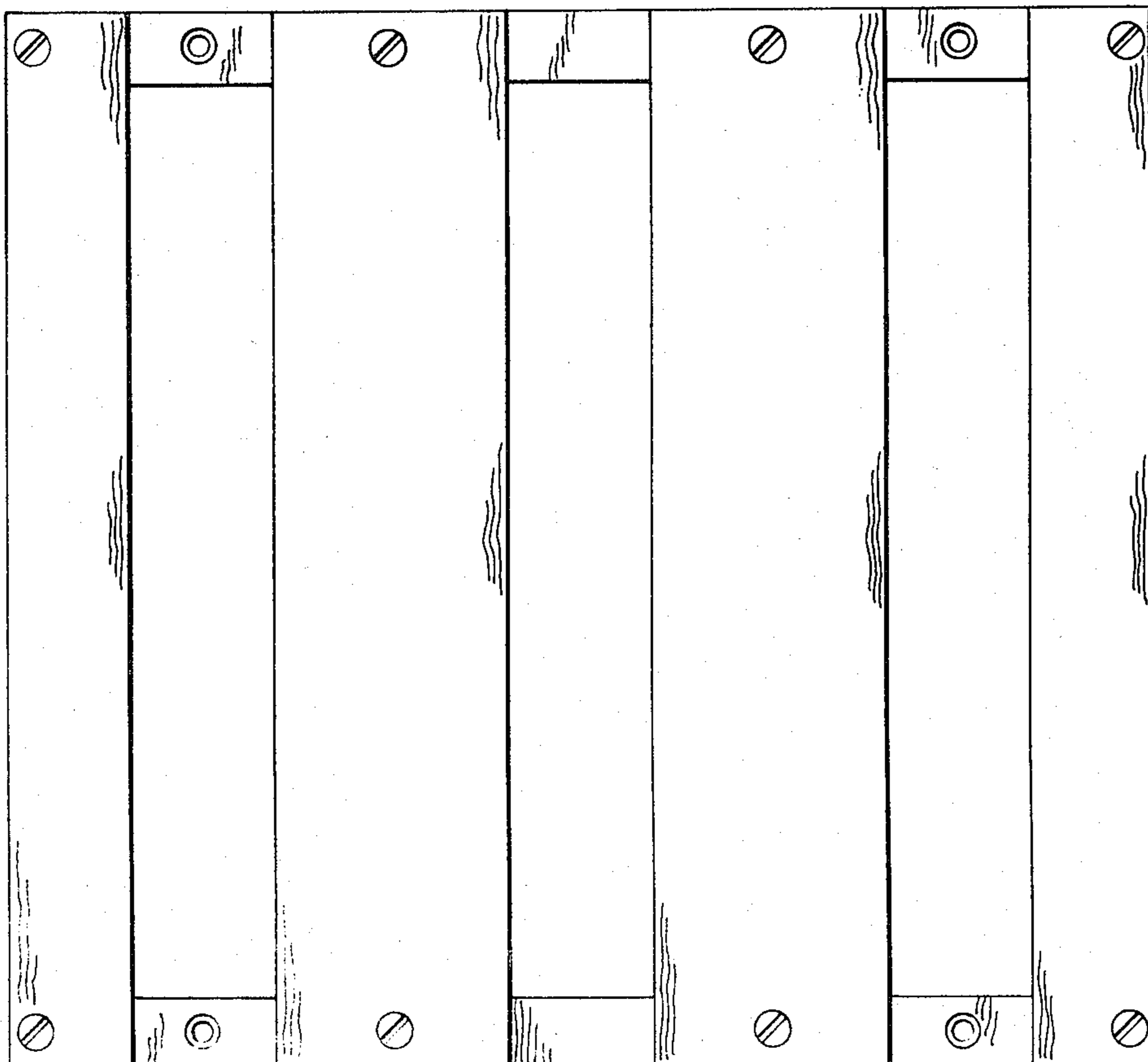


FIG. 7

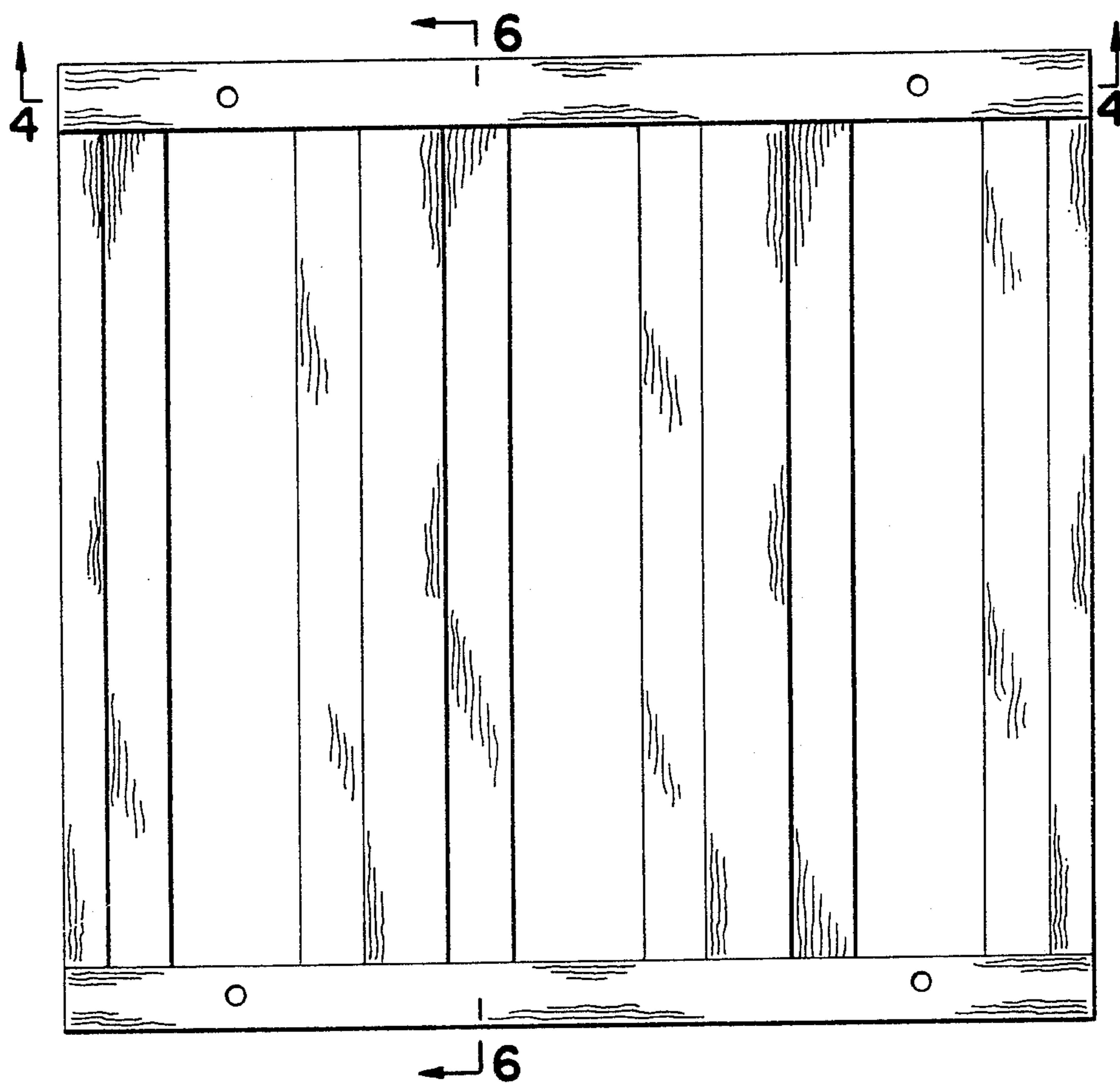


FIG. 2

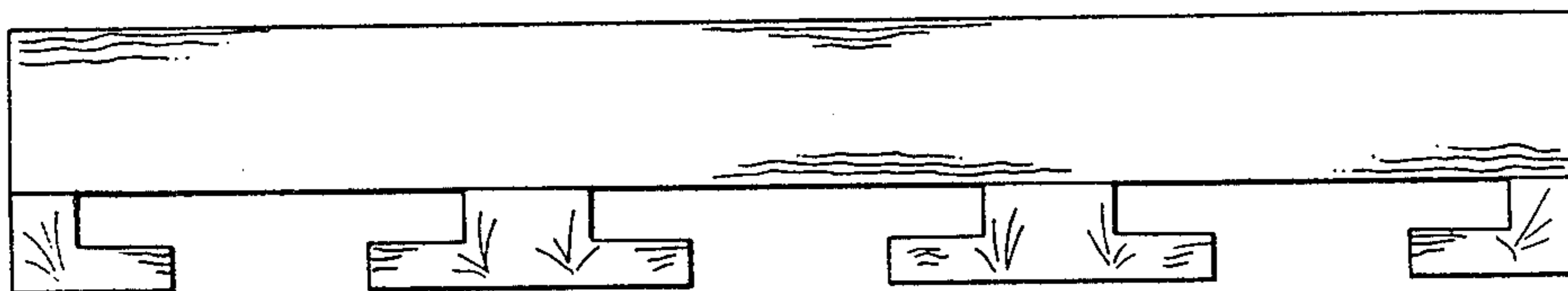


FIG. 3

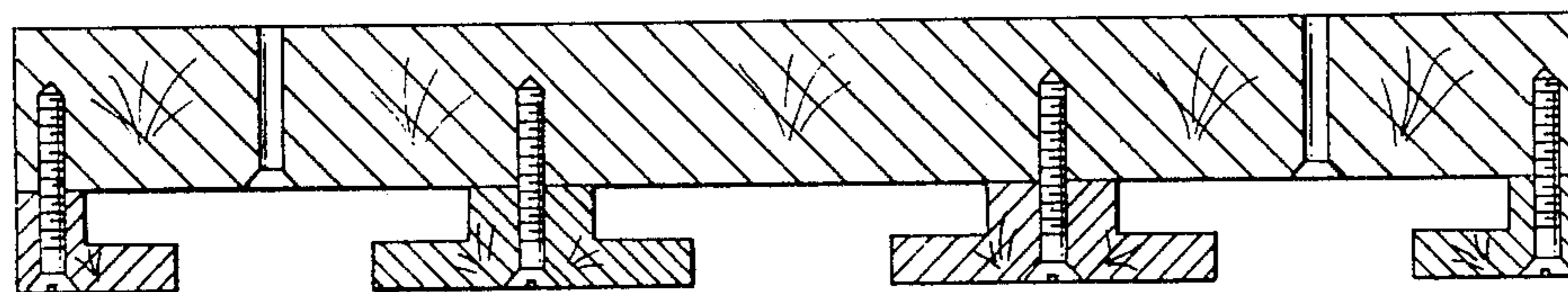


FIG. 4



FIG. 5

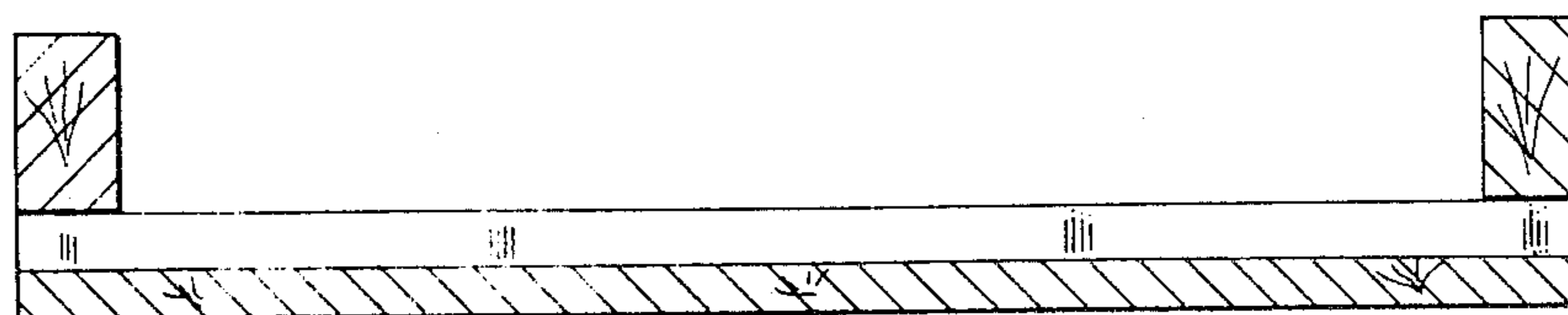


FIG. 6