

# United States Patent [19]

Dello Russo

[11] Patent Number: **Des. 275,422**

[45] Date of Patent: **\*\* Sep. 4, 1984**

- [54] **ROOFER'S SUPPORT CHAIR**
- [76] Inventor: **Patric I. Dello Russo**, 5814 NE. 63rd St., Kansas City, Mo. 64119
- [\*\*] Term: **14 Years**
- [21] Appl. No.: **419,714**
- [22] Filed: **Sep. 20, 1982**
- [52] U.S. Cl. .... **D25/68**
- [58] Field of Search ..... **182/45; 248/237; D25/62, 68, 69**

4,342,374 8/1982 Montana ..... 248/237 X

*Primary Examiner*—A. Hugo Word  
*Attorney, Agent, or Firm*—Kokjer, Kircher, Bradley, Wharton, Bowman & Johnson

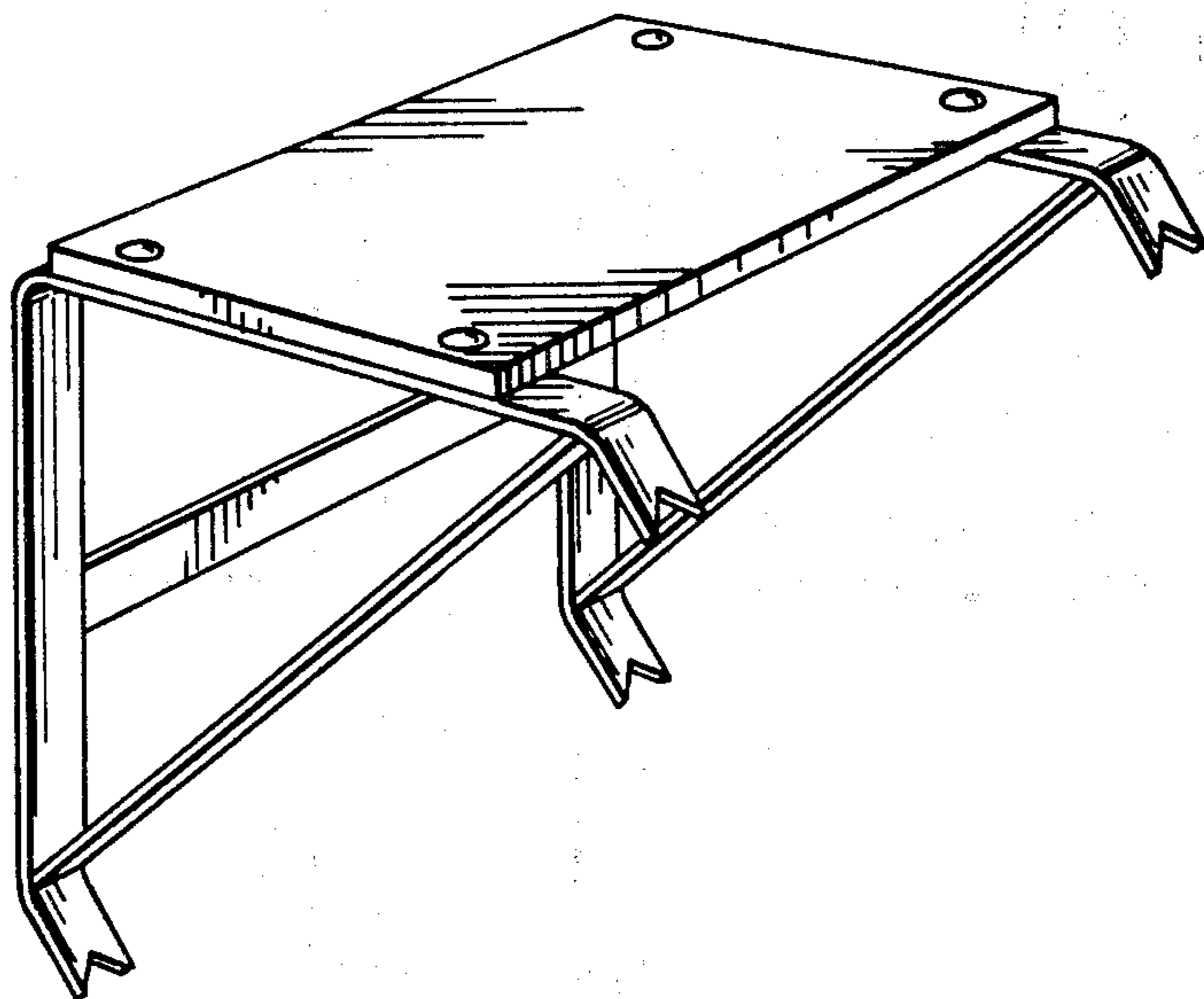
[57] **CLAIM**

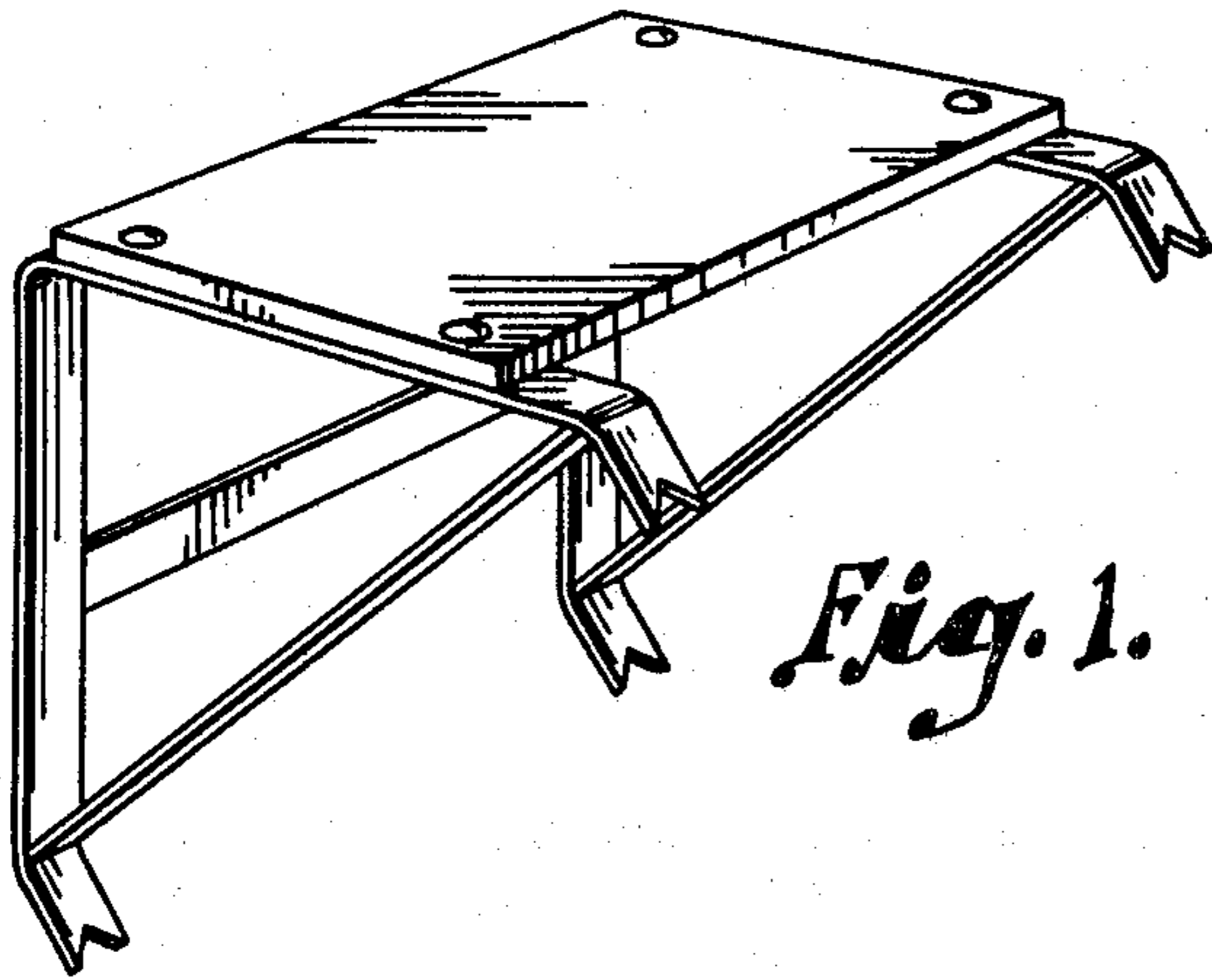
The ornamental design for a roofer's support chair, as shown and described.

**DESCRIPTION**

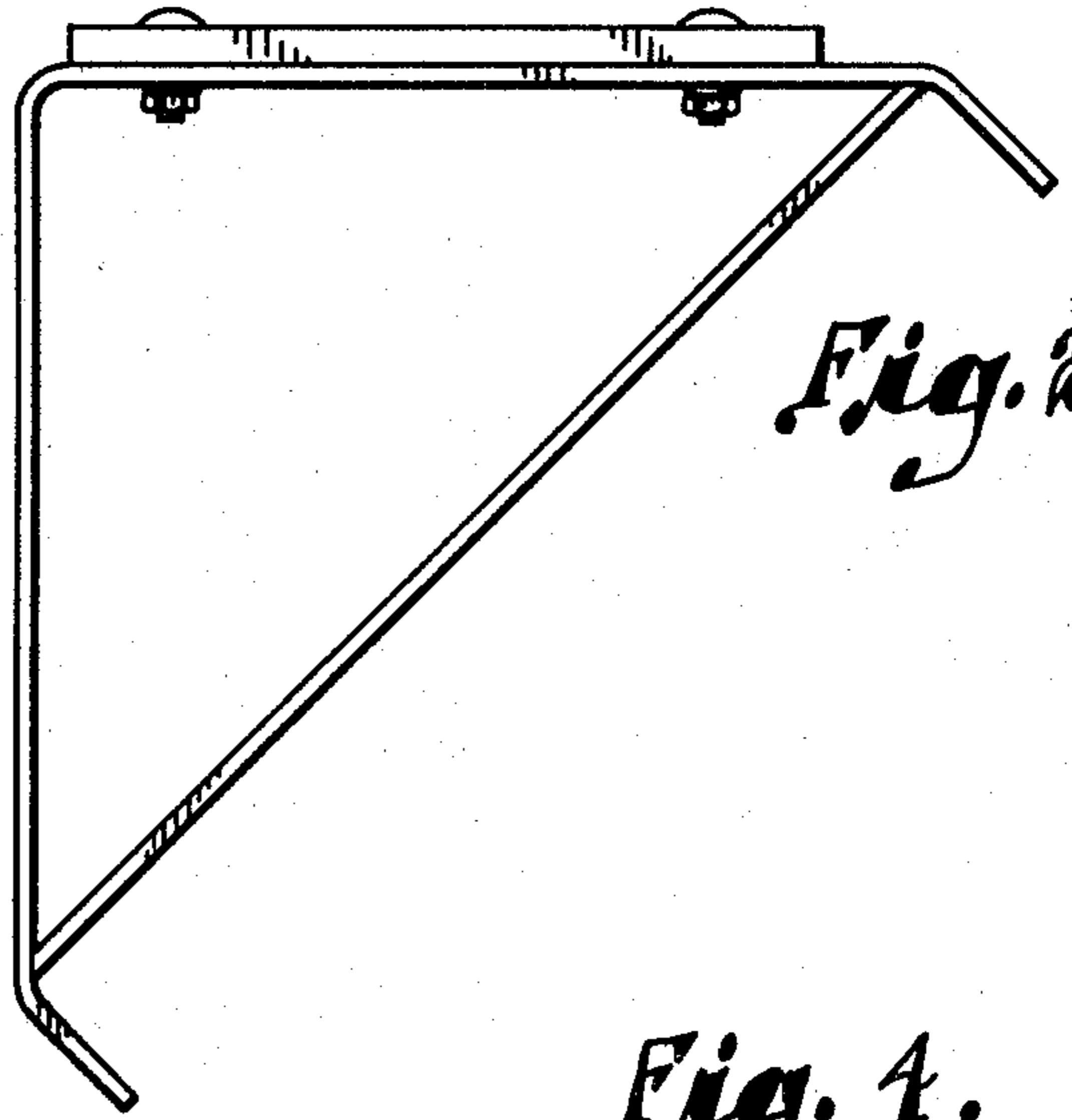
FIG. 1 is a perspective view of a roofer's support chair embodying my new design;  
FIG. 2 is a side elevational view thereof;  
FIG. 3 is a rear elevational view thereof;  
FIG. 4 is a front elevational view thereof;  
FIG. 5 is a top plan view thereof; and  
FIG. 6 is a bottom plan view thereof.

- [56] **References Cited**  
**U.S. PATENT DOCUMENTS**  
D. 248,777 8/1978 Spencer et al. .... D25/68  
1,599,209 9/1926 Cashman ..... 248/237



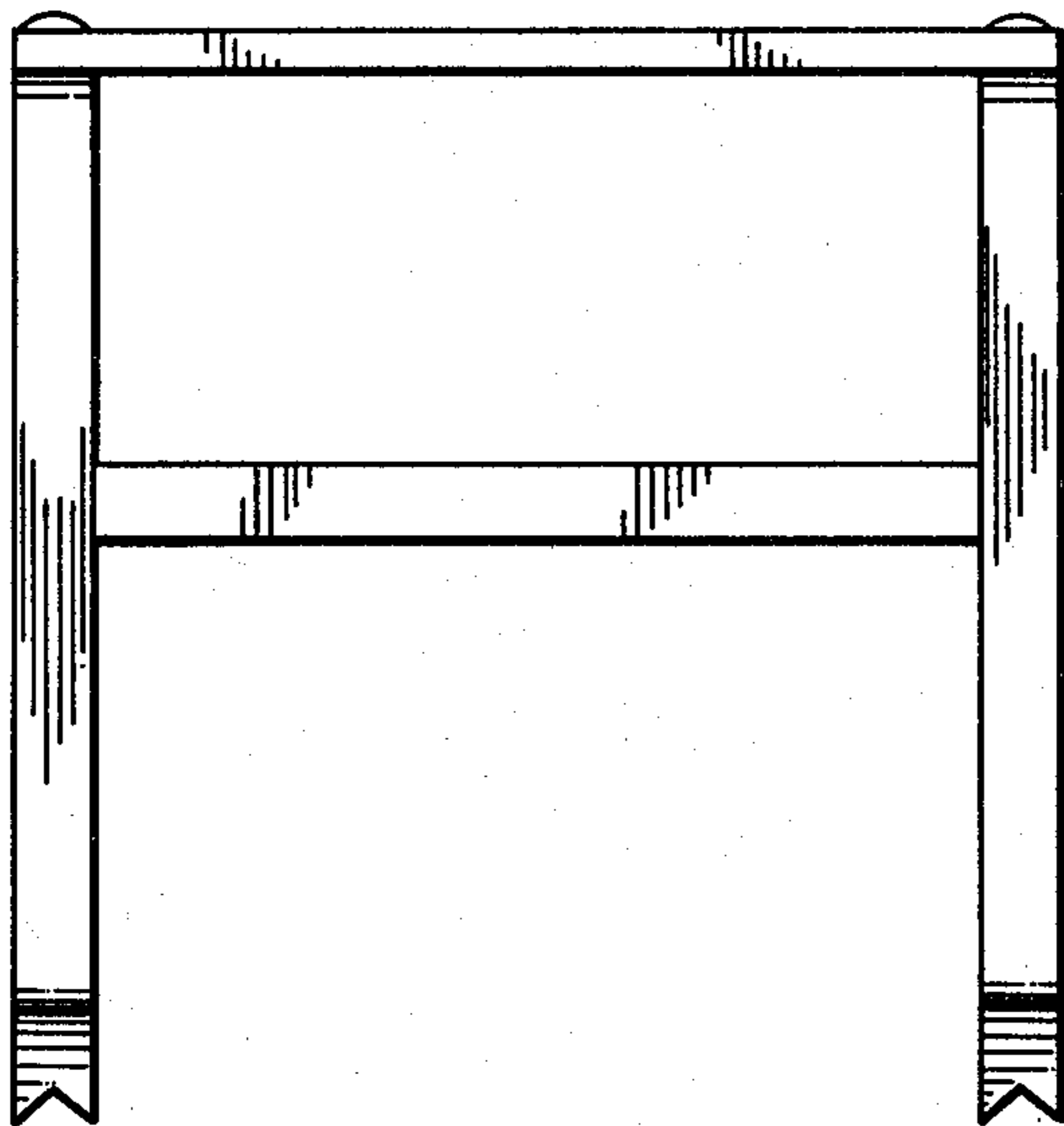


*Fig. 1.*

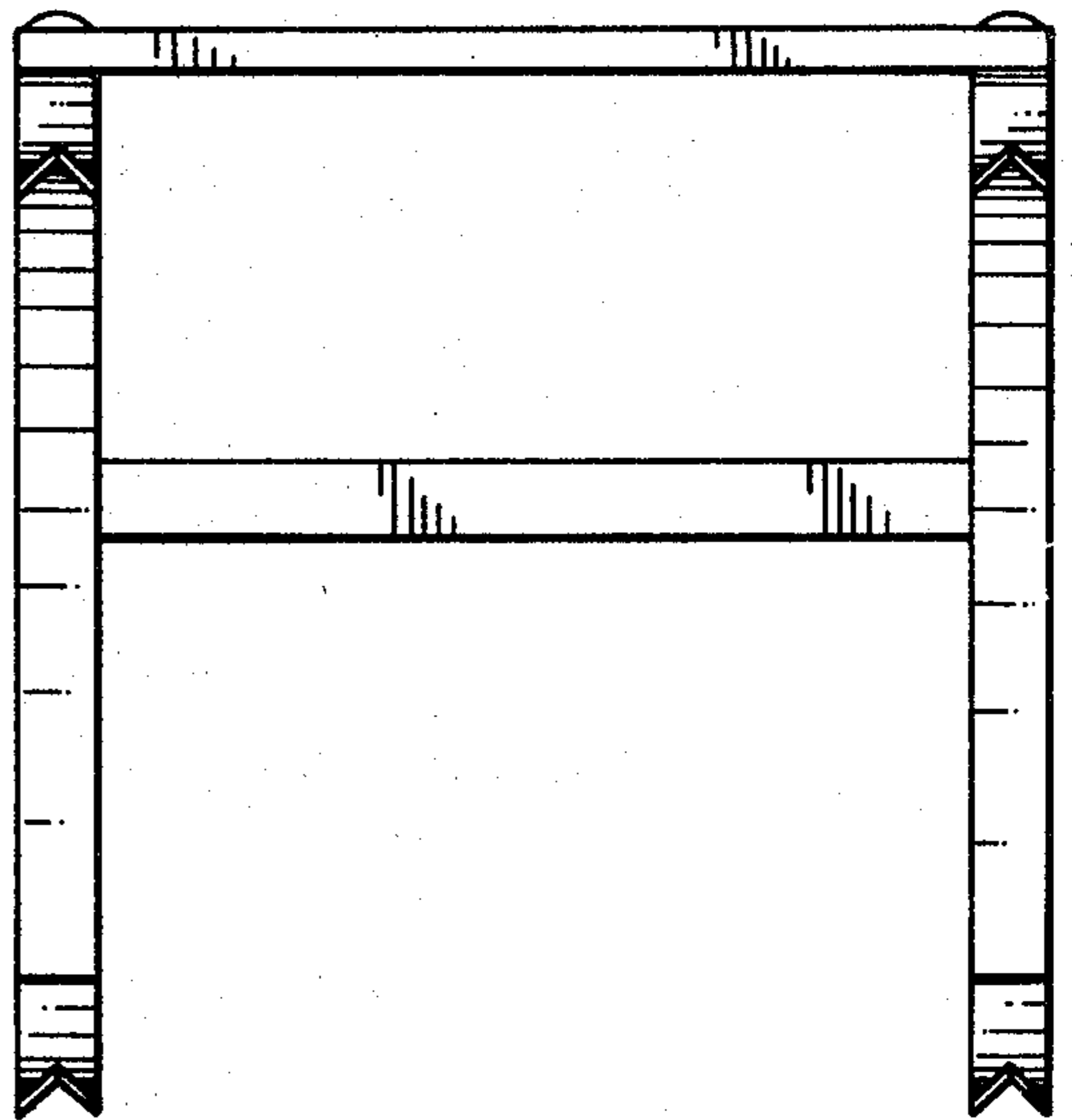


*Fig. 2.*

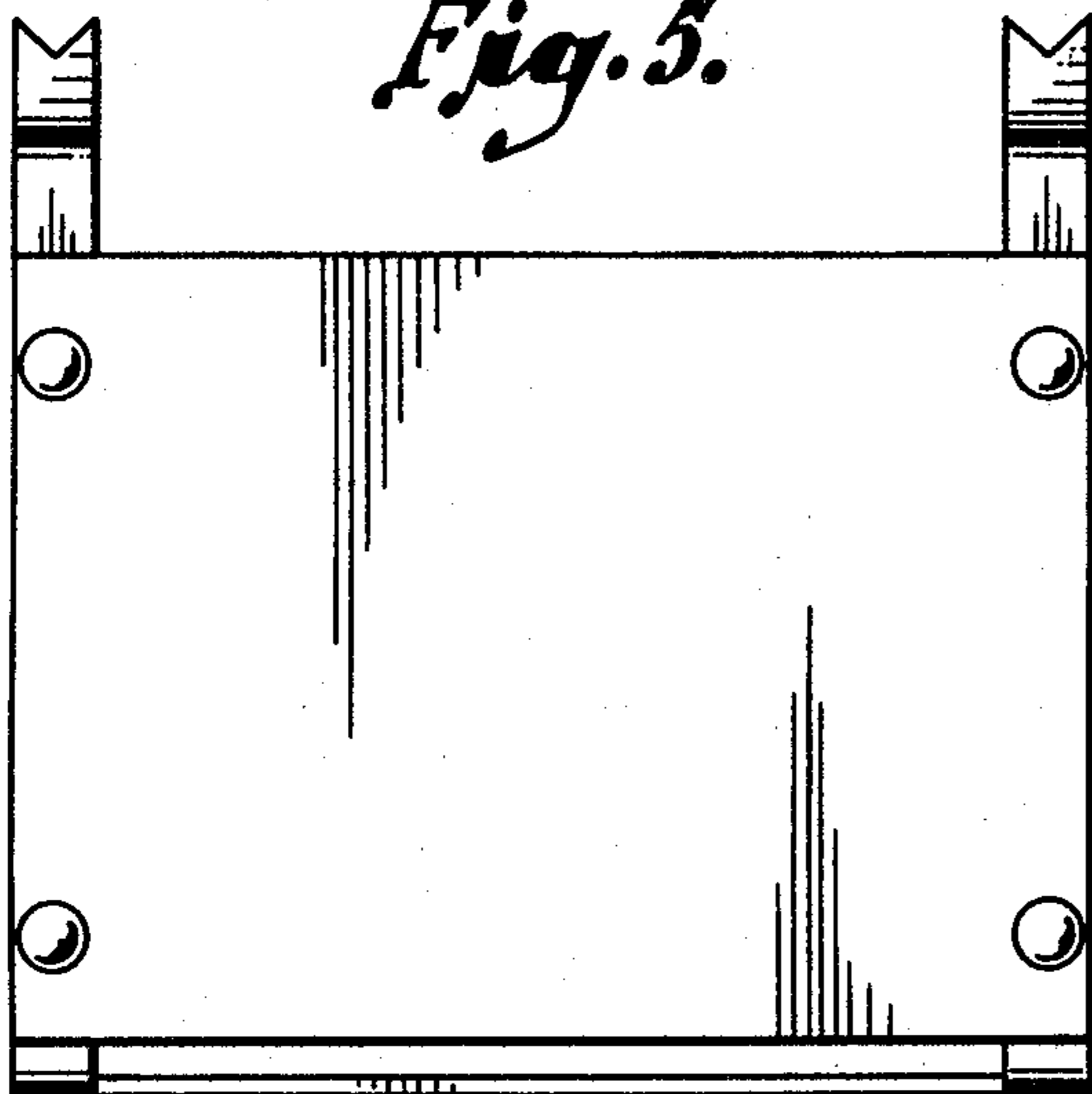
*Fig. 3.*



*Fig. 4.*



*Fig. 5.*



*Fig. 6.*

