

[54] **CONCRETE SUPPLY STATION**

[75] **Inventor: Sture Boström, Umeå, Sweden**

[73] **Assignee: AB Röbbäcks Mekaniska, Umeå, Sweden**

[**] **Term: 14 Years**

[21] **Appl. No.: 374,628**

[22] **Filed: May 4, 1982**

[30] **Foreign Application Priority Data**

Nov. 6, 1981 [SE] Sweden 81-2556
[52] **U.S. Cl. D25/3**
[58] **Field of Search D25/1, 3, 11, 33; 425/88**

[56] **References Cited**

U.S. PATENT DOCUMENTS

D. 245,865 9/1977 Bostrom D25/3
D. 246,383 11/1977 Bostrom D25/3
4,072,453 2/1978 Oltmanns et al. 425/88 X

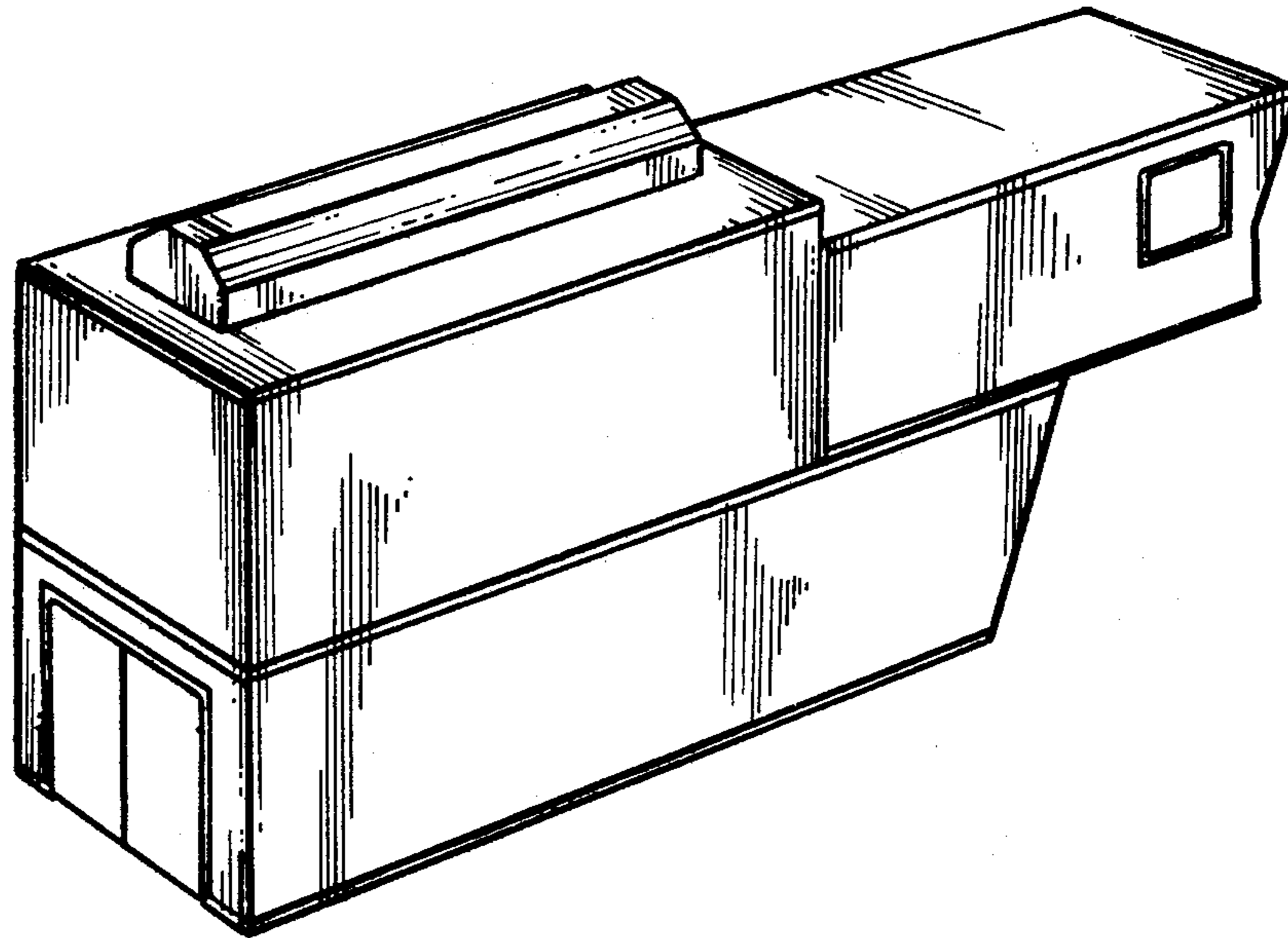
Primary Examiner—A. Hugo Word
Attorney, Agent, or Firm—Burns, Doane, Swecker & Mathis

[57] **CLAIM**

The ornamental design for a concrete supply station, as shown.

DESCRIPTION

FIG. 1 is a front perspective view of a concrete supply station showing my new design; and, FIG. 2 is a rear perspective view thereof.



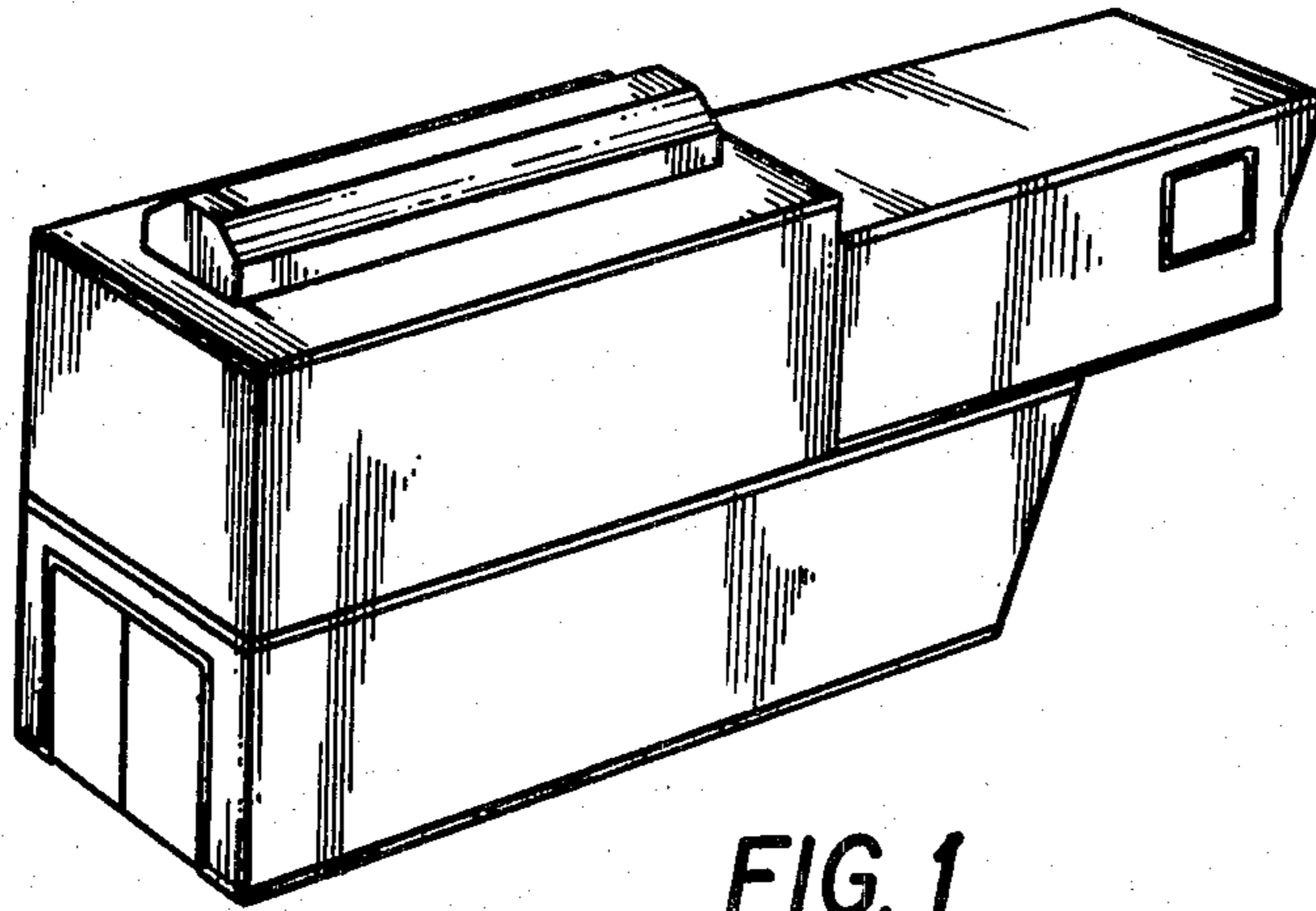


FIG. 1

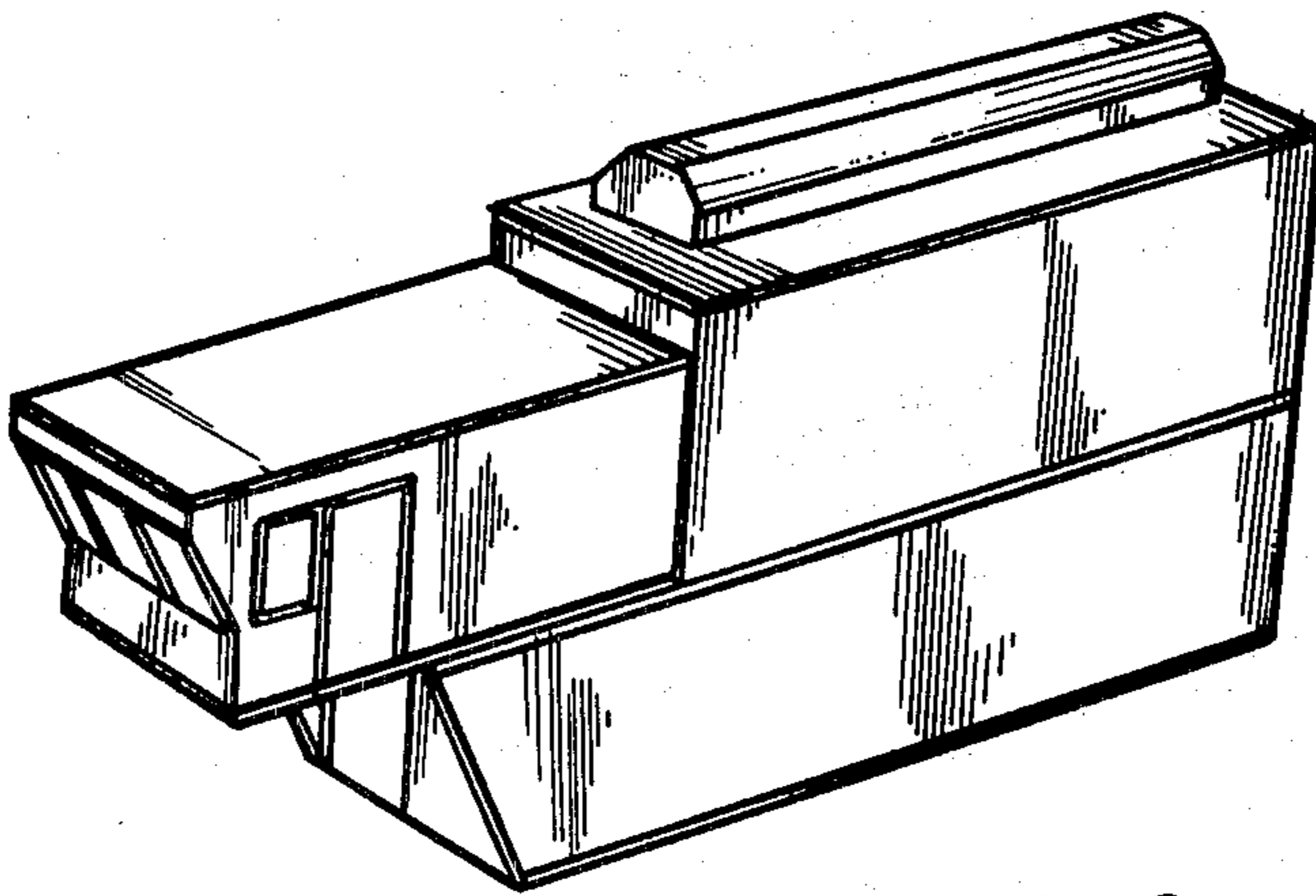


FIG. 2