

[54] COMBINED MAGNIFIER AND PEN HOLDER

[76] Inventor: Walter Henkels, D-5142 Hückelhoven, Holunderweg 1, Fed. Rep. of Germany

[\*\*] Term: 14 Years

[21] Appl. No.: 398,339

[22] Filed: Jul. 15, 1982

[30] Foreign Application Priority Data

Feb. 20, 1982 [DE] Fed. Rep. of Germany ..... MR 141
[52] U.S. Cl. .... D16/135; D19/75
[58] Field of Search ..... D16/135; 350/245; D10/31; D19/75

[56] References Cited

U.S. PATENT DOCUMENTS

Table with 4 columns: Patent No., Date, Inventor, and Patent No. containing references such as Schlacht, Teagne, Girbics, Zelnick, Fieni, Campbell, Henkels, Laughlin, and Henkels.

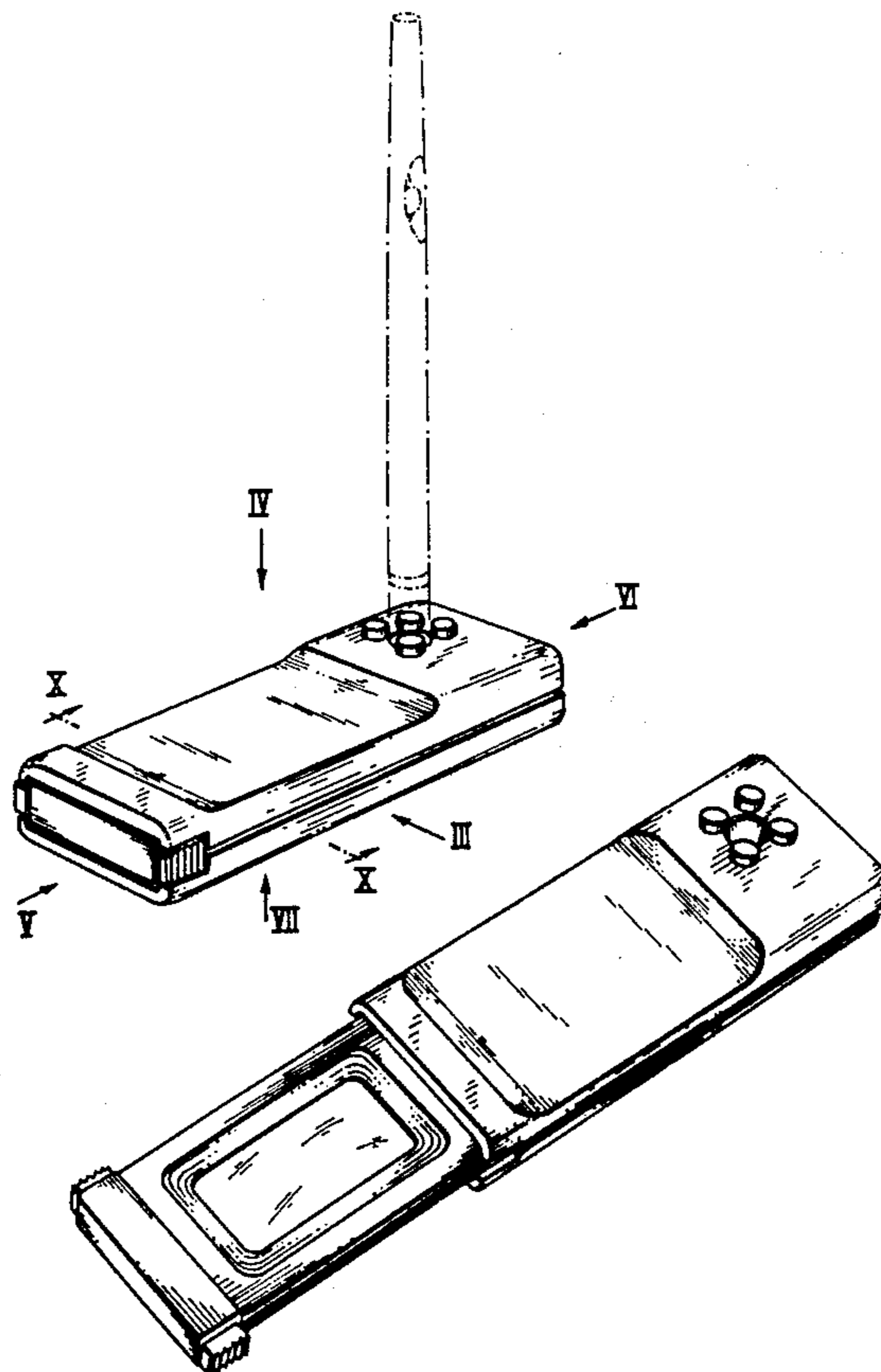
Primary Examiner—Wallace R. Burke
Assistant Examiner—Horace B. Fay
Attorney, Agent, or Firm—Diller, Ramik & Wight

[57] CLAIM

The ornamental design for a combined magnifier and pen holder, substantially as shown and described.

DESCRIPTION

FIG. 1 is a perspective view of a combined magnifier and pen holder showing my new design in an encased position;
FIG. 2 is a perspective view thereof in an extended position;
FIG. 3 is a front elevational view thereof as seen in the direction of arrow III in FIG. 1, the other side being substantially a mirror image thereof.
FIG. 4 is a top plan view thereof as seen in the direction of arrow IV in FIG. 1;
FIG. 5 is a left side elevational view thereof as seen in the direction of arrow V in FIG. 1;
FIG. 6 is a right side elevational view thereof as seen in the direction of arrow VI in FIG. 1;
FIG. 7 is a bottom plan view thereof as seen in the direction of arrow VII in FIG. 1;
FIGS. 8 and 9 are perspective views of details thereof;
FIG. 10 is a cross-sectional view thereof taken generally along line X—X in FIG. 1; and
FIG. 11 is a cross-sectional view thereof taken generally along line XI—XI in FIG. 8.



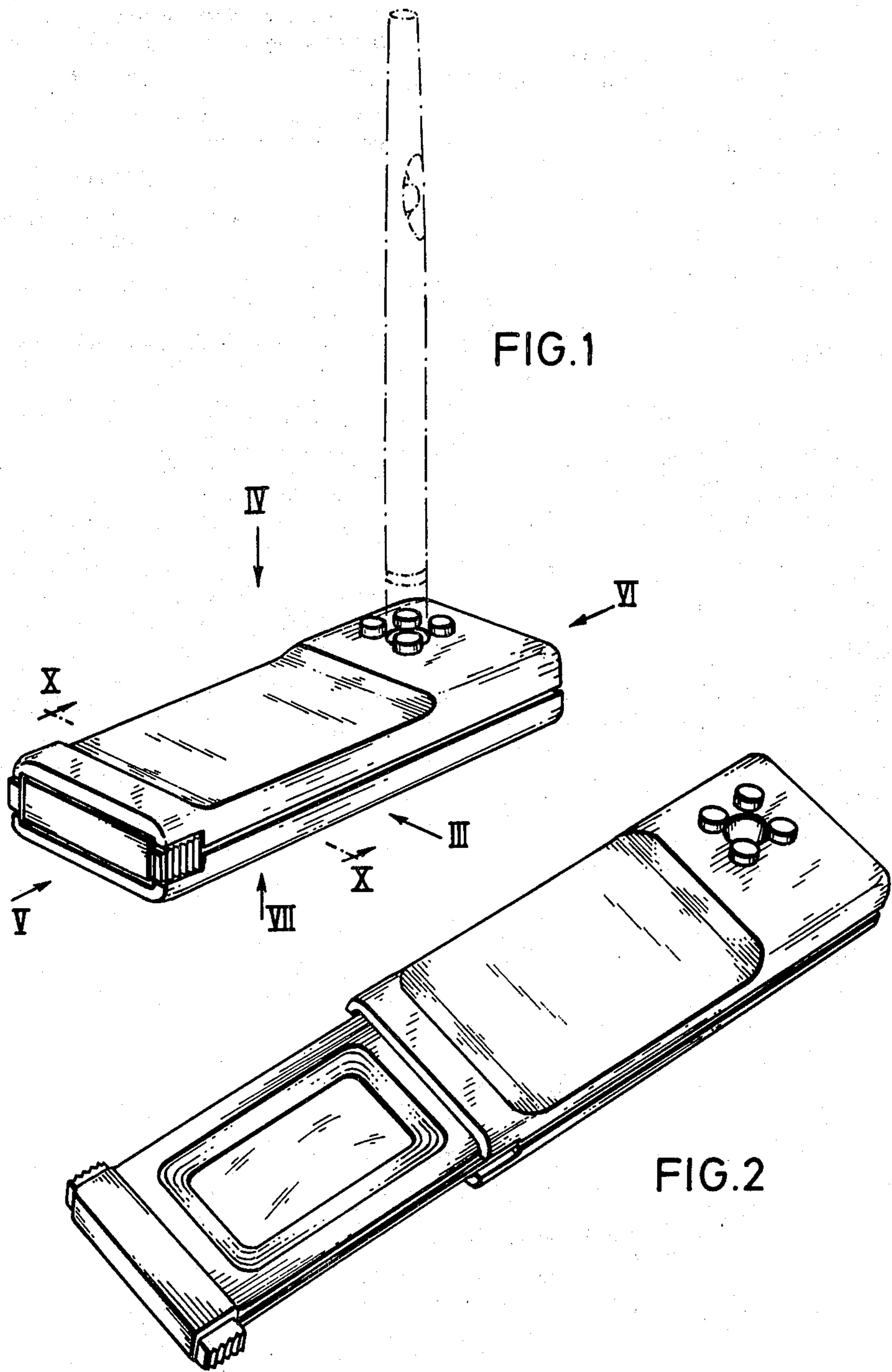


FIG.7

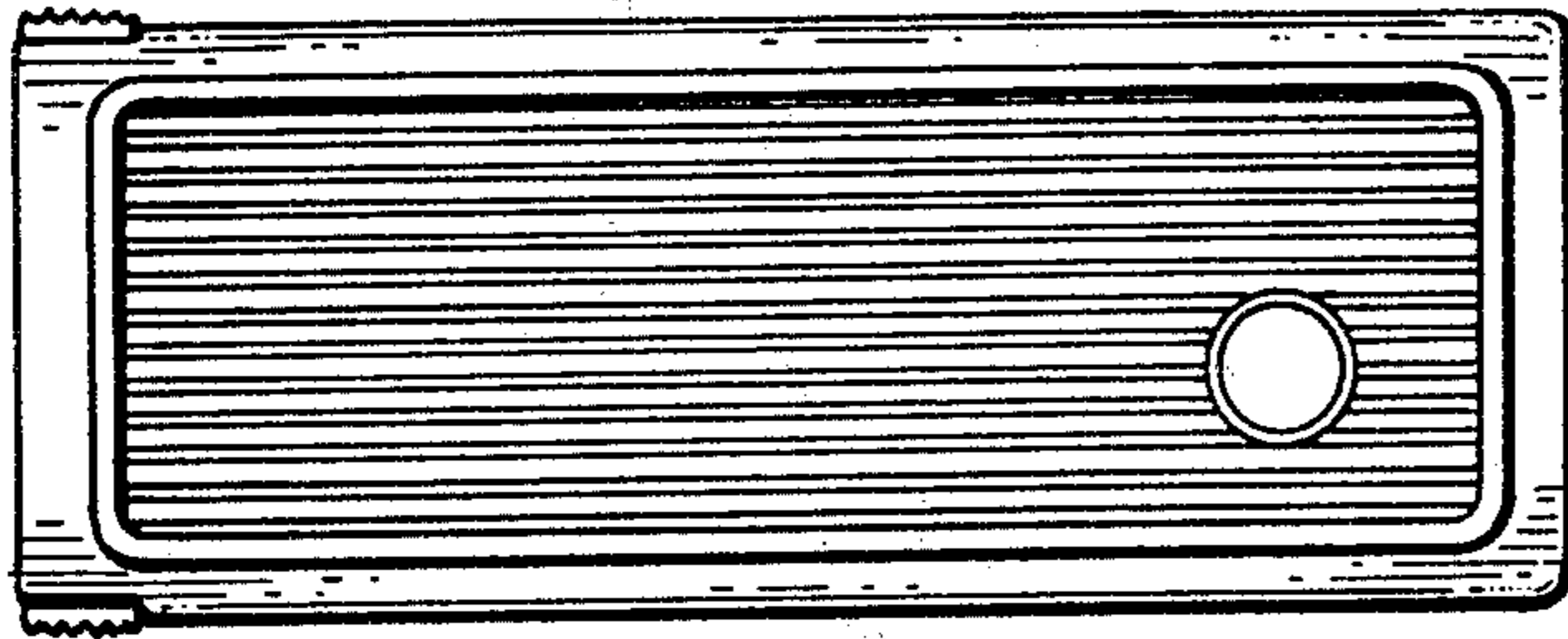


FIG.3

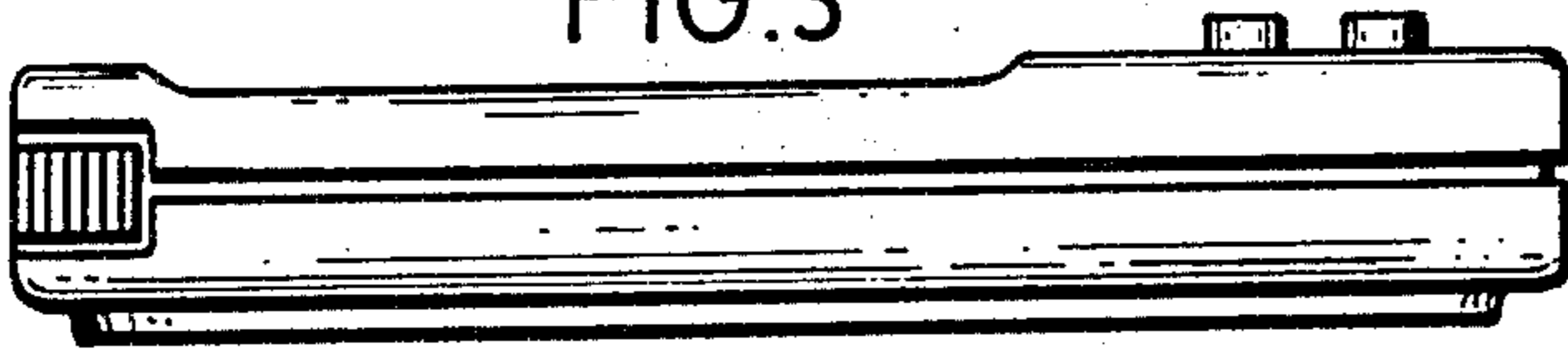


FIG.5

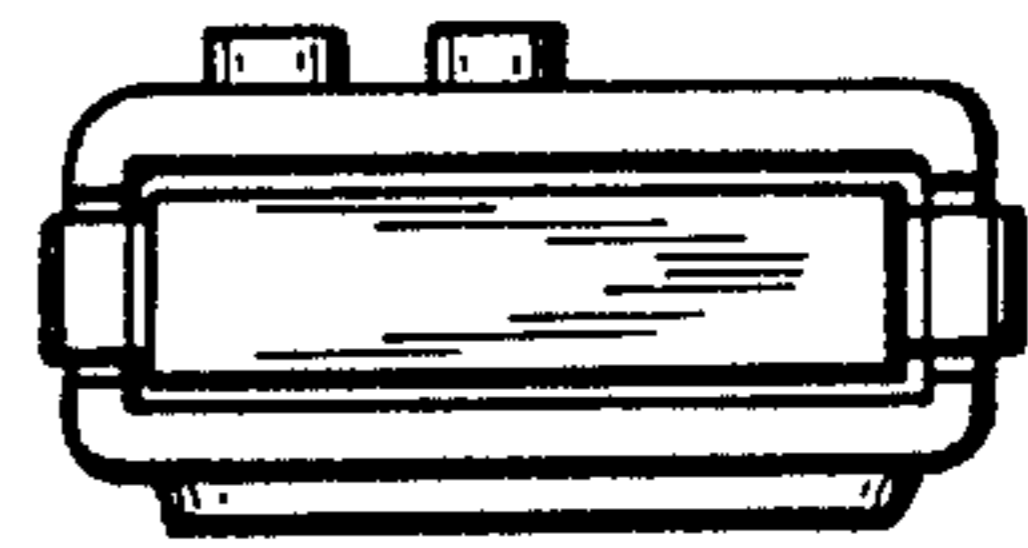


FIG.4

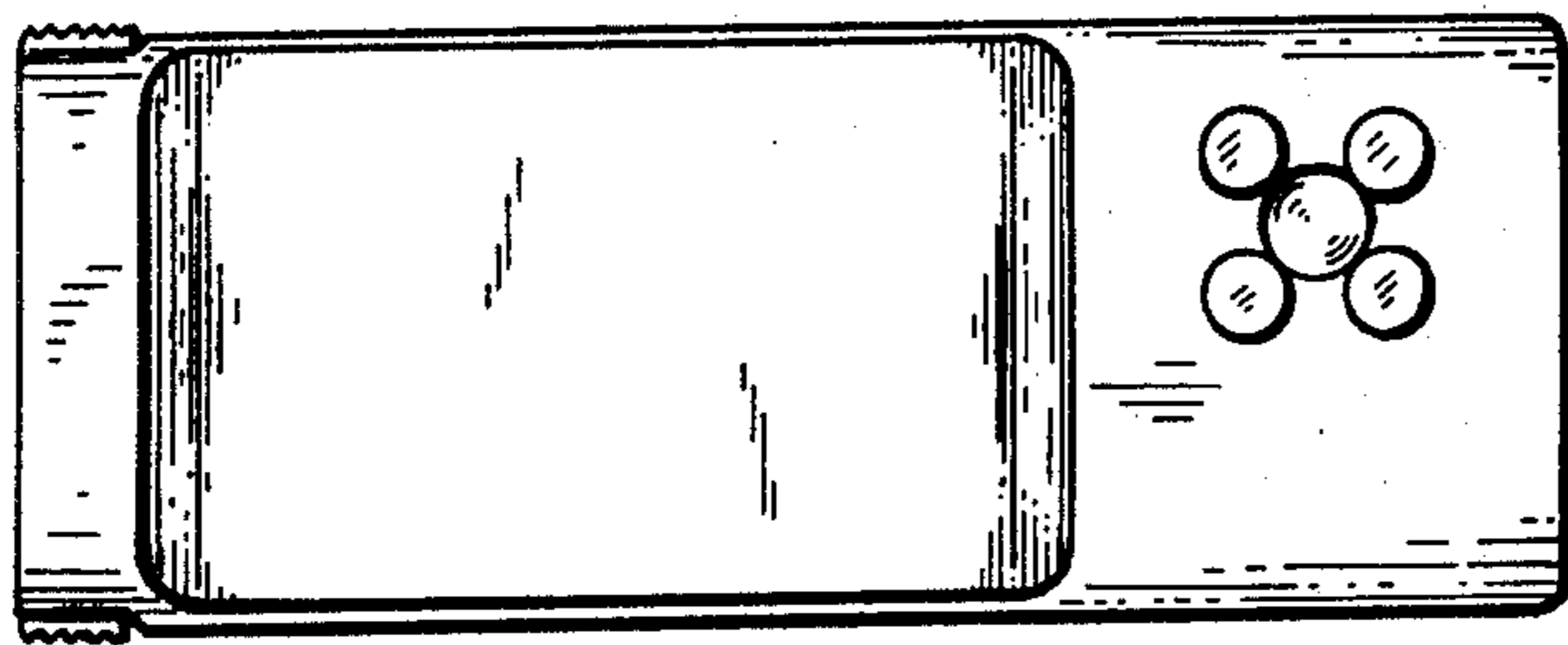


FIG.6

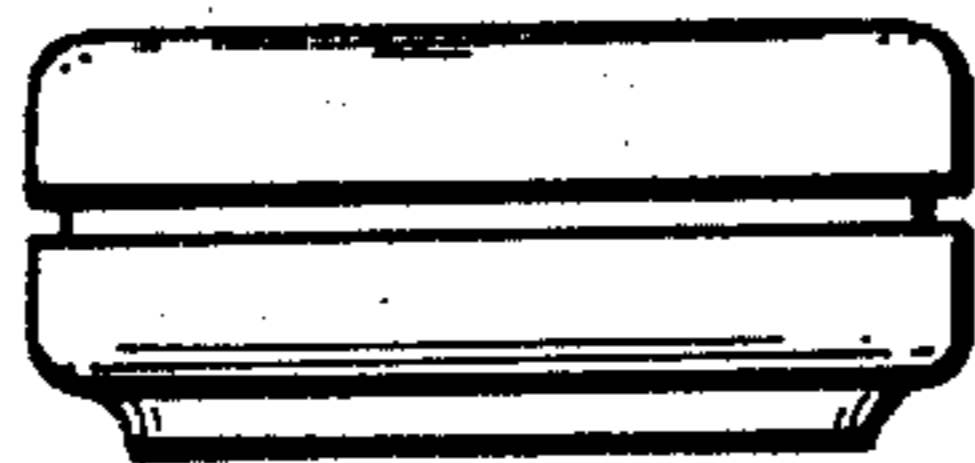


FIG.8

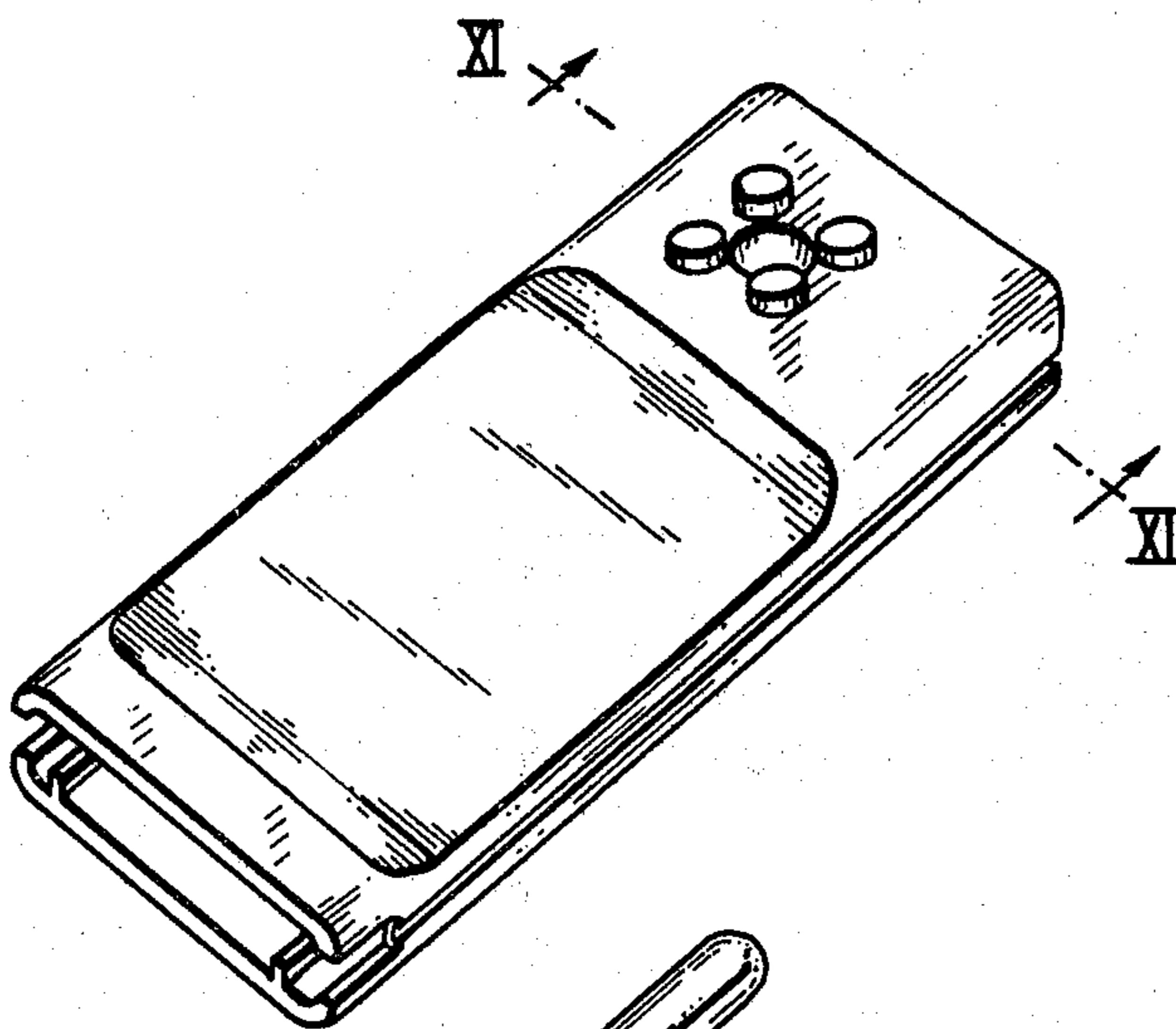


FIG.9

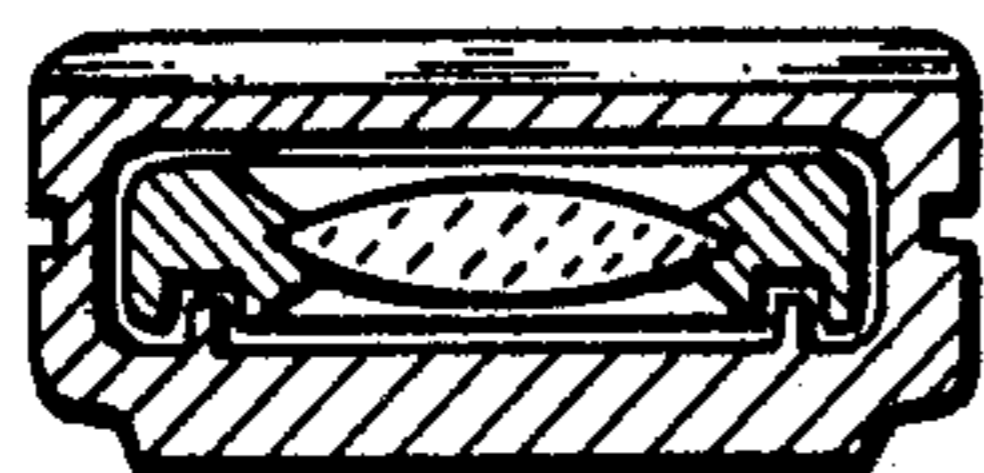
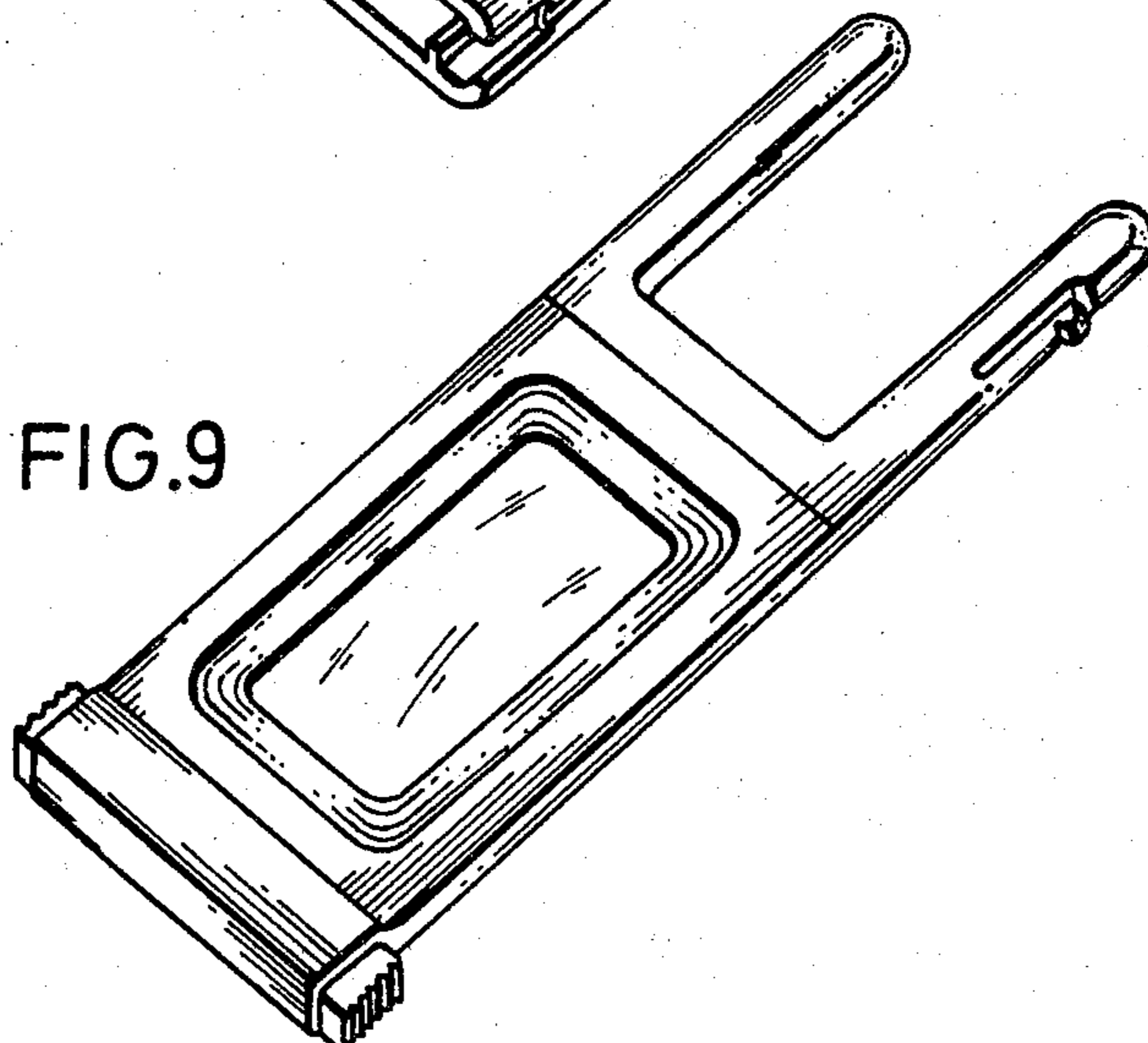


FIG.10

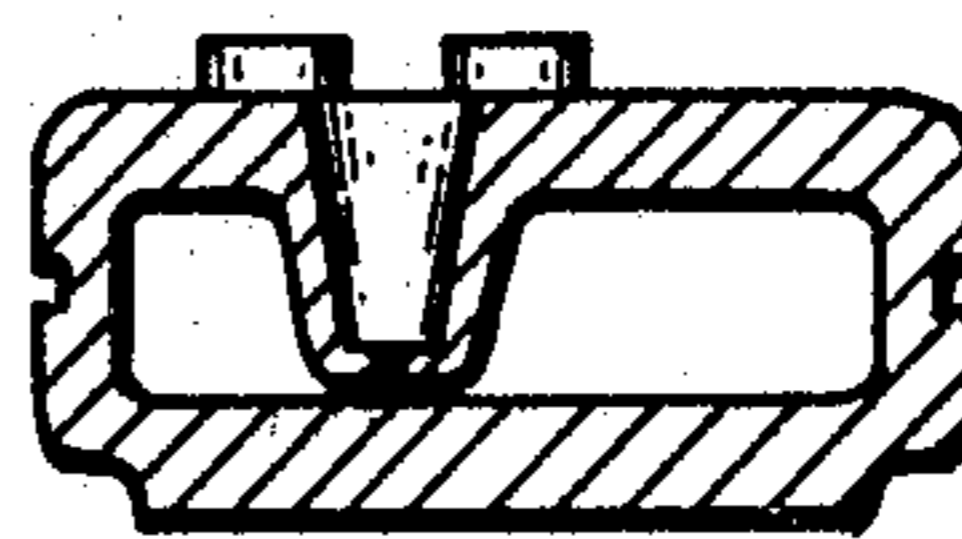


FIG.11