

[54] BINOCULAR

[75] Inventor: Claus O. Huckenbeck, Bear Valley, Calif.

[73] Assignee: Bausch & Lomb Incorporated, Rochester, N.Y.

[\*\*] Term: 14 Years

[21] Appl. No.: 502,680

[22] Filed: Jun. 9, 1983

[52] U.S. Cl. .... D16/133

[58] Field of Search ..... D16/133; 350/556

[56] References Cited

U.S. PATENT DOCUMENTS

D. 222,563	11/1971	Maquire	.....	D16/133
D. 248,307	6/1978	Maquire	.....	D16/133
3,312,518	4/1967	Bushnell	.....	D16/133
3,454,773	7/1969	Bulthuis et al.	.....	350/538
3,744,872	7/1973	Akin, Jr. et al.	.....	D16/133

OTHER PUBLICATIONS

Brochure by Bushnell Div. Of Bausch & Lomb, Form No. 62-1026, Printed 2/83, Sportview #13,7211. Bushnell Sports Optics Brochure ©1976, p. 10, Bro-

chabund Binocular, Items #13-3300 seg. et.

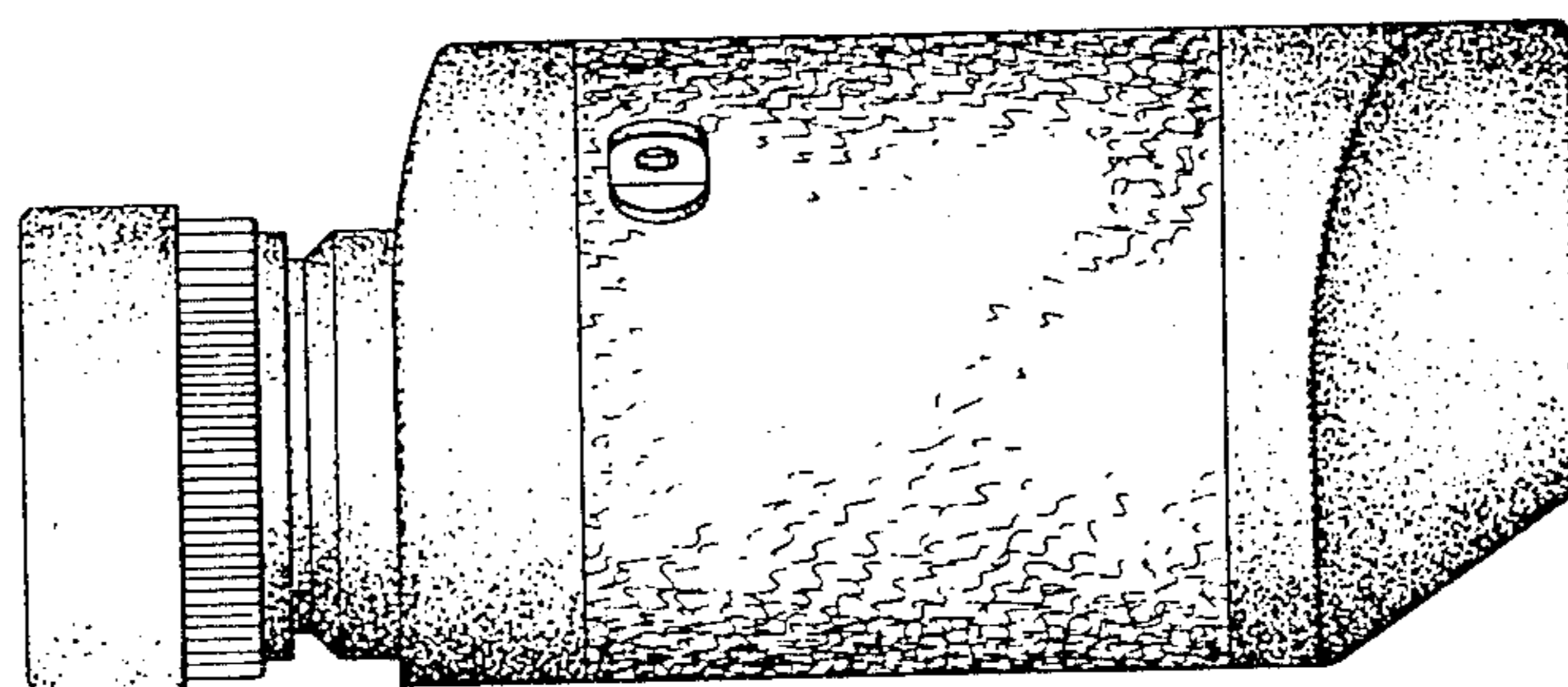
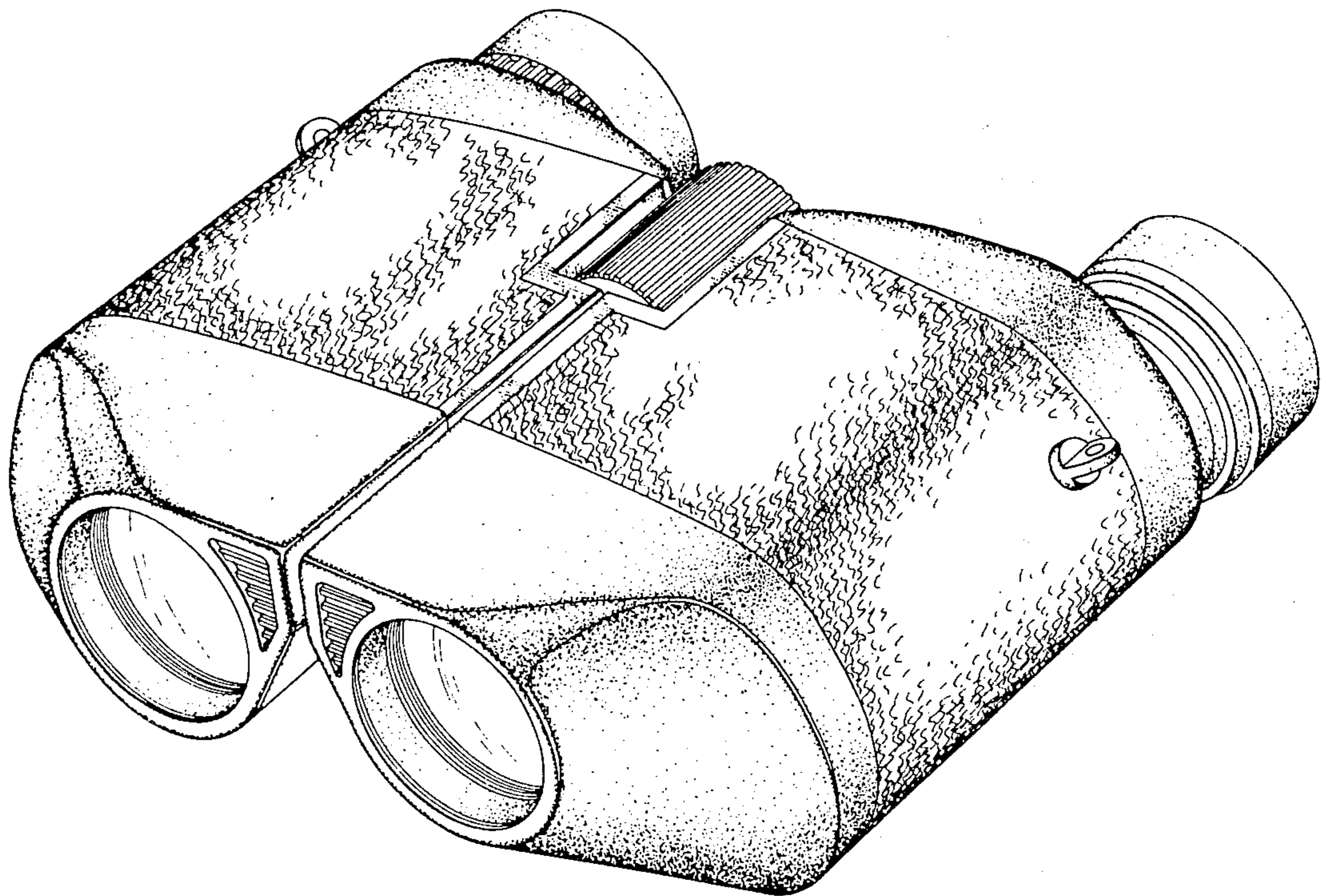
Primary Examiner—Wallace R. Burke  
Assistant Examiner—Horace B. Fay  
Attorney, Agent, or Firm—Christie, Parker & Hale

[57] CLAIM

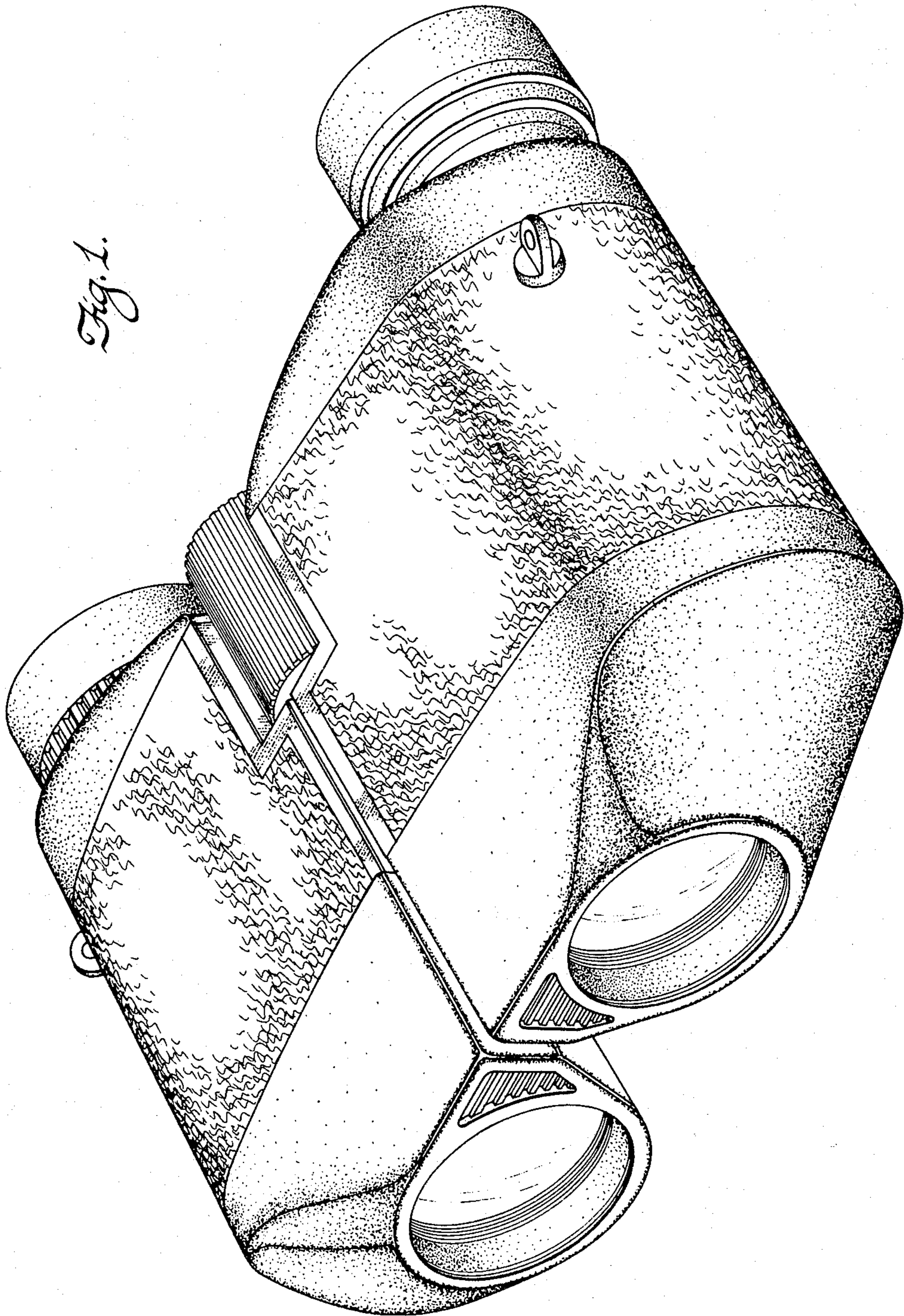
The ornamental design for a binocular, substantially as shown and described.

DESCRIPTION

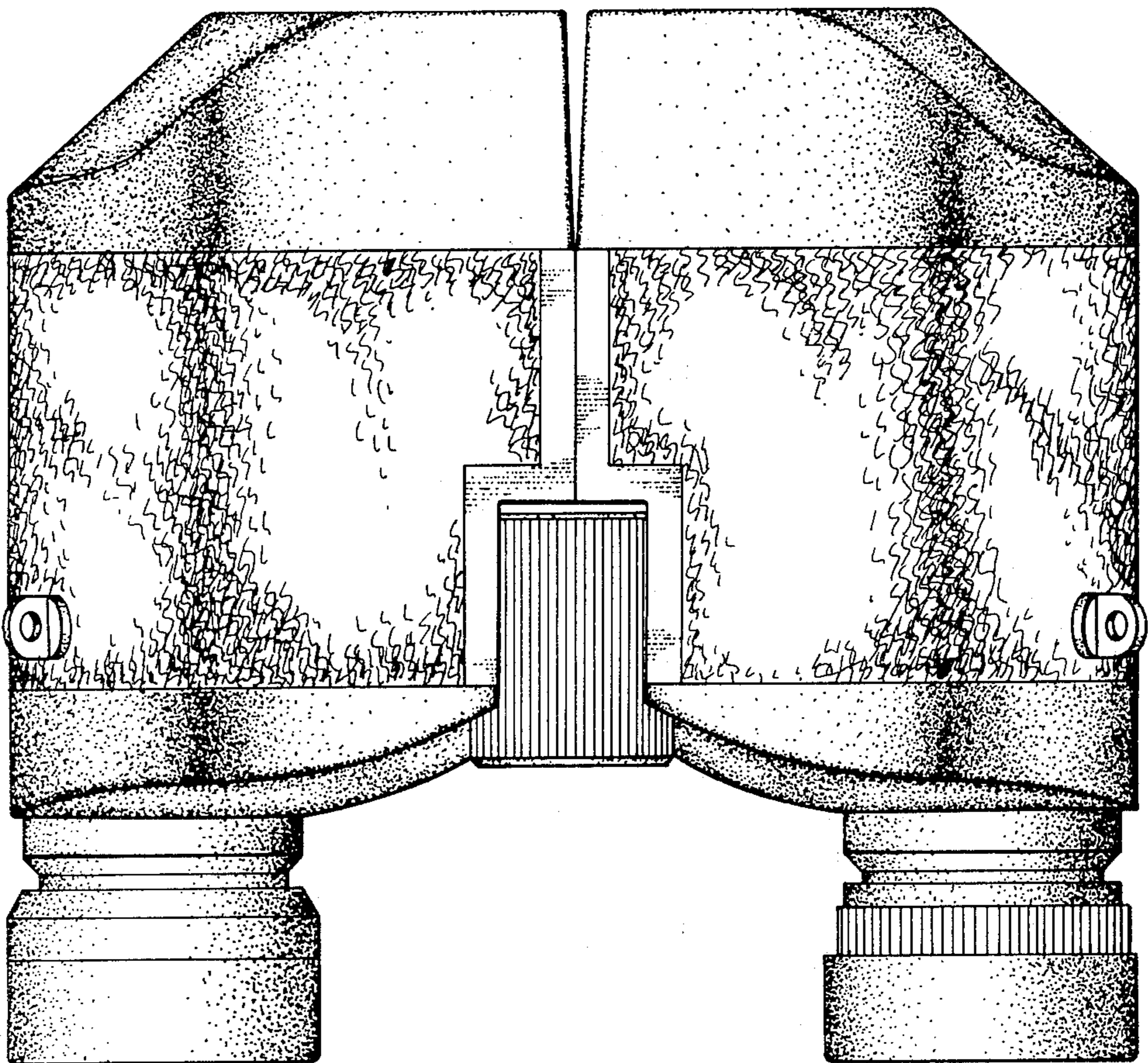
FIG. 1 is a top perspective view of a binocular showing my design;  
FIG. 2 is a top plan view;  
FIG. 3 is a bottom plan view;  
FIG. 4 is a right side elevational view, and the left side elevational view thereof is a mirror image;  
FIG. 5 is a front elevational view of the eyepiece end thereof; and  
FIG. 6 is a rear elevational view thereof.  
The surface treatment pattern which is shown in part for convenience of illustration on the central body portion of the binoculars is understood to cover the entire area now shown only in part.



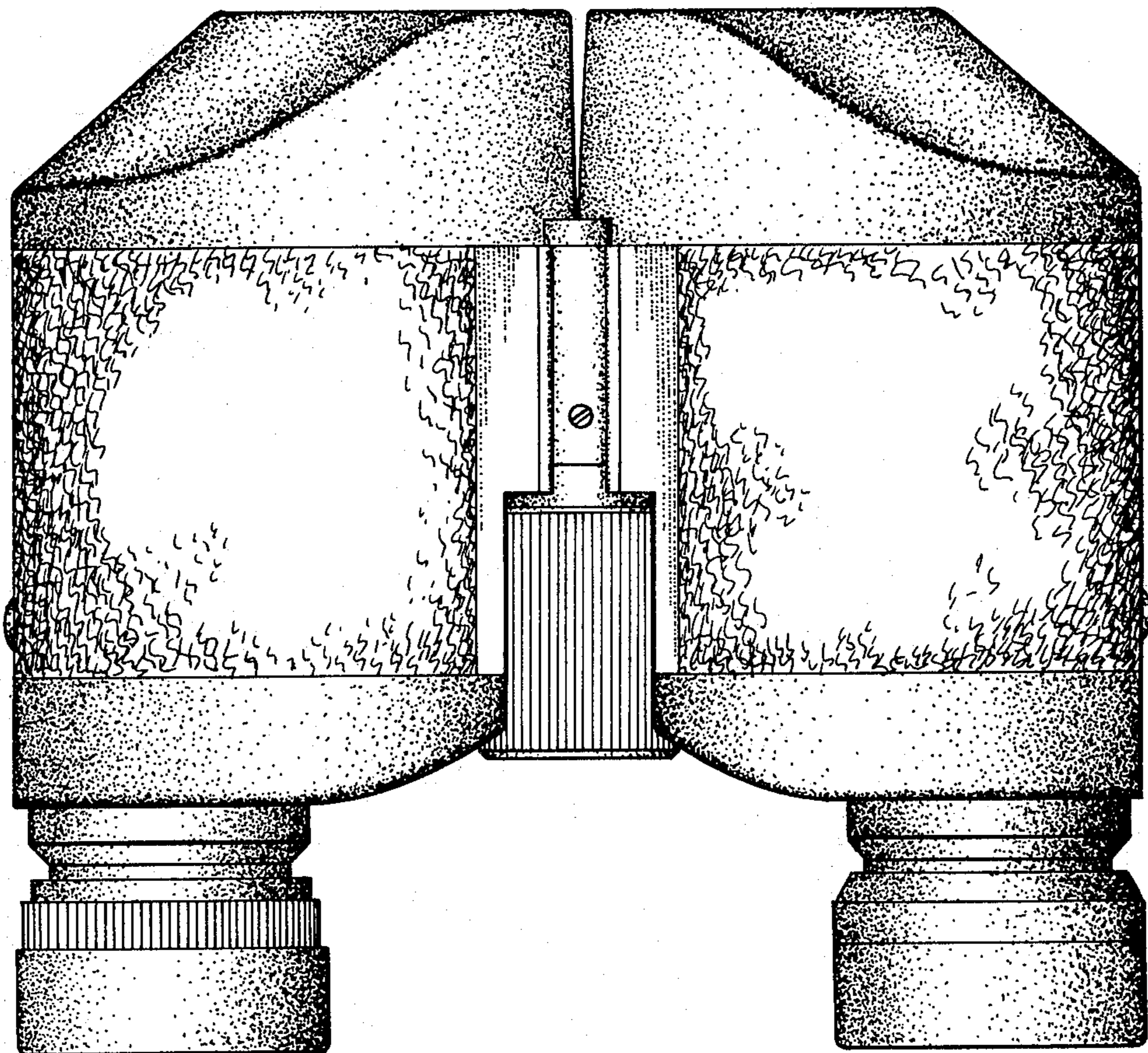
*Fig. 1.*



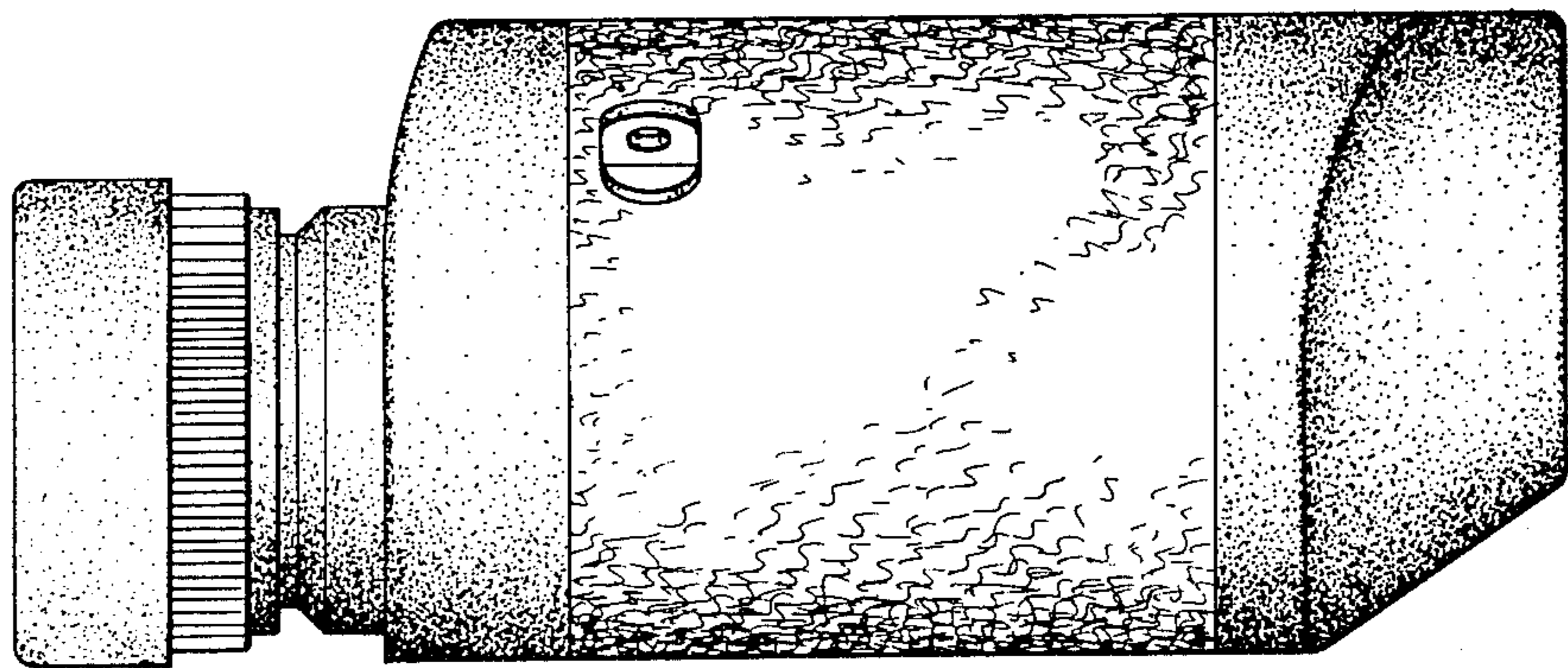
*Fig. 2.*



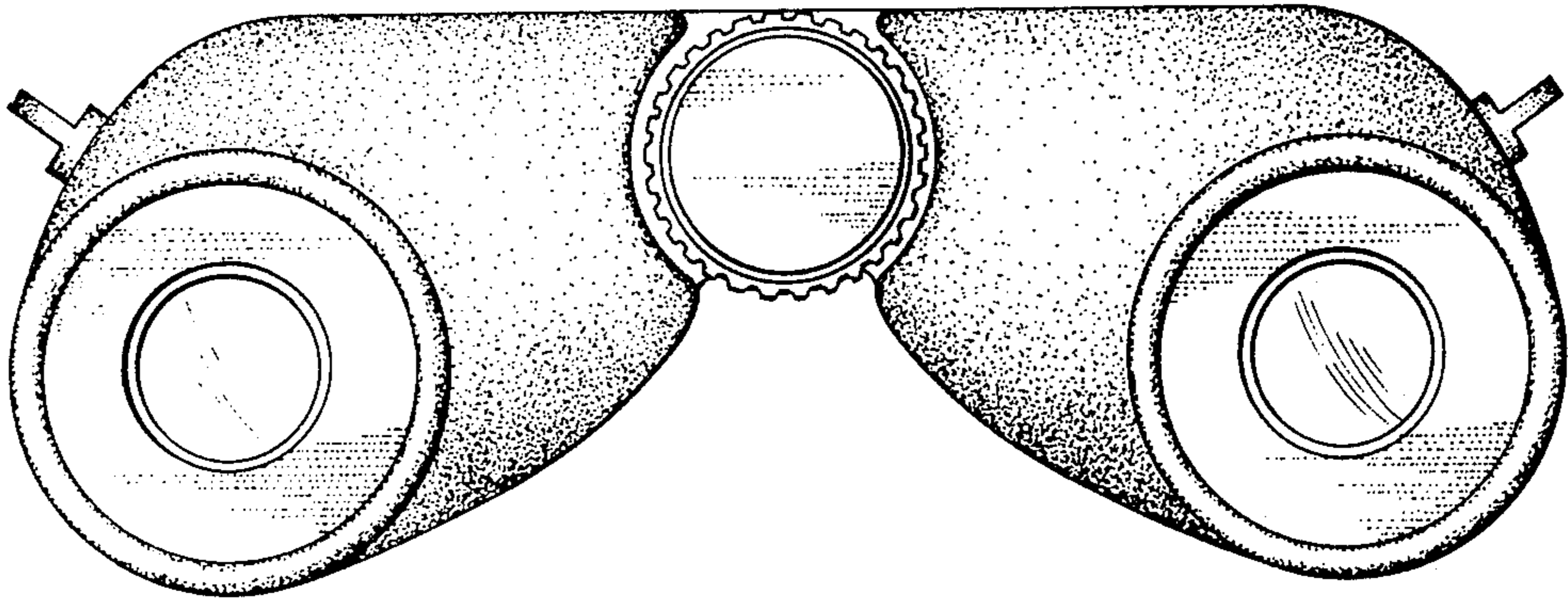
*Fig. 3.*



*Fig. 4.*



*Fig. 5.*



*Fig. 6.*

