

[54] VALVED AIR PUMP

[75] Inventor: Gordon H. Boswell, Auckland, New Zealand

[73] Assignee: Mason & Porter Limited, Mt. Wellington, New Zealand

[**] Term: 14 Years

[21] Appl. No.: 163,998

[22] Filed: Jun. 30, 1980

[52] U.S. Cl. D15/9

[58] Field of Search D15/7-9; 418/259, 266, 268

[56] References Cited

U.S. PATENT DOCUMENTS

D. 116,252 8/1939 Van Doren et al. D15/7

D. 116,253 8/1939 Van Doren et al. D15/7
D. 162,502 3/1951 Zimmer, Jr. D15/7
D. 179,746 2/1957 Sudmeier D15/9
D. 263,302 3/1982 Terajima et al. D15/7

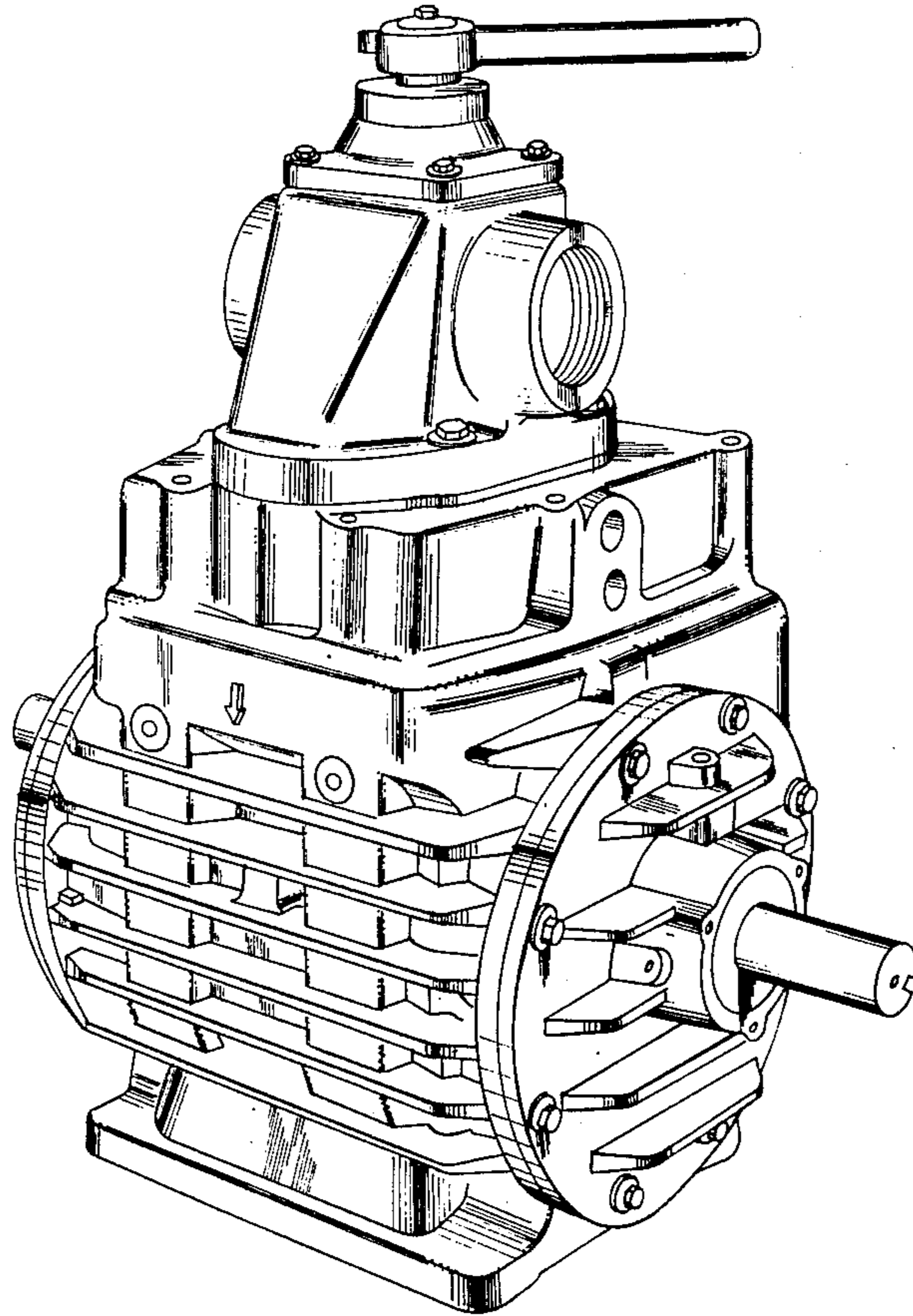
Primary Examiner—James R. Lergen
Attorney, Agent, or Firm—Holman & Stern

[57] CLAIM

The ornamental design for the valved air pump, as shown and described.

DESCRIPTION

FIG. 1 is a front elevational view of a valved air pump embodying my design, FIG. 2 is a rear elevational view thereof, FIG. 3 is a right side elevational view thereof, FIG. 4 is a left side elevational view thereof, FIG. 5 is a top plan view thereof; and FIG. 6 is a perspective view thereof.



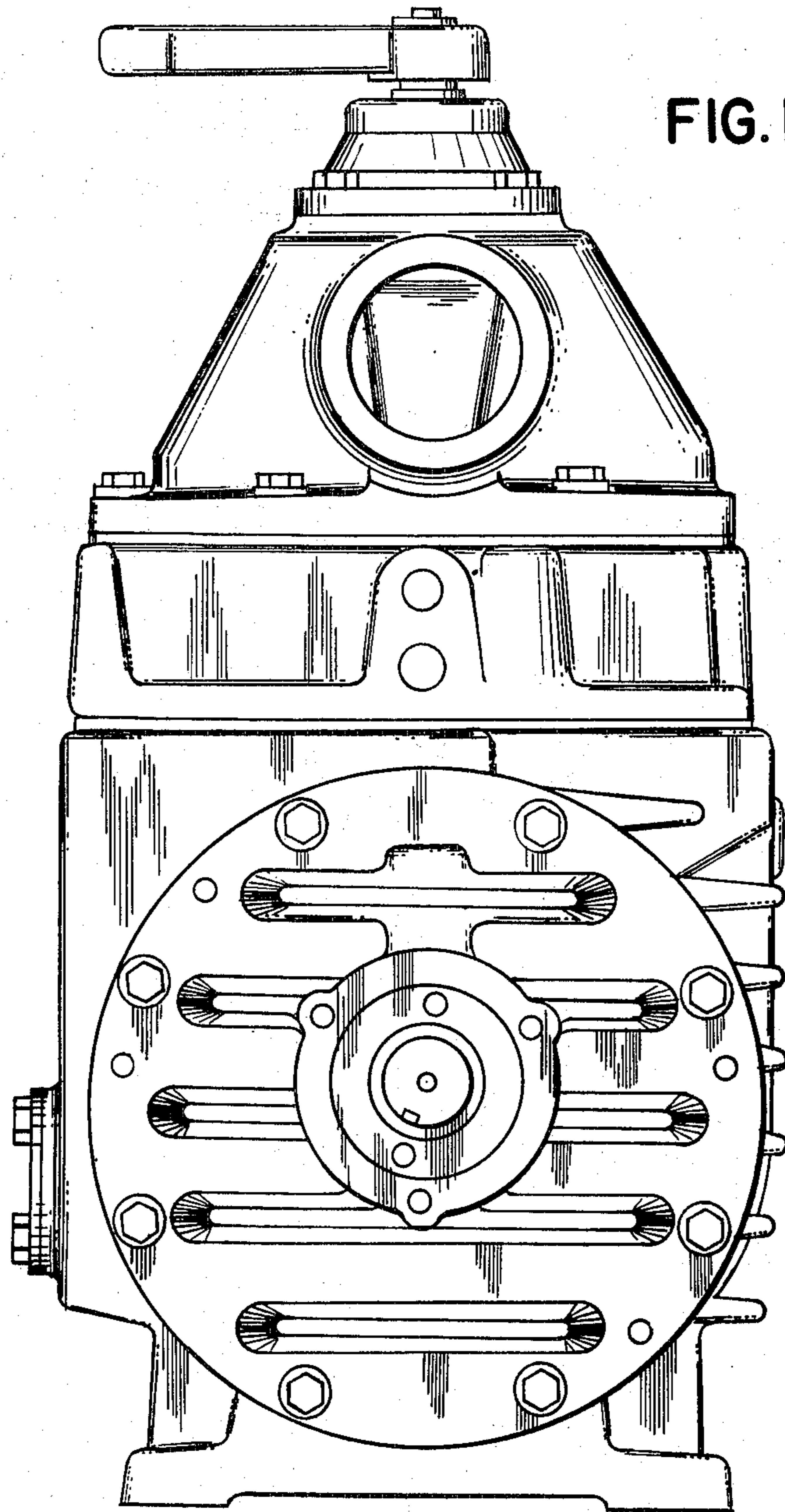


FIG. 1

FIG. 2

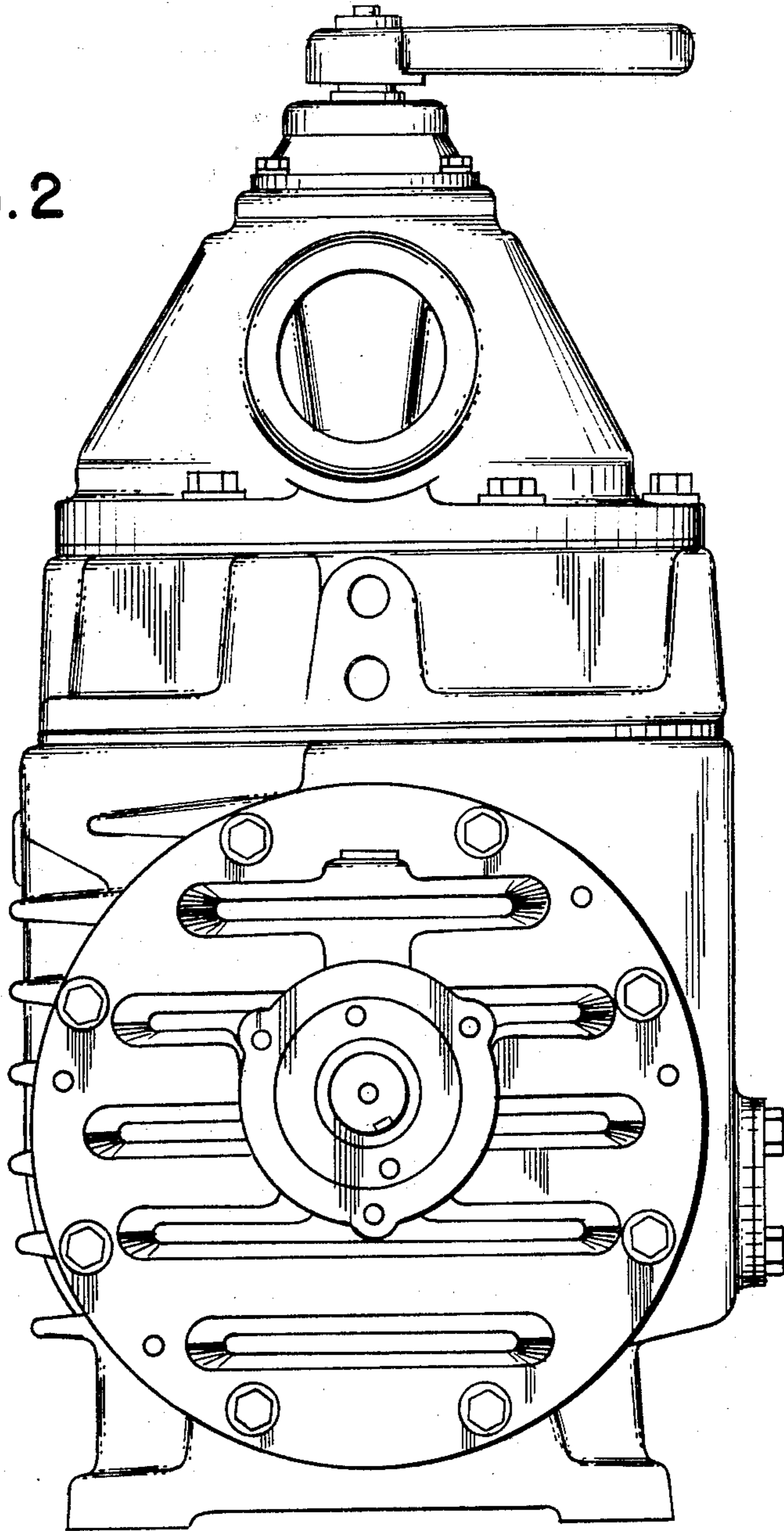
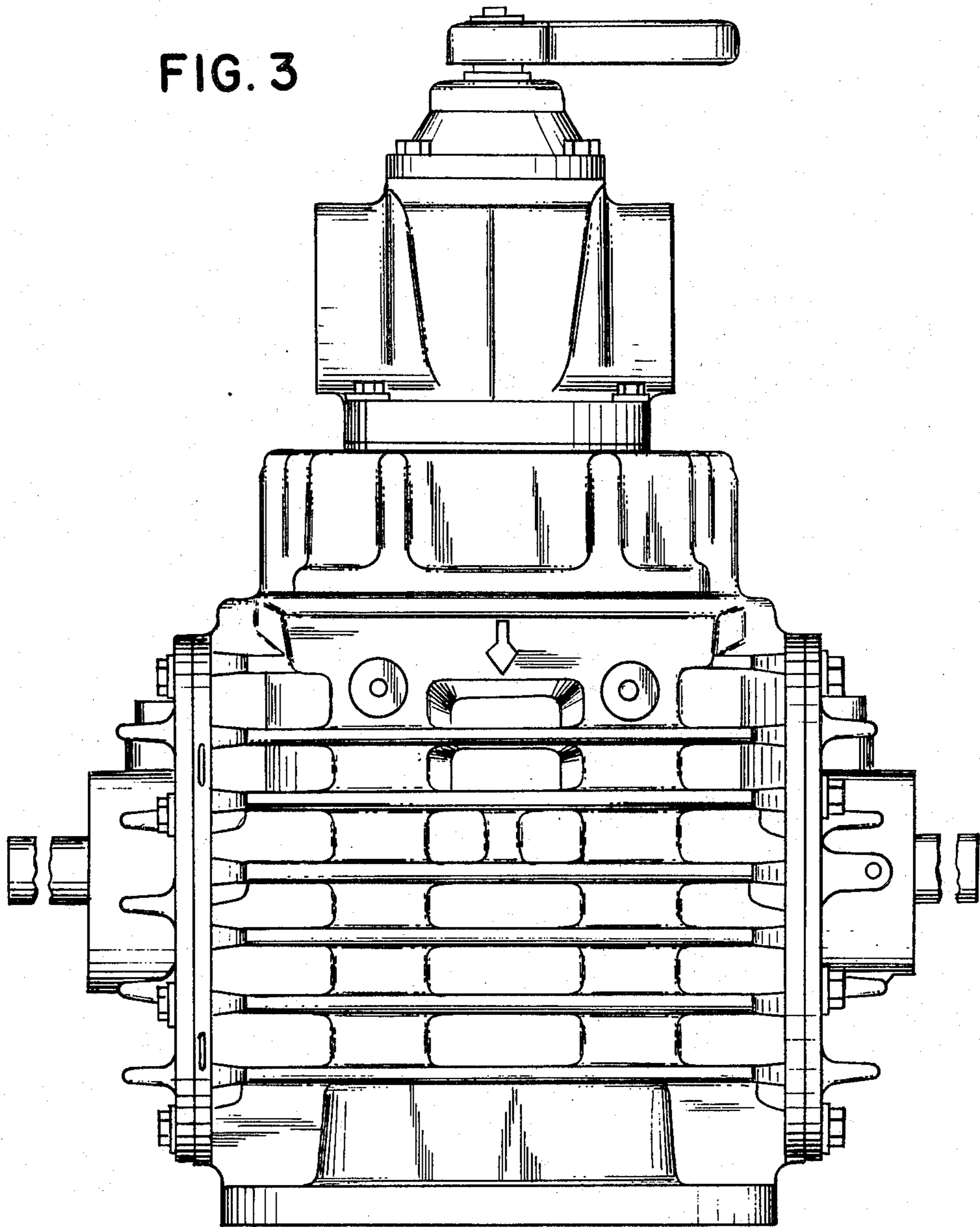


FIG. 3



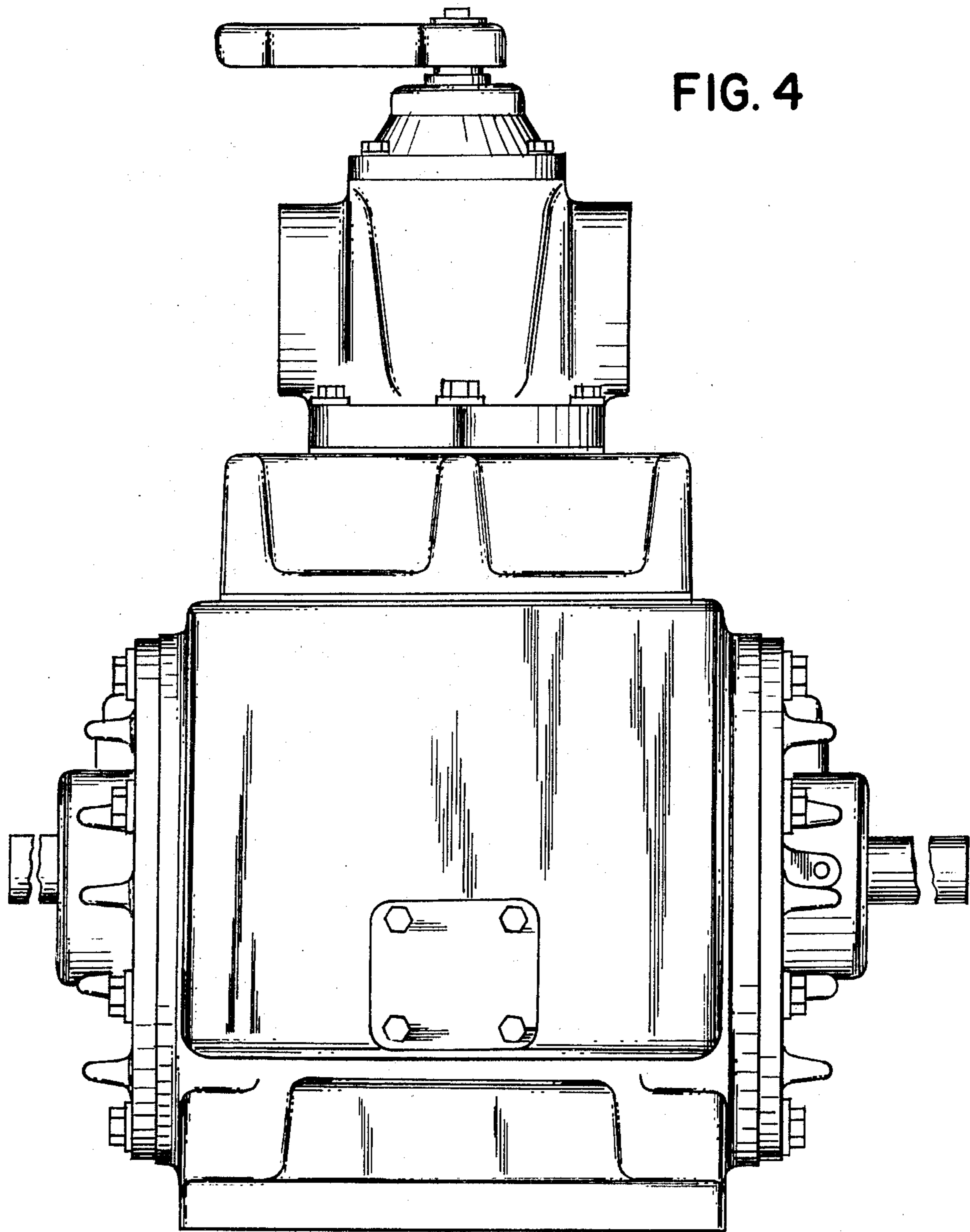


FIG. 4

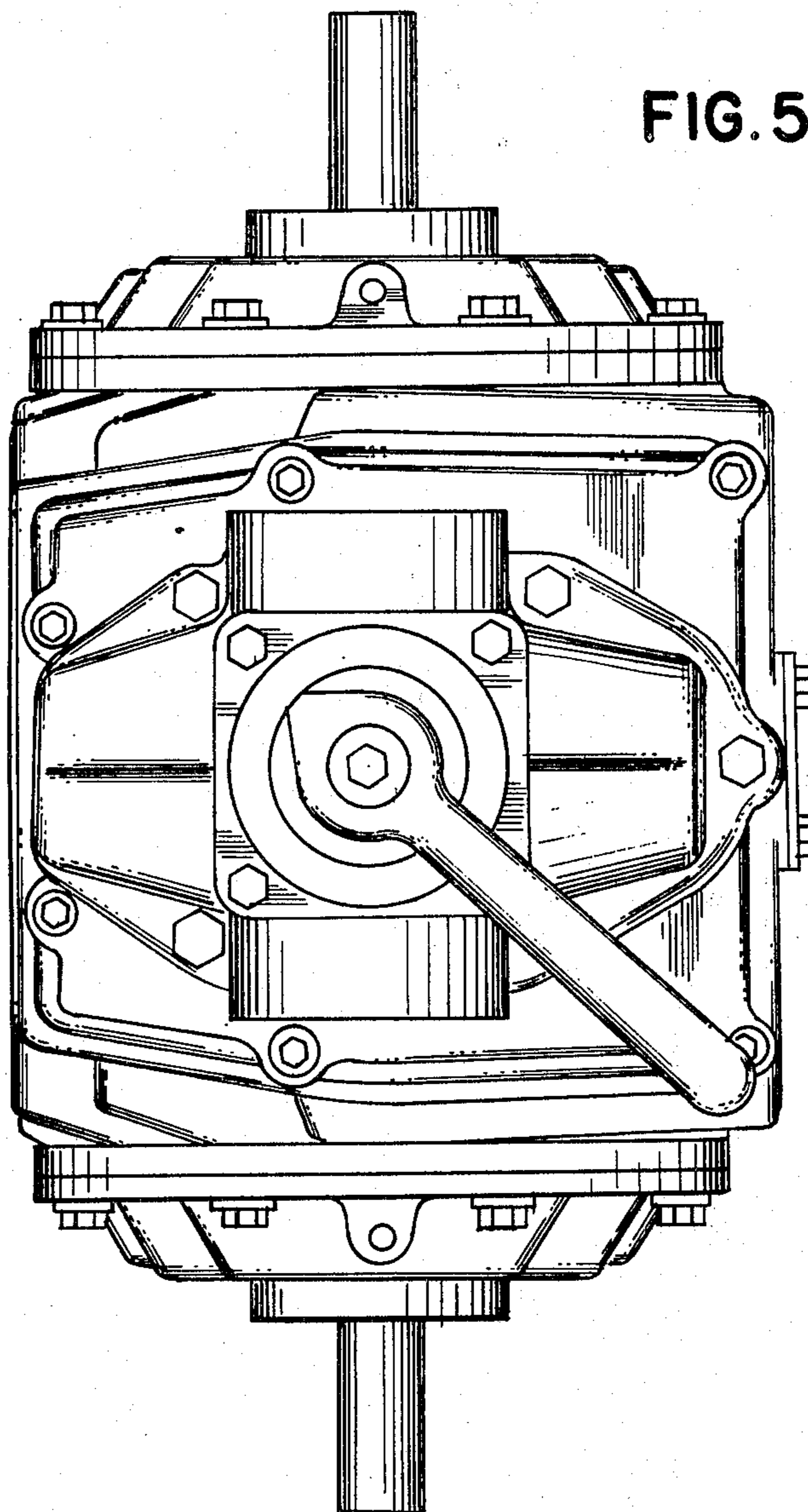


FIG. 5

FIG. 6

