

[54] VIDEO TAPE RECORDER

[75] Inventors: Masamitsu Shibata, Matsudo; Hiroshi Yamamoto, Tokyo, both of Japan

[73] Assignee: Victor Company of Japan, Limited, Yokohama, Japan

[**] Term: 14 Years

[21] Appl. No.: 374,762

[22] Filed: May 4, 1982

[52] U.S. Cl. D14/2; D14/6; D14/77; D14/84

[58] Field of Search D14/1, 2, 6, 10, 14, D14/25, 99, 77-79, 84

[56] References Cited

U.S. PATENT DOCUMENTS

- D. 258,057 1/1981 Takanaga et al. D14/2
- D. 261,263 10/1981 Kurokawa et al. D14/6 X
- D. 263,583 3/1982 Kawaii D14/2

OTHER PUBLICATIONS

High Fidelity, 4-81, p. A7, Toshiba V-8035. Sanyo Ad in 7-27-81, *Retailing Home Furnishings*, Upper item between left-most front item, VCR 4300, & Safe, with handle pivoted forward & down.

Primary Examiner—Jane E. Corrigan
Attorney, Agent, or Firm—Cushman, Darby & Cushman

[57] CLAIM

The ornamental design for a video tape recorder, as shown and described.

DESCRIPTION

FIG. 1 is a front, top and right side perspective view of a video tape recorder showing our new design; FIG. 2 is a view like FIG. 1 with the front operation panel slide cover moved to closed position; FIG. 3 is a front elevational view thereof with the front operation panel slide cover moved to open position; FIG. 4 is a top plan view thereof; FIG. 5 is a rear elevational view thereof; FIG. 6 is a bottom plan view thereof; FIG. 7 is a left side elevational view thereof; and FIG. 8 is a right side elevational view thereof.

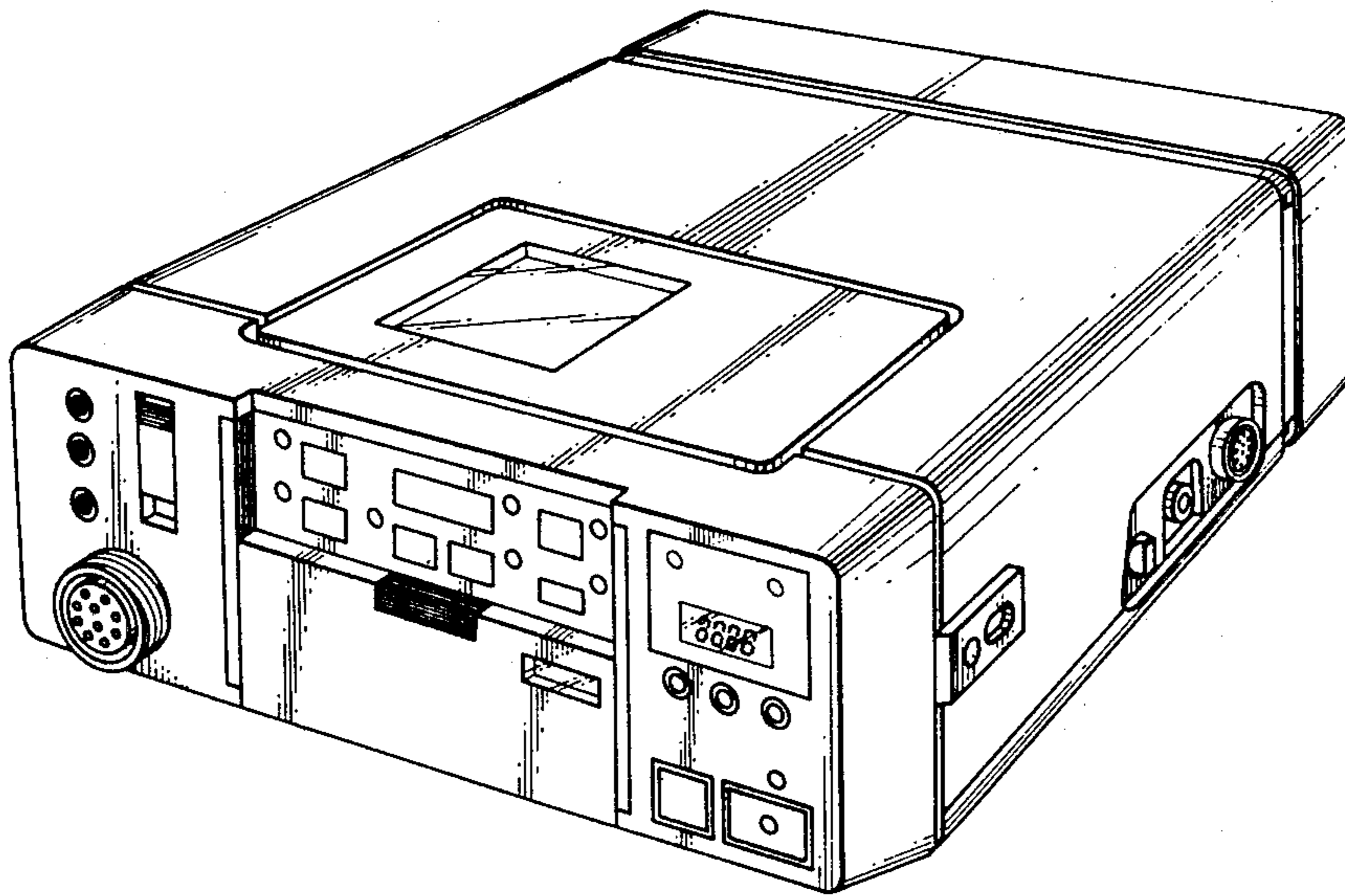


FIG. 1

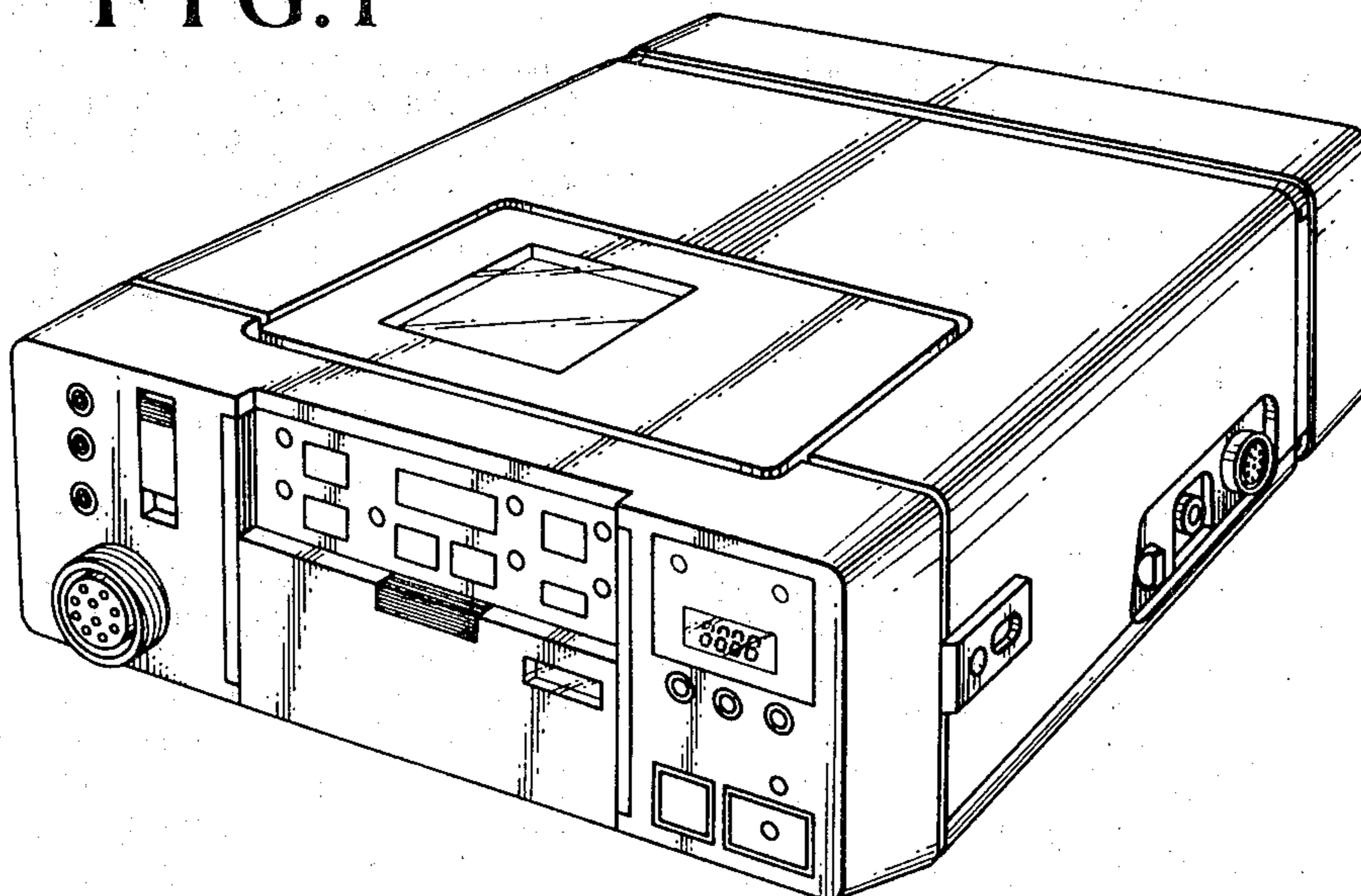


FIG. 2

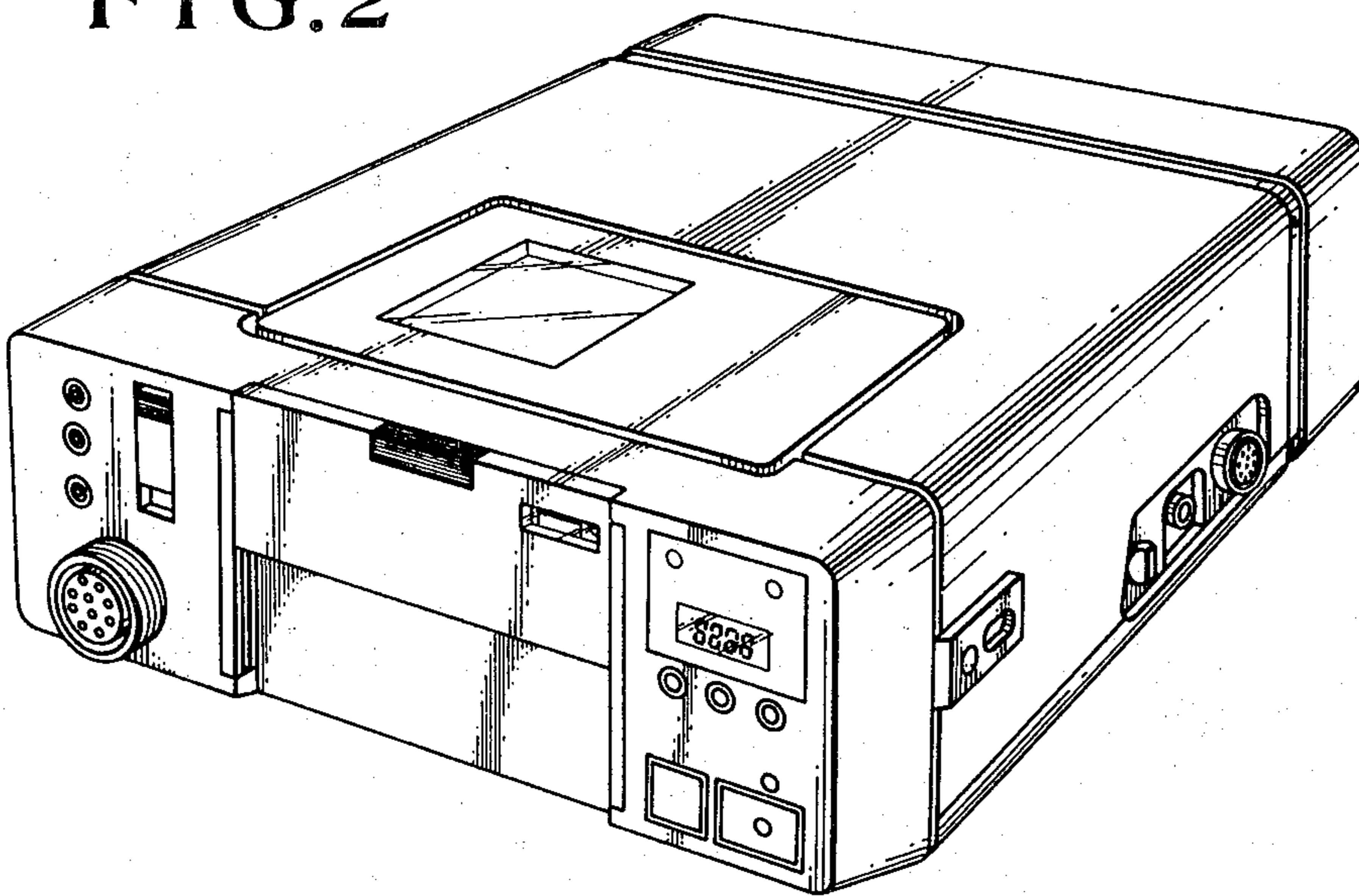


FIG.3

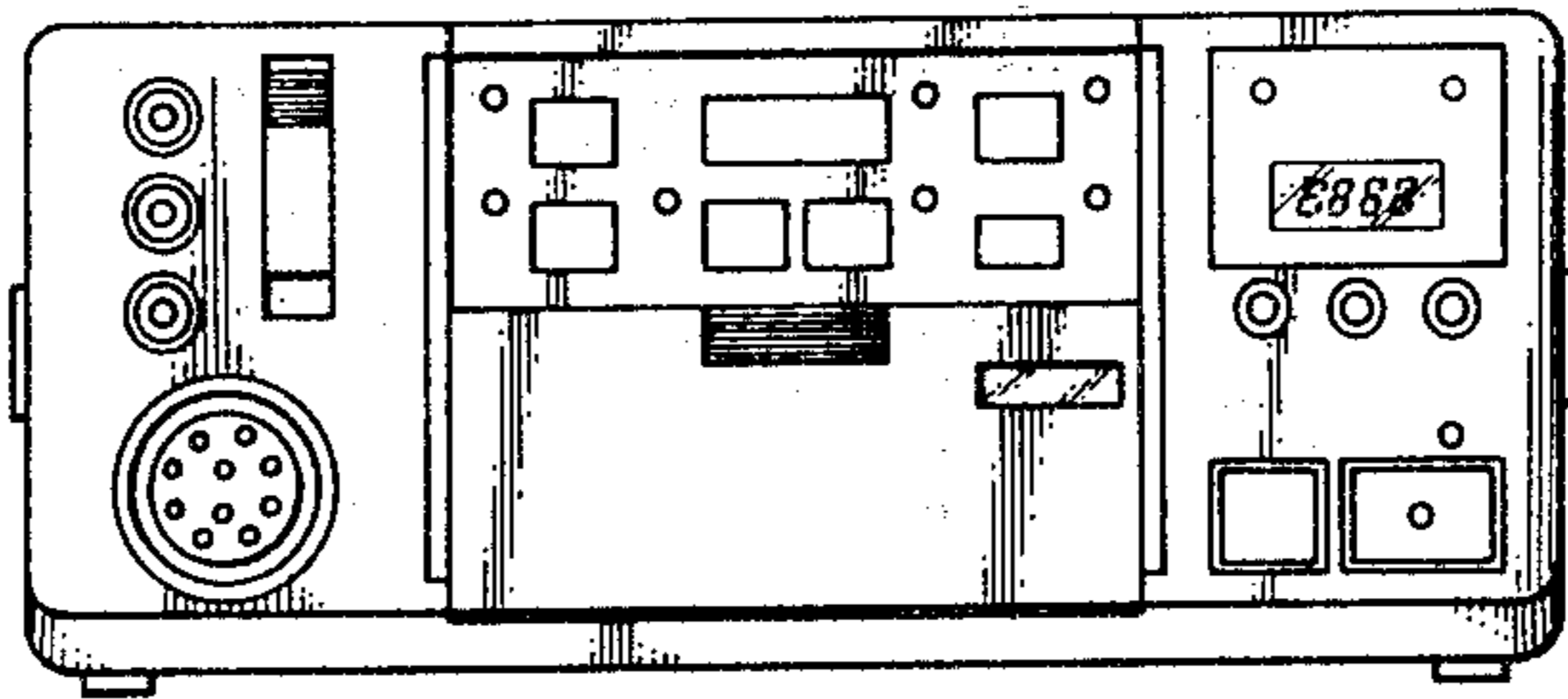


FIG.4

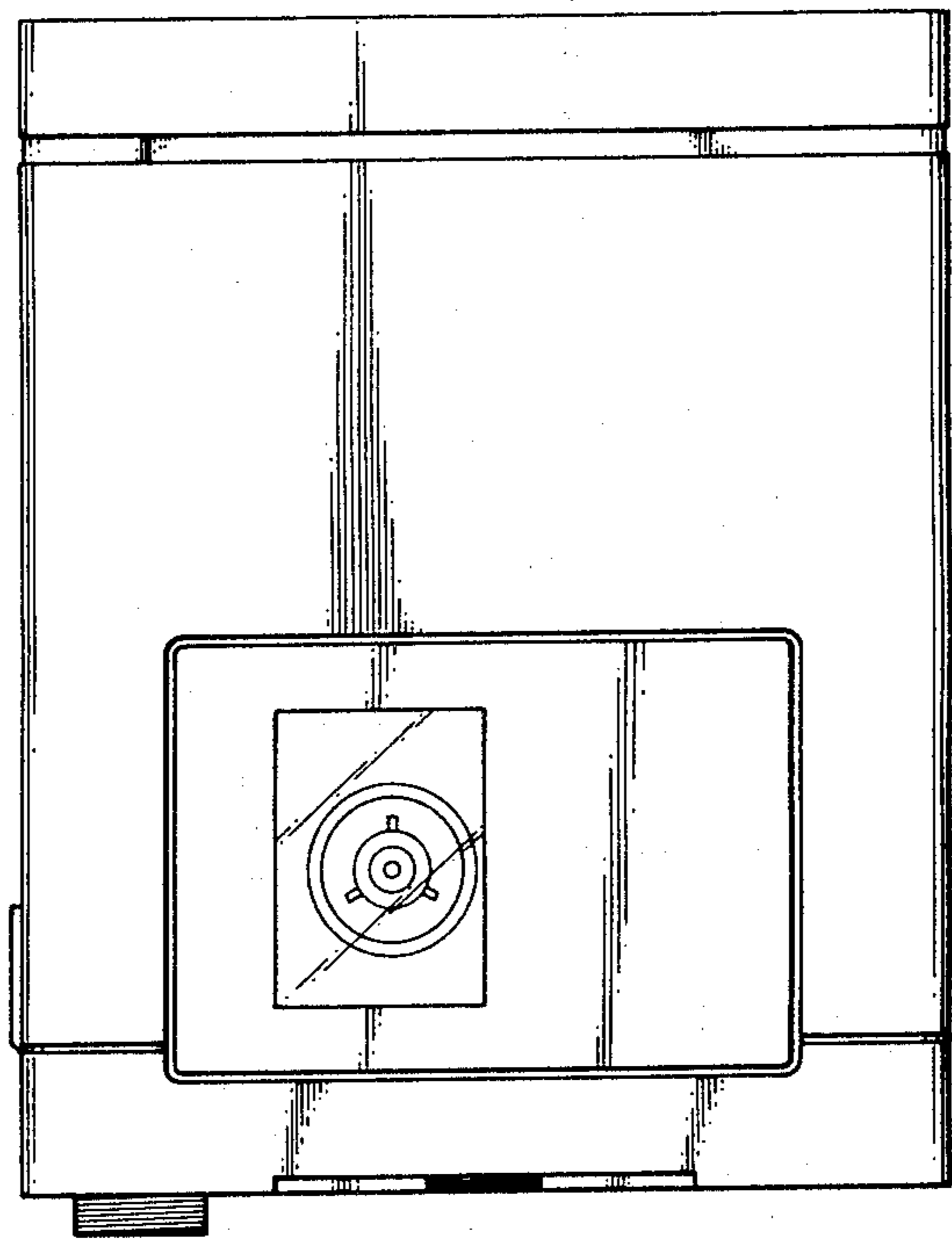


FIG.5

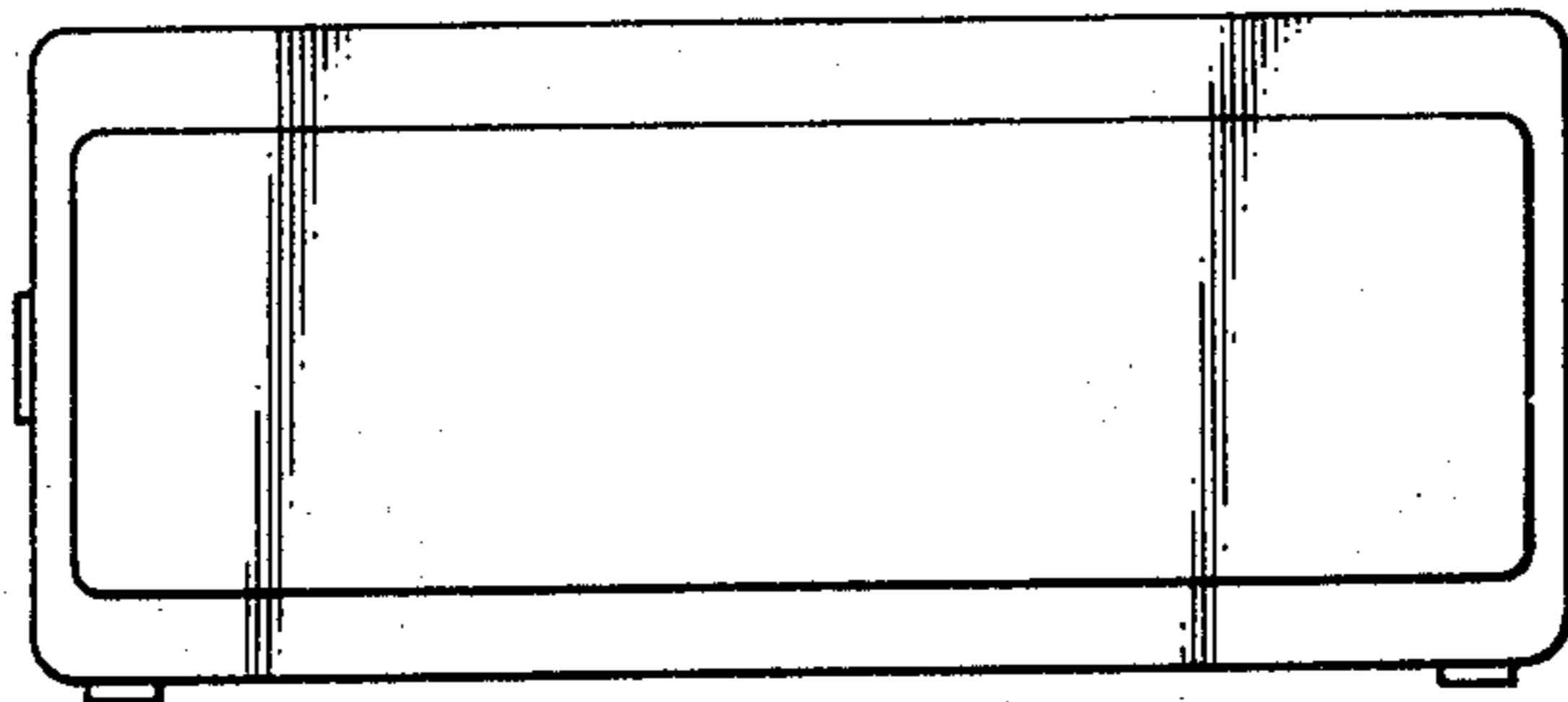


FIG.6

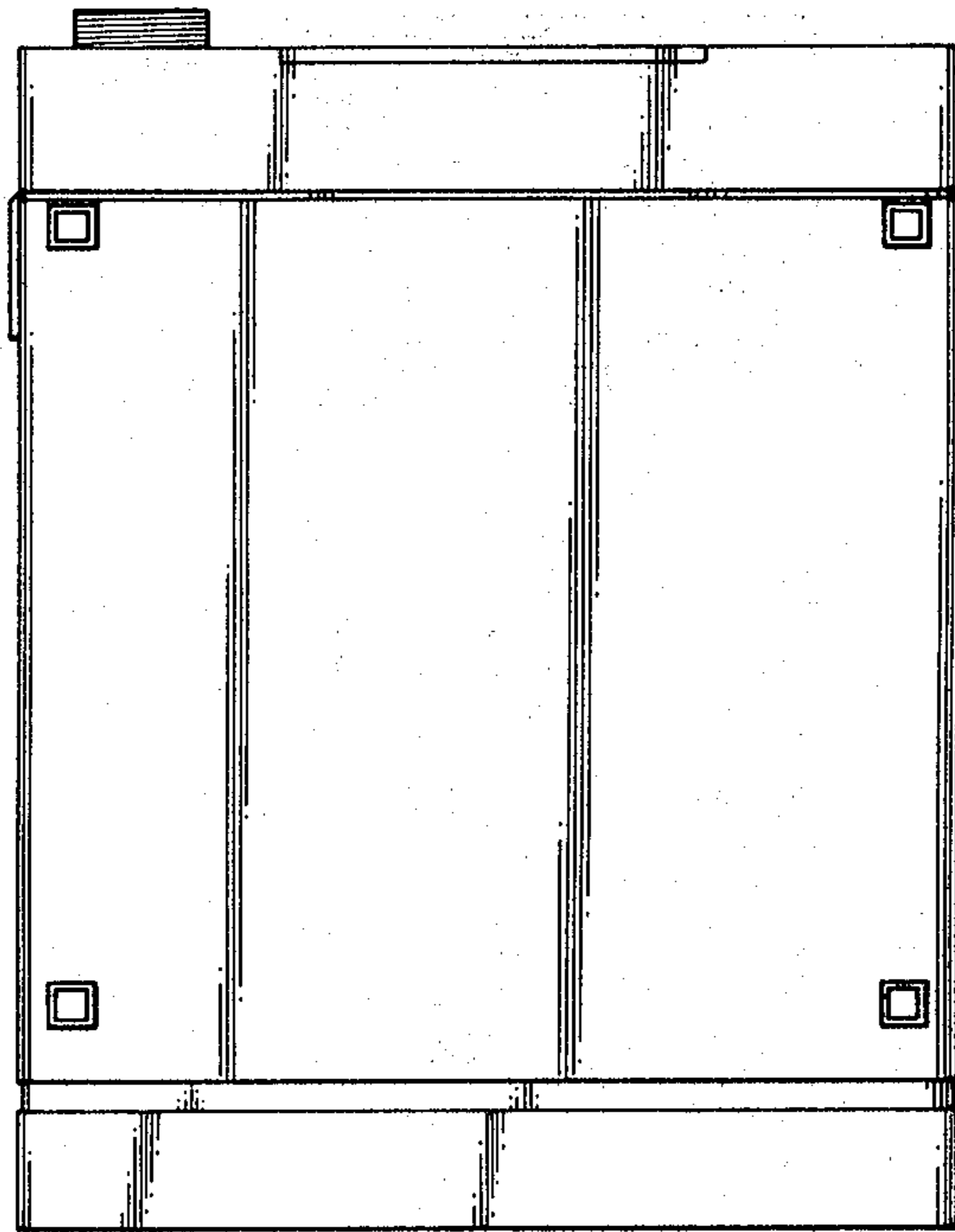


FIG.7

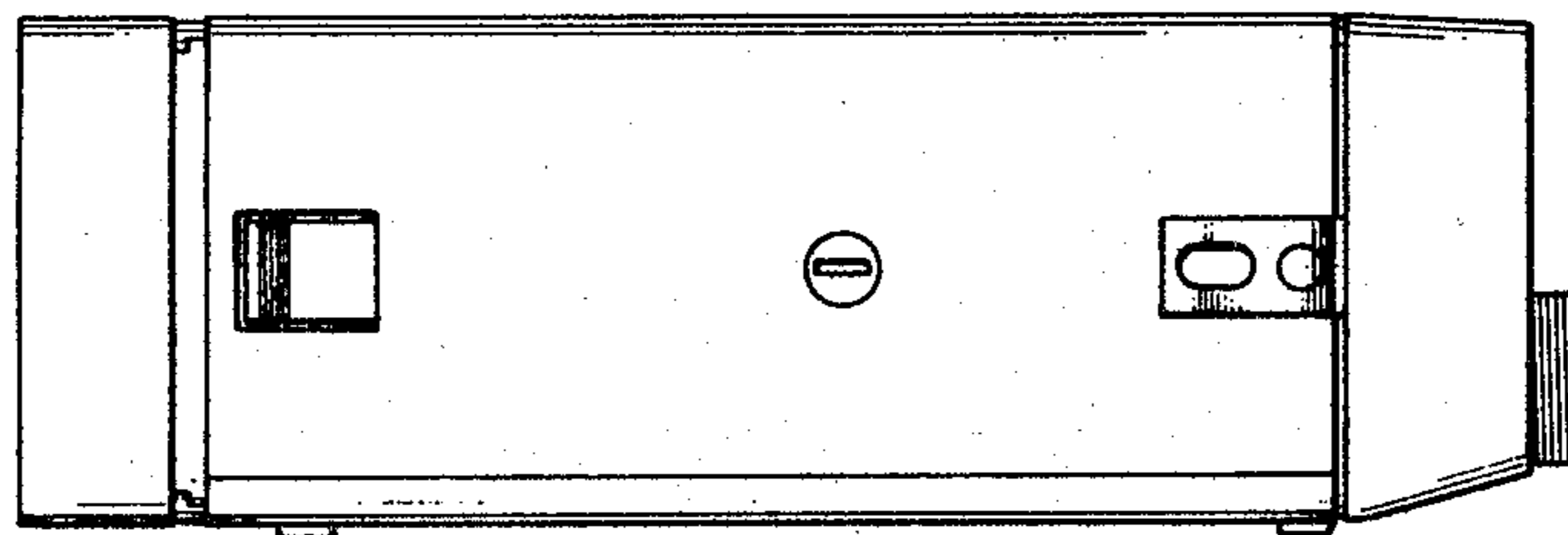


FIG.8

