

[54] BURGLAR AND SMOKE TRAVEL ALARM

[75] Inventor: Frederic W. Schwartz, Providence, R.I.

[73] Assignee: Cable Electric Products, Inc., Providence, R.I.

[\*\*] Term: 14 Years

[21] Appl. No.: 369,728

[22] Filed: Apr. 19, 1982

[52] U.S. Cl. .... D10/106

[58] Field of Search ..... D10/104, 106; 340/541-547, 551-552, 555-556, 565-566, 577, 579, 584, 586, 627, 629, 630; 116/4-9, 67 R, 75, 77, 85-86, 107, 112, 214, 216, 137 R, 141, 142 R, 147, 148-149, 166, DIG. 38, DIG. 44

[56] References Cited

U.S. PATENT DOCUMENTS

- D. 259,255 5/1981 Mengies et al. .... D10/106
- D. 260,741 9/1981 Lam ..... D10/106

- 3,878,539 4/1975 Gooding ..... 340/546
- 4,358,760 11/1982 Palmer ..... 340/586

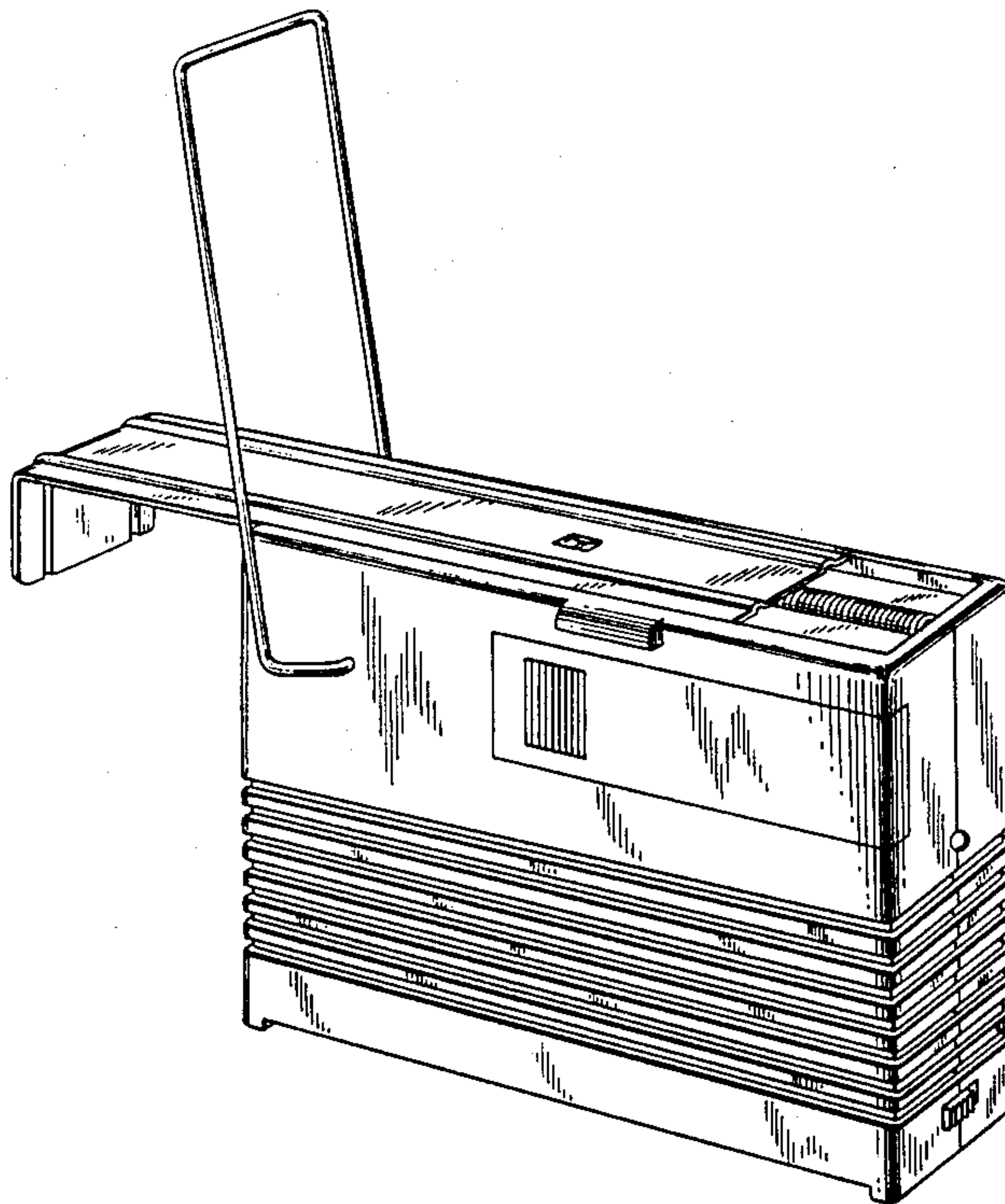
Primary Examiner—Wallace R. Burke  
Assistant Examiner—Suzanne N. Gitlin  
Attorney, Agent, or Firm—Paul J. Sutton

[57] CLAIM

The ornamental design for a burglar and smoke travel alarm, as shown and described.

DESCRIPTION

FIG. 1 is a front perspective view shown in extended position of a burglar and smoke travel alarm showing my new design;  
 FIG. 2 is a top plan view shown in closed position;  
 FIG. 3 is a front elevational view thereof;  
 FIG. 4 is a side elevational view taken from the right of FIG. 1;  
 FIG. 5 is a rear elevational view thereof;  
 FIG. 6 is a side elevational view taken from the left of FIG. 1;  
 FIG. 7 is a bottom plan view thereof.



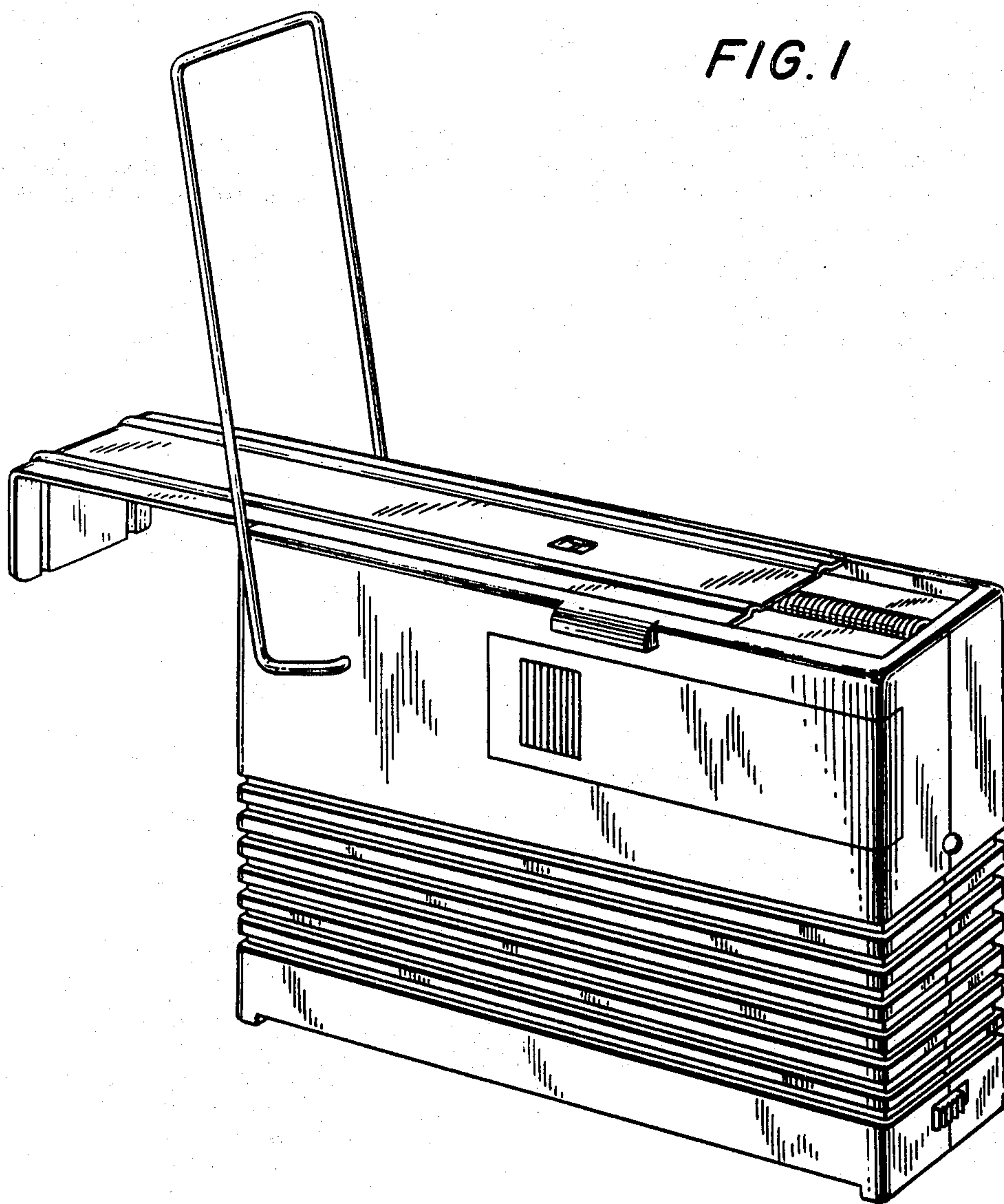


FIG. 1

FIG. 2

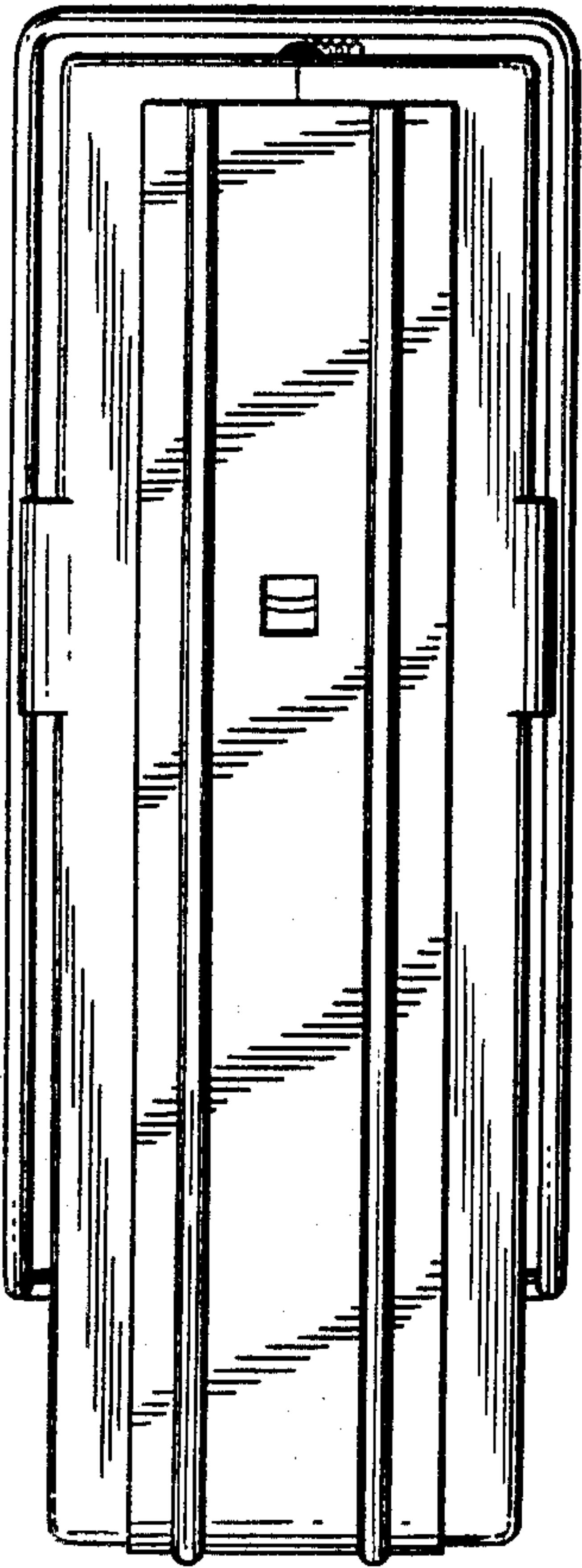


FIG. 3

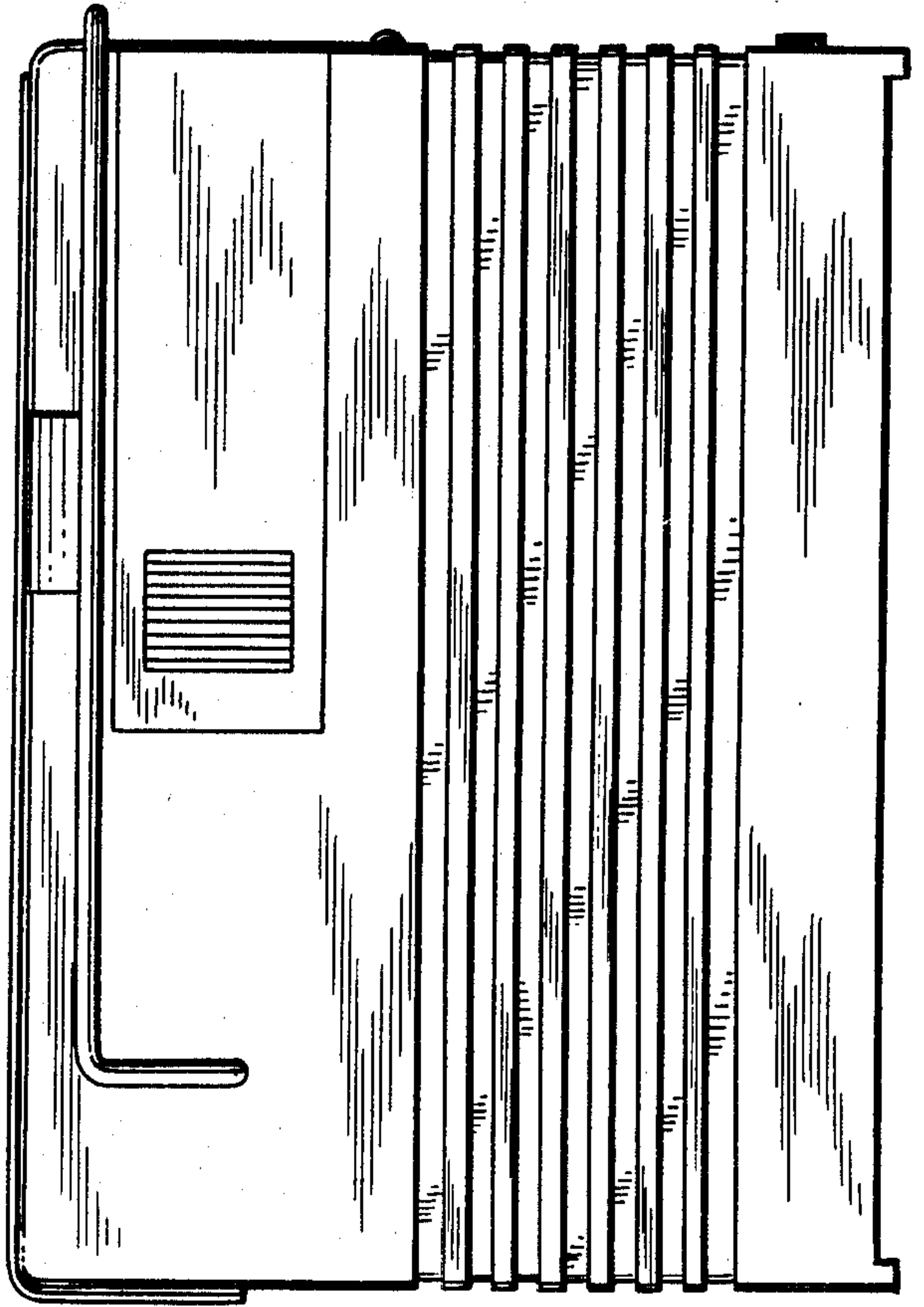


FIG. 4

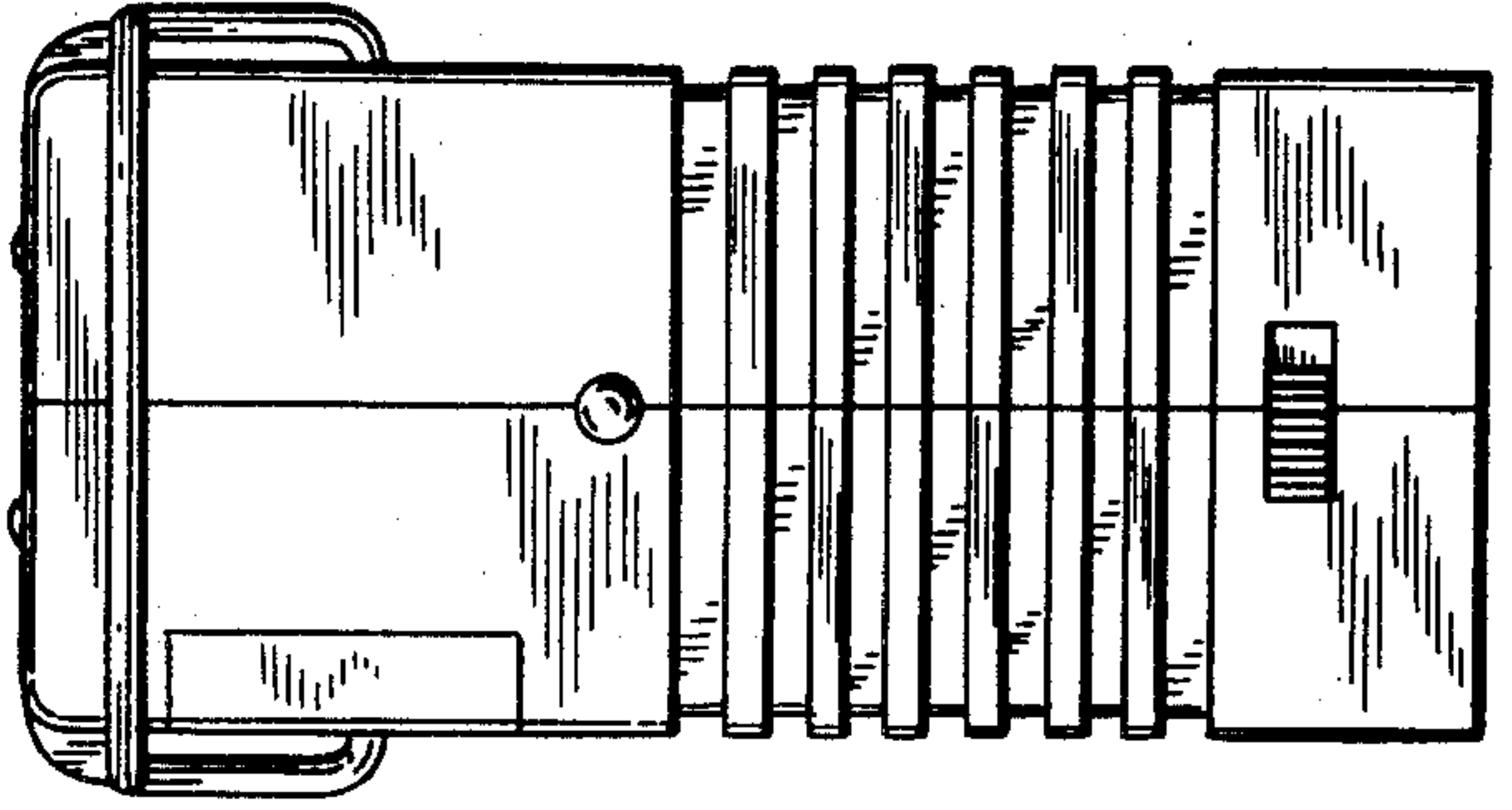




FIG. 5

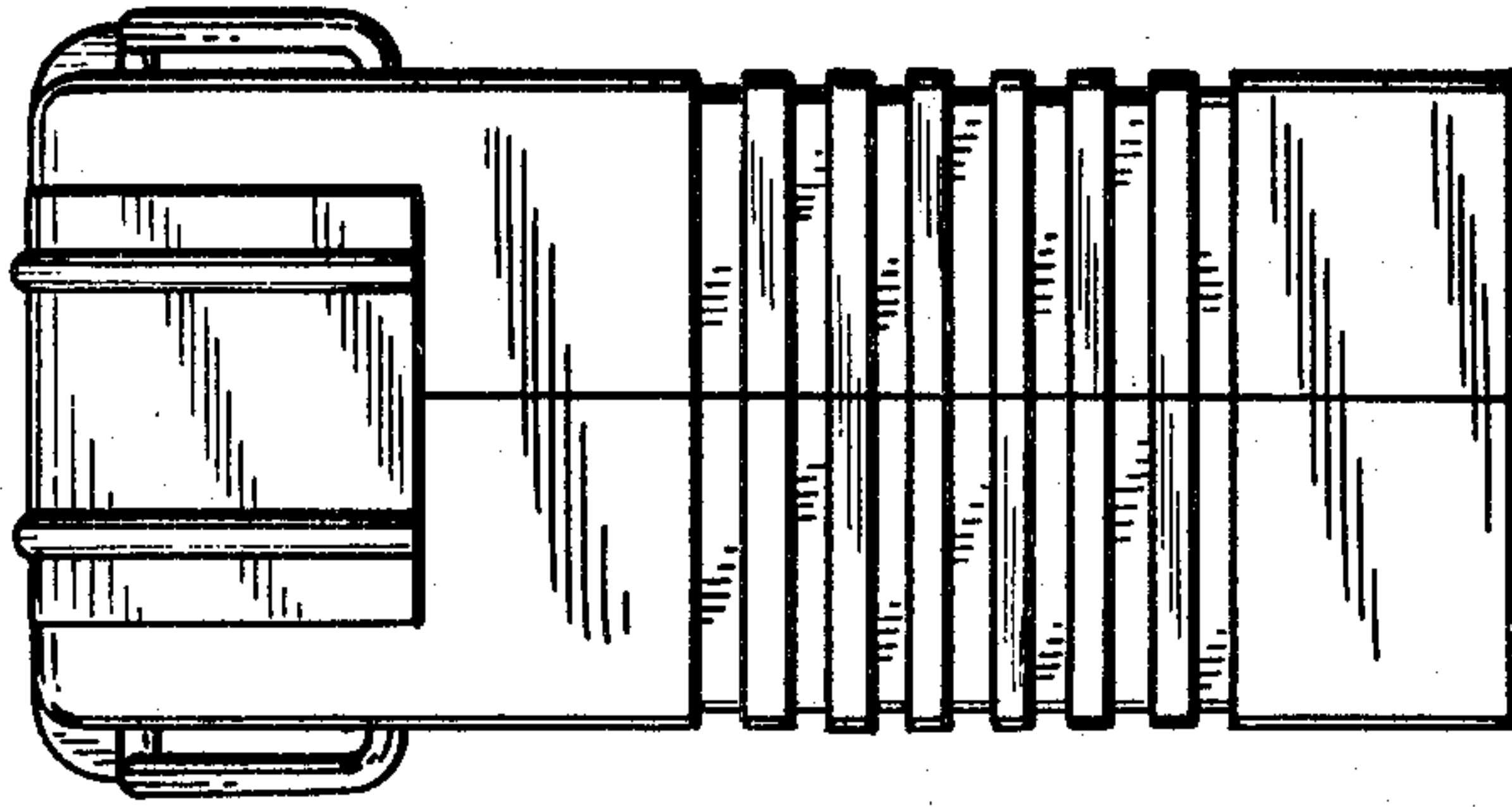
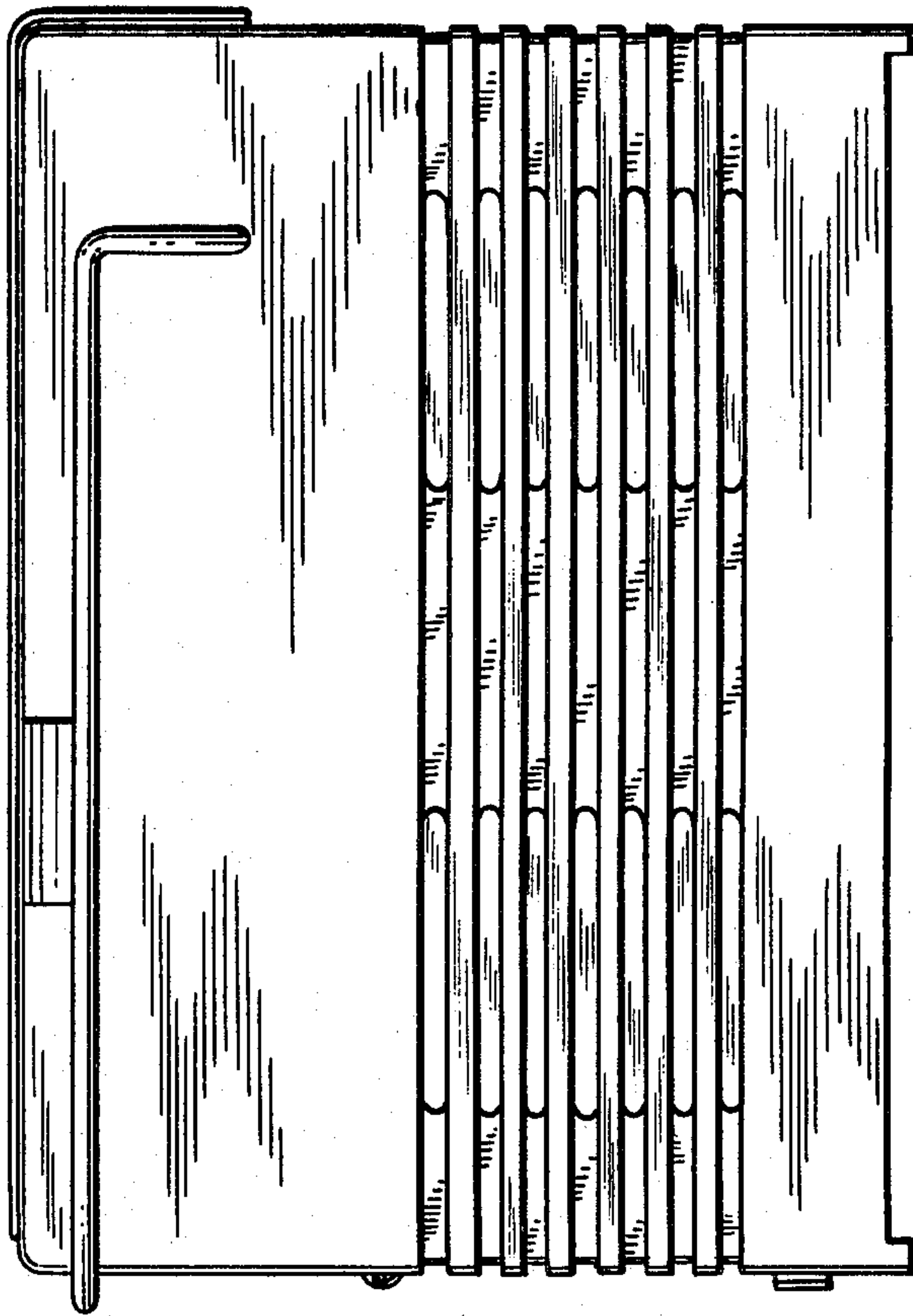


FIG. 6

FIG. 7

